



US00D679049S

(12) **United States Design Patent**
Hashimoto

(10) **Patent No.:** **US D679,049 S**
(45) **Date of Patent:** **** Mar. 26, 2013**

(54) **LIGHT EMITTING DIODE LAMP**
(75) Inventor: **Naotaka Hashimoto**, Osaka (JP)
(73) Assignee: **Panasonic Corporation**, Osaka (JP)
(**) Term: **14 Years**
(21) Appl. No.: **29/378,207**
(22) Filed: **Nov. 1, 2010**

(30) **Foreign Application Priority Data**
Aug. 31, 2010 (JP) 2010-020935
Aug. 31, 2010 (JP) 2010-020936
Aug. 31, 2010 (JP) 2010-020937
(51) **LOC (9) Cl.** **26-99**
(52) **U.S. Cl.** **D26/138**
(58) **Field of Classification Search** D26/1,
D26/2, 118, 113, 138, 119, 120, 121, 122,
D26/76, 77, 75, 78, 85, 86, 89, 90, 62, 64,
D26/65, 66, 63, 73, 72, 74, 68, 71, 28, 123,
D26/124, 127, 128, 129, 134, 135, 132, 139,
D26/154, 155, 152, 149, 148, 145, 143, 142,
D26/140, 141, 153, 144, 91, 92, 29, 24, 25,
D26/26, 8, 114, 37, 87; 362/202, 347, 349,
362/362, 419, 96, 192, 145, 294, 326, 267,
362/373, 249.01–249.12; D13/102, 179,
D13/180

See application file for complete search history.

(56) **References Cited**
U.S. PATENT DOCUMENTS
D315,612 S * 3/1991 Hughes et al. D26/85
D534,665 S * 1/2007 Egawa et al. D26/2
D542,426 S * 5/2007 Itaya et al. D26/2
D548,369 S * 8/2007 Bembridge D26/2
7,482,632 B2 * 1/2009 Lu et al. 257/88
D601,278 S * 9/2009 Takahashi D26/2
D602,614 S * 10/2009 Takahashi et al. D26/2
D616,119 S * 5/2010 Wada et al. D26/2
D629,534 S * 12/2010 Song D26/2
D643,551 S * 8/2011 Murakami et al. D26/2
D645,995 S * 9/2011 Wey et al. D26/2

D645,997 S * 9/2011 Wey et al. D26/2
D646,804 S * 10/2011 Murakami et al. D26/2
D646,807 S * 10/2011 Wei D26/2
D647,636 S * 10/2011 Guohui D26/2
D648,455 S * 11/2011 Kim et al. D26/2
D648,458 S * 11/2011 Kim et al. D26/2
D648,871 S * 11/2011 Kim et al. D26/2
D648,879 S * 11/2011 Kim et al. D26/2
D652,158 S * 1/2012 Kim et al. D26/2
D660,469 S * 5/2012 Mase et al. D26/2
D661,823 S * 6/2012 Uneo et al. D26/2
D664,684 S * 7/2012 Carroll et al. D26/2
D664,685 S * 7/2012 Carroll et al. D26/2

FOREIGN PATENT DOCUMENTS

JP D1336043 7/2008
JP D1336324 7/2008
JP D1363613 6/2009
JP D1363963 6/2009

* cited by examiner

Primary Examiner — Kevin Rudzinski
(74) *Attorney, Agent, or Firm* — Brinks Hofer Gilson & Lione

(57) **CLAIM**
I claim the ornamental design for a light emitting diode lamp, as shown and described.

DESCRIPTION

FIG. 1 is a top perspective view of a light emitting diode lamp of the present invention;
FIG. 2 is a bottom perspective view thereof;
FIG. 3 is a front view thereof;
FIG. 4 is a rear view thereof;
FIG. 5 is a first side view thereof;
FIG. 6 is a second side view thereof;
FIG. 7 is a top view thereof; and,
FIG. 8 is a bottom view thereof.
The broken line showing of light emitting diode lamp is included for the purpose of illustrating environment and forms no part of the claimed design. Additionally, the unevenly broken lines in the drawings define the limits of the claimed design.

1 Claim, 8 Drawing Sheets

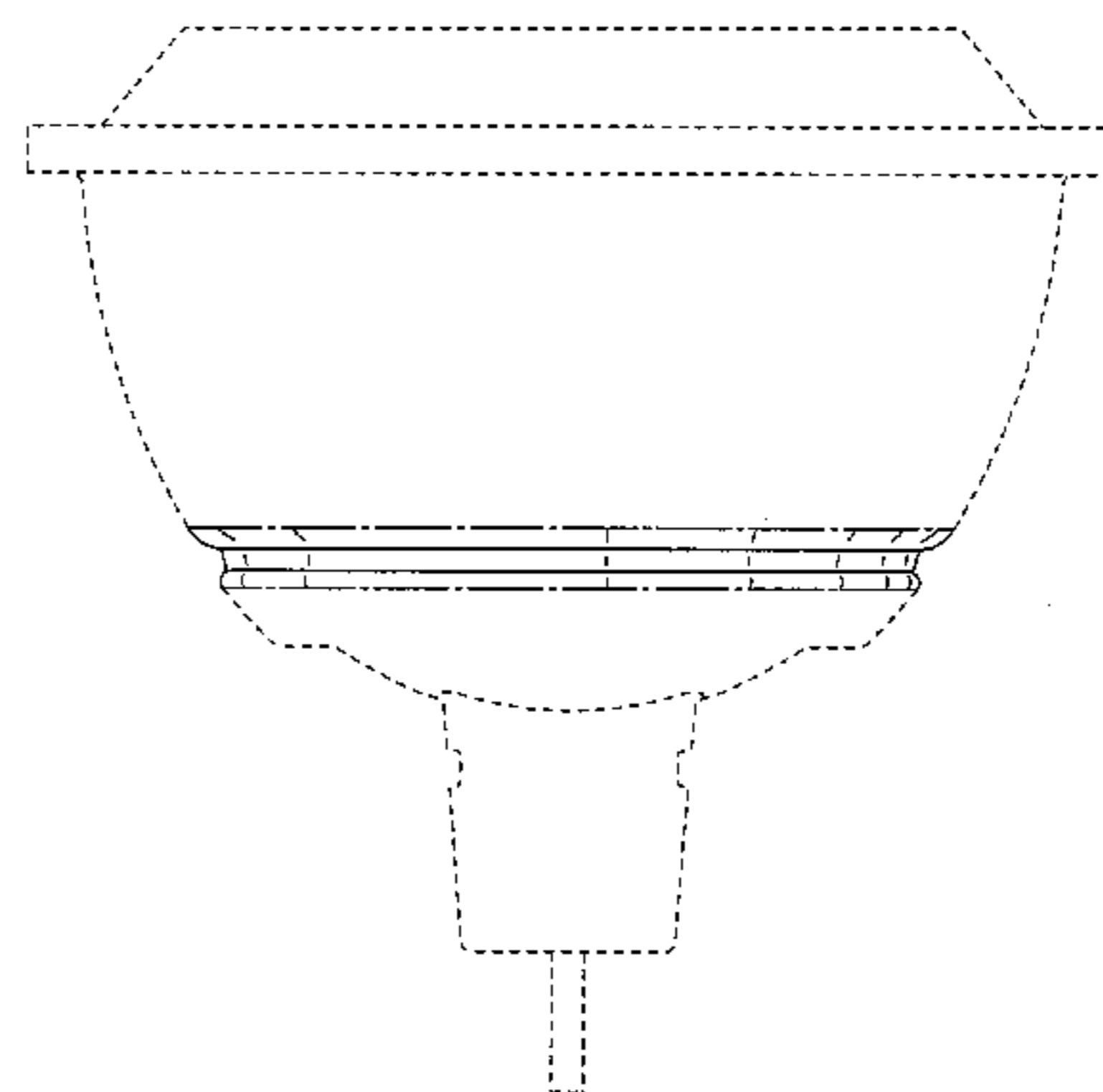
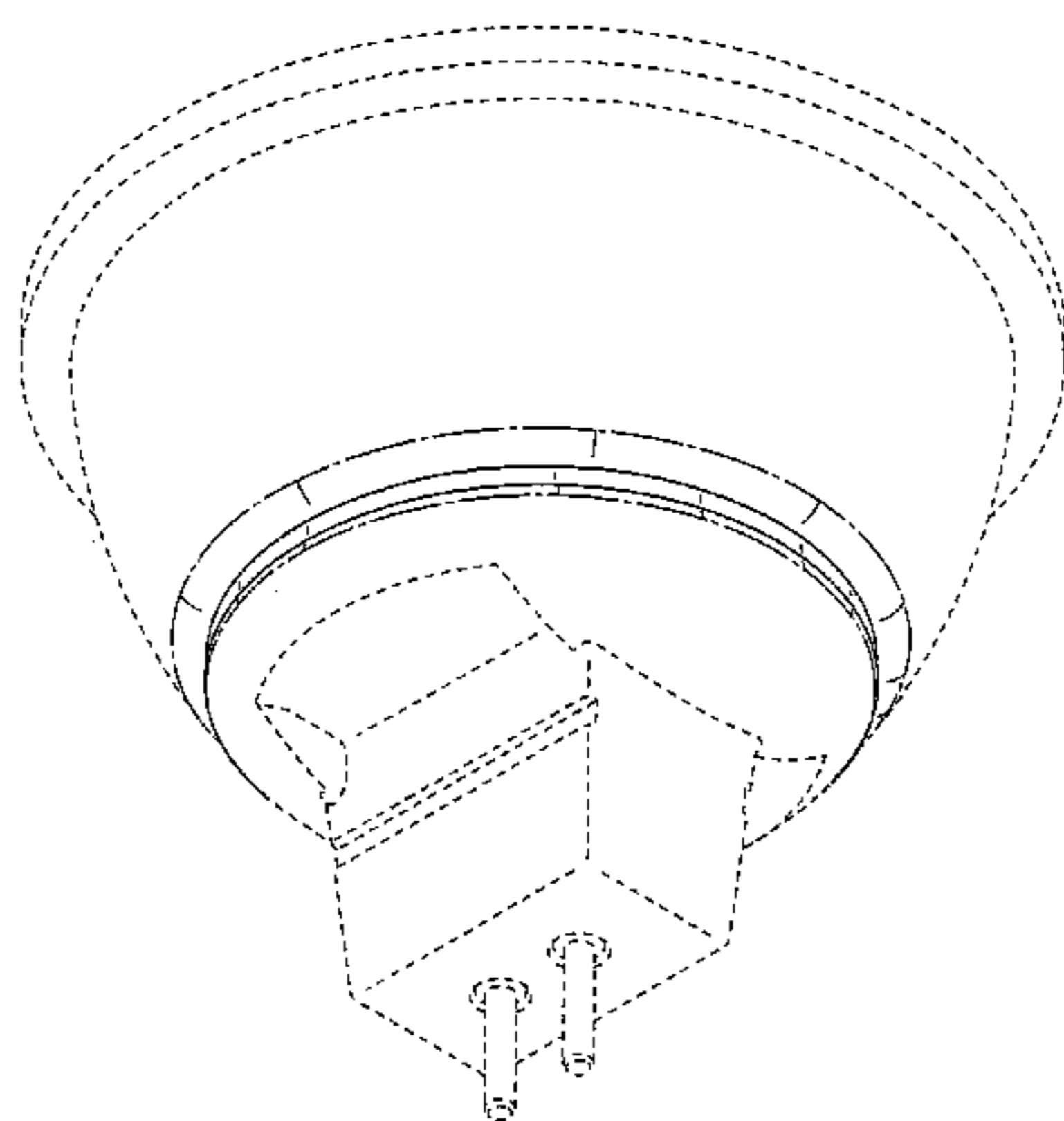


FIG.1

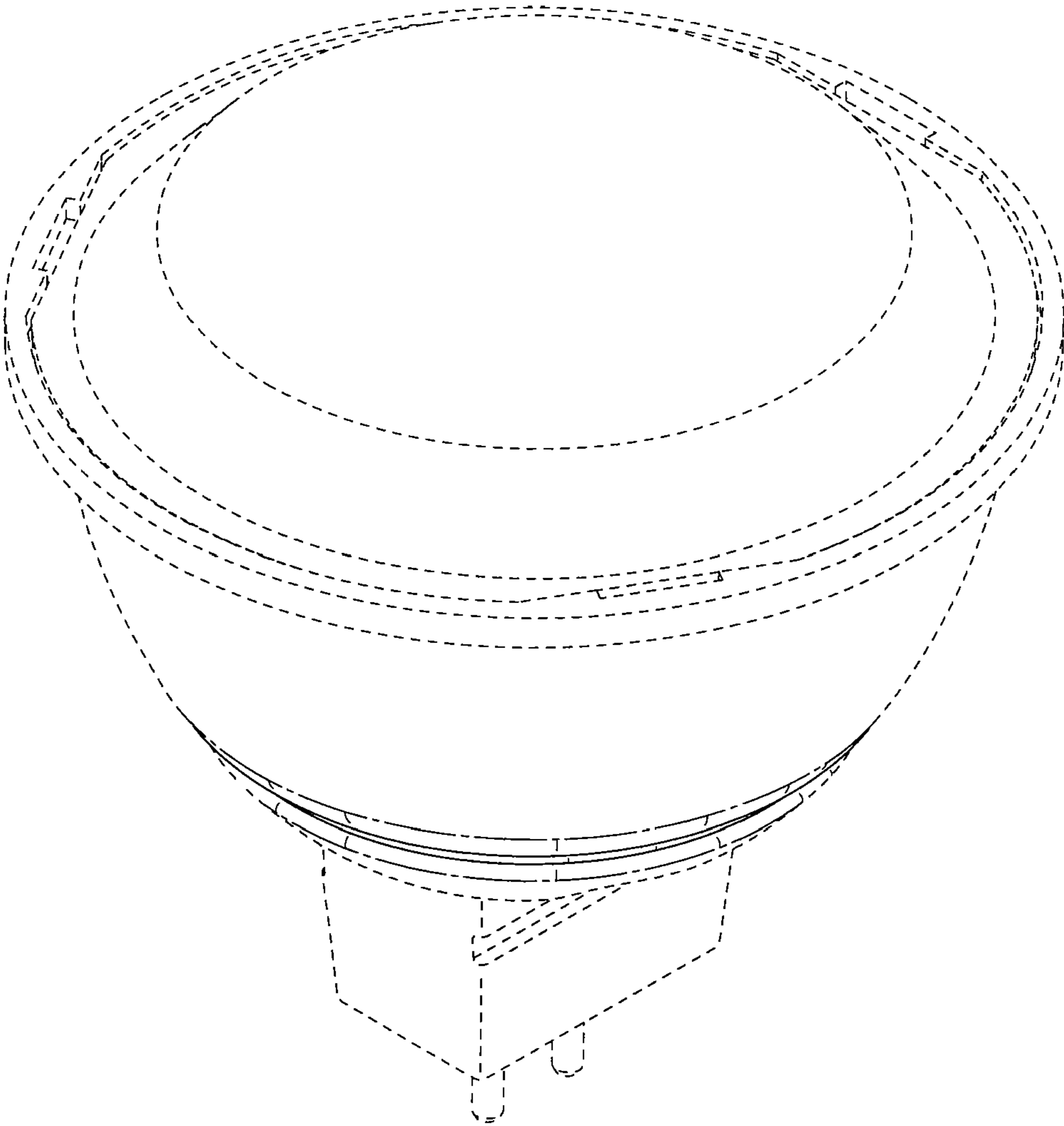


FIG.2

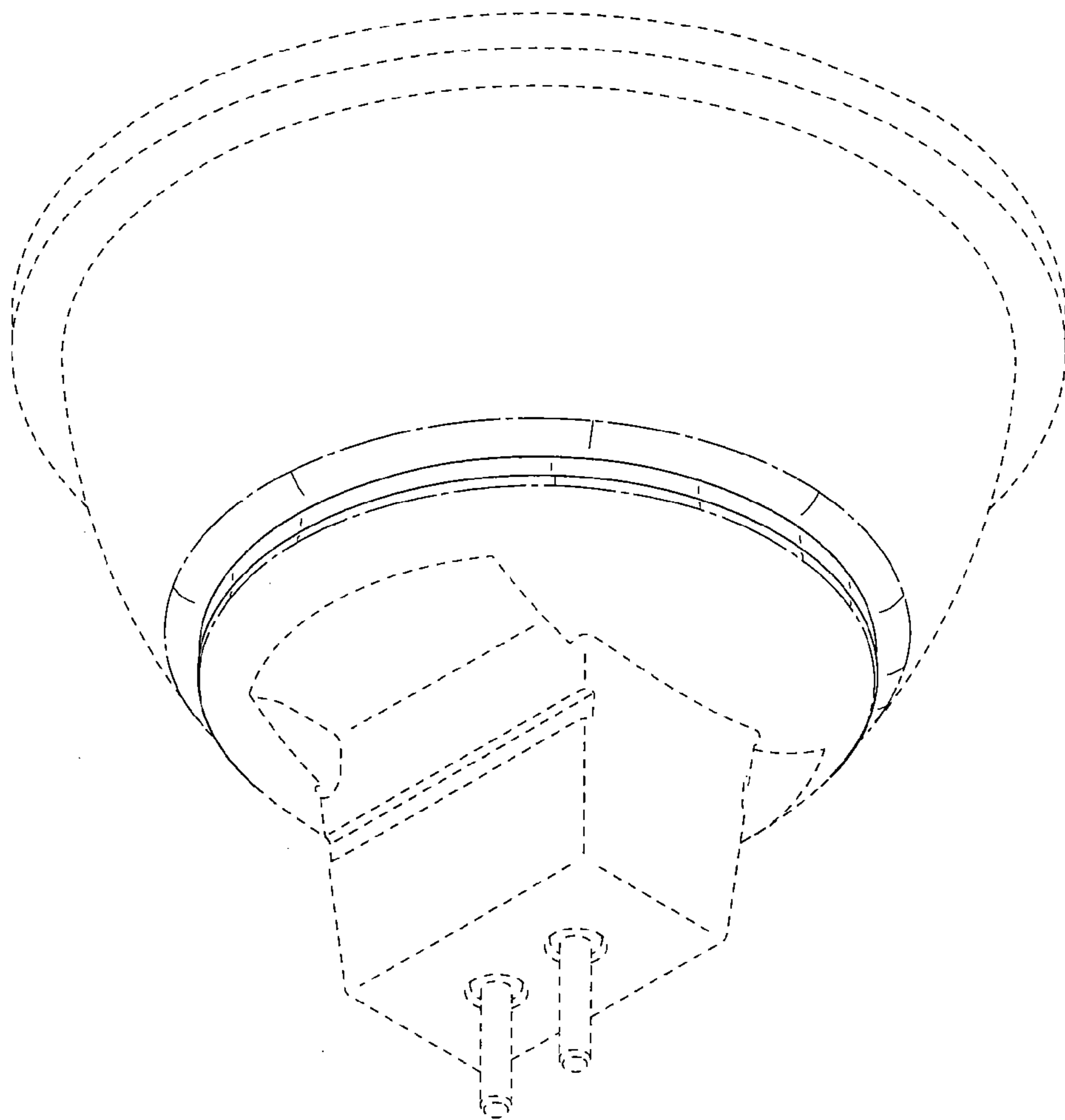


FIG.3

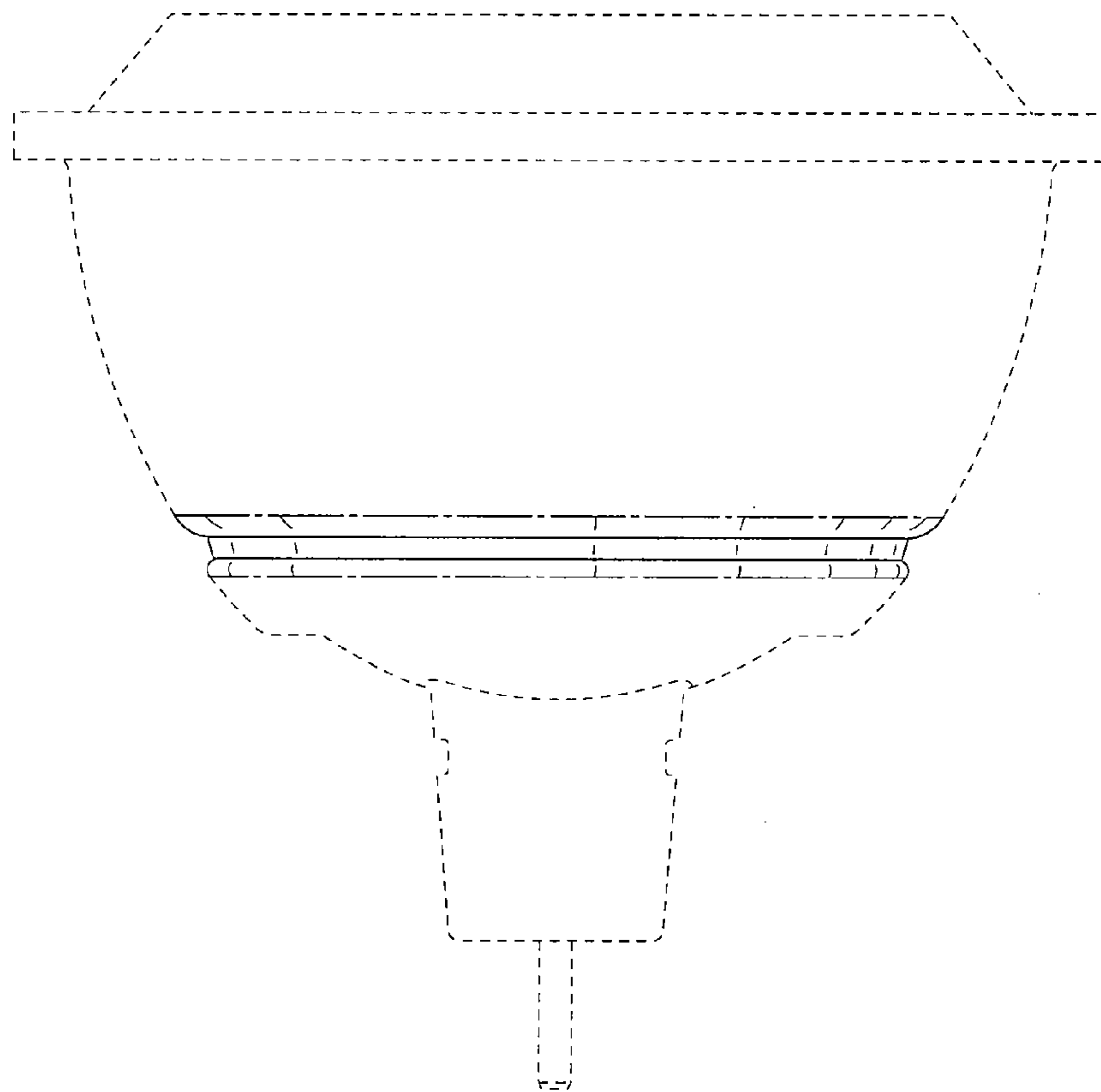


FIG.4

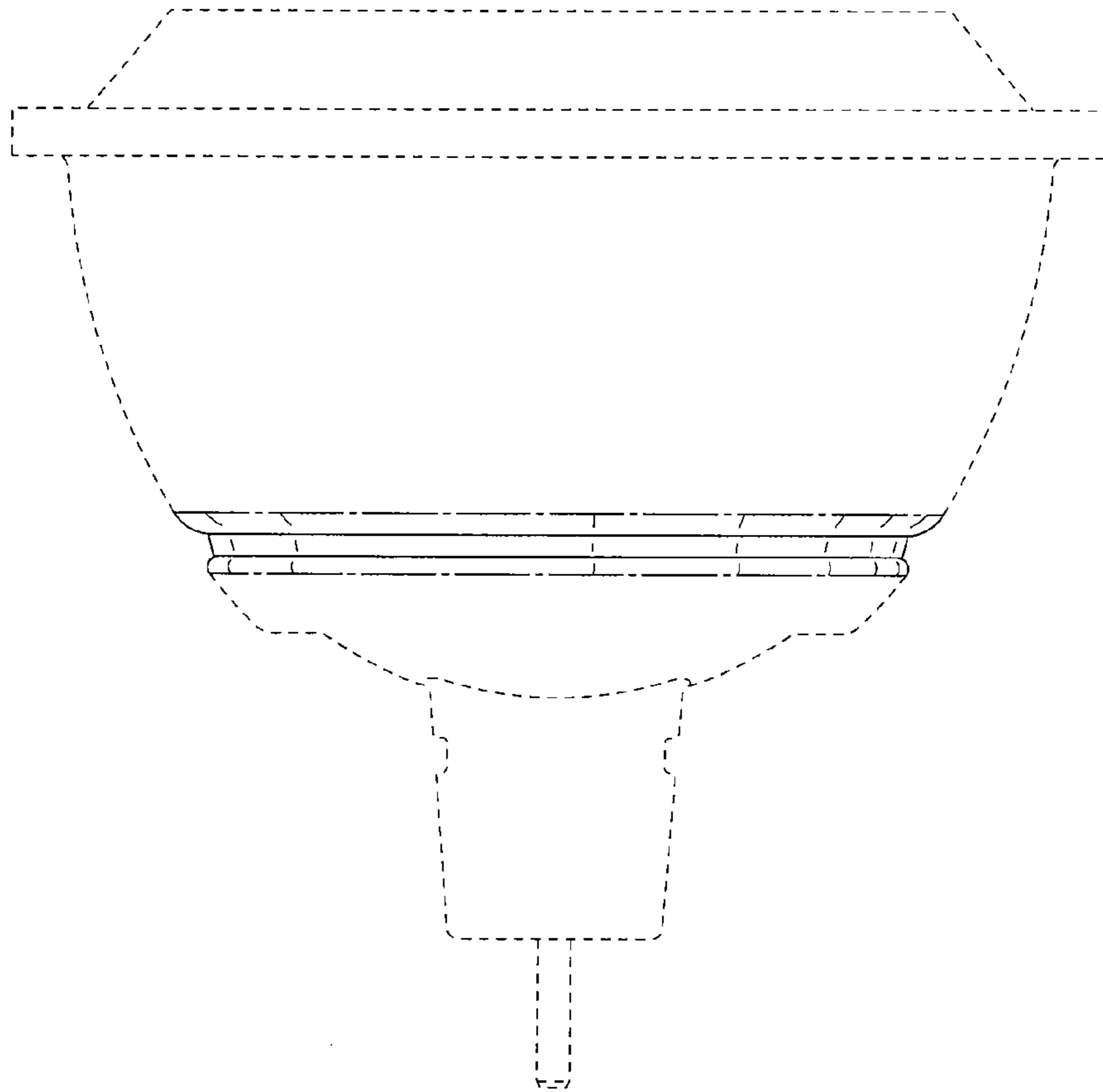


FIG.5

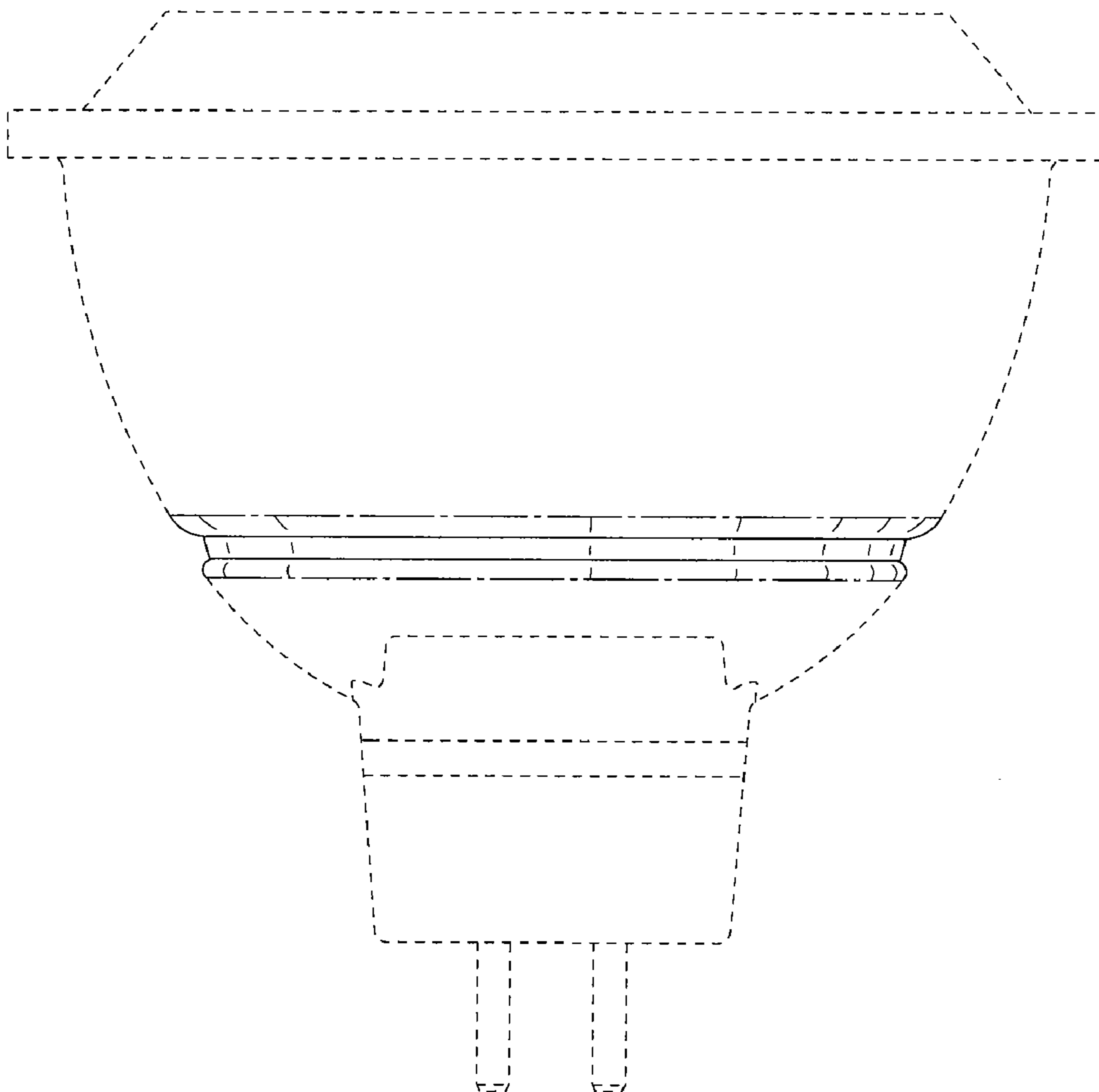


FIG.6

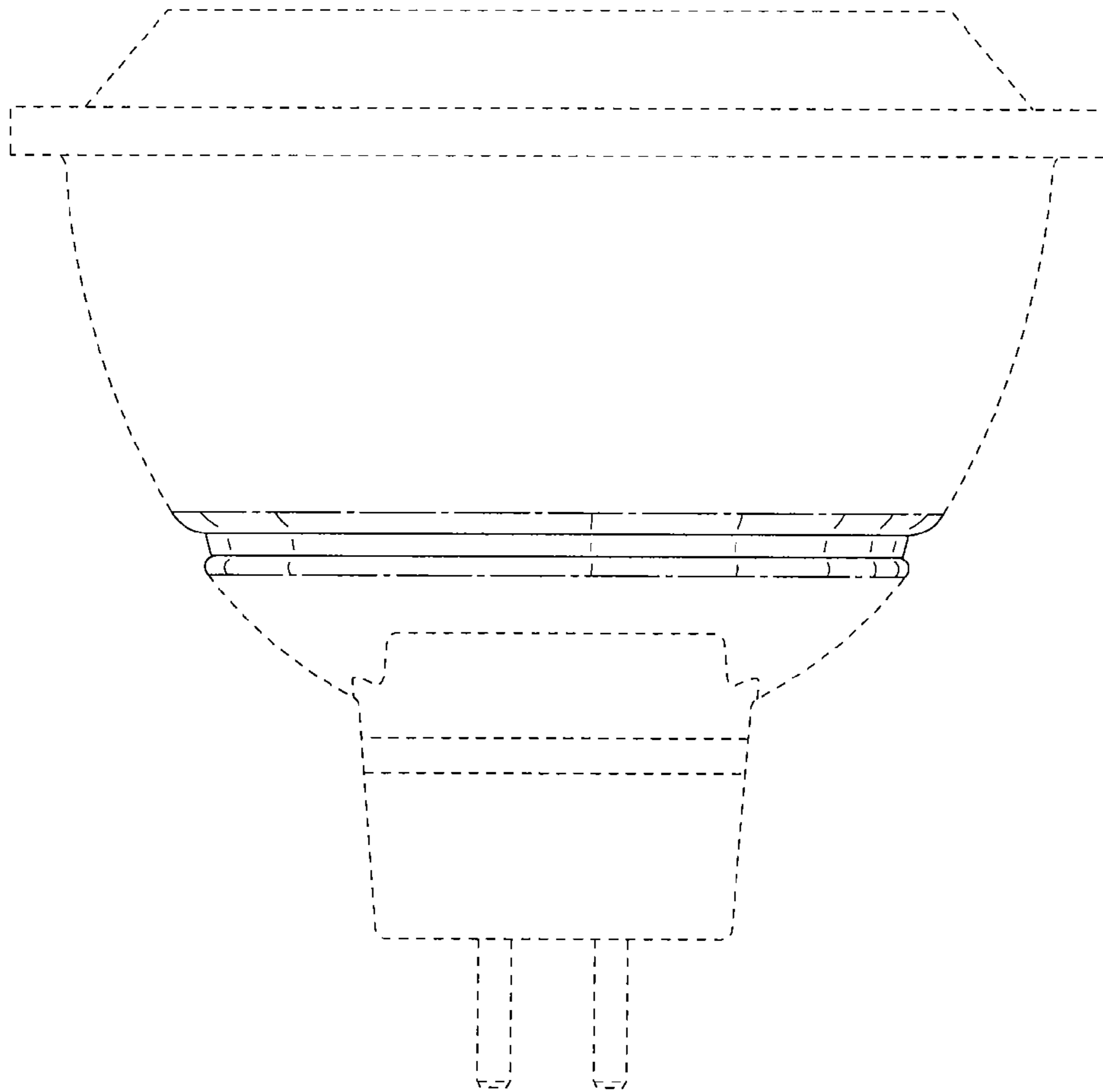


FIG.7

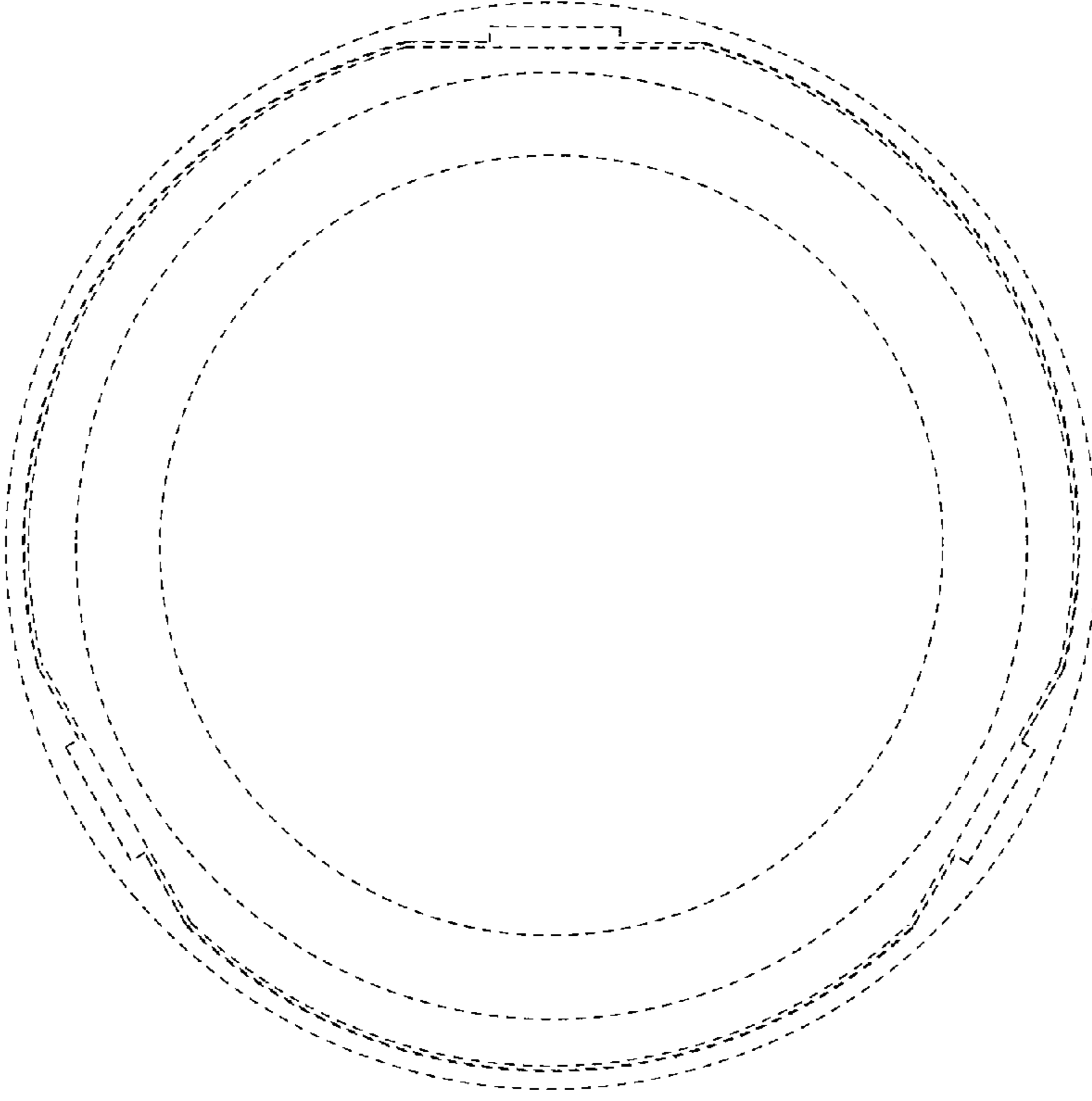


FIG.8

