



US00D679047S

(12) **United States Design Patent**
Tickner et al.

(10) **Patent No.:** **US D679,047 S**
(45) **Date of Patent:** **** Mar. 26, 2013**

(54) **LED LIGHT FIXTURE**
(75) Inventors: **Jerold Tickner**, Newman, GA (US);
Evans Edward Thompson, III,
Fairburn, GA (US); **Scott David**
Wegner, Peachtree City, GA (US)
(73) Assignee: **Cooper Technologies Company**,
Houston, TX (US)
(**) Term: **14 Years**

4,630,182 A 12/1986 Moroi et al.
4,644,450 A 2/1987 Caplin et al.
4,885,668 A * 12/1989 Maglica et al. 362/345
5,222,800 A 6/1993 Chan et al.
5,374,812 A 12/1994 Chan et al.
5,452,816 A 9/1995 Chan et al.
D383,564 S * 9/1997 Lecluze D26/118
5,738,436 A 4/1998 Cummings et al.
5,746,507 A 5/1998 Lee
5,758,959 A 6/1998 Sieczkowski
D397,472 S 8/1998 Lecluze
5,826,970 A 10/1998 Keller et al.
5,857,766 A 1/1999 Sieczkowski

(21) Appl. No.: **29/424,696**

(22) Filed: **Jun. 14, 2012**

Related U.S. Application Data

(63) Continuation of application No. 29/383,895, filed on
Jan. 24, 2011, now Pat. No. Des. 663,442, which is a
continuation of application No. 29/305,946, filed on
Mar. 31, 2008, now Pat. No. Des. 633,649.

(51) **LOC (9) Cl.** **26-99**

(52) **U.S. Cl.** **D26/124**

(58) **Field of Classification Search** D26/118,
D26/124, 120, 122, 119, 128, 138, 145, 155,
D26/1, 2, 113, 121, 123, 72, 73, 74, 75, 76,
D26/77, 78, 79, 62, 64, 68, 69, 85, 86, 88,
D26/125, 129, 135, 136, 139, 140, 141, 142,
D26/143, 144, 152, 153, 148, 149, 150, 151,
D26/154, 156, 61, 54, 52, 24, 25, 26, 28,
D26/36, 35, 42, 45, 53, 55, 81, 82, 83, 84,
D26/60, 63, 87, 37; 362/294, 307, 249.01–249.12,
362/549, 345, 225, 364, 326, 362, 363, 147,
362/148, 149, 223, 224, 555, 556, 218, 331,
362/613, 620, 97.1–97.3; D13/179, 180

See application file for complete search history.

(56) **References Cited**

U.S. PATENT DOCUMENTS

1,821,733 A 9/1931 Thibodeau
4,321,659 A 3/1982 Wheeler

(Continued)

OTHER PUBLICATIONS

U.S. Appl. No. 29/383,895, filed Jan. 24, 2011, entitled “LED Light
Fixture”.

(Continued)

Primary Examiner — Kevin Rudzinski

(74) *Attorney, Agent, or Firm* — SAIDMAN DesignLaw
Group

(57) **CLAIM**

The ornamental design for an LED light fixture, as shown and
described.

DESCRIPTION

FIG. 1 is a bottom perspective view of an LED light fixture
showing our new design, comprising an LED module, a
reflector and a reflector housing;

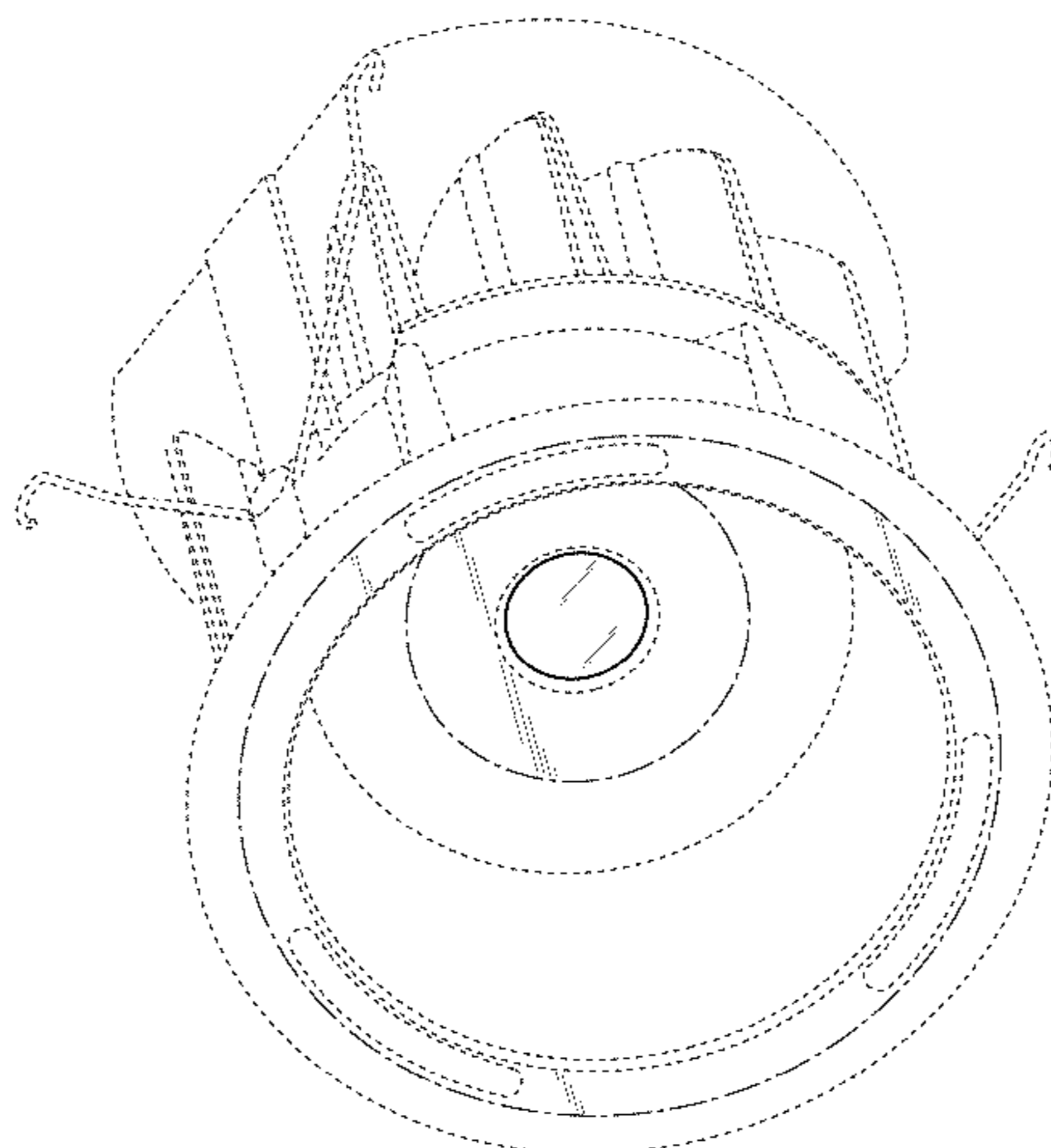
FIG. 2 is a bottom view thereof;

FIG. 3 is a bottom perspective view thereof, without the
reflector and reflector housing; and,

FIG. 4 is an enlarged bottom view of the LED module thereof.
The dotted broken lines are for the purpose of illustrating
portions of the LED light fixture and form no part of the
claimed design.

The dot-dash broken lines represent an unclaimed boundary
and form no part of the claimed design.

1 Claim, 3 Drawing Sheets



US D679,047 S

Page 2

U.S. PATENT DOCUMENTS

5,957,573	A	9/1999	Wedekind et al.	
6,082,878	A	7/2000	Doubek et al.	
D431,316	S *	9/2000	Tickner	D26/118
6,168,285	B1 *	1/2001	Flohre	362/96
6,461,016	B1	10/2002	Jamison et al.	
6,474,846	B1 *	11/2002	Kelmelis et al.	362/365
D473,965	S *	4/2003	Lecluze	D26/74
D474,299	S *	5/2003	Lecluze	D26/74
D476,108	S	6/2003	Lecluze	
6,822,269	B2	11/2004	Horiuchi et al.	
6,957,896	B2 *	10/2005	Burgess	362/147
D516,229	S *	2/2006	Tang	D26/2
7,011,430	B2	3/2006	Chen	
7,025,477	B2	4/2006	Blessing et al.	
7,030,423	B2	4/2006	Chang et al.	
D525,374	S *	7/2006	Maxik et al.	D26/2
7,083,305	B2	8/2006	Galli	
7,144,135	B2	12/2006	Martin et al.	
D536,473	S *	2/2007	Tan	D26/93
D546,762	S	7/2007	Kovacs	
7,271,350	B2 *	9/2007	Johnson	174/480
7,303,301	B2	12/2007	Koren et al.	
7,311,422	B1 *	12/2007	Chen	362/364
D560,829	S *	1/2008	Mason, II	D26/28
7,350,942	B2	4/2008	Chen et al.	
7,396,146	B2 *	7/2008	Wang	362/294
7,470,921	B2	12/2008	Custer	
7,572,038	B2 *	8/2009	Kinnune et al.	362/365
7,600,899	B2 *	10/2009	Chen	362/366
7,618,166	B1 *	11/2009	Truax et al.	362/364
D606,696	S *	12/2009	Chen et al.	D26/74
7,628,504	B2 *	12/2009	Glickman	362/148
D609,840	S *	2/2010	Tang	D26/74
D610,289	S *	2/2010	Yoshinobu et al.	D26/74
D618,633	S *	6/2010	Lin	D13/179
D622,434	S *	8/2010	Ward et al.	D26/74
7,841,748	B2 *	11/2010	Rodstein et al.	362/307
D630,350	S *	1/2011	Lin	D26/24

D633,649	S	3/2011	Tickner et al.	
7,902,459	B2 *	3/2011	Lehr	174/67
D642,703	S *	8/2011	Li et al.	D26/2
D651,735	S *	1/2012	Dai	D26/72
8,125,776	B2 *	2/2012	Alexander et al.	361/688
D655,436	S *	3/2012	Johnson	D26/74
D656,263	S *	3/2012	Ogawa et al.	D26/74
8,148,635	B1 *	4/2012	Gretz	174/50
8,181,709	B2 *	5/2012	Oh	169/37
D663,442	S *	7/2012	Tickner et al.	D26/1
D663,888	S *	7/2012	Davis	D26/138
D670,855	S *	11/2012	Turner	D26/123
2004/0190305	A1	9/2004	Arik et al.	
2004/0257818	A1	12/2004	Benghozi	
2005/0154075	A1	7/2005	Siegel	
2005/0183344	A1 *	8/2005	Ziobro et al.	52/20
2005/0231983	A1	10/2005	Dahm	
2005/0237746	A1	10/2005	Yiu	
2006/0268548	A1	11/2006	Chang	
2007/0132092	A1	6/2007	Hu et al.	
2007/0279900	A1	12/2007	Bauer et al.	
2008/0080189	A1	4/2008	Wang	
2008/0112171	A1 *	5/2008	Patti et al.	362/365
2008/0158887	A1 *	7/2008	Zhu et al.	362/294
2009/0073688	A1	3/2009	Patrick	
2009/0073689	A1	3/2009	Patrick	
2009/0080189	A1	3/2009	Wegner	
2009/0086476	A1	4/2009	Tickner et al.	
2009/0086481	A1	4/2009	Wegner	
2009/0129086	A1	5/2009	Thompson, III	
2009/0154166	A1	6/2009	Zhang et al.	
2009/0201683	A1 *	8/2009	Chuan	362/294
2009/0262530	A1	10/2009	Tickner et al.	

OTHER PUBLICATIONS

Notice of Allowance in U.S. Appl. No. 29/383,895, mailing date May 29, 2012.

* cited by examiner

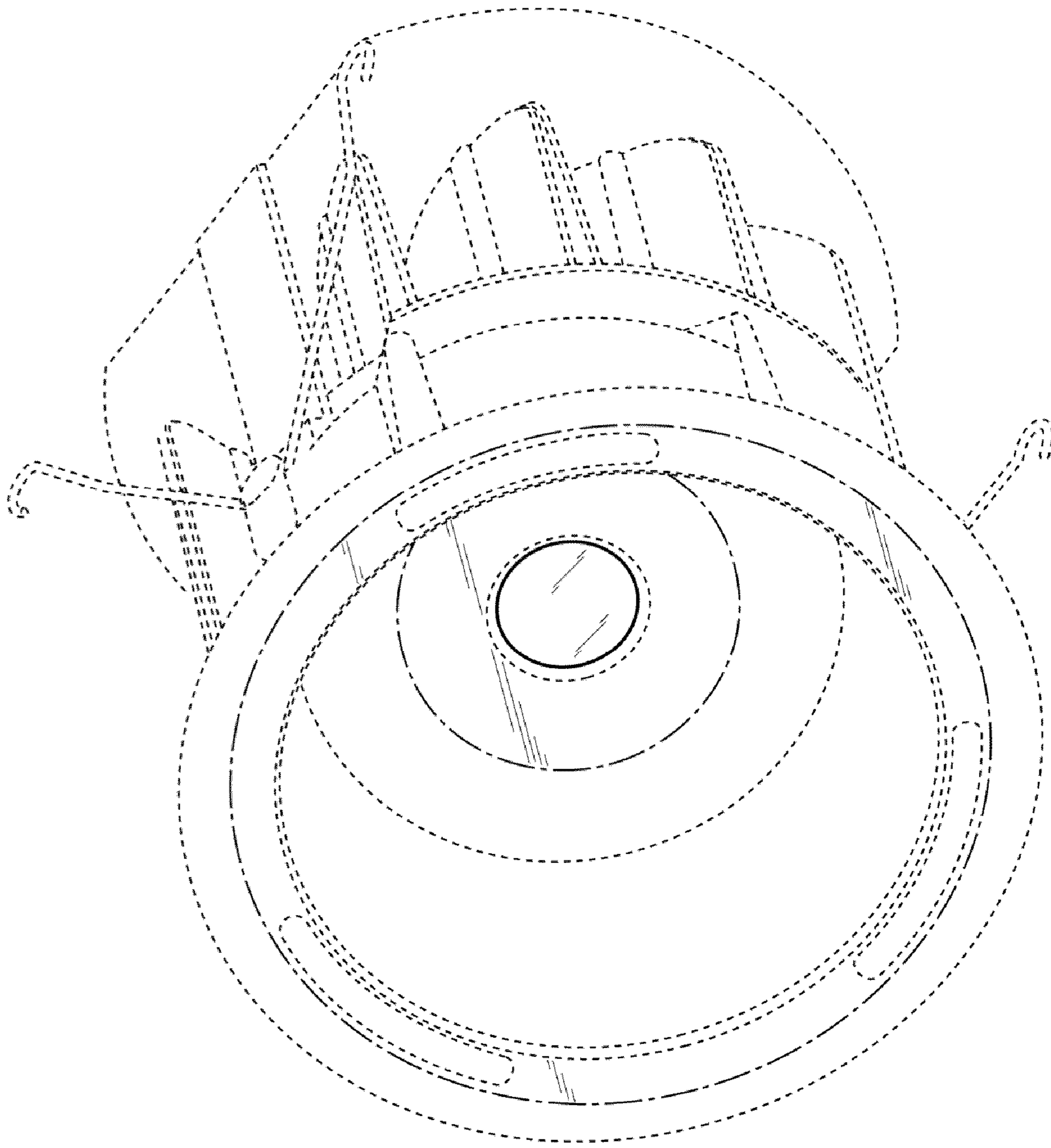


Fig. 1

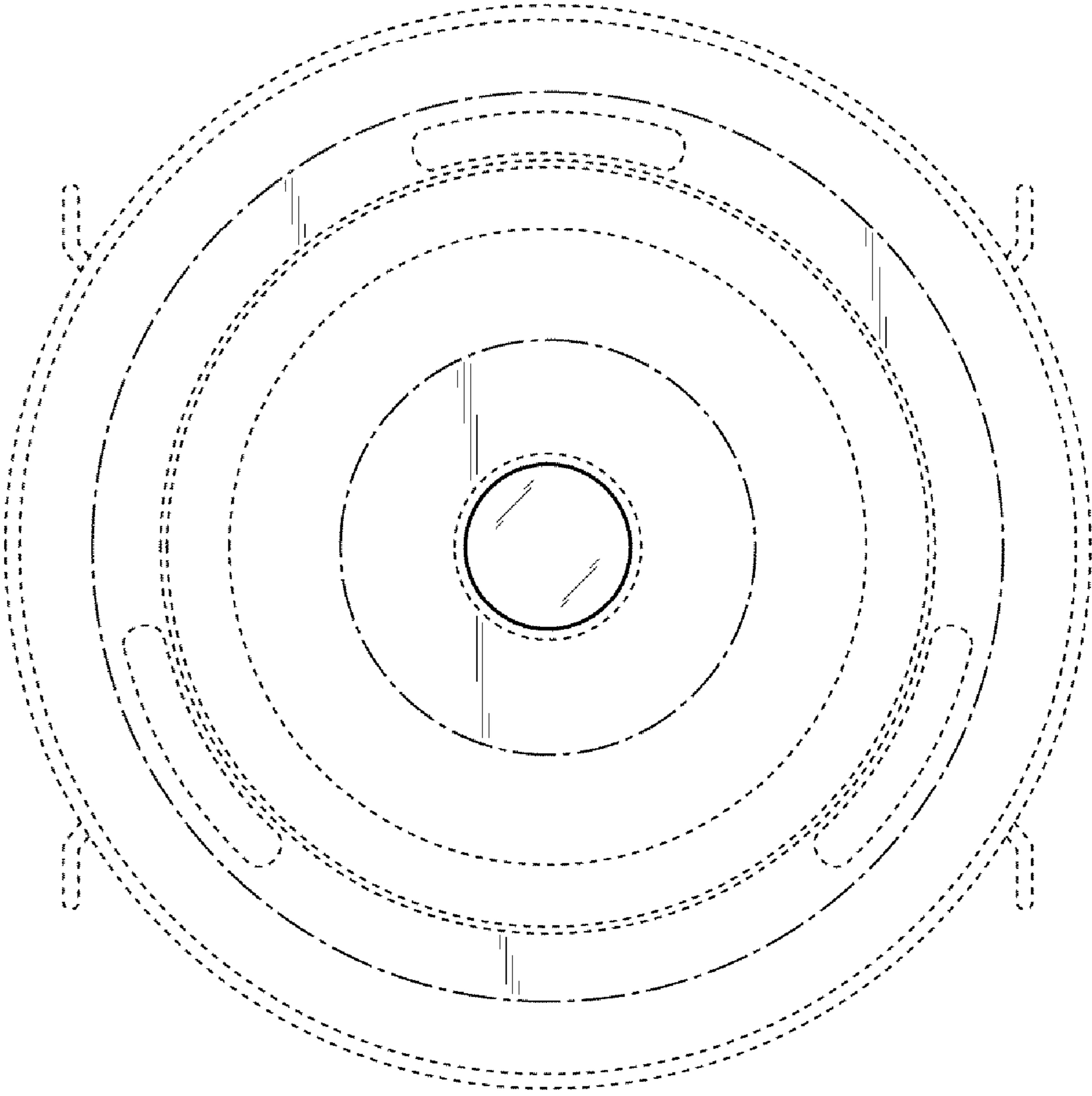


Fig. 2

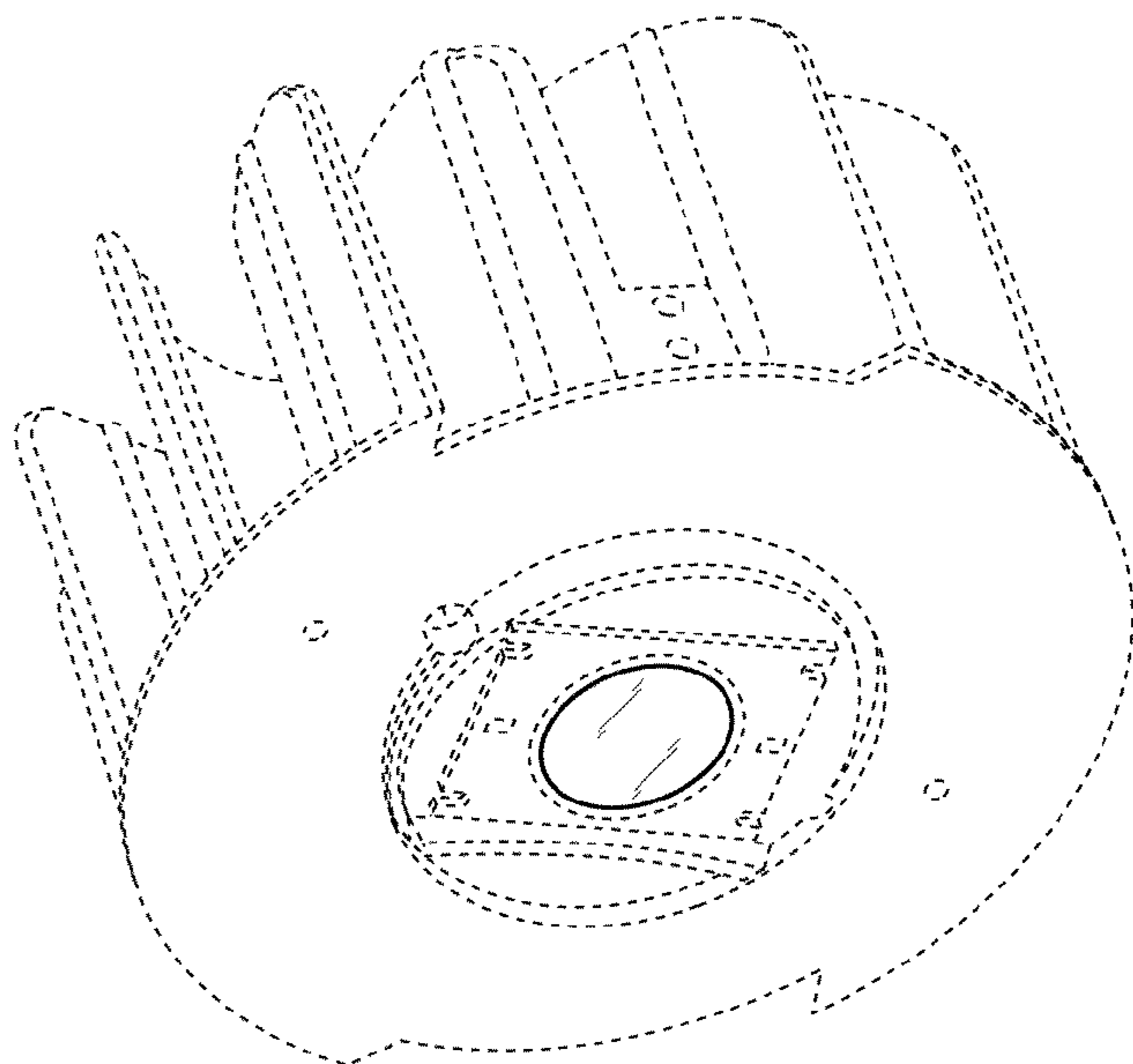


Fig. 3

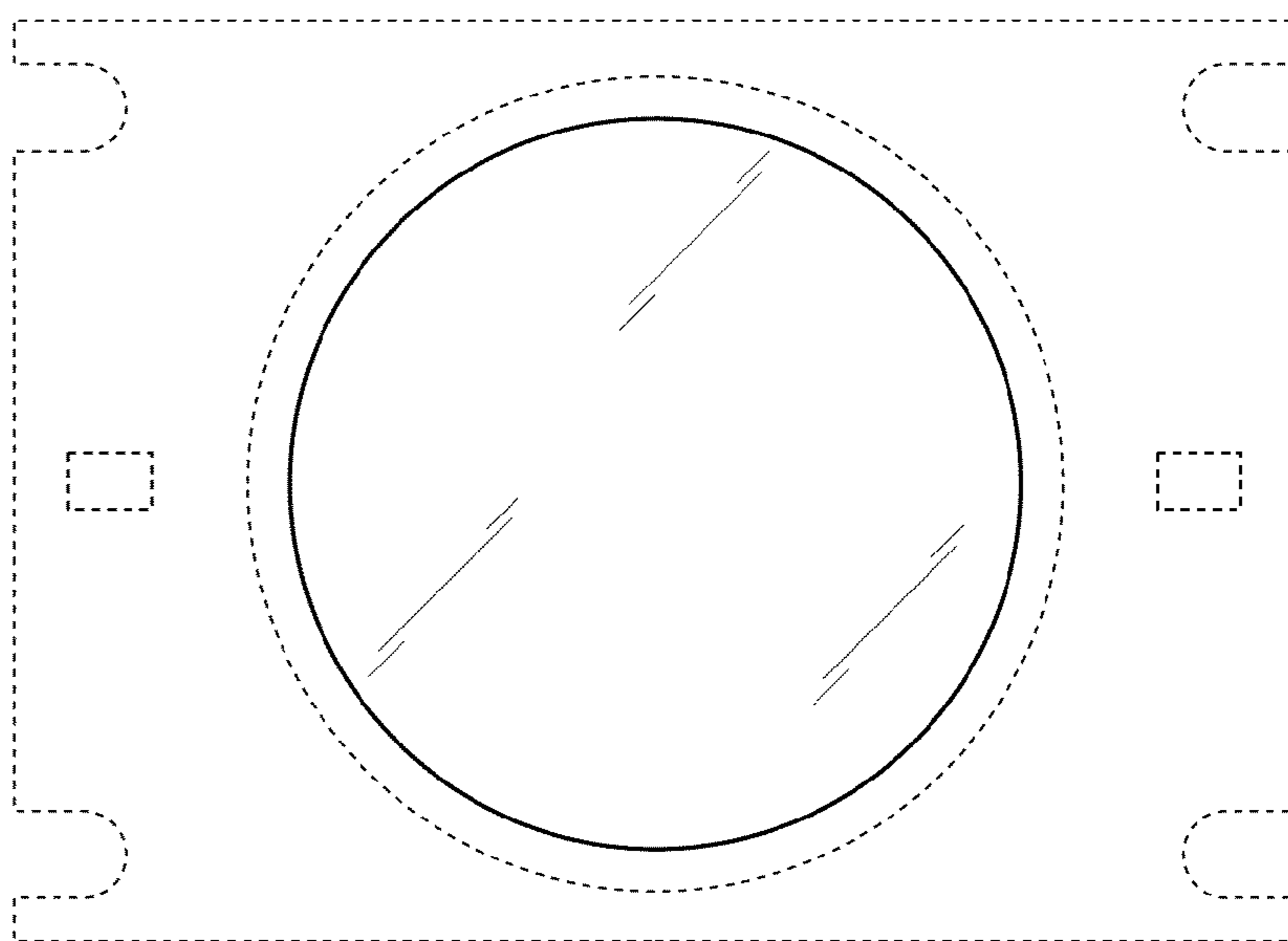


Fig. 4