



US00D679044S

(12) **United States Design Patent**  
**Jeswani et al.**

(10) **Patent No.:** **US D679,044 S**  
(45) **Date of Patent:** **\*\* Mar. 26, 2013**

(54) **RECESSED DOWNLIGHT**

(75) Inventors: **Anil Jeswani**, Beverly, MA (US);  
**Ronald Roberts**, Melrose, MA (US);  
**Fernando Aguiar**, Westport, MA (US);  
**Sara Lincoln**, Somerville, MA (US)

(73) Assignee: **OSRAM SYLVANIA Inc.**, Danvers, MA (US)

(\*\*) Term: **14 Years**

(21) Appl. No.: **29/417,802**

(22) Filed: **Apr. 9, 2012**

(51) **LOC (9) Cl.** ..... **26-05**

(52) **U.S. Cl.** ..... **D26/74**

(58) **Field of Classification Search** ..... D26/24,  
D26/72, 80, 81, 83, 85, 88, 89, 91, 113, 118,  
D26/123, 124, 138, 74, 76; 362/145, 146,  
362/147, 148, 150, 153, 294, 296.01, 296.07,  
362/296.08, 311.07, 311.09, 311.1, 345,  
362/364, 365, 366, 373

See application file for complete search history.

(56) **References Cited**

U.S. PATENT DOCUMENTS

D573,294 S \* 7/2008 Chan et al. .... D26/74  
D591,894 S \* 5/2009 Flank ..... D26/74  
D595,005 S \* 6/2009 Chou ..... D26/74

D625,876 S \* 10/2010 Chen et al. .... D26/74  
D638,160 S \* 5/2011 Van De Ven et al. .... D26/74  
D640,820 S \* 6/2011 Hopper ..... D26/74  
D656,262 S \* 3/2012 Yoshinobu et al. .... D26/74  
D656,263 S \* 3/2012 Ogawa et al. .... D26/74  
D659,878 S \* 5/2012 Rashidi ..... D26/74  
D667,155 S \* 9/2012 Rashidi ..... D26/74  
2010/0039829 A1 \* 2/2010 Tsai ..... 362/373  
2010/0128491 A1 \* 5/2010 Hashimoto et al. .... 362/365  
2011/0222291 A1 \* 9/2011 Peng ..... 362/294

\* cited by examiner

*Primary Examiner* — Angela J. Lee

(74) *Attorney, Agent, or Firm* — Shaun P. Montana

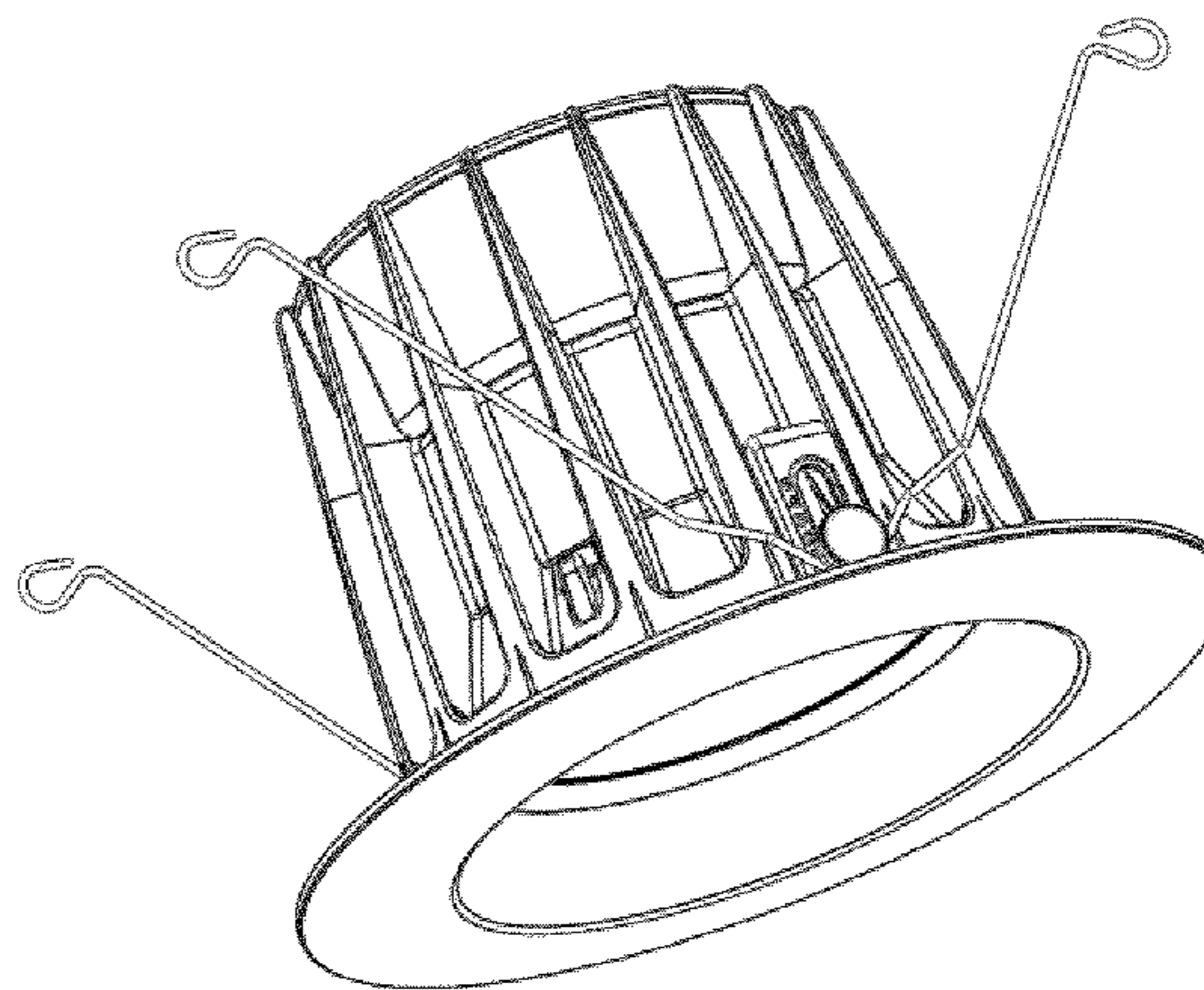
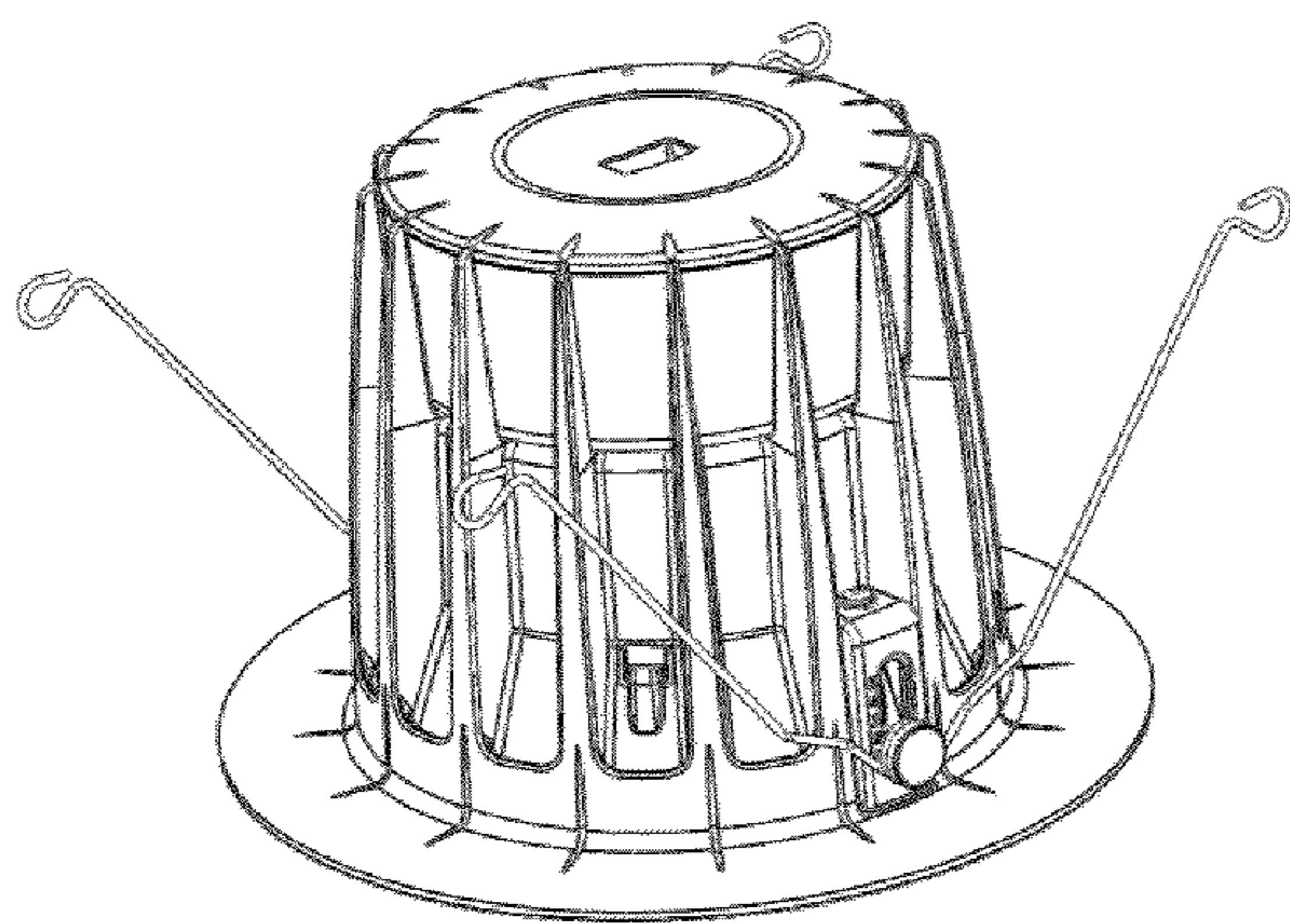
(57) **CLAIM**

The ornamental design for a recessed downlight, as shown and described.

**DESCRIPTION**

FIG. 1 is a perspective view of the recessed downlight showing our new design;  
FIG. 2 is another perspective view thereof;  
FIG. 3 is a top view thereof;  
FIG. 4 is a bottom view thereof;  
FIG. 5 is a right side view thereof;  
FIG. 6 is a left side view thereof;  
FIG. 7 is a front view thereof; and,  
FIG. 8 is a rear view thereof.

**1 Claim, 8 Drawing Sheets**



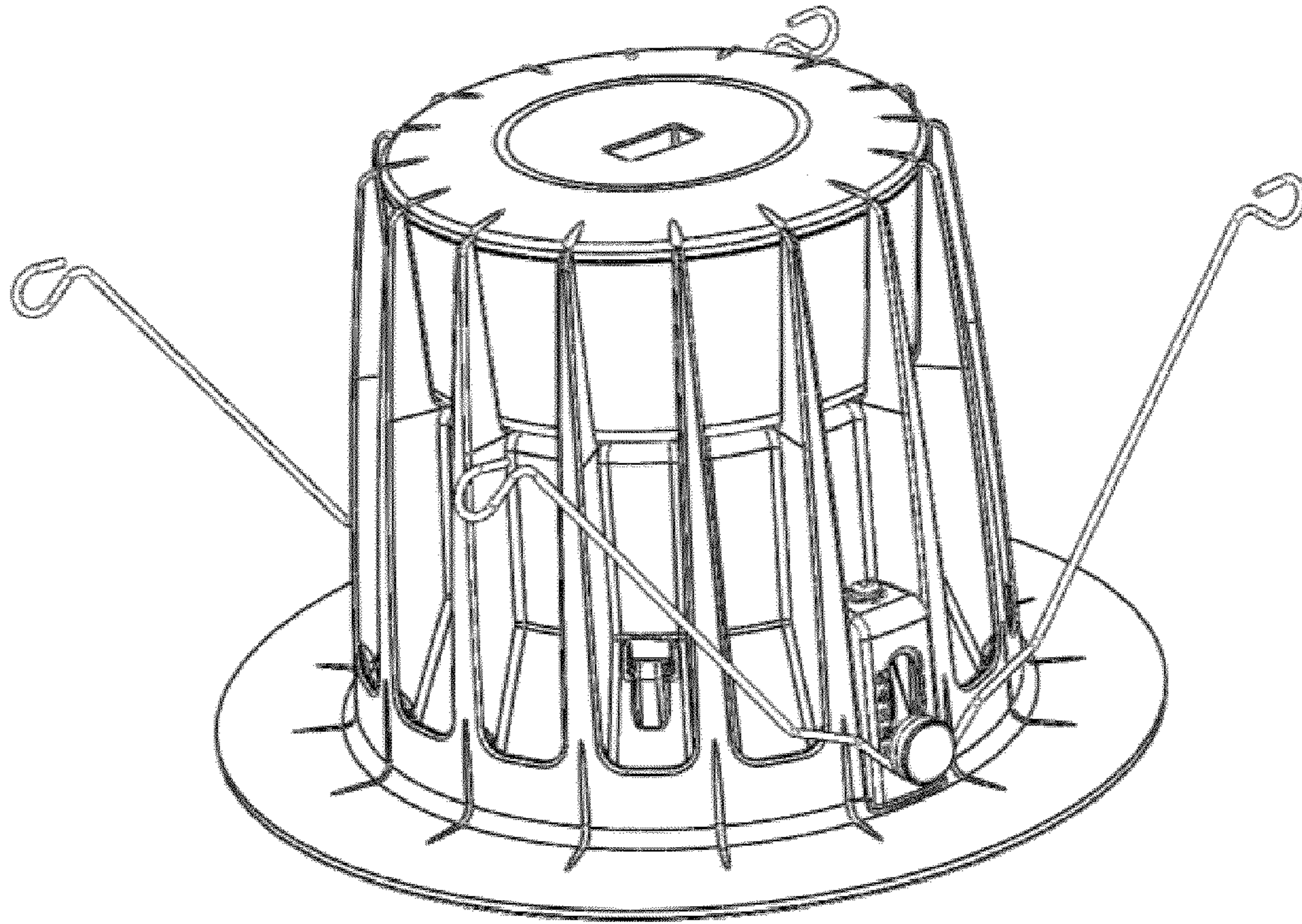


FIG. 1



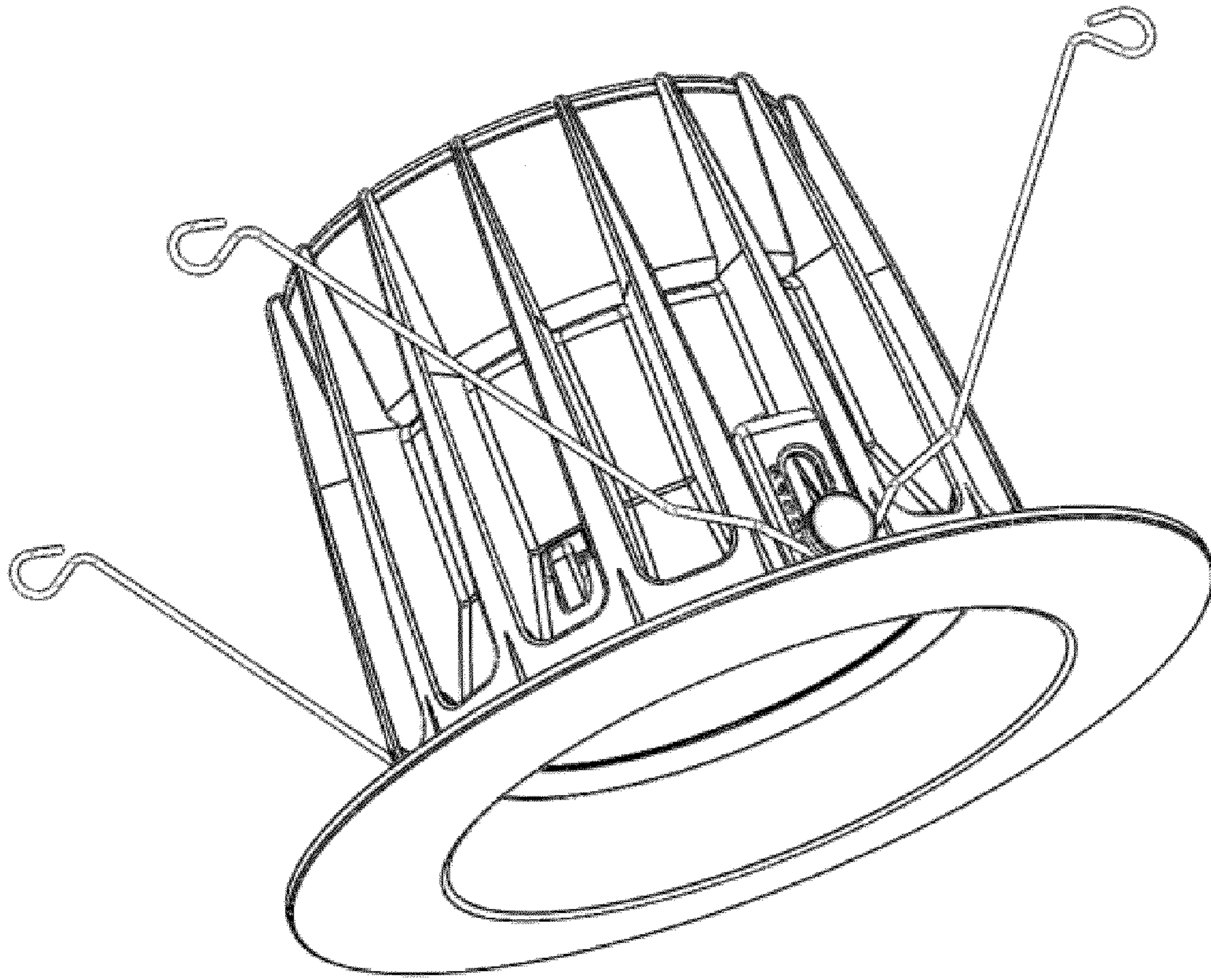


FIG. 2

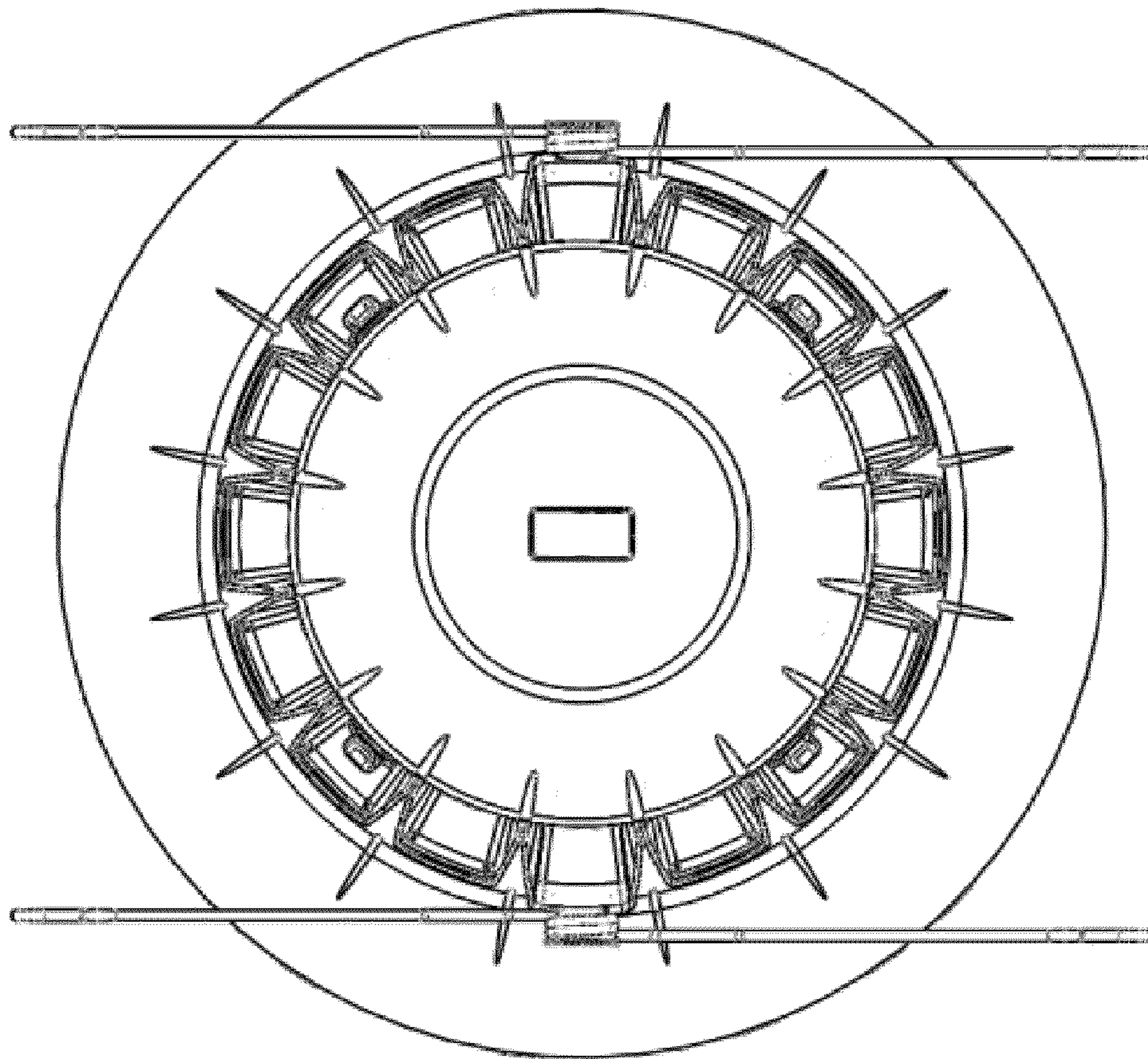


FIG. 3



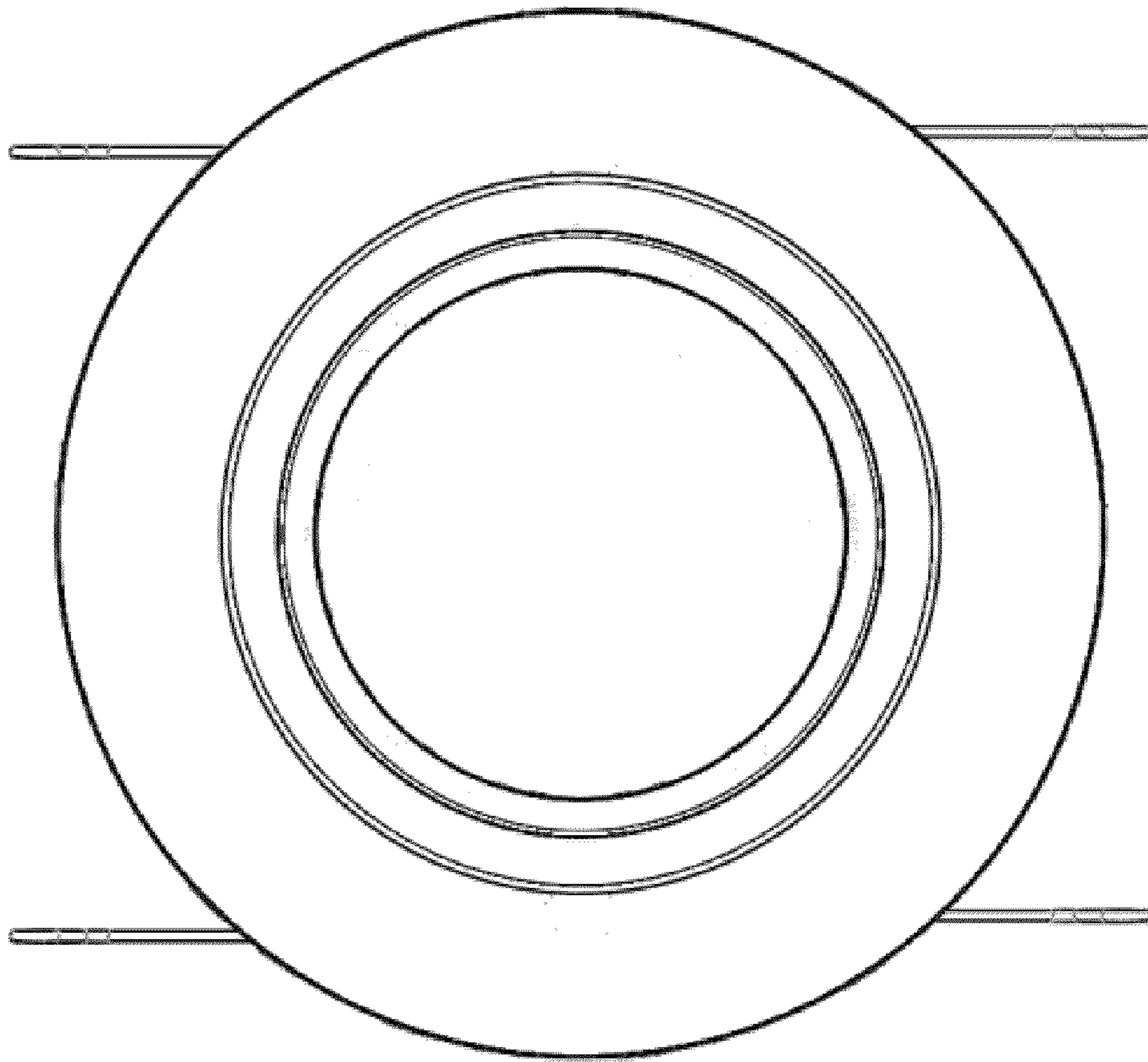


FIG. 4

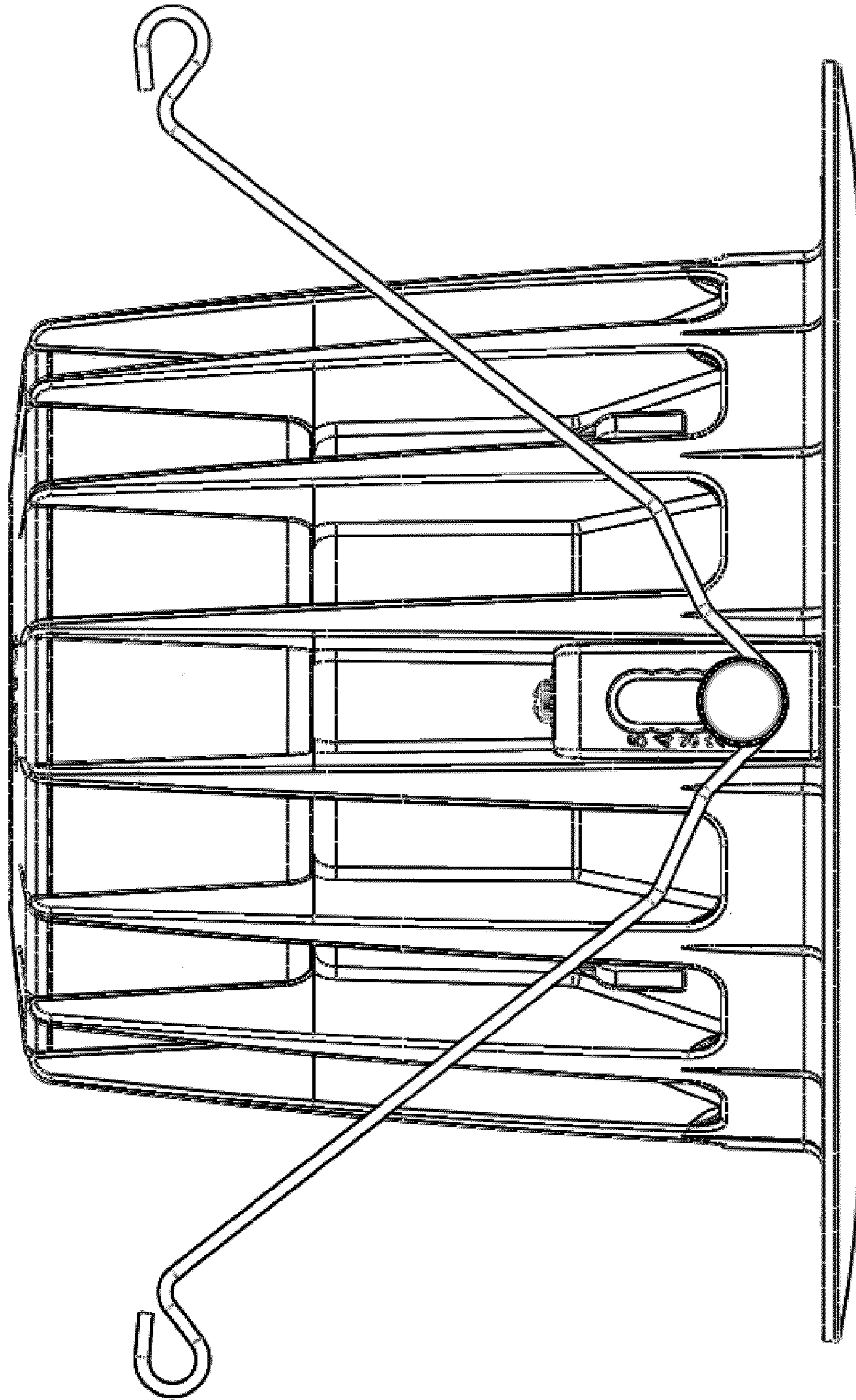


FIG. 5



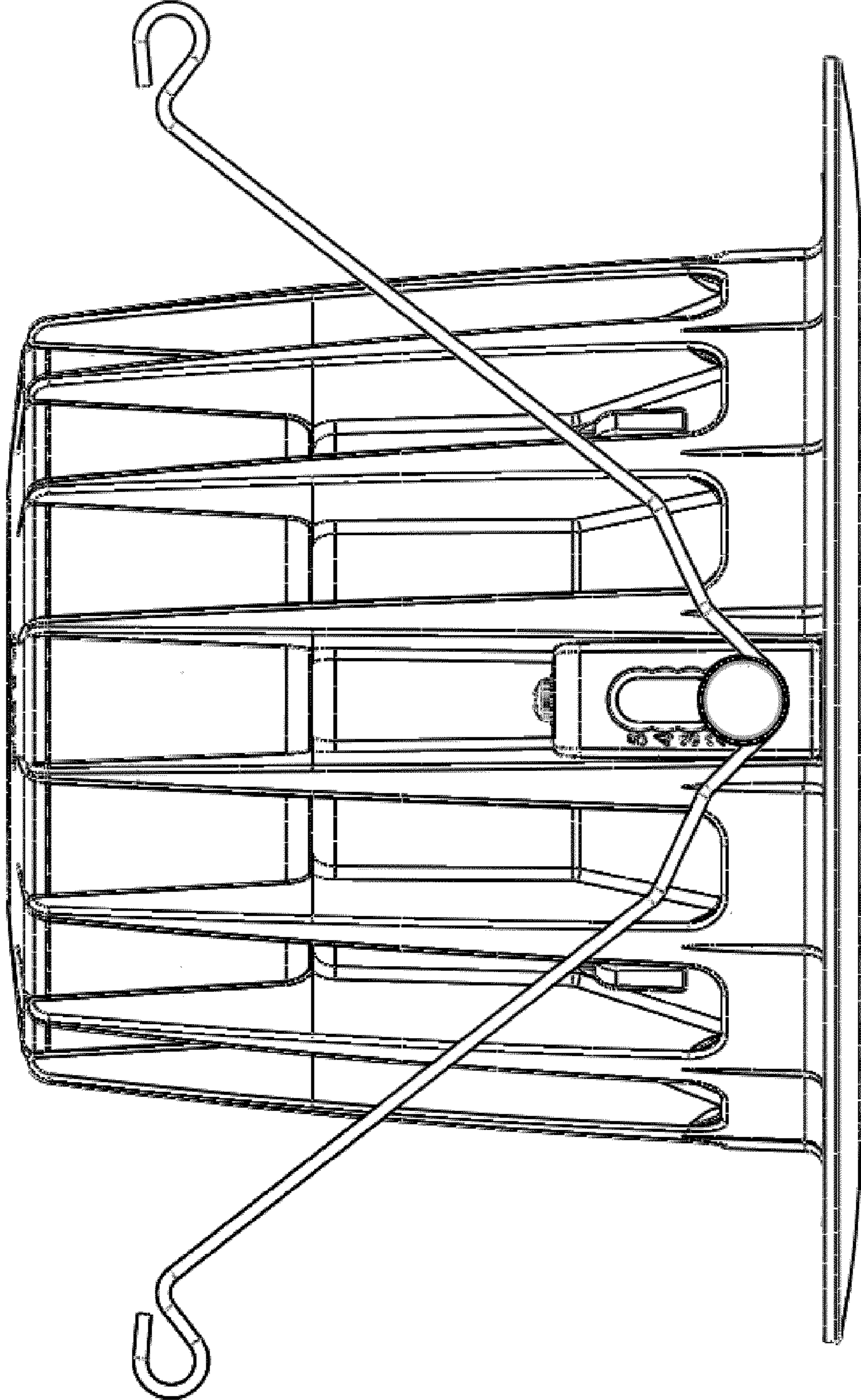


FIG. 6



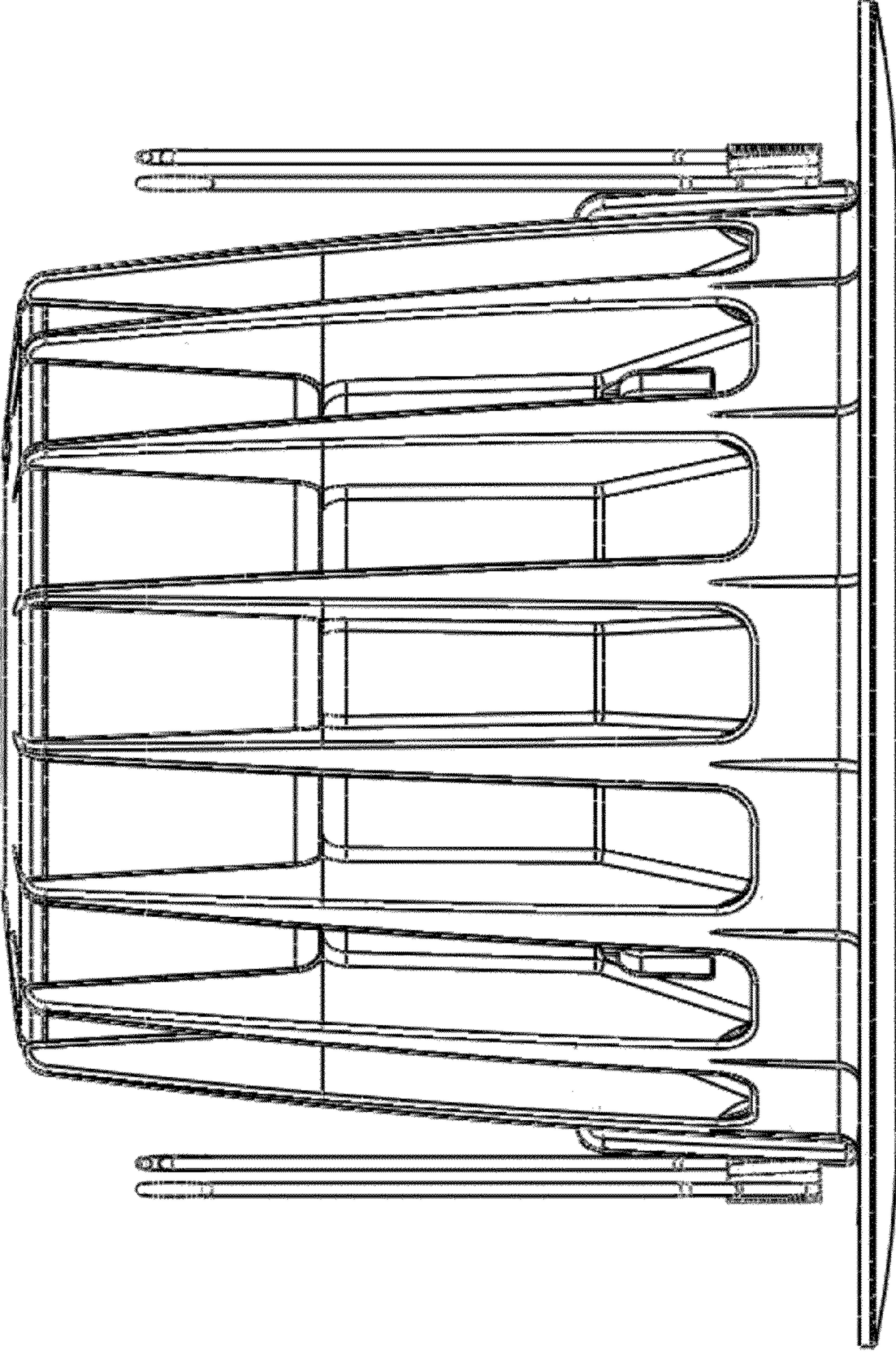


FIG. 7



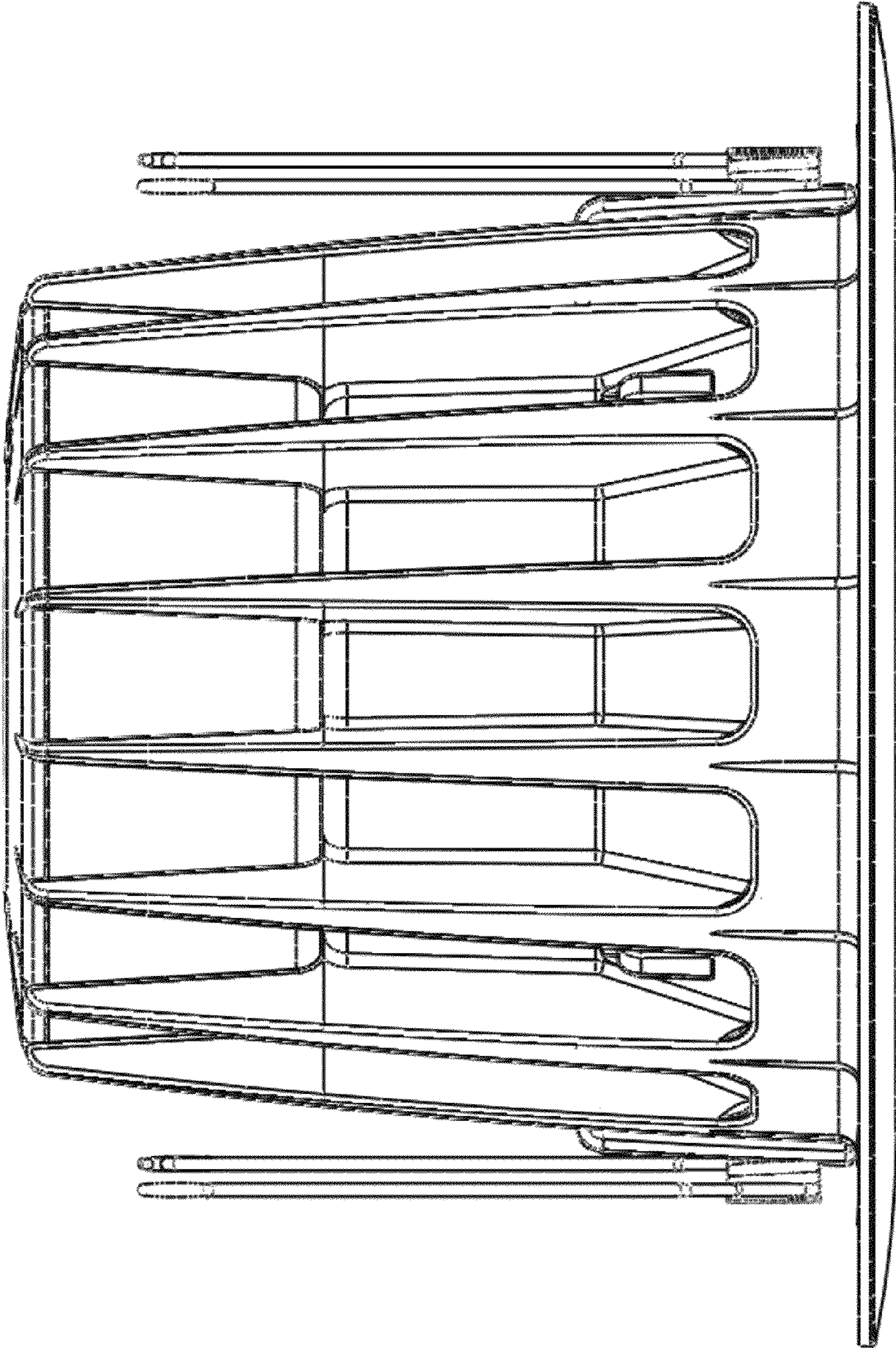


FIG. 8