



US00D679040S

(12) **United States Design Patent**
Cen et al.

(10) **Patent No.:** **US D679,040 S**
(45) **Date of Patent:** **** Mar. 26, 2013**

(54) **BICYCLE LAMP**

D605,790 S * 12/2009 Hsing-Tsun D26/28
D629,538 S * 12/2010 Nagano D26/28
D629,539 S * 12/2010 Rettenbacher et al. D26/28

(75) Inventors: **Liang Cen**, Guangdong (CN); **Zhijian Chen**, Guangdong (CN); **Jinping Mei**, Guangdong (CN)

* cited by examiner

(73) Assignee: **Shenzhen Langheng Electronic Co., Ltd.**, Shenzhen (CN)

Primary Examiner — Marcus Jackson

(74) *Attorney, Agent, or Firm* — Dovas Law, P.C.

(**) Term: **14 Years**

(57) **CLAIM**

(21) Appl. No.: **29/426,217**

The ornamental design for a bicycle lamp, as shown and described.

(22) Filed: **Jul. 2, 2012**

(30) **Foreign Application Priority Data**

DESCRIPTION

Jan. 12, 2012 (CN) 2012 3 0008819

(51) **LOC (9) Cl.** **26-06**

(52) **U.S. Cl.** **D26/28**

(58) **Field of Classification Search** D26/28-36;
362/459-468, 475-478, 485-487

See application file for complete search history.

FIG. 1 is a front elevational view of a bicycle lamp showing our new design;

FIG. 2 is a rear elevational view of the bicycle lamp of FIG. 1;

FIG. 3 is a left side elevational view of the bicycle lamp of FIG. 1;

FIG. 4 is a right side elevational view of the bicycle lamp of FIG. 1;

FIG. 5 is a top plan view of the bicycle lamp of FIG. 1;

FIG. 6 is a bottom plan view of the bicycle lamp of FIG. 1; and,

FIG. 7 is a perspective view of the bicycle lamp of FIG. 1.

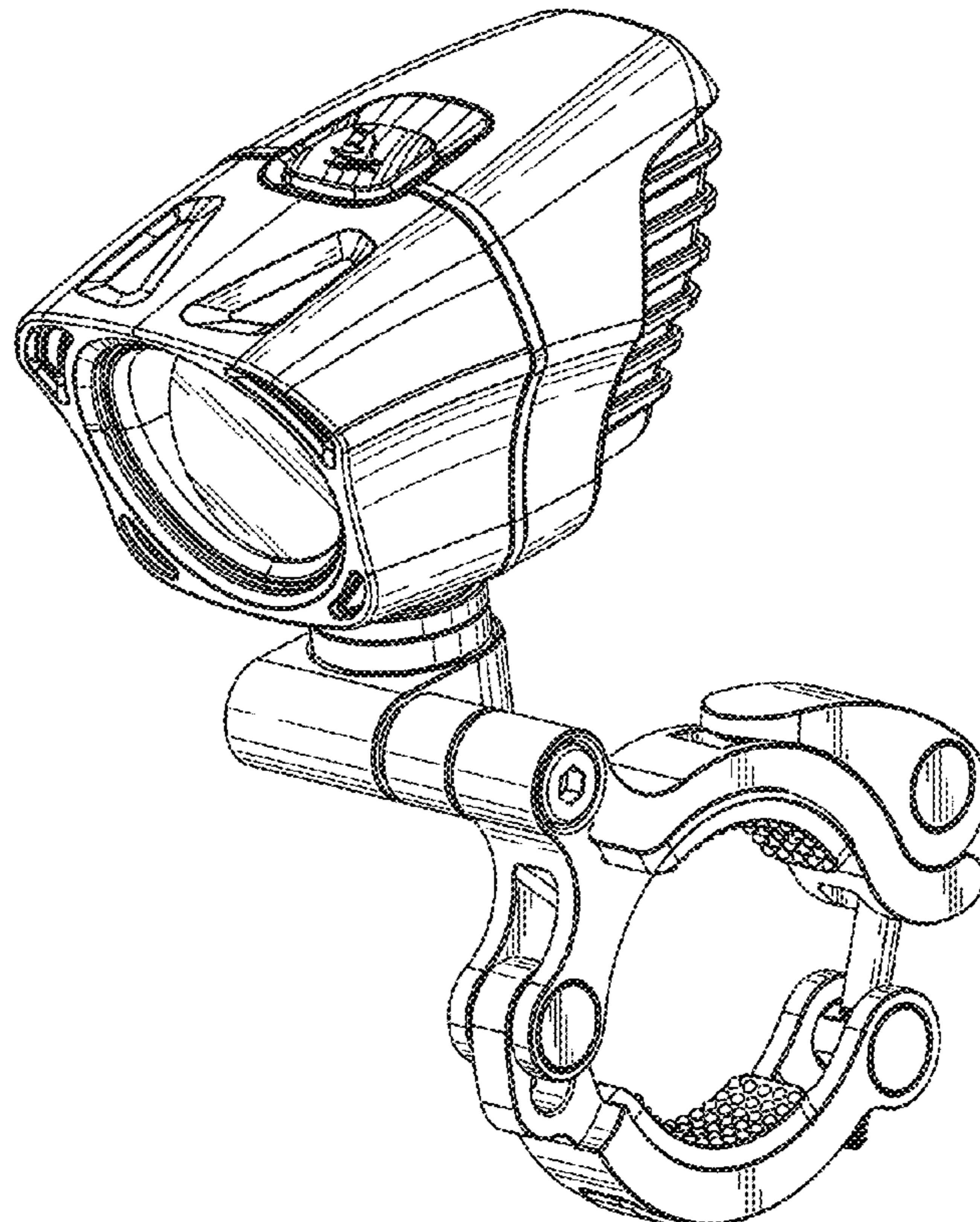
(56) **References Cited**

U.S. PATENT DOCUMENTS

D584,840 S * 1/2009 Okuda et al. D26/28

D588,722 S * 3/2009 Cheng D26/28

1 Claim, 7 Drawing Sheets



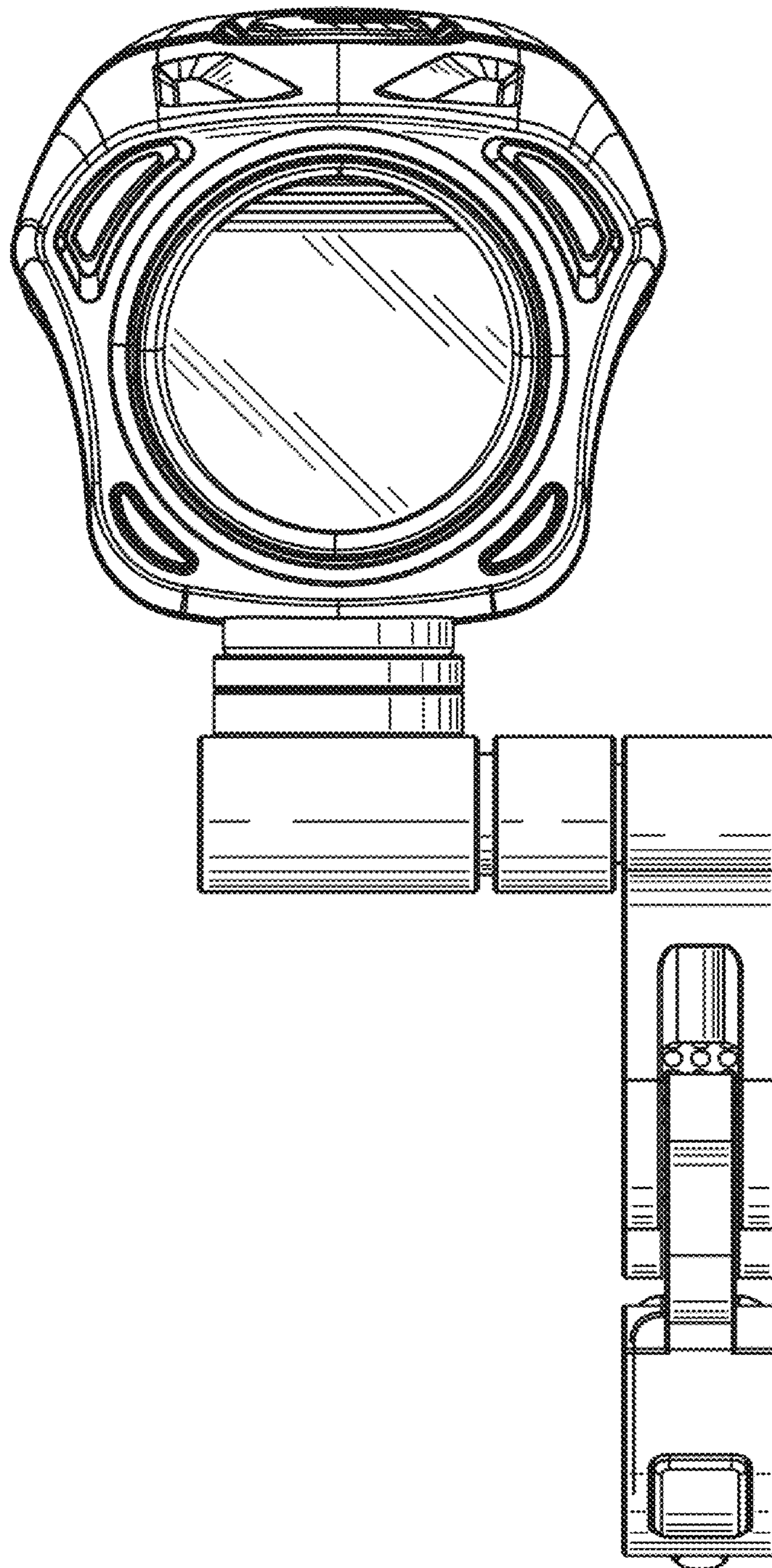


FIG. 1

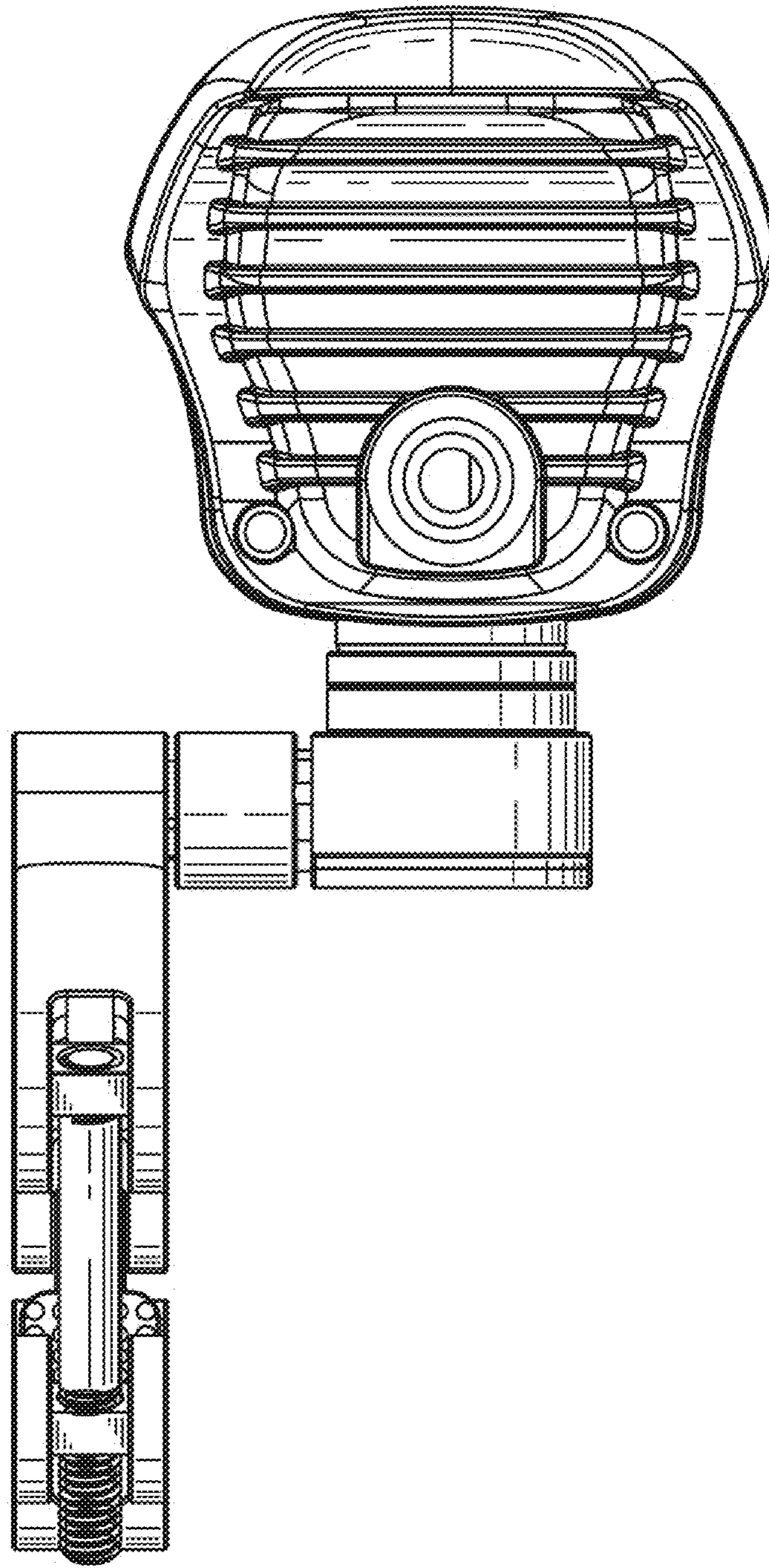


FIG. 2

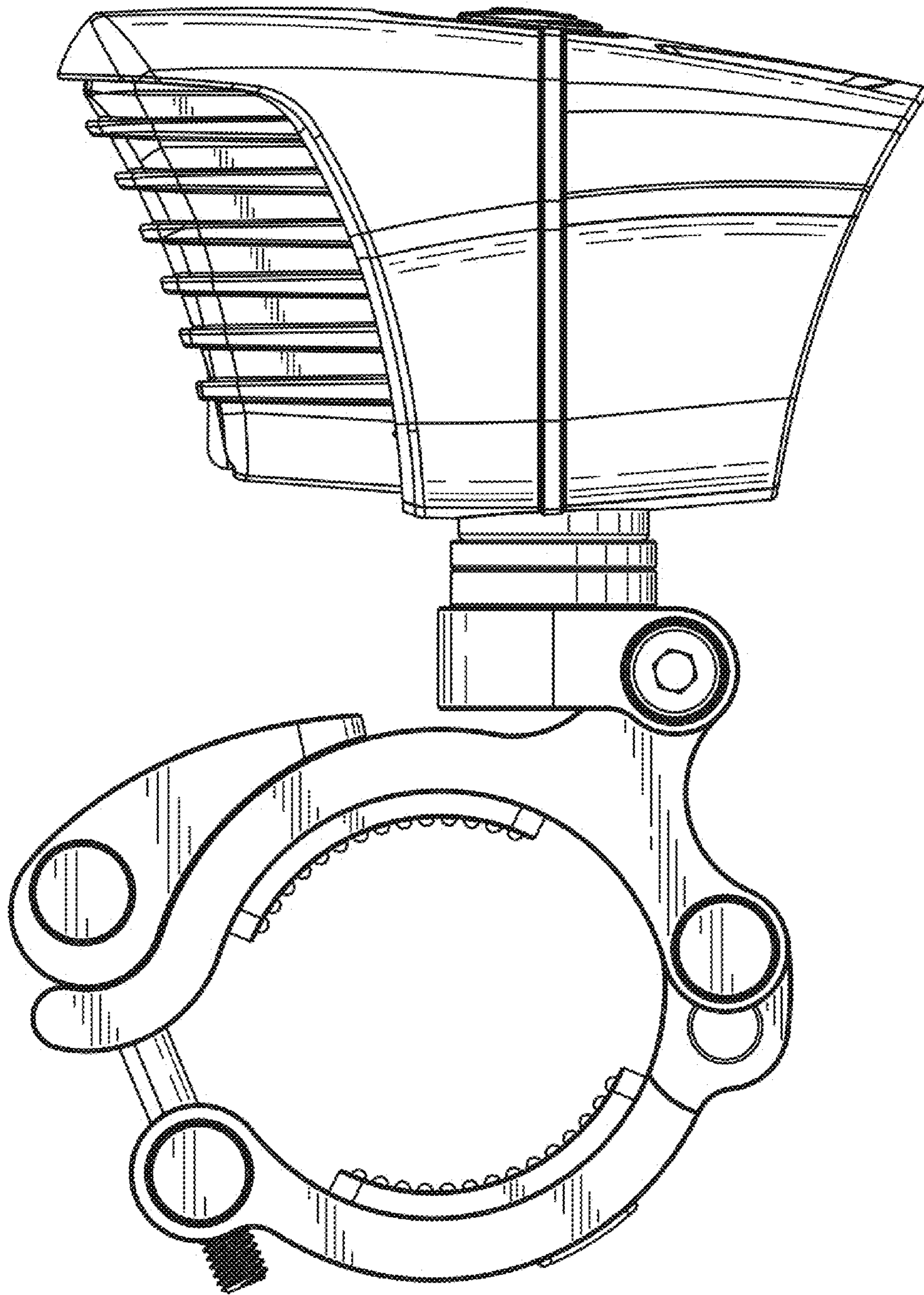


FIG. 3

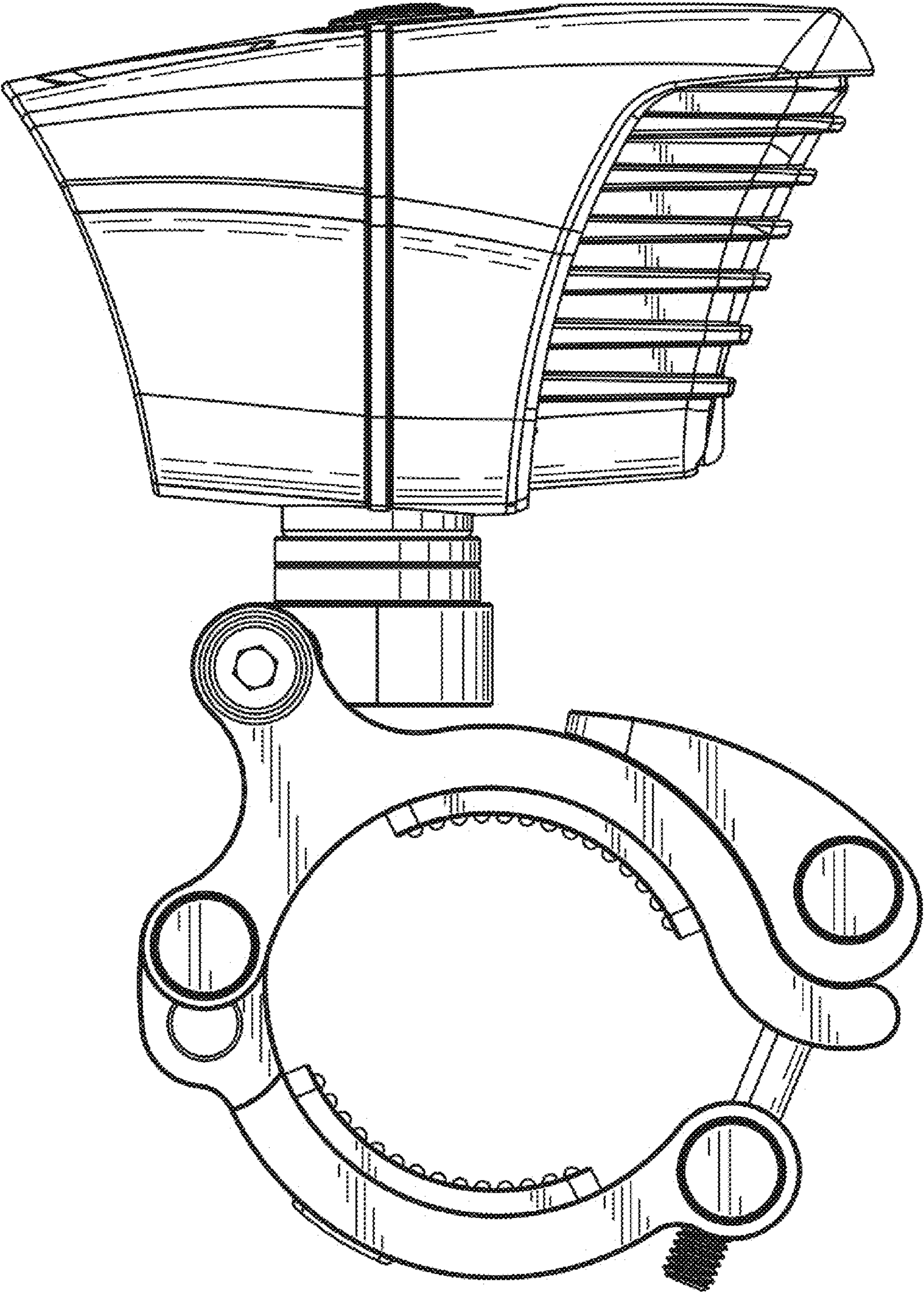


FIG. 4

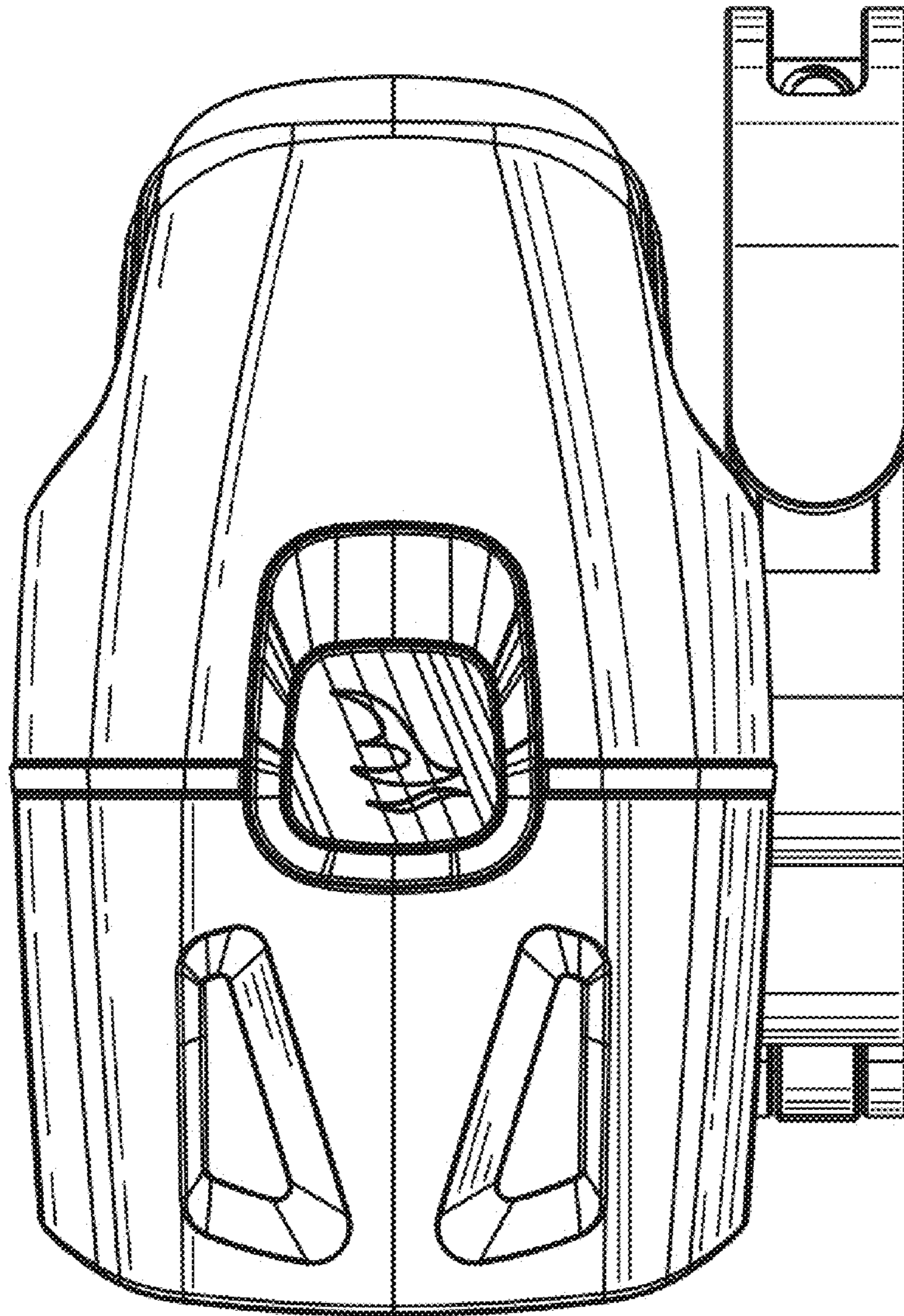


FIG. 5

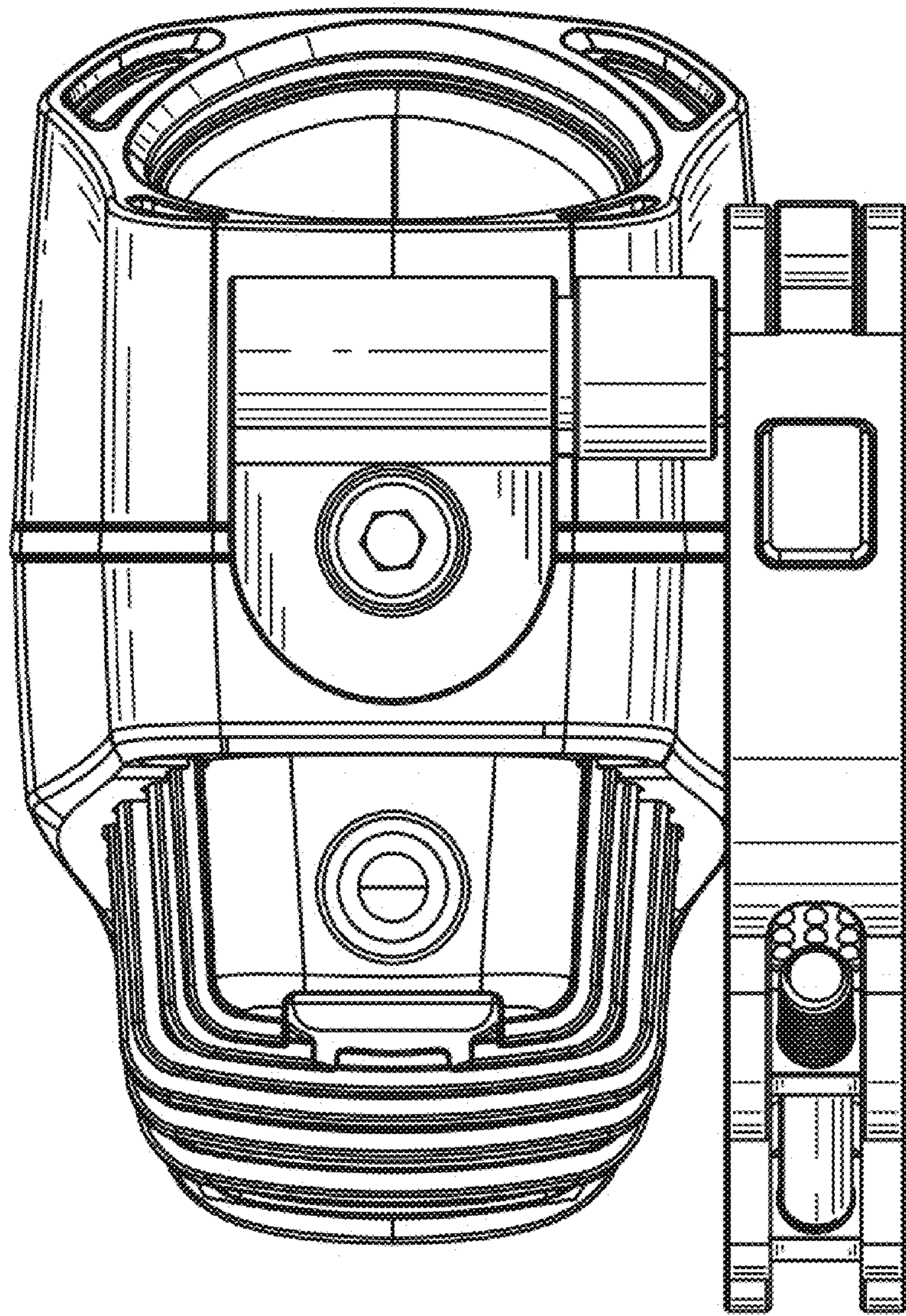


FIG. 6

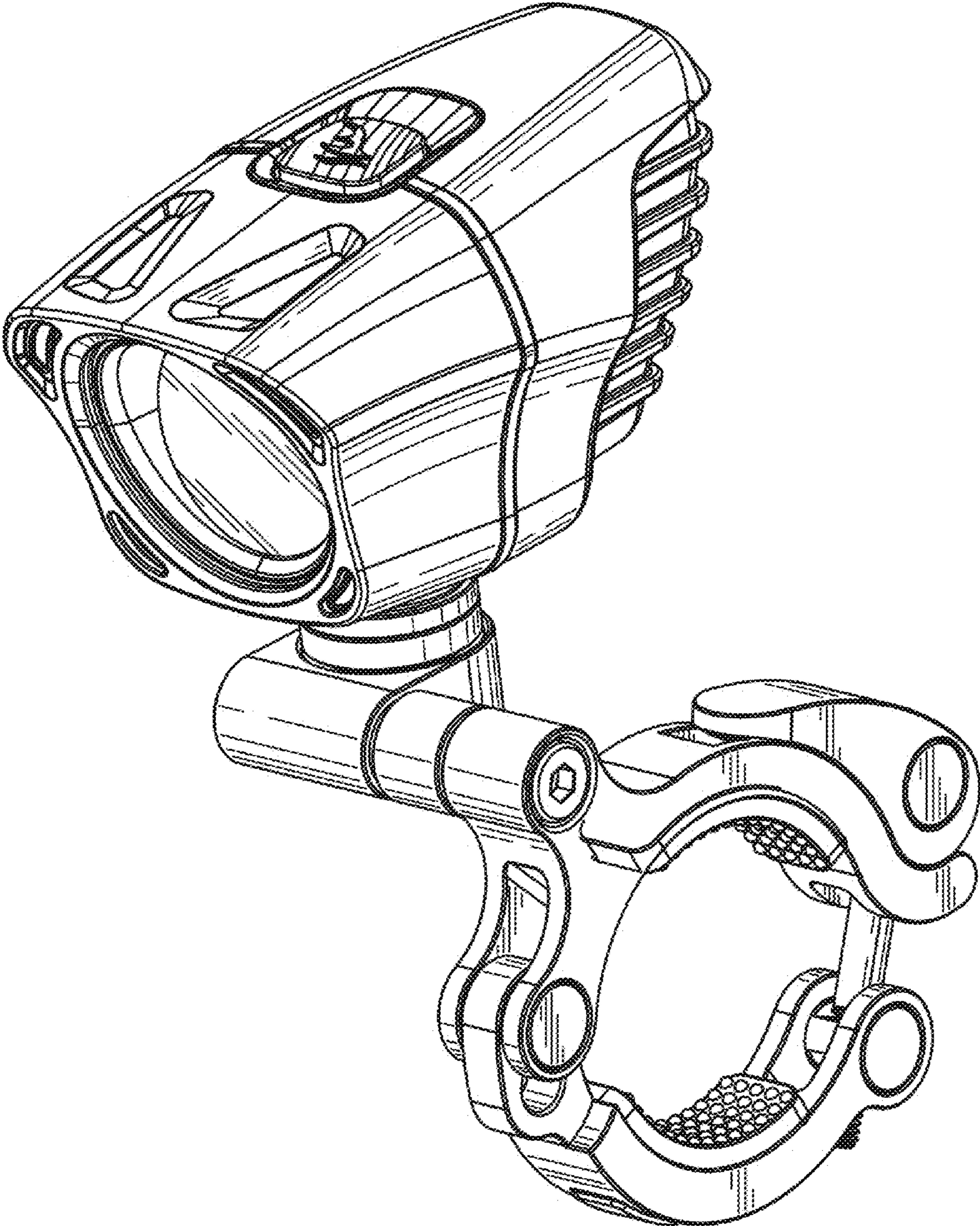


FIG. 7