

US00D679039S

(12) **United States Design Patent**
Iwai et al.

(10) **Patent No.:** **US D679,039 S**
(45) **Date of Patent:** **** Mar. 26, 2013**

(54) **HEAD LAMP FOR AUTOMOBILE**

(75) Inventors: **Takeshi Iwai**, Kanagawa (JP); **Naoyuki Ohkoshi**, Kanagawa (JP)

(73) Assignee: **Nissan Motor Co., Ltd.**, Yokohama (JP)

(**) Term: **14 Years**

(21) Appl. No.: **29/407,527**

(22) Filed: **Nov. 30, 2011**

(30) **Foreign Application Priority Data**

Jul. 13, 2011 (JP) 2011-016025

(51) **LOC (9) Cl.** **26-06**

(52) **U.S. Cl.** **D26/28**

(58) **Field of Classification Search** D26/28-36;
362/459-468, 475-478, 485-487
See application file for complete search history.

(56) **References Cited**

U.S. PATENT DOCUMENTS

D538,956 S *	3/2007	Ishii	D26/28
D544,614 S *	6/2007	Markefka	D26/28
D556,349 S *	11/2007	Golden et al.	D26/28
D561,358 S *	2/2008	Tachibana	D26/28
D593,232 S *	5/2009	Koman et al.	D26/28

FOREIGN PATENT DOCUMENTS

JP	D1303728 S	6/2007
JP	D1333913 S	6/2008

OTHER PUBLICATIONS

http://www.netcarshow.com/infiniti/2009-fx50/1024x768/wallpaper_01.htm.
http://www.netcarshow.com/infiniti/2011-ex30d/1024x768/wallpaper_02.htm.

* cited by examiner

Primary Examiner — Marcus Jackson

(74) *Attorney, Agent, or Firm* — Global IP Counselors, LLP

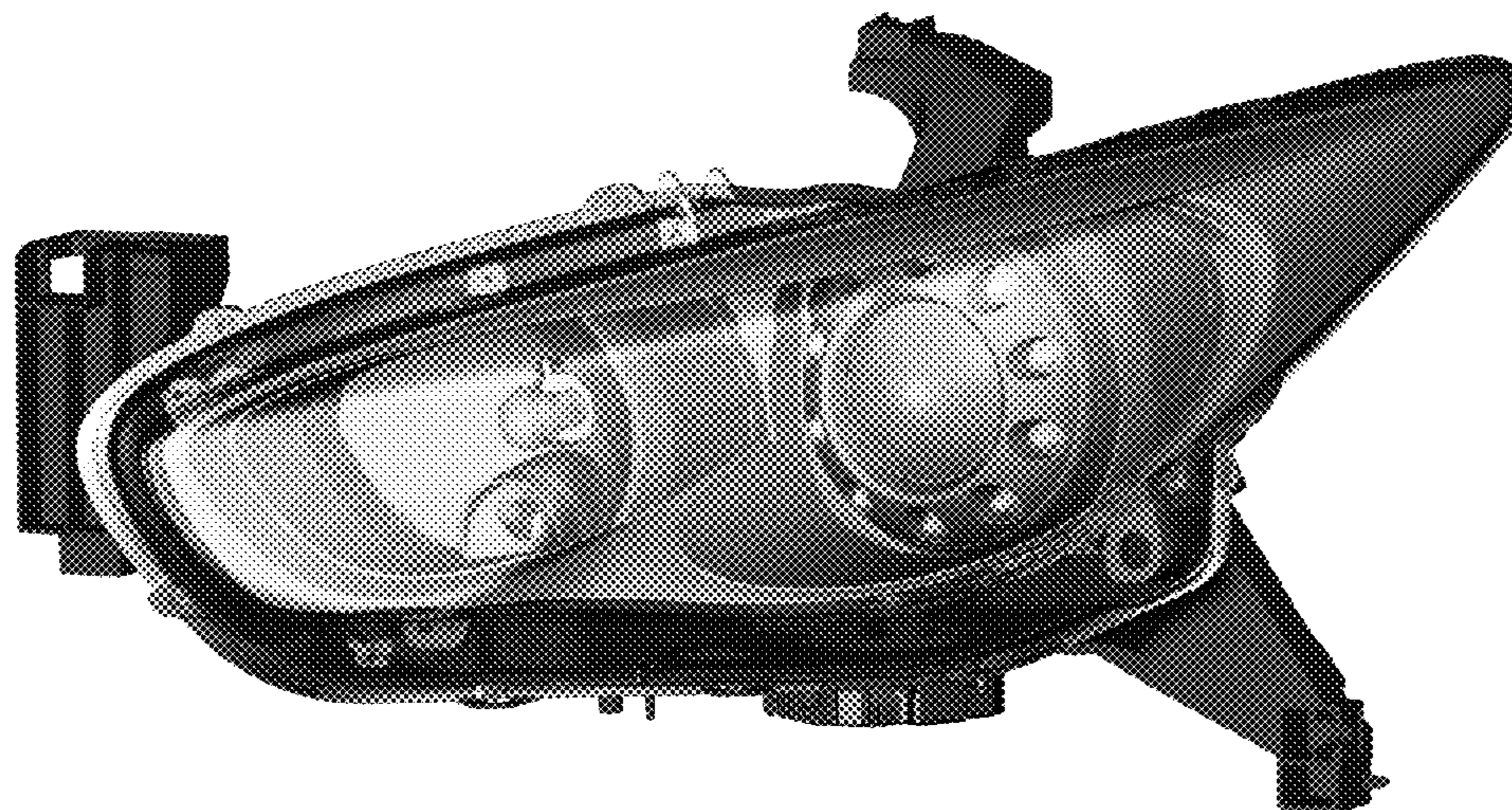
(57) **CLAIM**

The ornamental design for a head lamp for an automobile, as shown and described.

DESCRIPTION

FIG. 1 is a front elevational view of a head lamp for an automobile in accordance with our new design;
FIG. 2 is a top plan view of the head lamp in accordance with our new design of FIG. 1;
FIG. 3 is a bottom plan view of the head lamp in accordance with our new design of FIGS. 1 and 2;
FIG. 4 is a left side elevational view of the head lamp in accordance with our new design of FIGS. 1 to 3; and,
FIG. 5 is a front side perspective view of the head lamp in accordance with our new design of FIGS. 1 to 4.
The appearance of the rear side of the head lamp as seen in FIGS. 1-5 is for purpose of illustrating the boundaries of the exterior surface of the front side of the head lamp, and forms no part of the claimed design.

1 Claim, 5 Drawing Sheets



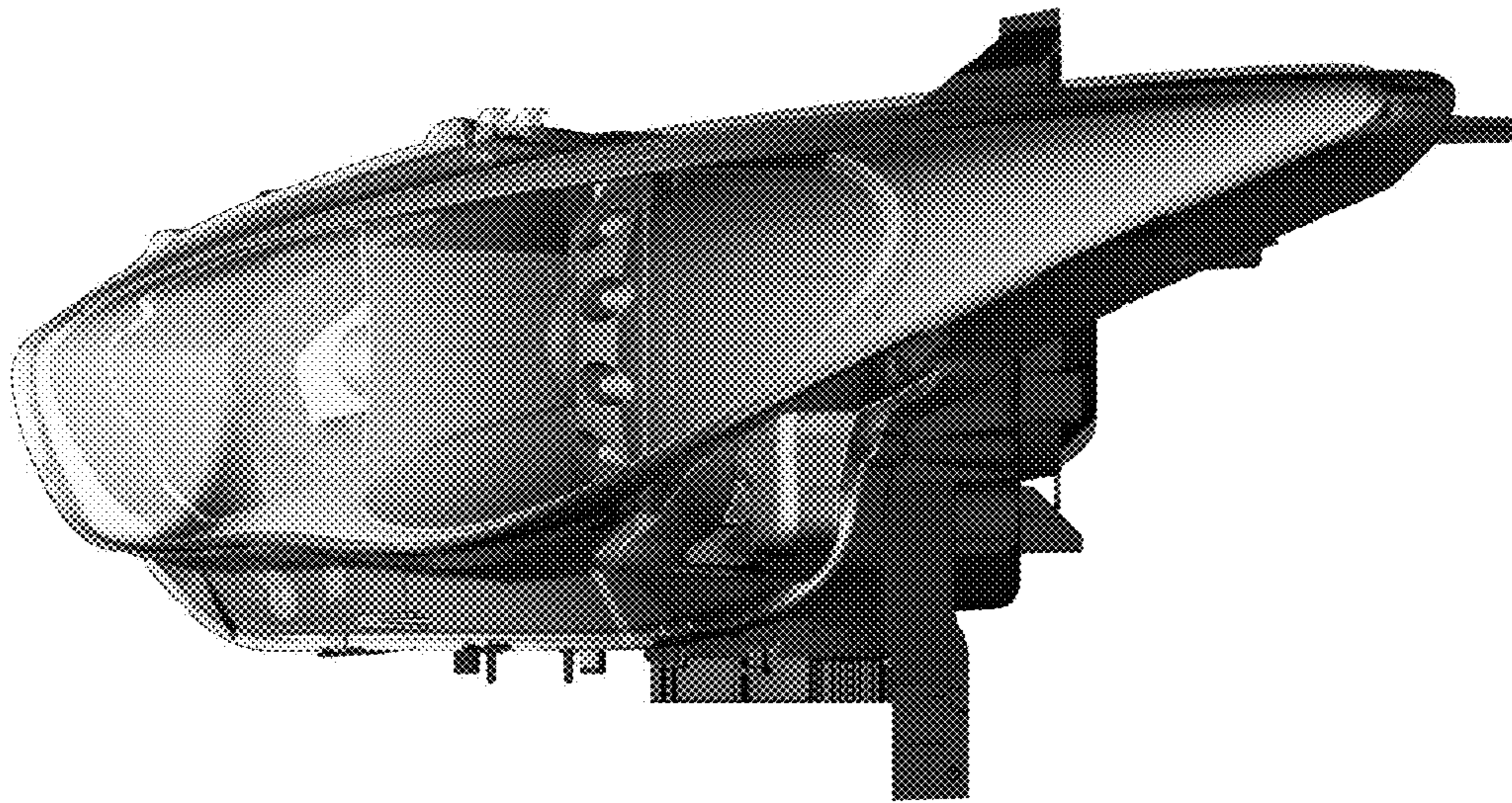


FIG. 1

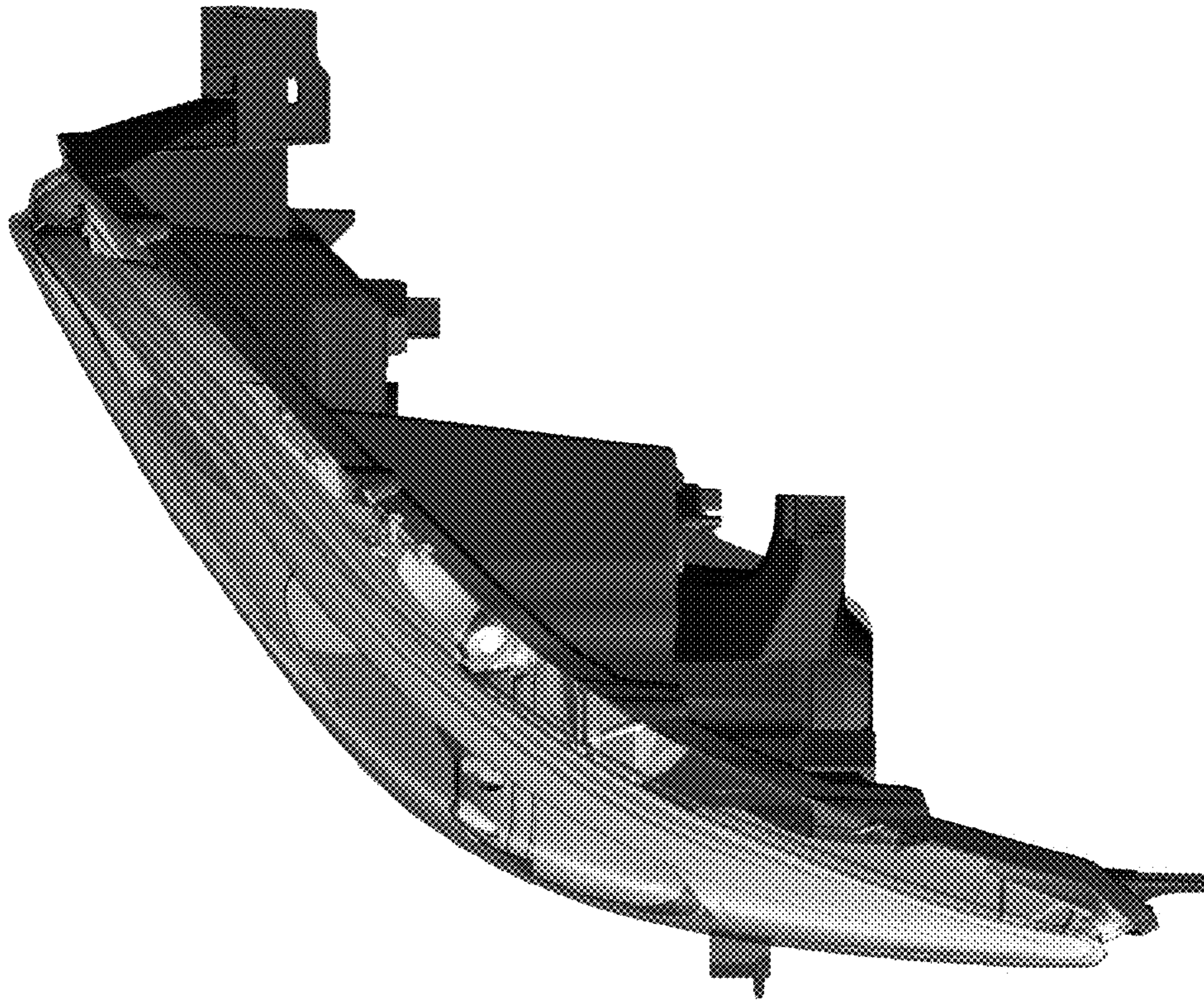


FIG. 2

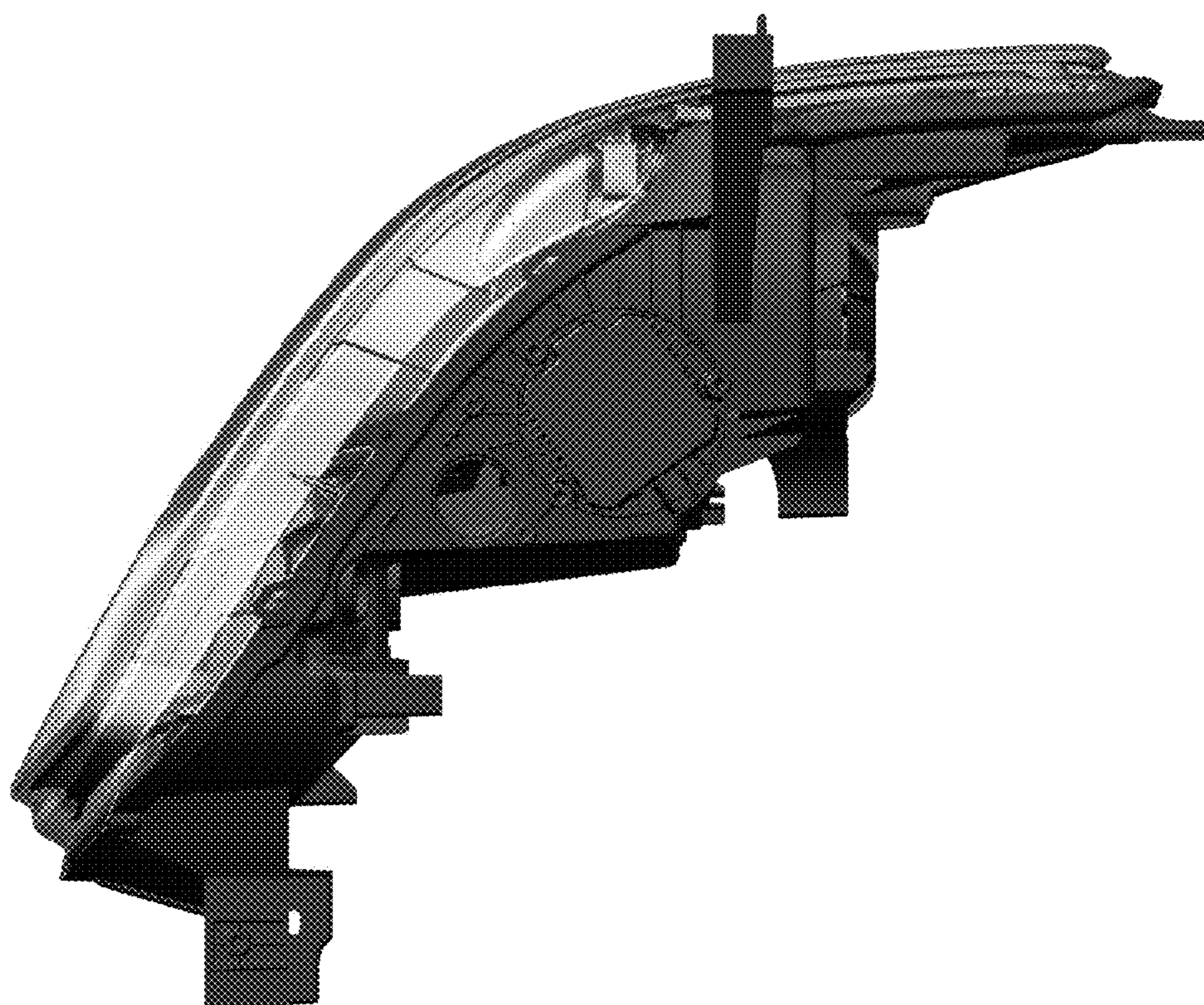


FIG. 3



FIG. 4

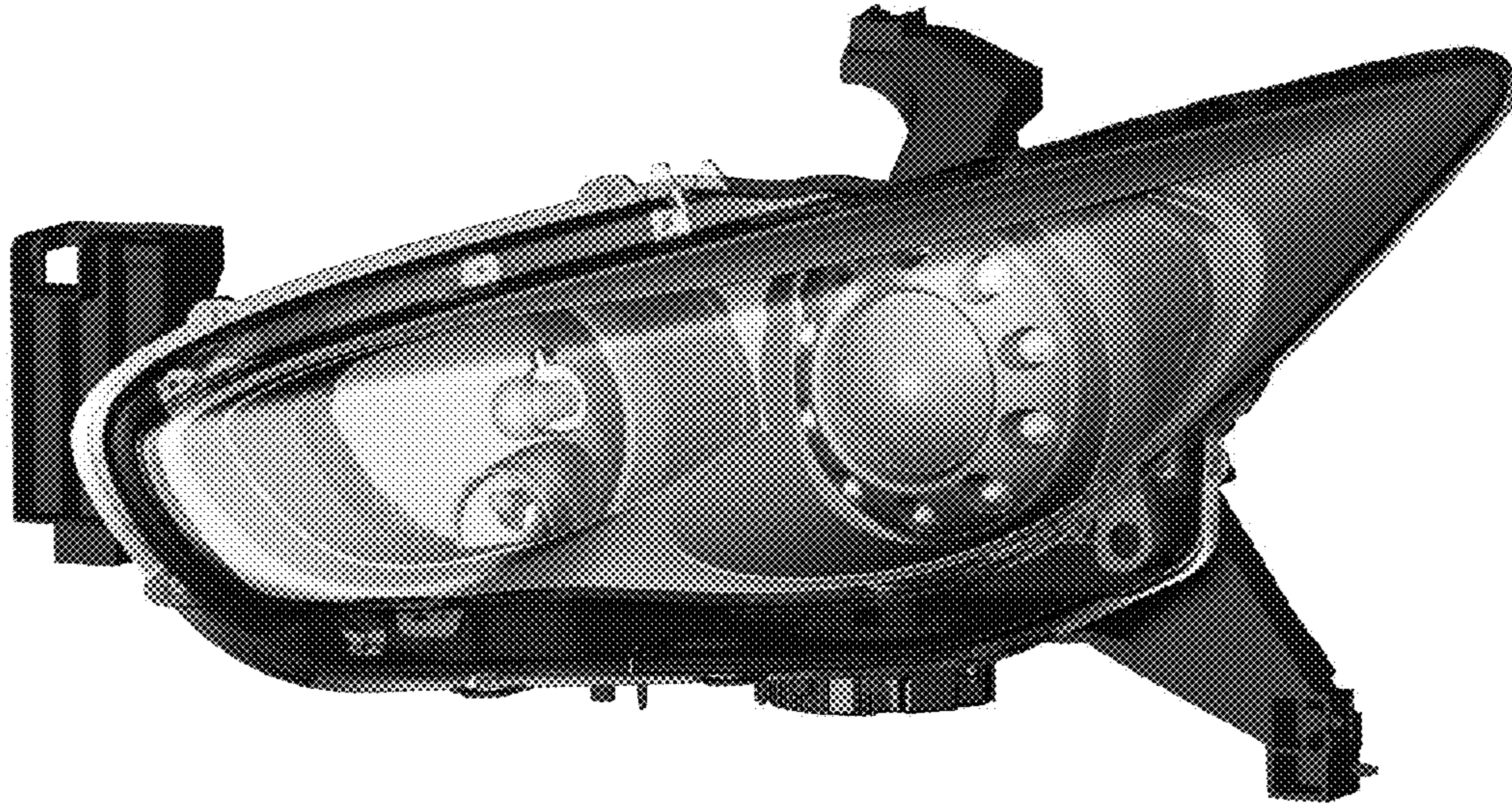


FIG. 5