



US00D679038S

(12) **United States Design Patent**  
**Hamasaki**

(10) **Patent No.:** **US D679,038 S**  
(45) **Date of Patent:** **\*\* Mar. 26, 2013**

(54) **ELECTRONIC BICYCLE LIGHT HOUSING**

**DESCRIPTION**

- (75) Inventor: **Noriaki Hamasaki**, Costa Mesa, CA (US)
- (73) Assignee: **SSB Design, Inc.**, Santa Ana, CA (US)
- (\*\*) Term: **14 Years**
- (21) Appl. No.: **29/399,611**
- (22) Filed: **Aug. 16, 2011**
- (51) **LOC (9) Cl.** ..... **26-06**
- (52) **U.S. Cl.** ..... **D26/28**
- (58) **Field of Classification Search** ..... D26/28-36;  
362/459-468, 475-478, 485-487  
See application file for complete search history.

(56) **References Cited**

U.S. PATENT DOCUMENTS

D490,172 S *	5/2004	Yamamoto	.....	D26/28
D554,279 S *	10/2007	Jeffries	.....	D26/28
D564,683 S *	3/2008	Roach et al.	.....	D26/28
D570,009 S *	5/2008	Kani et al.	.....	D26/28
D574,978 S *	8/2008	Hyodo et al.	.....	D26/28
D584,840 S *	1/2009	Okuda et al.	.....	D26/28
D588,722 S *	3/2009	Cheng	.....	D26/28
D667,152 S *	9/2012	Hamasaki	.....	D26/28

\* cited by examiner

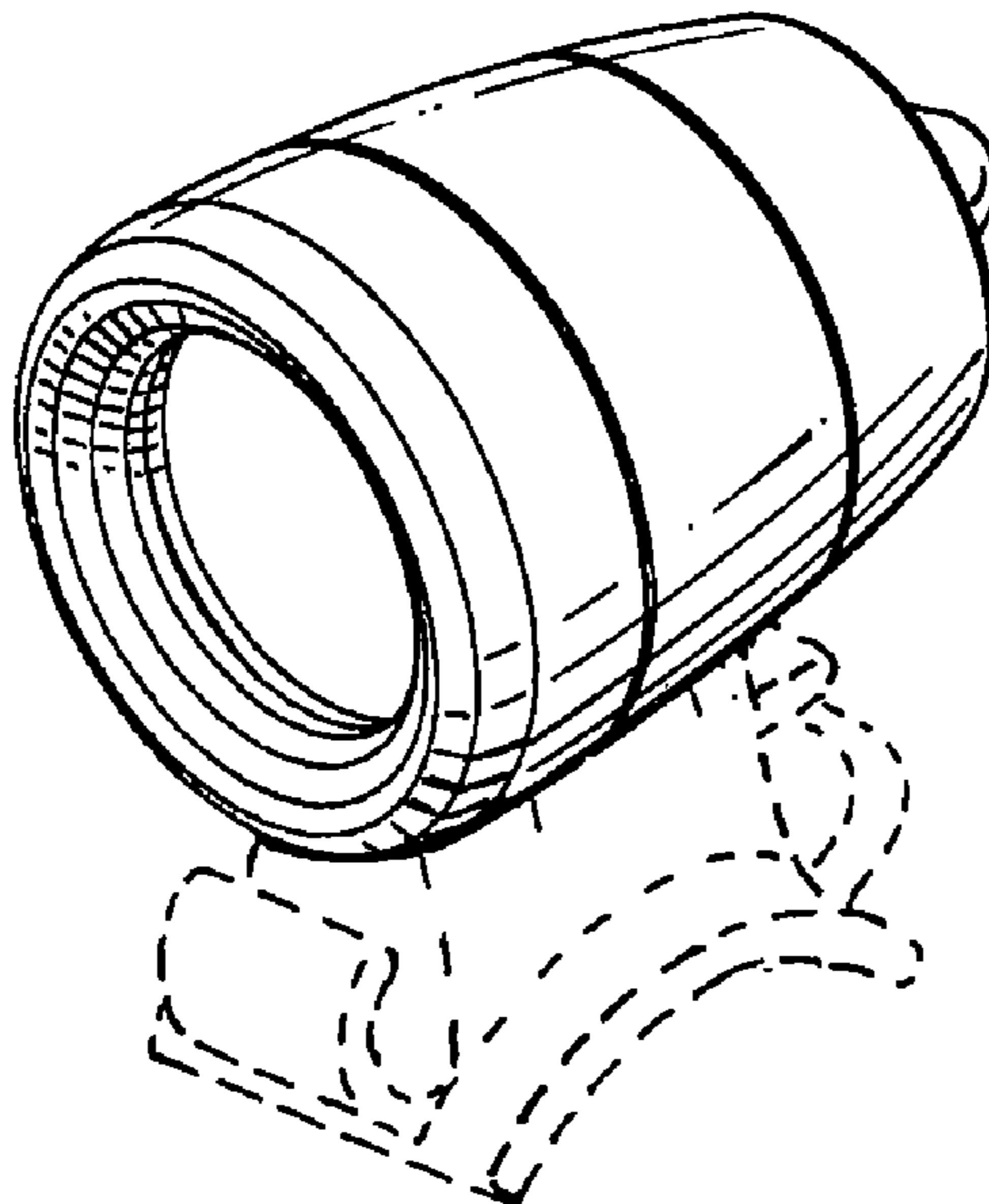
*Primary Examiner* — Marcus Jackson

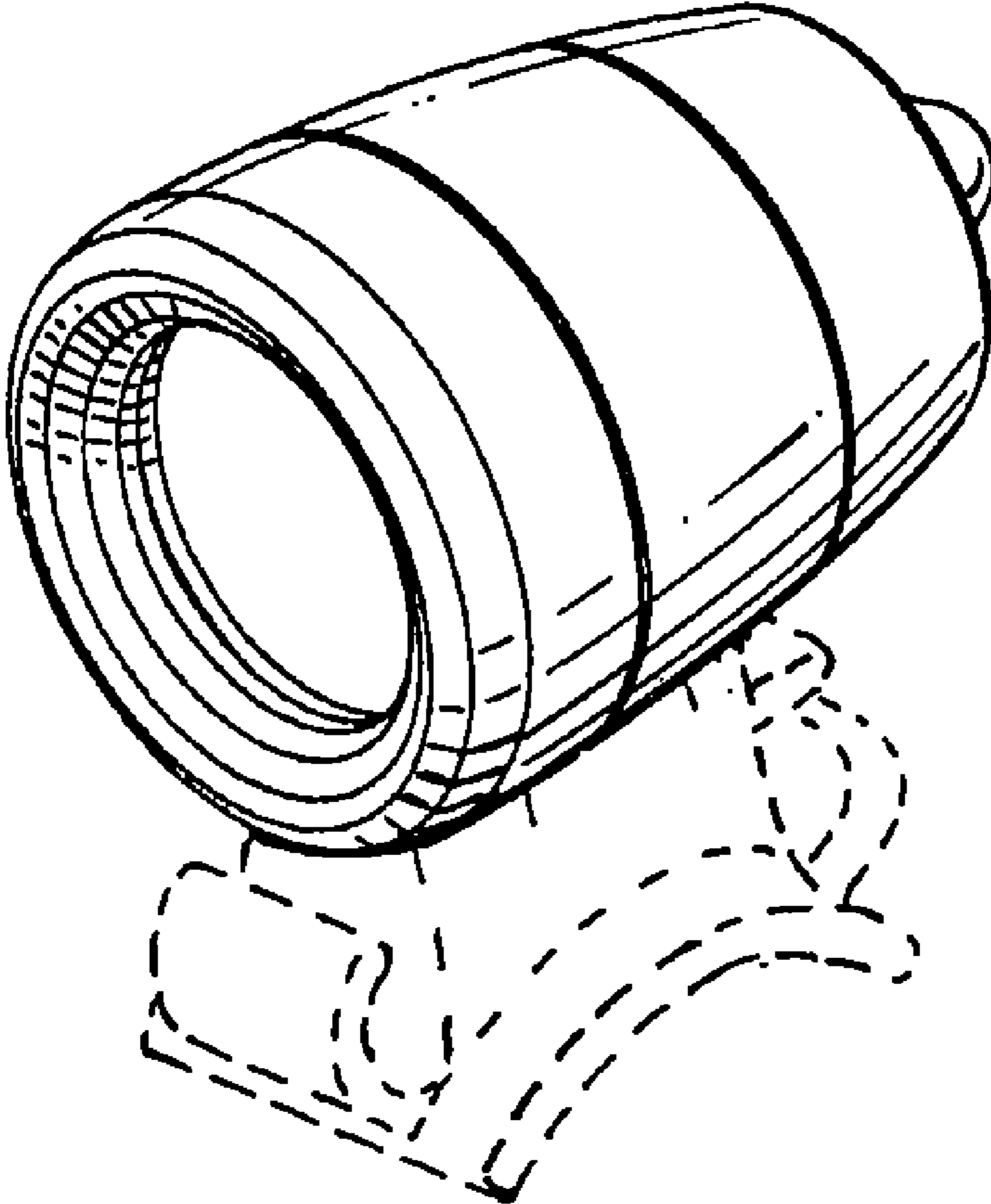
(57) **CLAIM**

I claim an ornamental design for the electronic bicycle light housing, as shown and described.

FIG. 1 is a perspective view of the electronic bicycle light housing of the present invention;  
 FIG. 2 is a rear elevational view of the electronic bicycle light housing of the present invention;  
 FIG. 3 is a front elevational view of the electronic bicycle light housing of the present invention;  
 FIG. 4 represents each of a symmetrical a side view, a plan view and a bottom view of the electronic bicycle light housing of the present invention;  
 FIG. 5 is a front elevational view of the electronic bicycle light housing of the present invention positioned within a mounting bracket that the electronic bicycle light housing may be embodied in;  
 FIG. 6 is a left side view of the electronic bicycle light housing of the present invention positioned within a mounting bracket that the electronic bicycle light housing may be embodied in;  
 FIG. 7 is a right side view of the electronic bicycle light housing of the present invention positioned within a mounting bracket that the electronic bicycle light housing may be embodied in;  
 FIG. 8 is a plan view of the electronic bicycle light housing of FIG. 1 of the present invention positioned within a mounting bracket that the electronic bicycle light housing may be embodied in;  
 FIG. 9 is a bottom view of the electronic bicycle light housing of the present invention positioned within a mounting bracket that the electronic bicycle light housing may be embodied in;  
 and,  
 FIG. 10 is a rear elevational view of the electronic bicycle light housing of the present invention positioned within a mounting bracket that the electronic bicycle light housing may be embodied in.  
 The broken line showing of the bracket is included for the purpose of illustrating only and forms no part of the claimed design.

**1 Claim, 4 Drawing Sheets**





**FIG. 1**

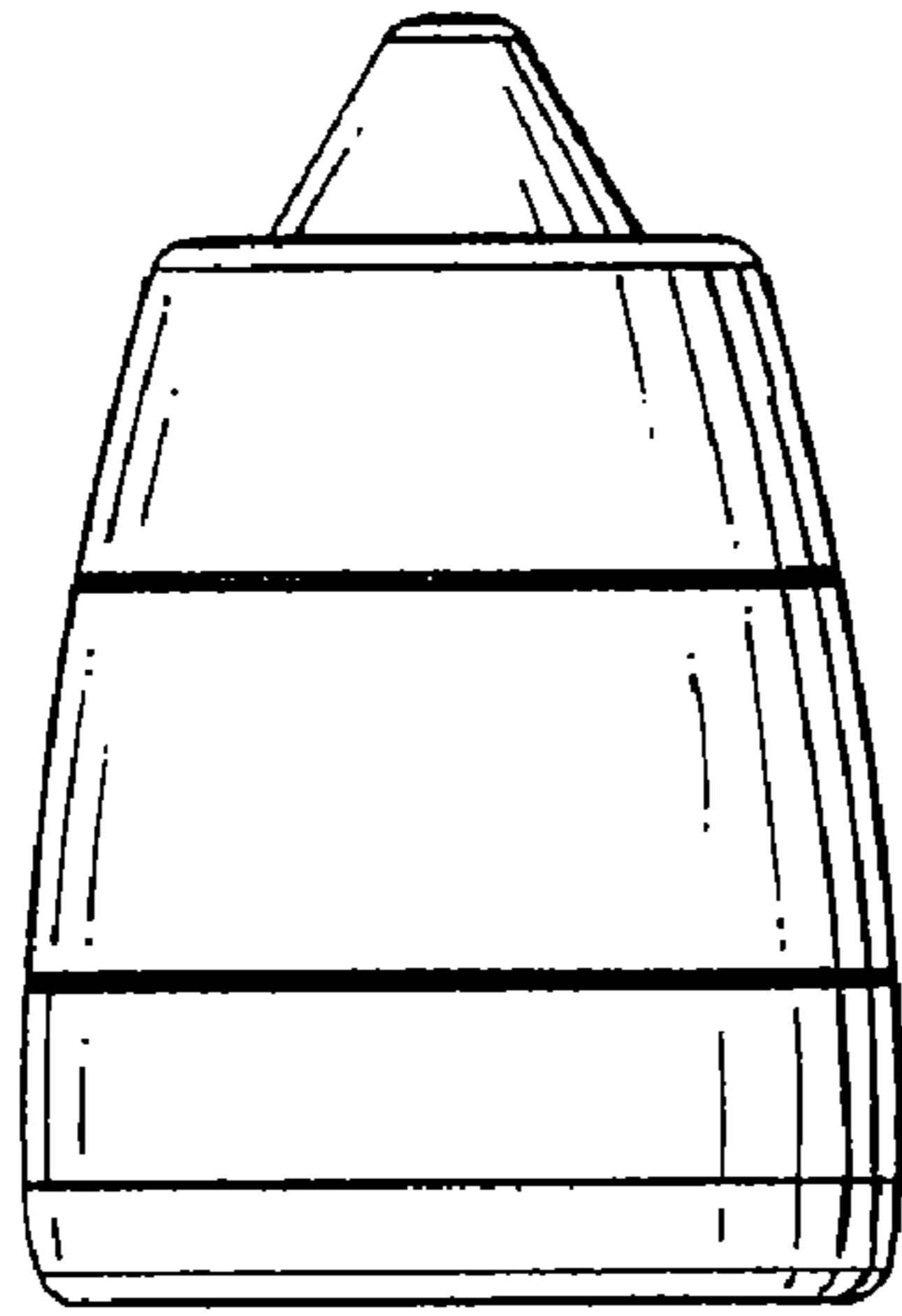


FIG. 4

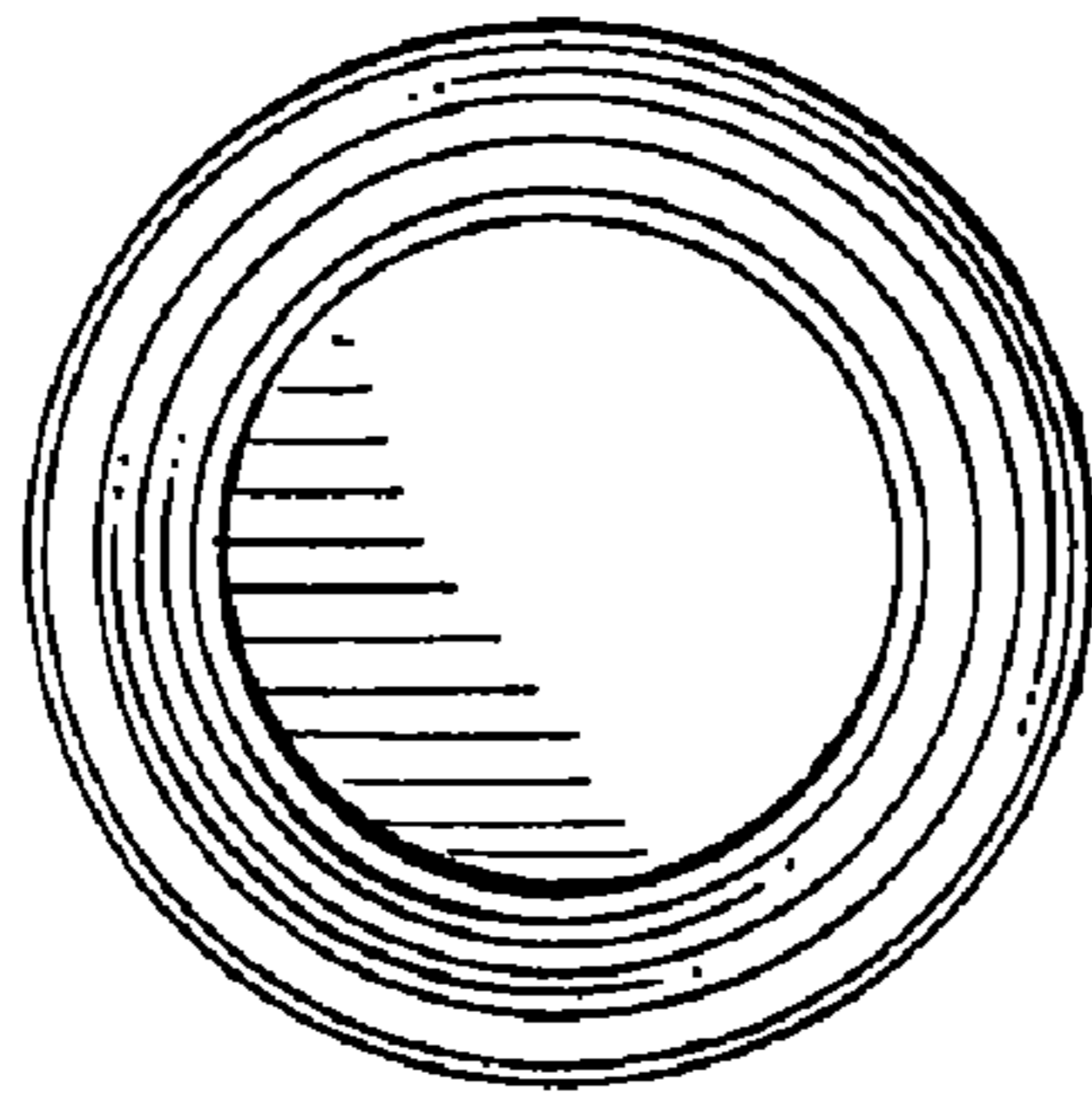


FIG. 3

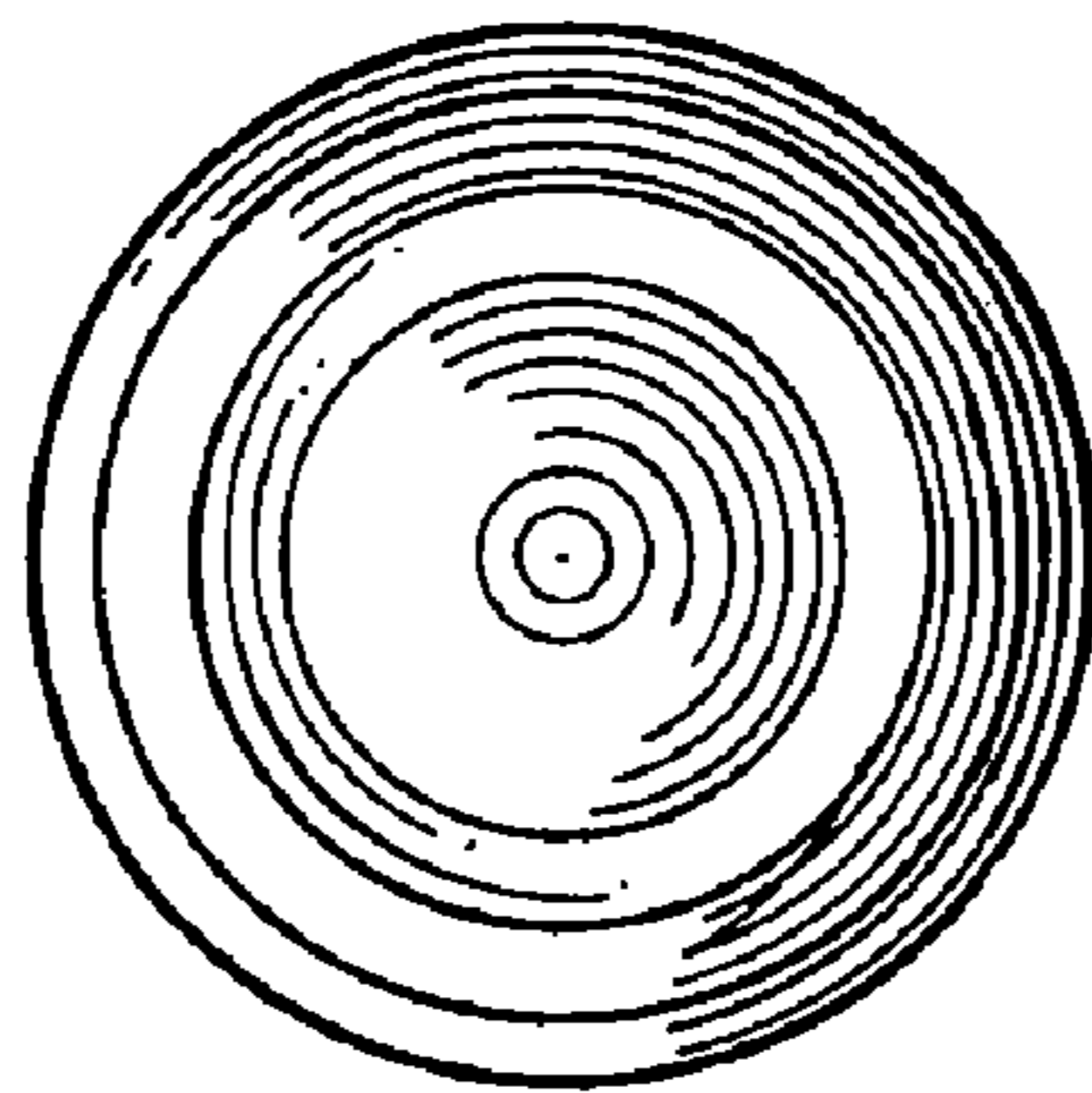


FIG. 2

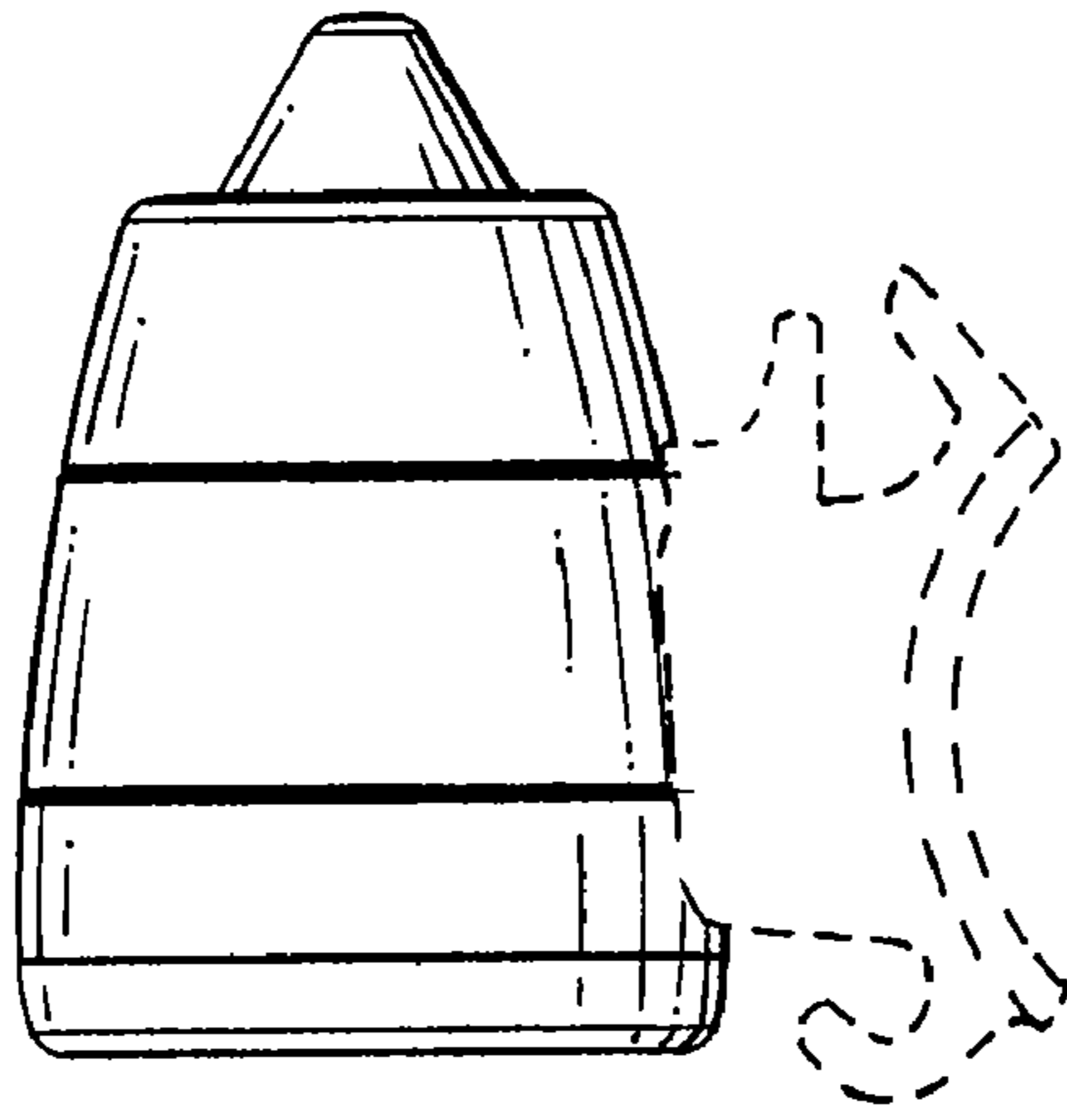


FIG. 7

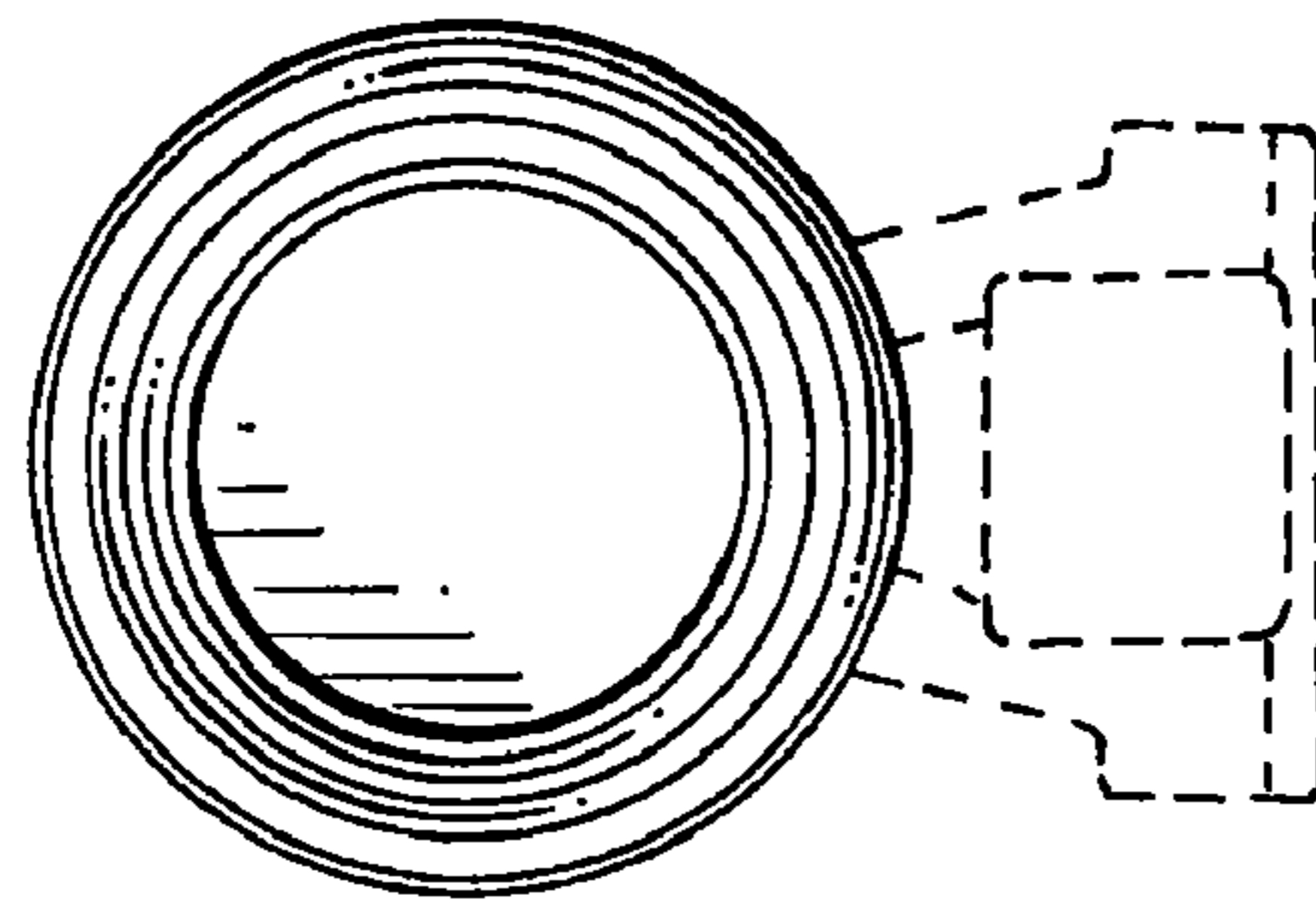


FIG. 5

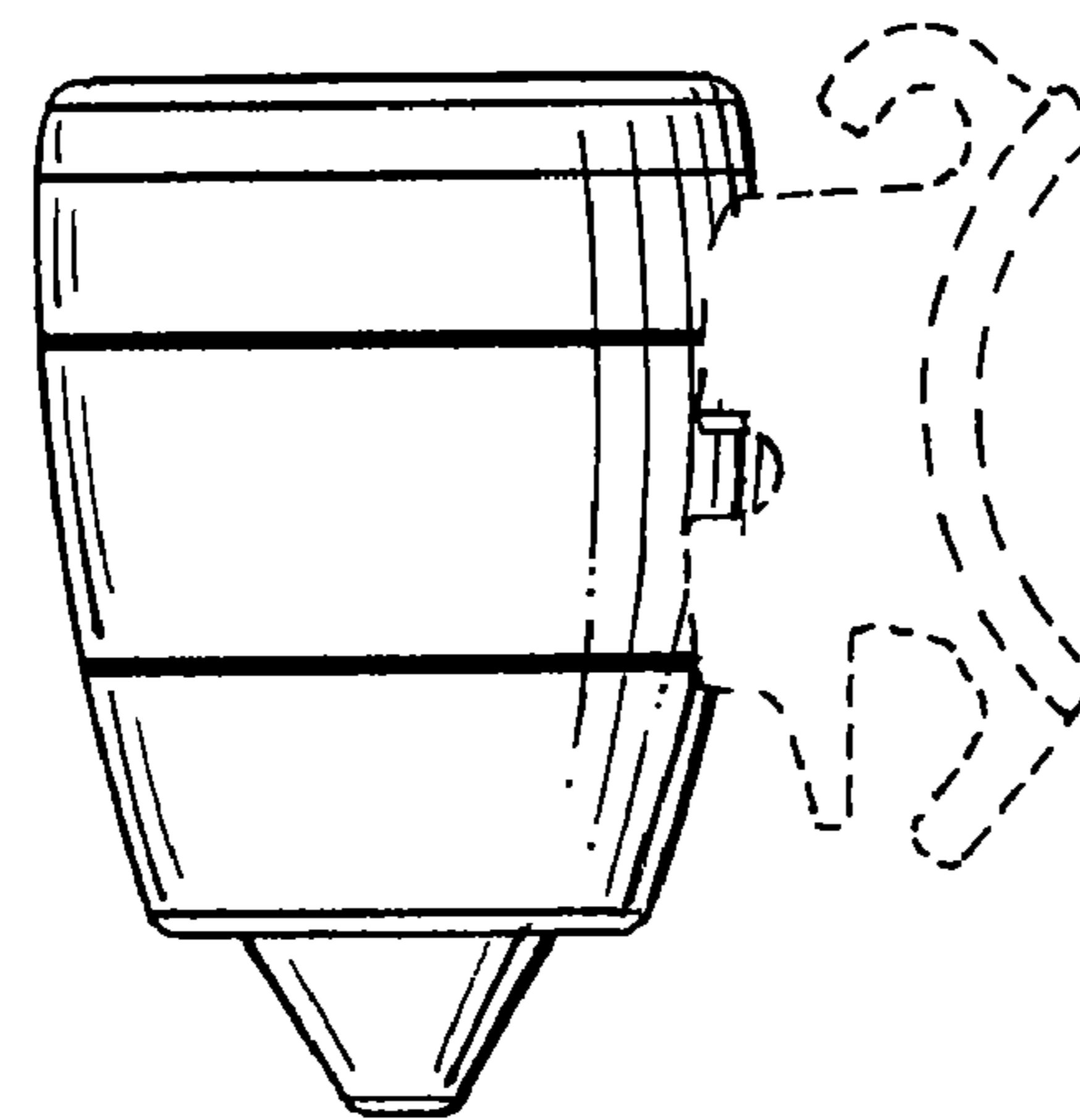
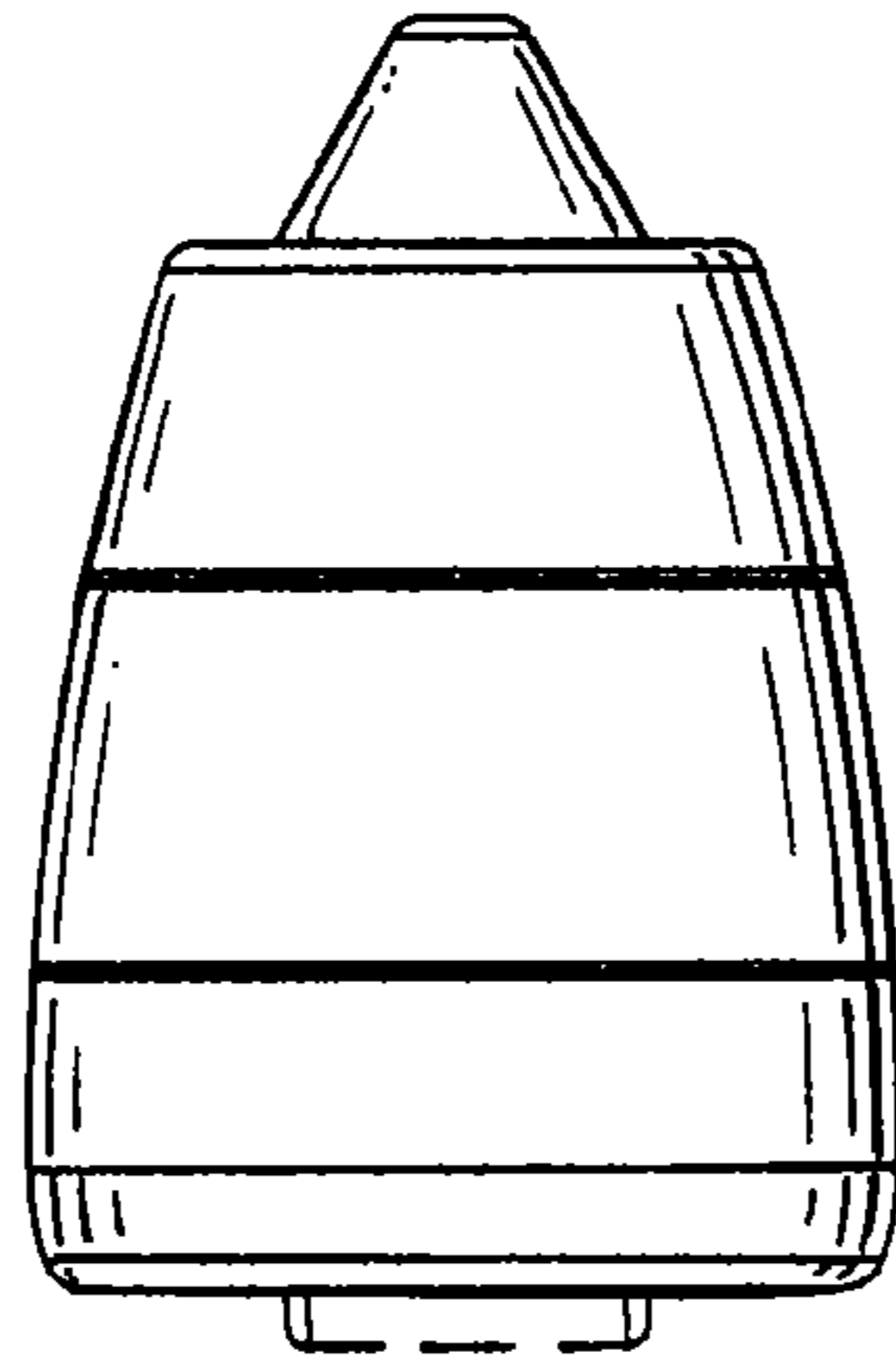
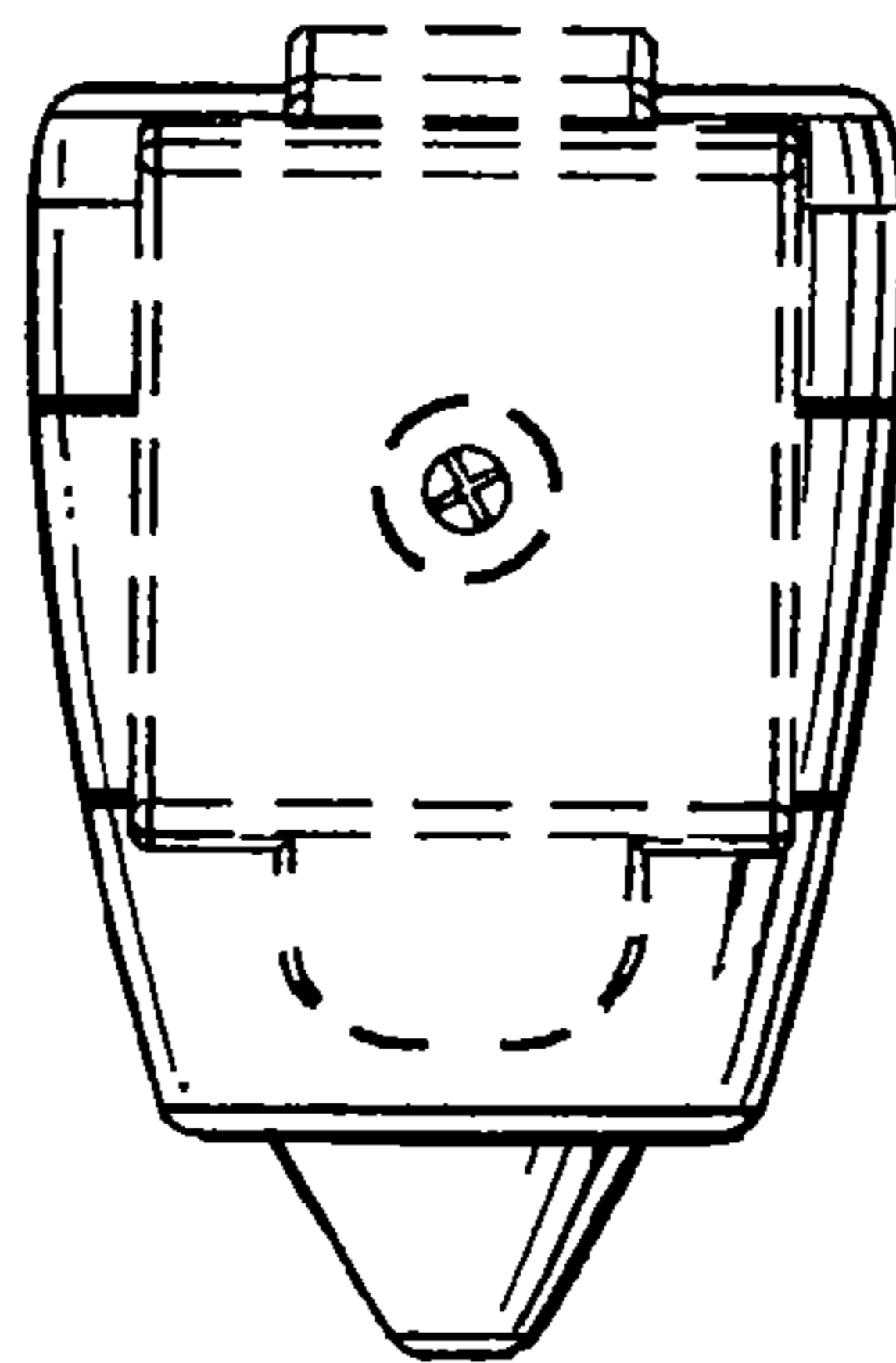


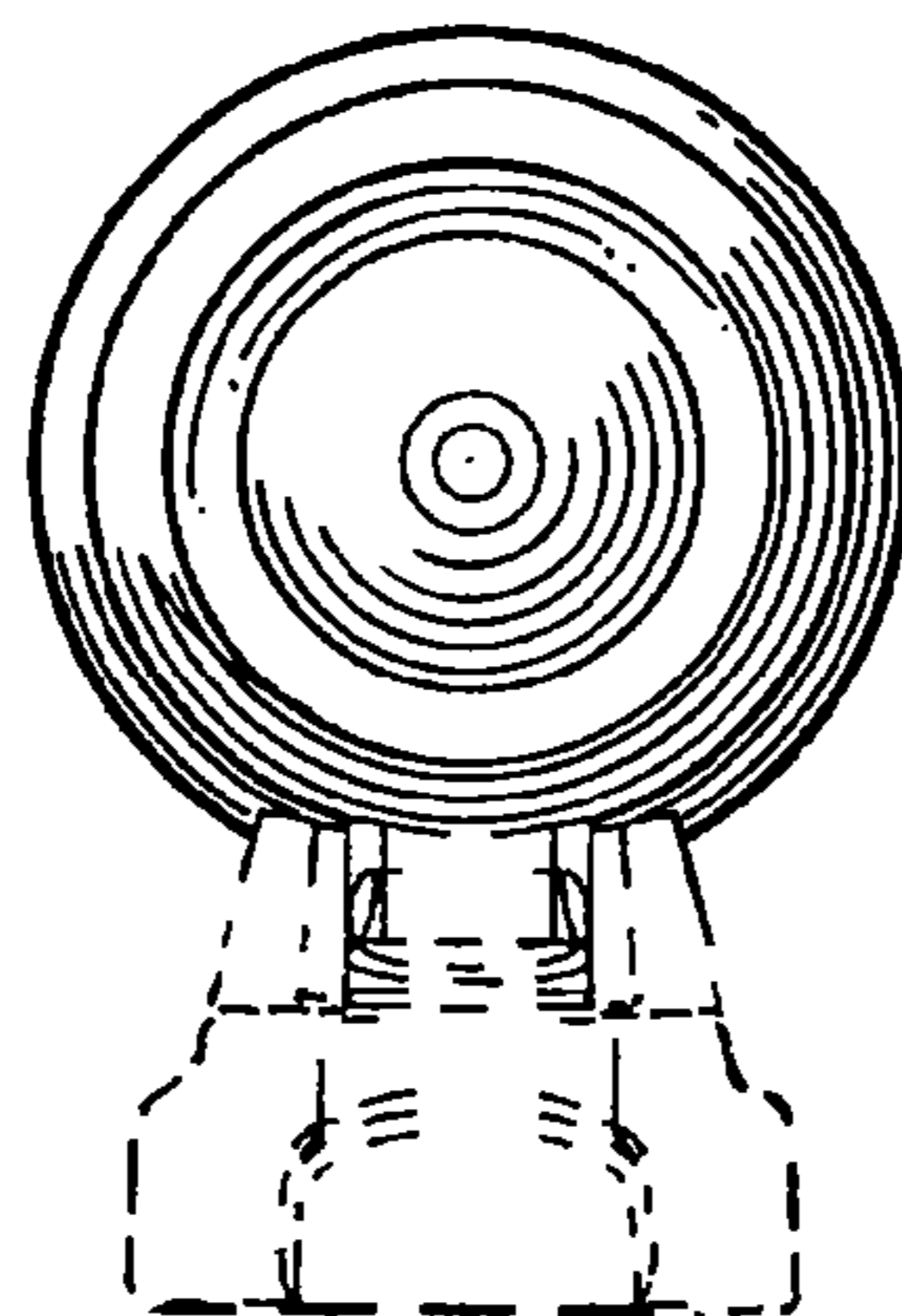
FIG. 6



**FIG. 8**



**FIG. 9**



**FIG. 10**