



US00D679037S

(12) **United States Design Patent**
Fukui et al.

(10) **Patent No.:** **US D679,037 S**
(45) **Date of Patent:** **** Mar. 26, 2013**

(54) **FRONT COMBINATION LAMP FOR AN
AUTOMOBILE**

D632,813 S 2/2011 Kim et al.
D636,100 S 4/2011 Okamura et al.
D642,306 S 7/2011 Tokizane

(75) Inventors: **Hirofumi Fukui**, Kariya (JP); **Daisuke
Nagayasu**, Kariya (JP)

(73) Assignee: **Toyota Jidosha Kabushiki Kaisha**,
Toyota-shi (JP)

(**) Term: **14 Years**

(21) Appl. No.: **29/388,638**

(22) Filed: **Mar. 31, 2011**

(51) **LOC (9) Cl.** **26-06**

(52) **U.S. Cl.** **D26/28**

(58) **Field of Classification Search** D26/28-36;
362/459-468, 475-478, 485-487

See application file for complete search history.

(56) **References Cited**

U.S. PATENT DOCUMENTS

| | | | |
|--------------|---------|-----------------|--------|
| D492,046 S | 6/2004 | Nakamura et al. | |
| D528,681 S * | 9/2006 | Nakahara | D26/28 |
| D528,685 S * | 9/2006 | Yoshida | D26/28 |
| D531,329 S | 10/2006 | Okamura et al. | |
| D544,114 S * | 6/2007 | Ohta | D26/28 |
| D544,614 S * | 6/2007 | Markefka | D26/28 |
| D549,857 S * | 8/2007 | Lin | D26/28 |
| D561,358 S * | 2/2008 | Tachibana | D26/28 |
| D625,858 S | 10/2010 | Miyata | |

OTHER PUBLICATIONS

Catalog of Prius, Toyota Prius, Mfg. Toyota, Pub.—Toyota Jidosha
Kabushiki Kaisha, Jun. 2009.

Catalog of Sai, Toyota Sai, Mfg. Toyota, Pub.—Toyota Jidosha
Kabushiki Kaisha, Dec. 2009.

Lexus ES, Mfg. Toyota, netcarshow.com, URL: <http://www.netcarshow/lexus>, 2010.

Suzuki Kizashi, Mfg. Suzuki, netcarshow.com, URL: <http://www.netcarshow/suzuki>, 2010.

* cited by examiner

Primary Examiner — Marcus Jackson

(74) *Attorney, Agent, or Firm* — Finnegan, Henderson,
Farabow, Garrett & Dunner, LLP

(57) **CLAIM**

The ornamental design for a front combination lamp for an
automobile, as shown and described.

DESCRIPTION

FIG. 1 is a front perspective view of a front combination lamp
for an automobile showing our new design;

FIG. 2 is a front view thereof;

FIG. 3 is a top plan view thereof;

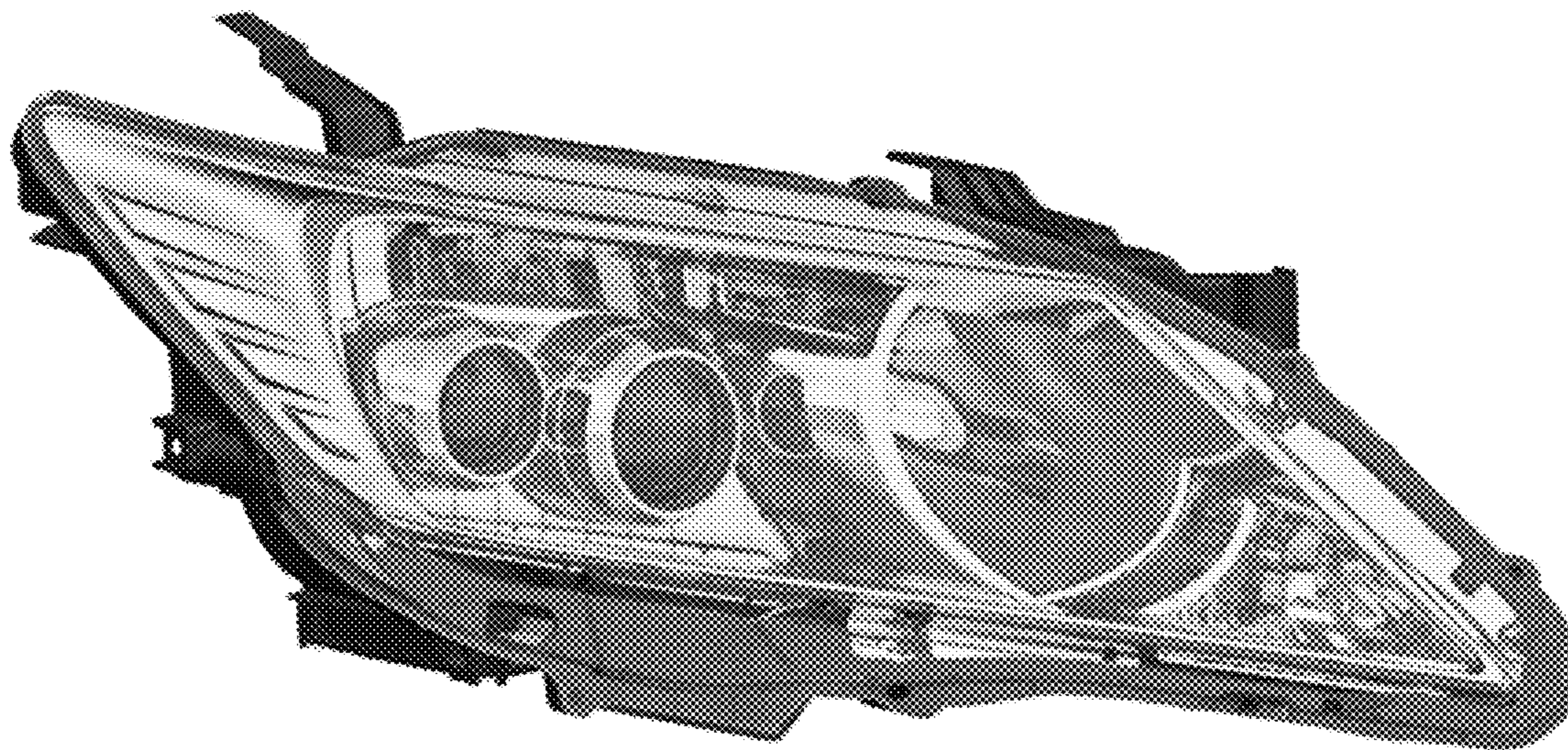
FIG. 4 is a bottom view thereof;

FIG. 5 is a right side view thereof; and,

FIG. 6 is a left side view thereof.

Our design includes a mirror image of the embodiment
depicted.

1 Claim, 3 Drawing Sheets



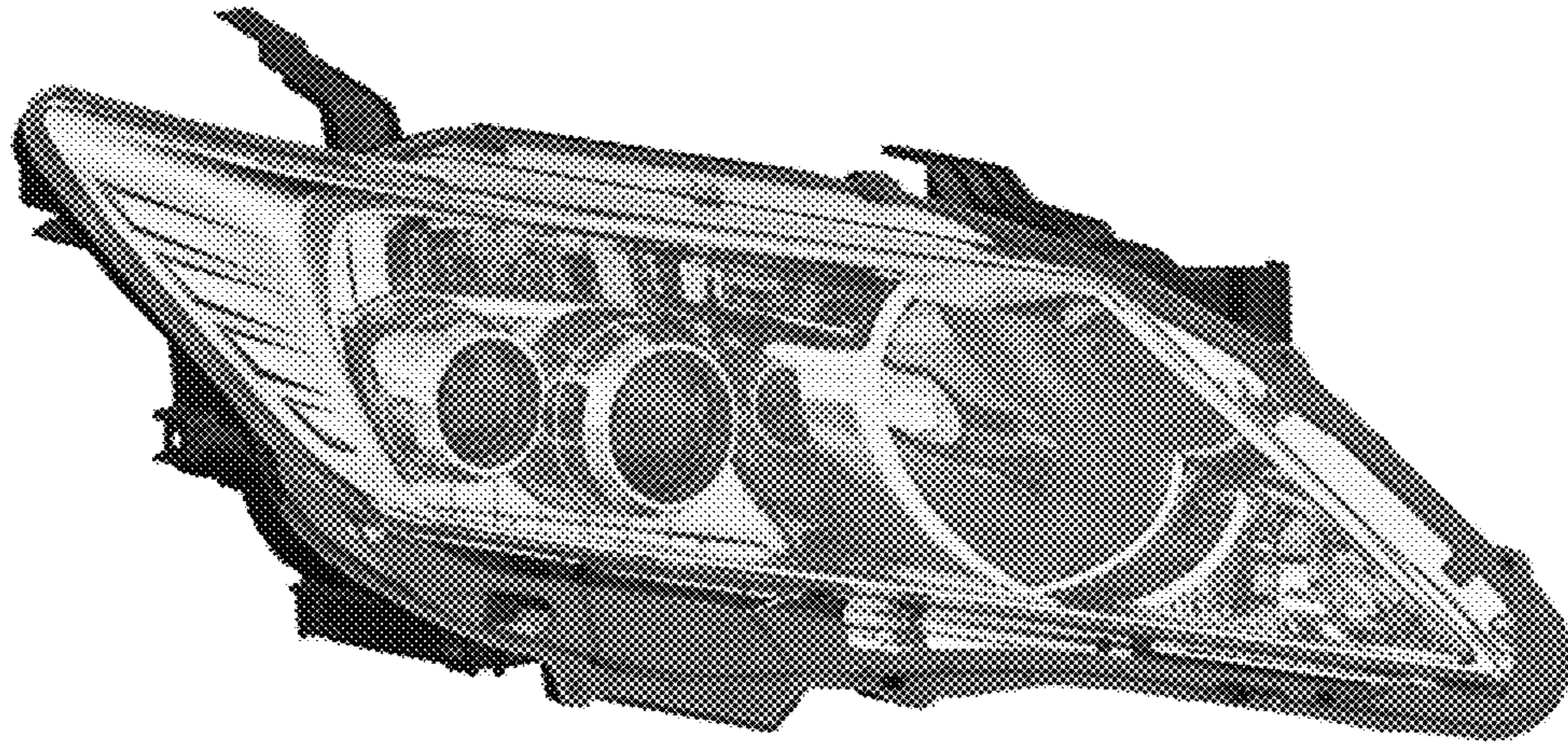


FIG. 1

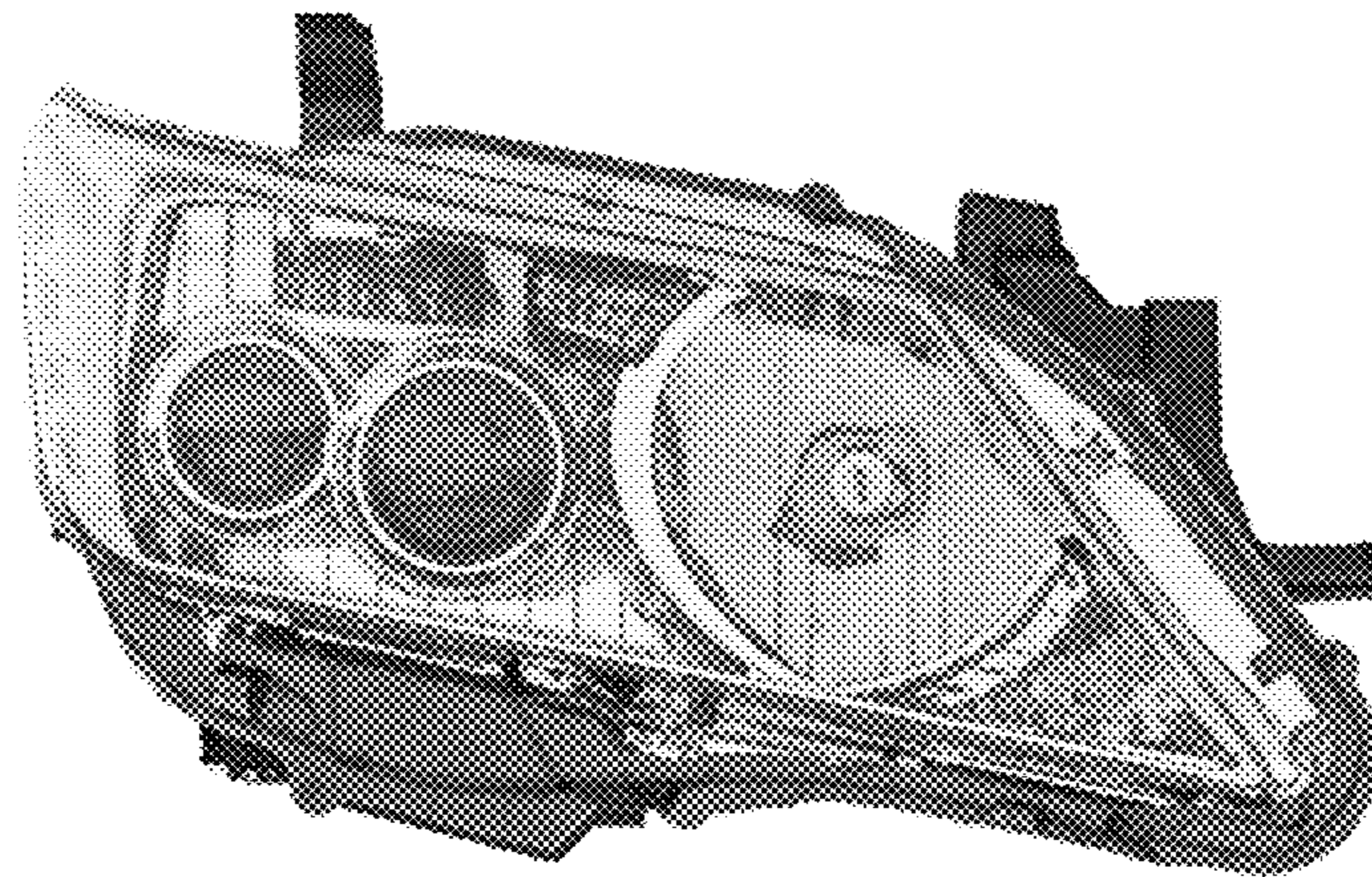


FIG. 2

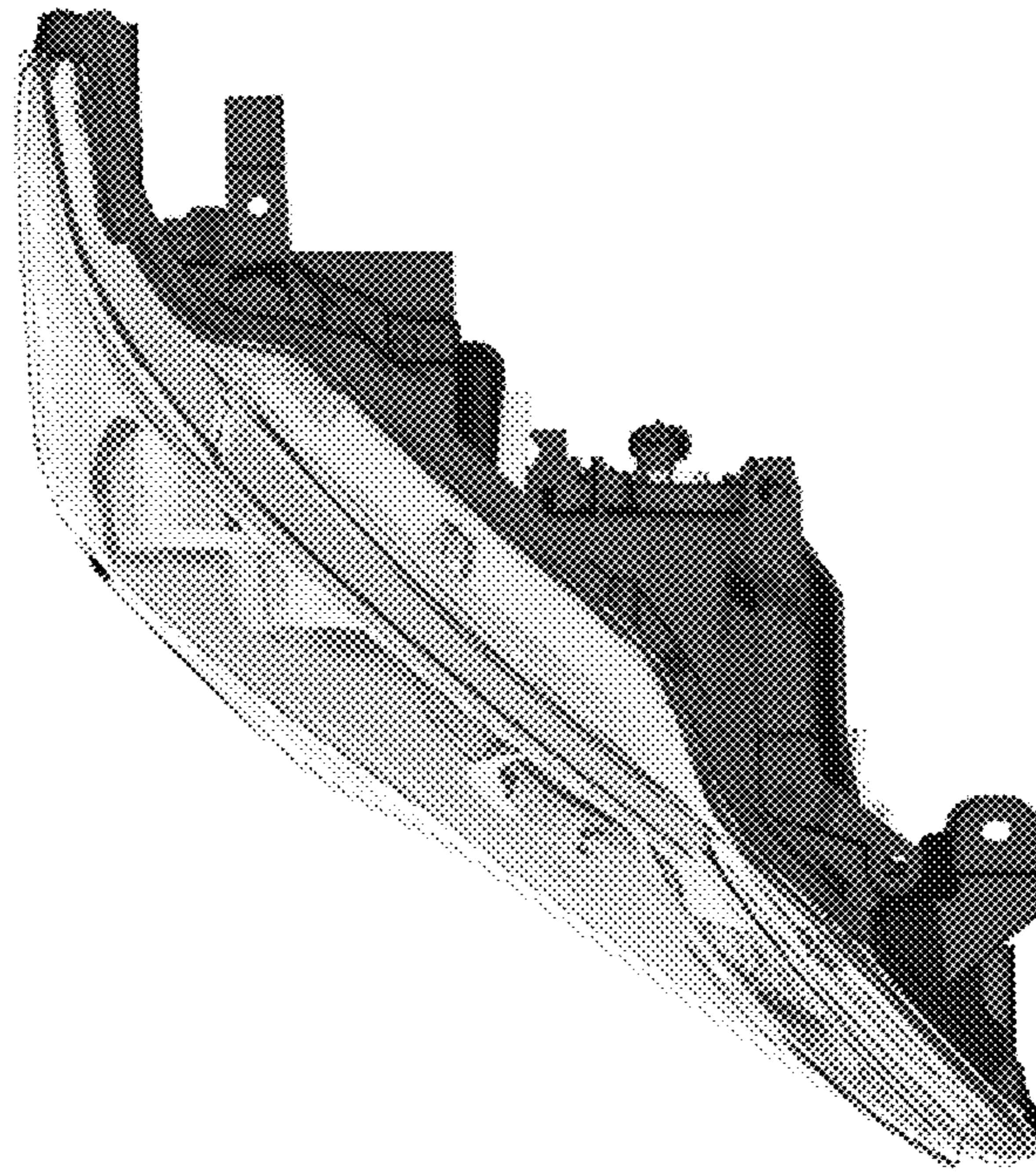


FIG. 3

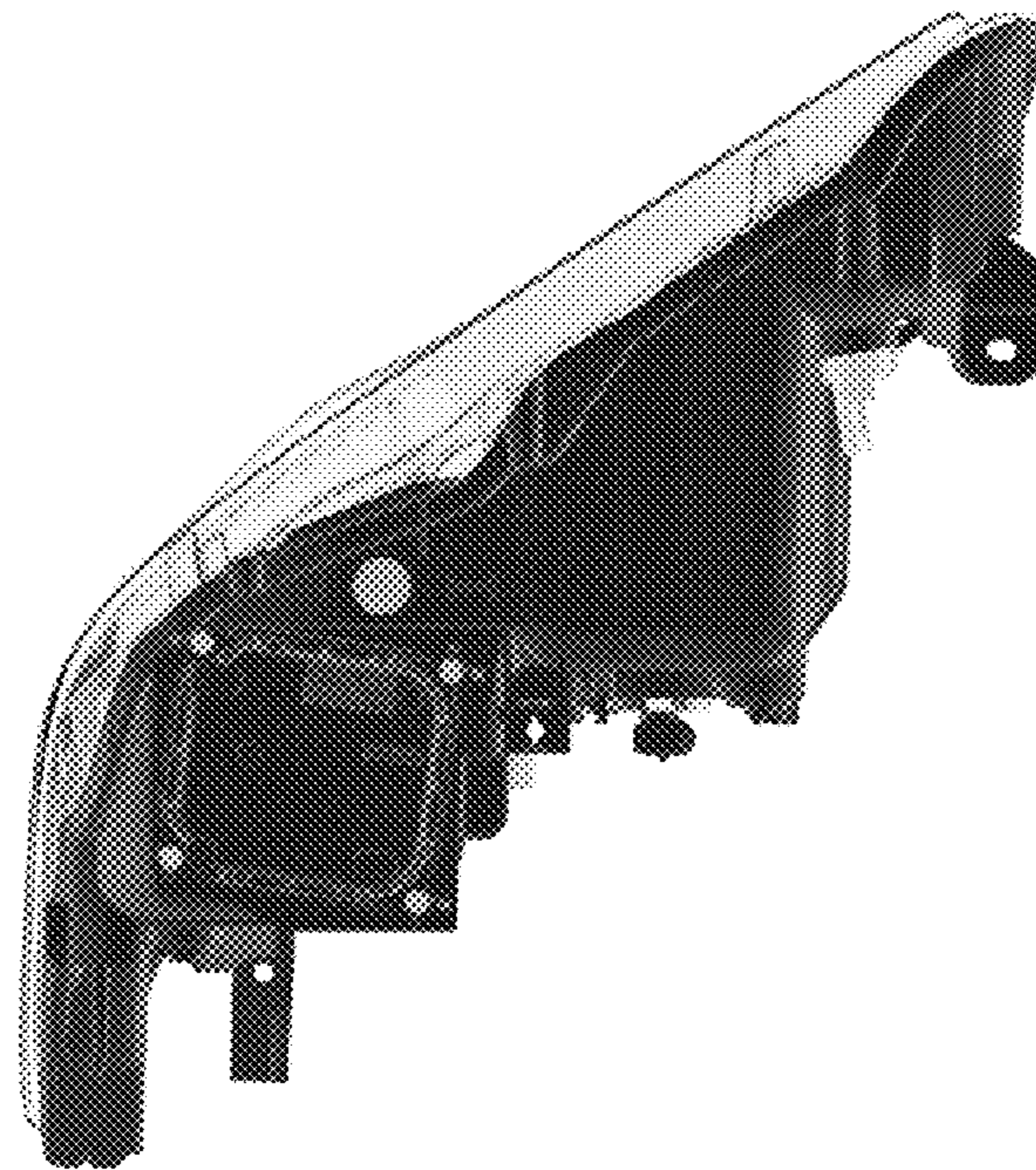


FIG. 4

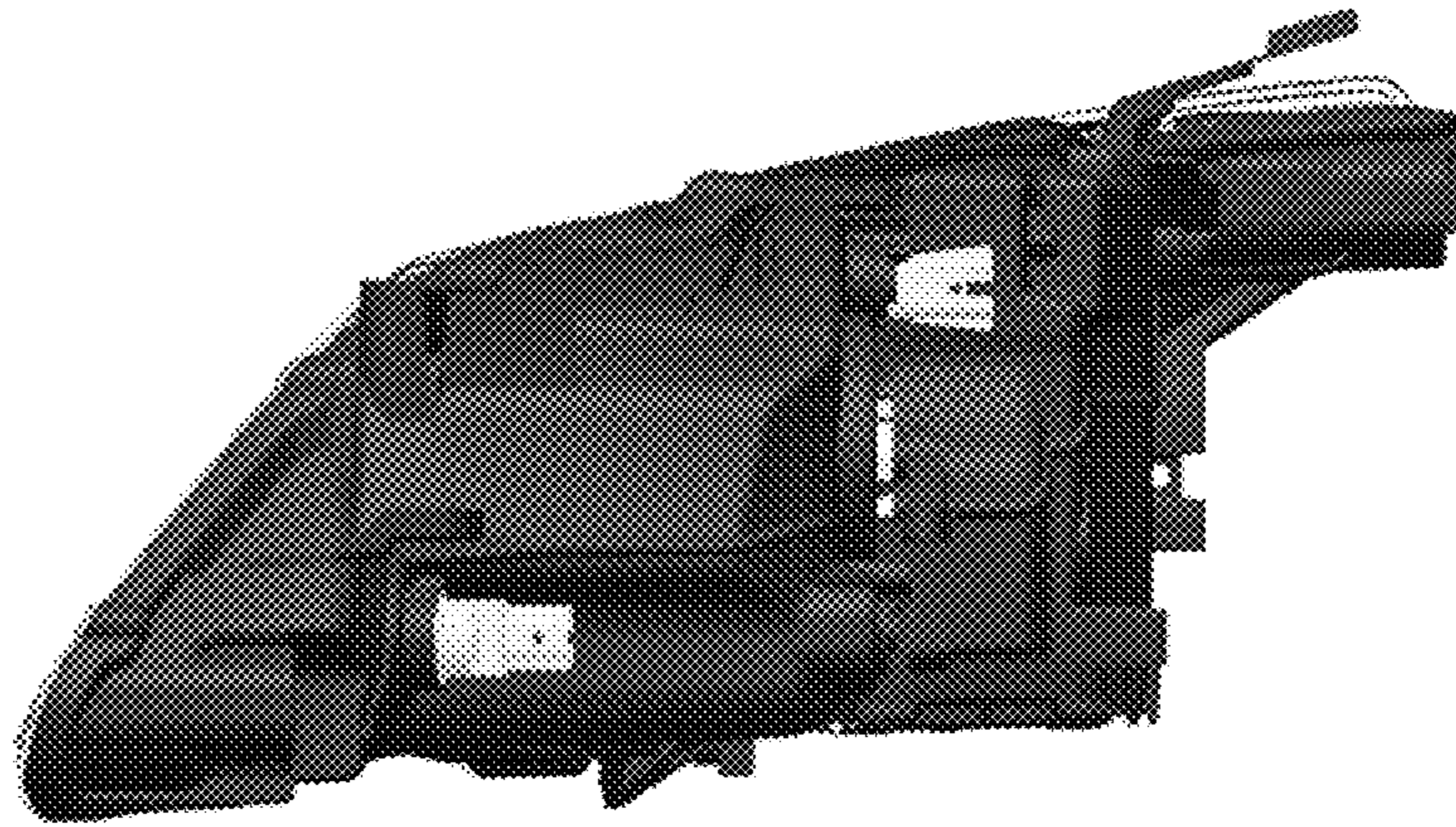


FIG. 5

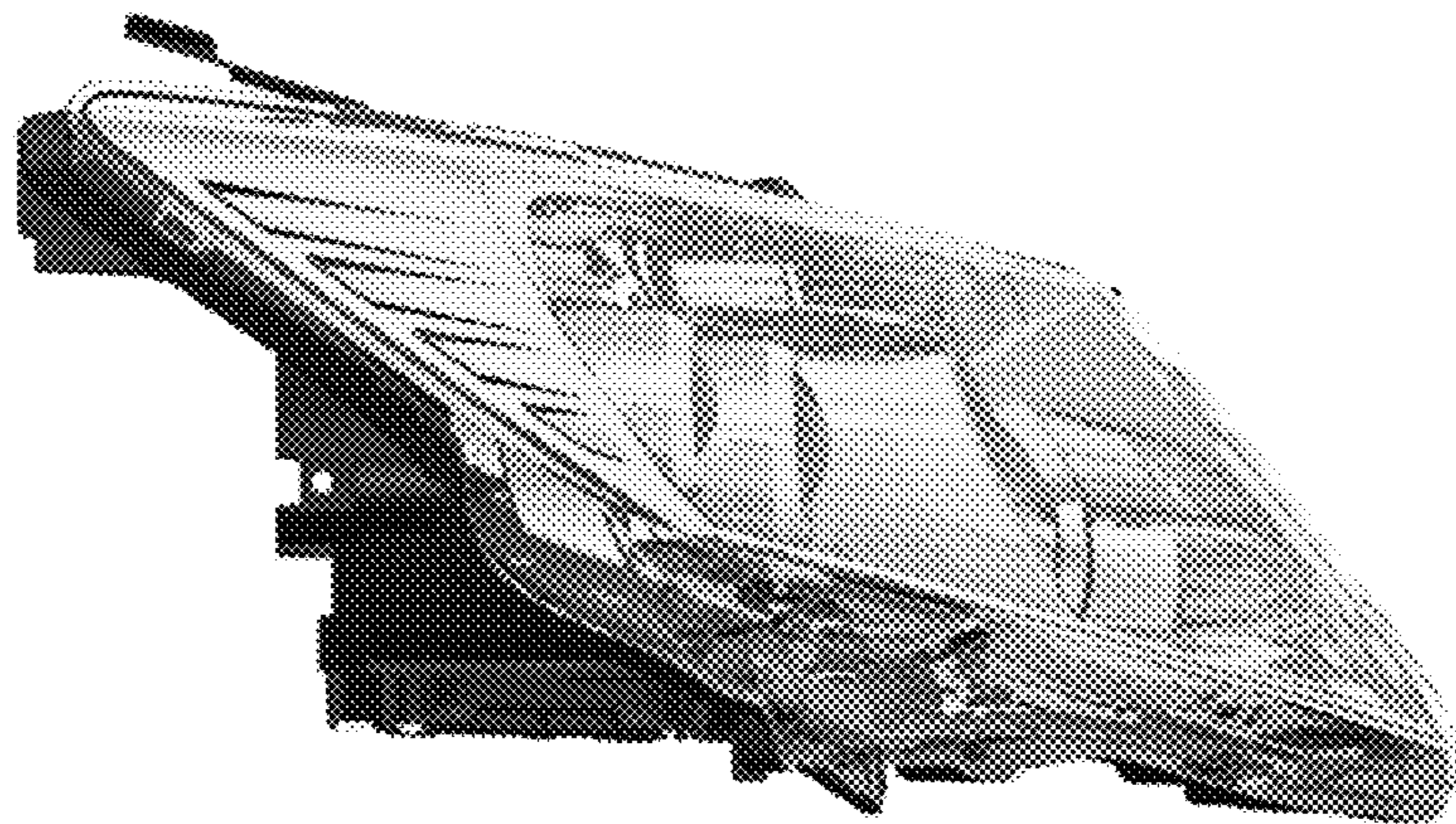


FIG. 6