

US00D679035S

(12) **United States Design Patent**
Le et al.

(10) **Patent No.:** **US D679,035 S**
(45) **Date of Patent:** **** Mar. 26, 2013**

(54) **LED LAMP**

(75) Inventors: **Long Larry Le**, Morrisville, NC (US);
Paul Pickard, Morrisville, NC (US);
James Michael Lay, Cary, NC (US)

(73) Assignee: **Cree, Inc.**, Durham, NC (US)

(**) Term: **14 Years**

(21) Appl. No.: **29/413,924**

(22) Filed: **Feb. 22, 2012**

Related U.S. Application Data

(62) Division of application No. 29/383,548, filed on Jan. 19, 2011.

(51) **LOC (9) Cl.** **26-04**

(52) **U.S. Cl.** **D26/2**

(58) **Field of Classification Search** D26/1-4;
313/313, 315, 316, 317, 318, 493; 315/52,
315/53, 56, 57, 58

See application file for complete search history.

(56) **References Cited**

U.S. PATENT DOCUMENTS

| | | | | |
|-----------|-----|---------|------------------|---------|
| 6,350,041 | B1 | 2/2002 | Tarsa | |
| 6,404,131 | B1 | 6/2002 | Kawano et al. | 315/82 |
| D508,575 | S * | 8/2005 | Buschmann et al. | D26/2 |
| D528,227 | S * | 9/2006 | Chou et al. | D26/2 |
| D531,741 | S * | 11/2006 | Takahashi | D26/2 |
| D534,665 | S * | 1/2007 | Egawa et al. | D26/2 |
| D538,953 | S * | 3/2007 | Mama | D26/2 |
| D541,440 | S * | 4/2007 | Feit | D26/2 |
| 7,213,940 | B1 | 5/2007 | Van De Ven | |
| D546,980 | S | 7/2007 | Lo | |
| D553,267 | S * | 10/2007 | Yuen | D26/2 |
| 7,350,936 | B2 | 4/2008 | Ducharme et al. | 362/231 |
| D581,556 | S | 11/2008 | To et al. | D26/12 |
| 7,600,882 | B1 | 10/2009 | Morejon et al. | 362/84 |
| 7,614,759 | B2 | 11/2009 | Negley | |
| 7,618,157 | B1 | 11/2009 | Galvez | |
| 7,663,315 | B1 | 2/2010 | Hulse | |
| 7,686,478 | B1 | 3/2010 | Hulse | |
| D615,220 | S | 5/2010 | Crane et al. | D26/2 |
| D629,928 | S | 12/2010 | Chen | |

| | | | | |
|--------------|-----|---------|-------------|---------|
| D653,366 | S | 1/2012 | Le et al. | |
| D654,193 | S * | 2/2012 | Tong et al. | D26/2 |
| D656,252 | S * | 3/2012 | Engl et al. | D26/2 |
| 2002/0047516 | A1 | 4/2002 | Iwasa | |
| 2003/0021113 | A1 | 1/2003 | Begemann | |
| 2003/0038291 | A1 | 2/2003 | Cao | |
| 2004/0159846 | A1 | 8/2004 | Doxsee | |
| 2005/0068776 | A1 | 3/2005 | Ge | 362/296 |
| 2005/0174780 | A1 | 8/2005 | Park | |
| 2005/0242711 | A1 | 11/2005 | Bloomfield | |

(Continued)

FOREIGN PATENT DOCUMENTS

| | | | |
|----|--------------|---|--------|
| CN | 101338887 | A | 1/2009 |
| DE | 102006061164 | | 6/2008 |

(Continued)

OTHER PUBLICATIONS

International Search Report and Written Opinion for PCT Patent Application No. PCT/US2011/000405 mailed Nov. 2, 2011.

(Continued)

Primary Examiner — Marcus Jackson

(74) *Attorney, Agent, or Firm* — Koppel, Patrick, Heybl & Philpott

(57) **CLAIM**

The ornamental design for a LED lamp, as shown and described.

DESCRIPTION

FIG. 1 is a perspective view of an LED lamp according to an embodiment of the present invention.

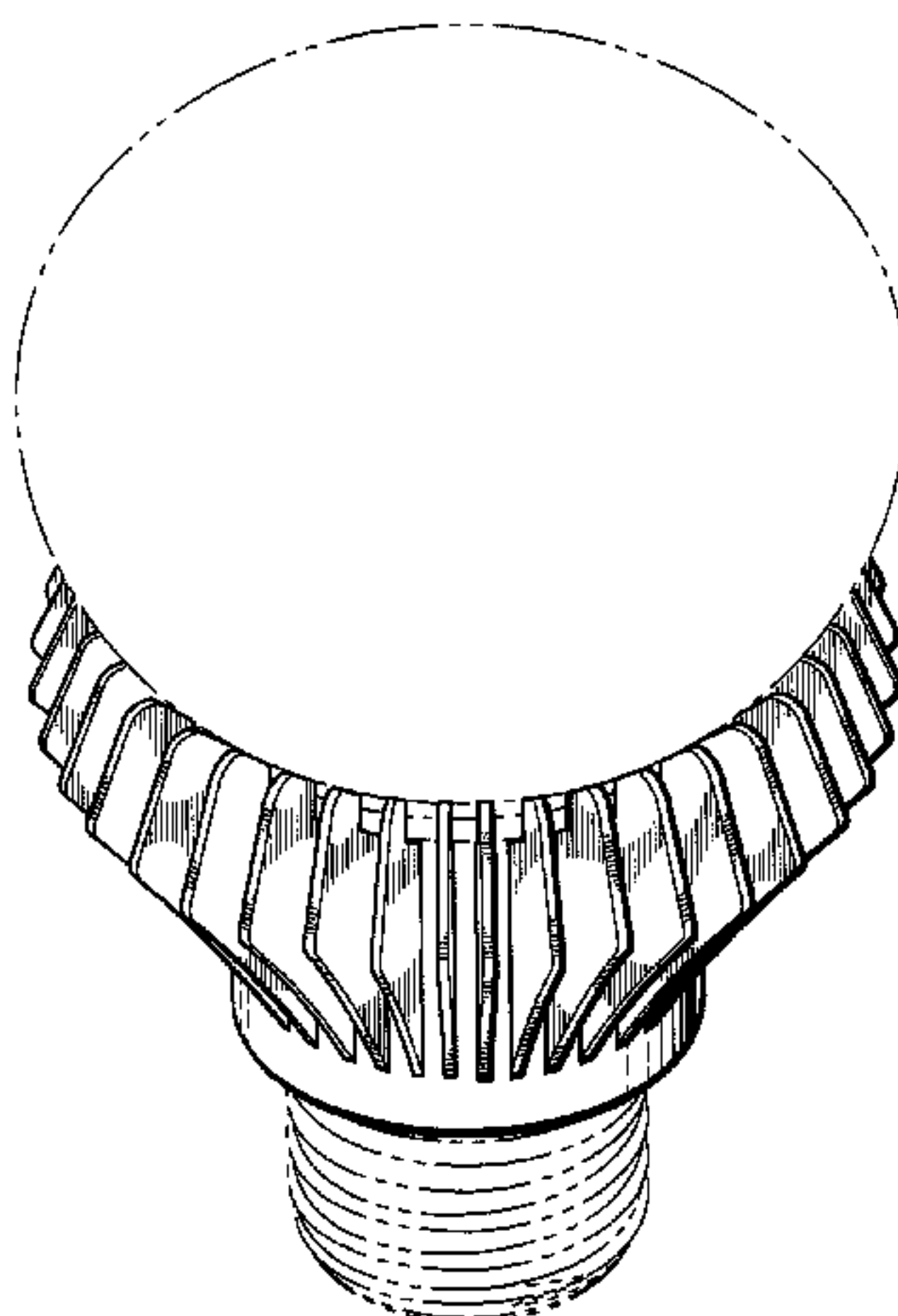
FIG. 2 is a front elevation view of the LED lamp shown in FIG. 1, with the rear and side views being substantially identical in ornamental appearance.

FIG. 3 is a top plan view of the LED lamp shown in FIG. 1; and,

FIG. 4 is a bottom plan view of the LED lamp shown in FIG. 1.

The broken lines shown in FIGS. 1-4 depict environmental subject matter only and form no part of the claimed design in those embodiments.

1 Claim, 3 Drawing Sheets



U.S. PATENT DOCUMENTS

| | | | | |
|--------------|----|---------|--------------------|---------|
| 2006/0097385 | A1 | 5/2006 | Negley | 257/722 |
| 2007/0139938 | A1 | 6/2007 | Petroski | |
| 2007/0206375 | A1 | 9/2007 | Lys | |
| 2007/0223219 | A1 | 9/2007 | Medendorp | |
| 2007/0263405 | A1 | 11/2007 | Ng | |
| 2007/0297183 | A1 | 12/2007 | Coushaine | |
| 2008/0080165 | A1 | 4/2008 | Kim | |
| 2008/0128735 | A1 | 6/2008 | Yoo | |
| 2009/0059559 | A1 | 3/2009 | Pabst | |
| 2009/0101930 | A1 | 4/2009 | Li | |
| 2009/0103293 | A1 | 4/2009 | Harbers | |
| 2009/0103296 | A1 | 4/2009 | Harbers | |
| 2009/0262516 | A1 | 10/2009 | Li | 362/84 |
| 2009/0316383 | A1 | 12/2009 | Son | |
| 2009/0322197 | A1 | 12/2009 | Helbing | |
| 2009/0322800 | A1 | 12/2009 | Atkins | 345/690 |
| 2010/0025700 | A1 | 2/2010 | Jung | |
| 2010/0091487 | A1 | 4/2010 | Shin | 362/235 |
| 2010/0134047 | A1 | 6/2010 | Hasnain | |
| 2010/0155763 | A1 | 6/2010 | Donofrio | |
| 2010/0201284 | A1 | 8/2010 | Kraus | |
| 2010/0327745 | A1 | 12/2010 | Dassanayake et al. | |
| 2010/0328925 | A1 | 12/2010 | Hoelen et al. | 362/84 |
| 2011/0080096 | A1 | 4/2011 | Dudik et al. | |
| 2011/0080740 | A1 | 4/2011 | Allen et al. | |
| 2011/0216523 | A1 | 9/2011 | Tong et al. | |

FOREIGN PATENT DOCUMENTS

| | | | |
|----|----------------|----|---------|
| DE | 10 2007 037862 | A1 | 10/2008 |
| DE | 202008013667 | | 12/2008 |
| EP | 0876085 | A2 | 11/1998 |
| EP | 2154420 | | 2/2010 |
| GB | 2 366 610 | A | 3/2002 |
| JP | 11-213730 | A | 8/1999 |
| JP | 2005-093097 | A | 4/2005 |
| JP | 2005-286267 | A | 10/2005 |
| JP | 2005021635 | | 11/2005 |
| JP | 200640850 | A | 9/2006 |
| JP | 2009-016058 | A | 1/2009 |
| KR | 100980588 | B1 | 9/2010 |
| KR | 3020110008445 | | 3/2011 |
| TW | D134005 | | 3/2010 |
| TW | 100300960 | | 3/2011 |
| TW | D141681 | | 7/2011 |
| WO | WO 00/17569 | A1 | 3/2000 |
| WO | WO 01/40702 | A1 | 6/2001 |
| WO | WO2004100213 | A2 | 5/2004 |
| WO | WO 2007/130358 | A2 | 11/2007 |
| WO | 2007146566 | A2 | 12/2007 |
| WO | WO 2008/018002 | A2 | 2/2008 |
| WO | WO2008134056 | A1 | 4/2008 |
| WO | WO 2008/052318 | A1 | 5/2008 |
| WO | WO 2008/117211 | A1 | 10/2008 |
| WO | WO 2008/146229 | A2 | 12/2008 |
| WO | WO 2009/024952 | A2 | 2/2009 |
| WO | WO 2009/091562 | A2 | 7/2009 |
| WO | WO 2009/093163 | A2 | 7/2009 |
| WO | WO 2009/107052 | A1 | 9/2009 |
| WO | WO 2009/119038 | A2 | 10/2009 |
| WO | WO 2009/128004 | A1 | 10/2009 |
| WO | WO 2009/158422 | A1 | 12/2009 |
| WO | WO 2010/012999 | A2 | 2/2010 |
| WO | 2010052640 | | 5/2010 |
| WO | WO 2010/119618 | A1 | 10/2010 |
| WO | WO 2010/128419 | A1 | 11/2010 |

OTHER PUBLICATIONS

International Search Report and Written Opinion for PCT/US2011/000407 mailed Nov. 16, 2011.
 International Search Report and Written Opinion for PCT Application No. PCT/US2011/000391 mailed Oct. 6, 2011.

International Search Report and Written Opinion for PCT Application No. PCT/US2011/000402 mailed Sep. 30, 2011.
 International Search Report and Written Opinion for PCT Application No. PCT/US2011/000399 mailed Jul. 12, 2011.
 Decision to Refuse a European Patent Application for EP 09 152 962.8 dated Jul. 6, 2011.
 Decision for Final Rejection for Japanese Patent Application No. 2001-542133 mailed Jun. 28, 2011.
 International Search Report and Written Opinion for PCT Application No. PCT/US2011/000397 mailed May 24, 2011.
 International Search Report and Written Opinion for PCT Application No. PCT/US2010/003146 mailed Jun. 7, 2011.
 Cree Xlamp® XP-G LED, Product Info and Data Sheet, 14 pages.
 Cree Xlamp® XP-E LED, Product Info and Data Sheet, 20 pages.
 International Search Report and Written Opinion for PCT/US2011/000400 mailed May 2, 2011.
 U.S. Appl. No. 11/656,759, filed Jan. 22, 2007 Chitnis.
 U.S. Appl. No. 11/899,790, filed Sep. 7, 2007 Chitnis.
 U.S. Appl. No. 11/473,089, filed Jun. 21, 2006 Tarsa.
 U.S. Appl. No. 61/435,759, filed Jan. 24, 2011 Le.
 U.S. Appl. No. 61/339,516, filed Mar. 3, 2010 Tong.
 U.S. Appl. No. 61/424,670, filed Dec. 19, 2010, Zongjie Yuan.
 Cree LR6, 6" Recessed Downlight Module, Product Info, p. 1-2.
 U.S. Appl. No. 12/901,405, filed Oct. 8, 2010, Tong.
 U.S. Appl. No. 61/339,515, filed Mar. 3, 2010, Tong.
 U.S. Appl. No. 12/848,825, filed Aug. 2, 2010, Tong.
 U.S. Appl. No. 12/975,820, Van De Ven.
 U.S. Appl. No. 13/029,063, filed Feb. 16, 2011, Hussell.
 International Search Report and Written Opinion, PCT/US2009/063804, mailed on Feb. 26, 2010.
 U.S. Appl. No. 12/566,195, Van De Ven, filed Sep. 24, 2009.
 U.S. Appl. No. 12/704,730, Van De Ven, filed Feb. 12, 2010.
 C. Crane Geobulb®-II LED Light Bulb, Item #2SW, Description, p. 1-2.
 C. Crane Geobulb®-II LED Light Bulb, Item #2SW, Specs, p. 1-2.
 Cree LR4, 4" Recessed Architectural Downlight, Product Info p. 1-2.
 Office Action from U.S. Appl. No. 13/028,946, dated: Jul. 16, 2012.
 Office Action from U.S. Appl. No. 12/636,958, dated: Jul. 19, 2012.
 Notice to Submit A Response from Korean Patent Application No. 30-2011-0008448, dated Apr. 16, 2012.
 Notice to Submit A Response from Korean Patent Application No. 30-2011-0008445, dated Apr. 16, 2012.
 Notice to Submit A Response from Korean Patent Application No. 30-2011-0008446, dated Apr. 16, 2012.
 Office Action for Taiwanese Patent Application No. 100300961, dated May 7, 2012.
 Office Action from Taiwanese Patent Application No. 100300960, dated May 7, 2012.
 U.S. Appl. No. 29/409,378, filed Dec. 22, 2011 to Le, et al.
 Office Action of the IPO for Taiwan Patent Application No. TW 100300962 issued Nov. 21, 2011.
 Office Action of the IPO for Taiwan Patent Application No. TW 100300961 issued Nov. 16, 2011.
 Office Action of the IPO for Taiwan Patent Application No. TW 100300960 issued Nov. 15, 2011.
 Office Action of the IPO for Taiwan Patent Application No. TW 100302770 issued Jan. 13, 2012.
 Notice to Submit a Response from Korean Patent Application No. 30-2011-0008446, dated Oct. 22, 2012.
 International Search Report and Written Opinion from PCT Application No. PCT/US2012/044705 dated Oct. 9, 2012.
 Notice to Submit a Response from Korean Design Patent Application No. 30-2011-0024961, dated Sep. 10, 2012.
 Office Action from U.S. Appl. No. 13/022,490, dated Nov. 7, 2012.
 Office Action from U.S. Appl. No. 12/848,825, dated Nov. 5, 2012.
 Office Action from U.S. Appl. No. 13/018,291, dated Oct. 10, 2012.

* cited by examiner

FIG. 1

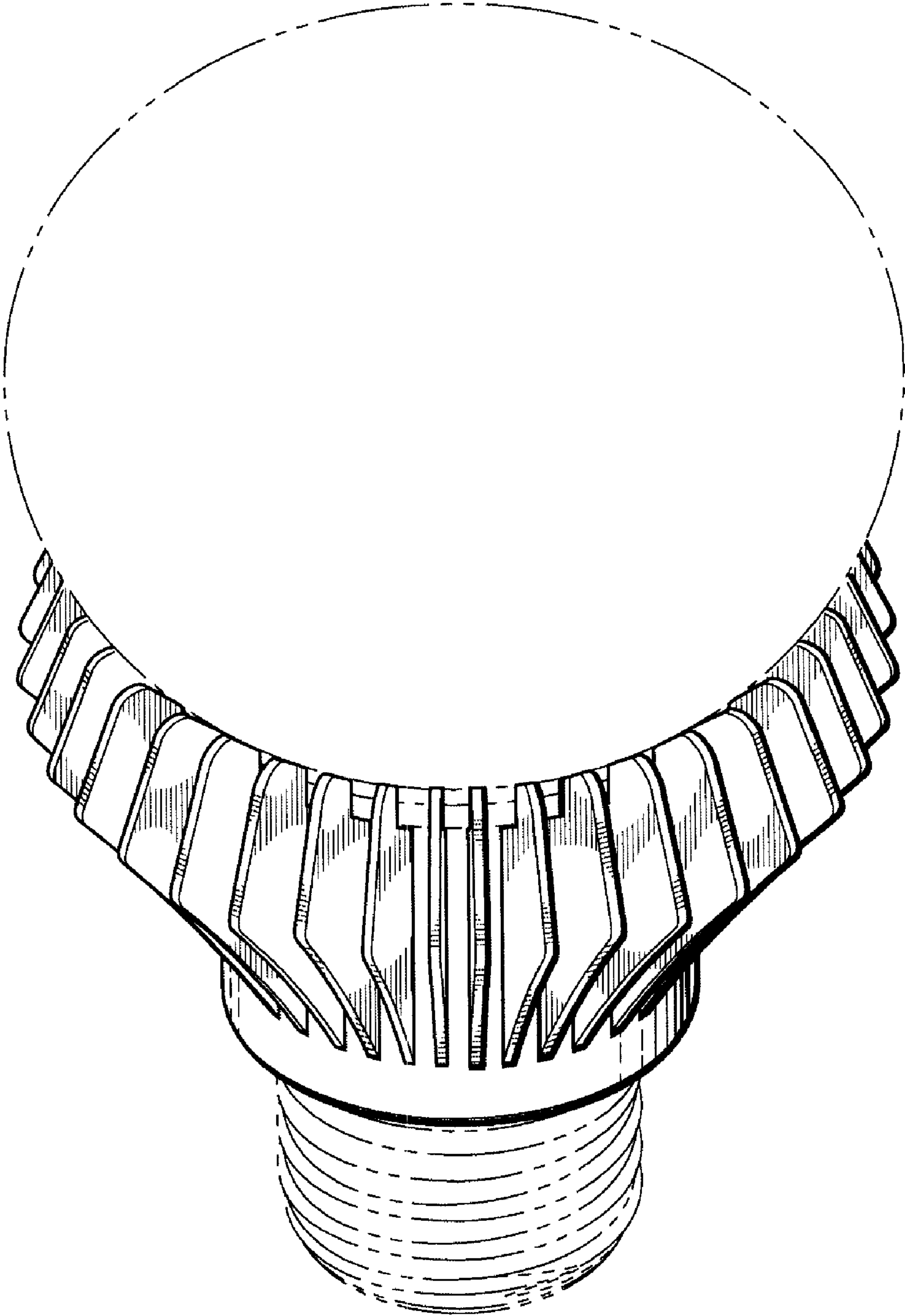
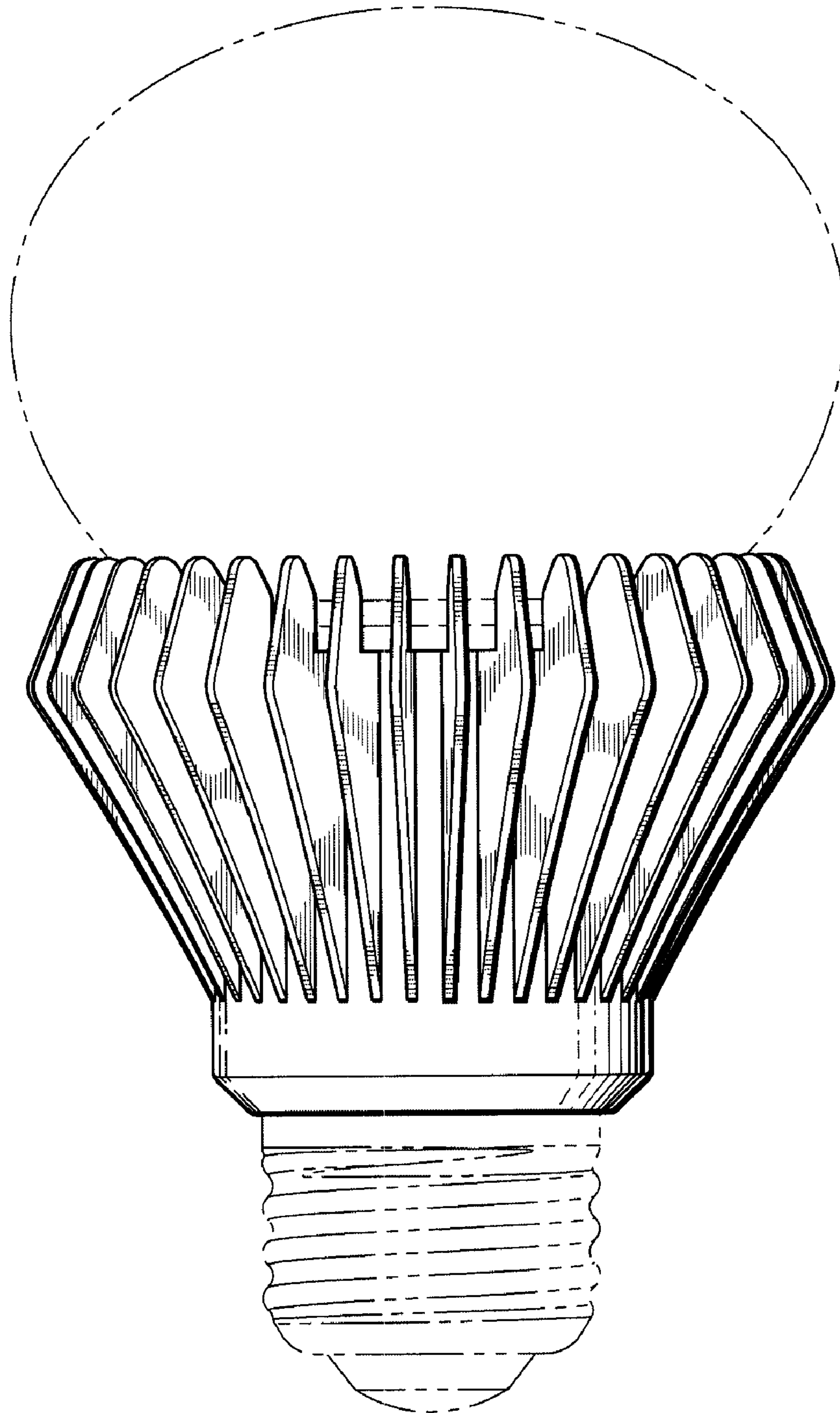


FIG. 2



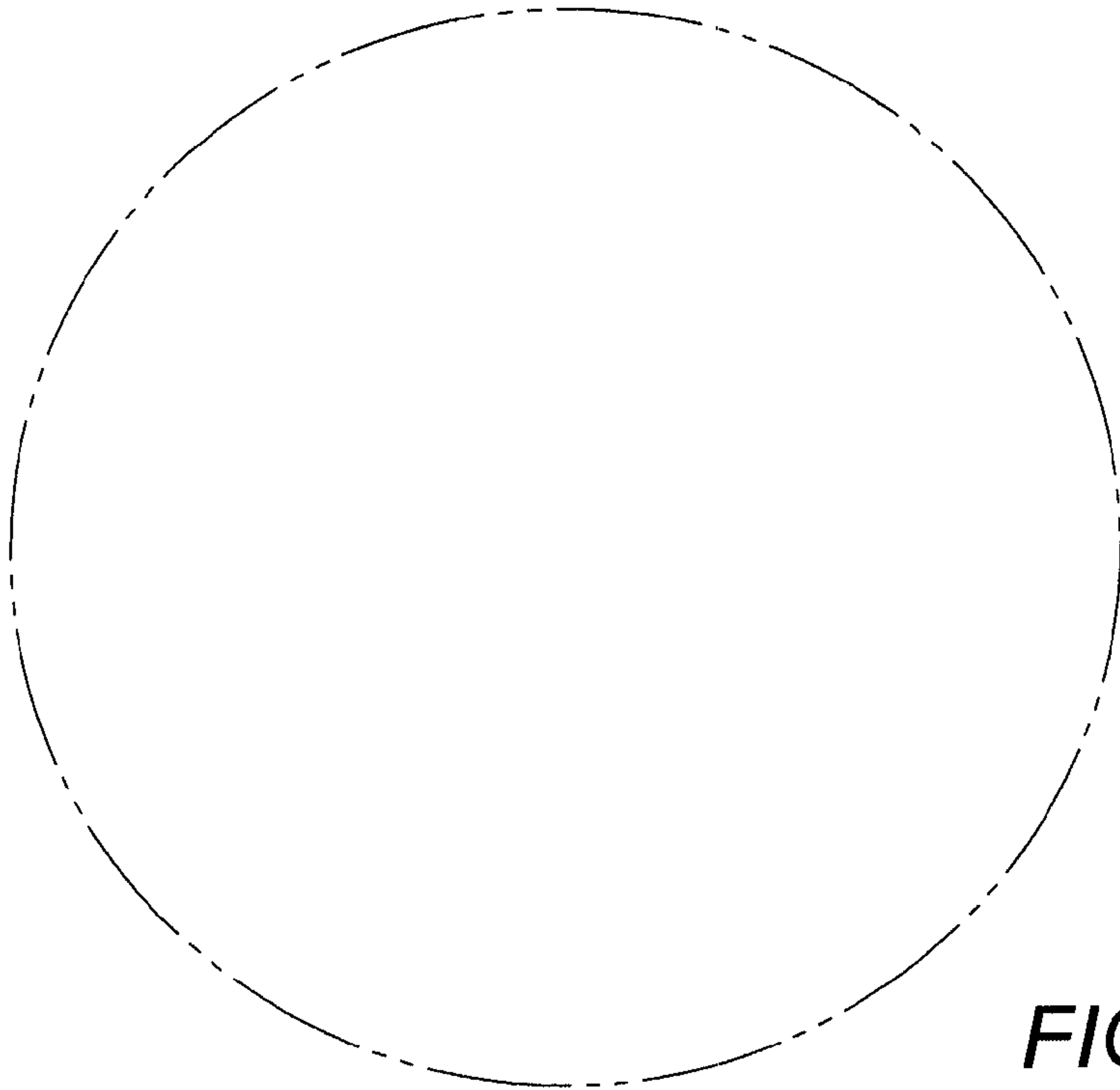


FIG. 3

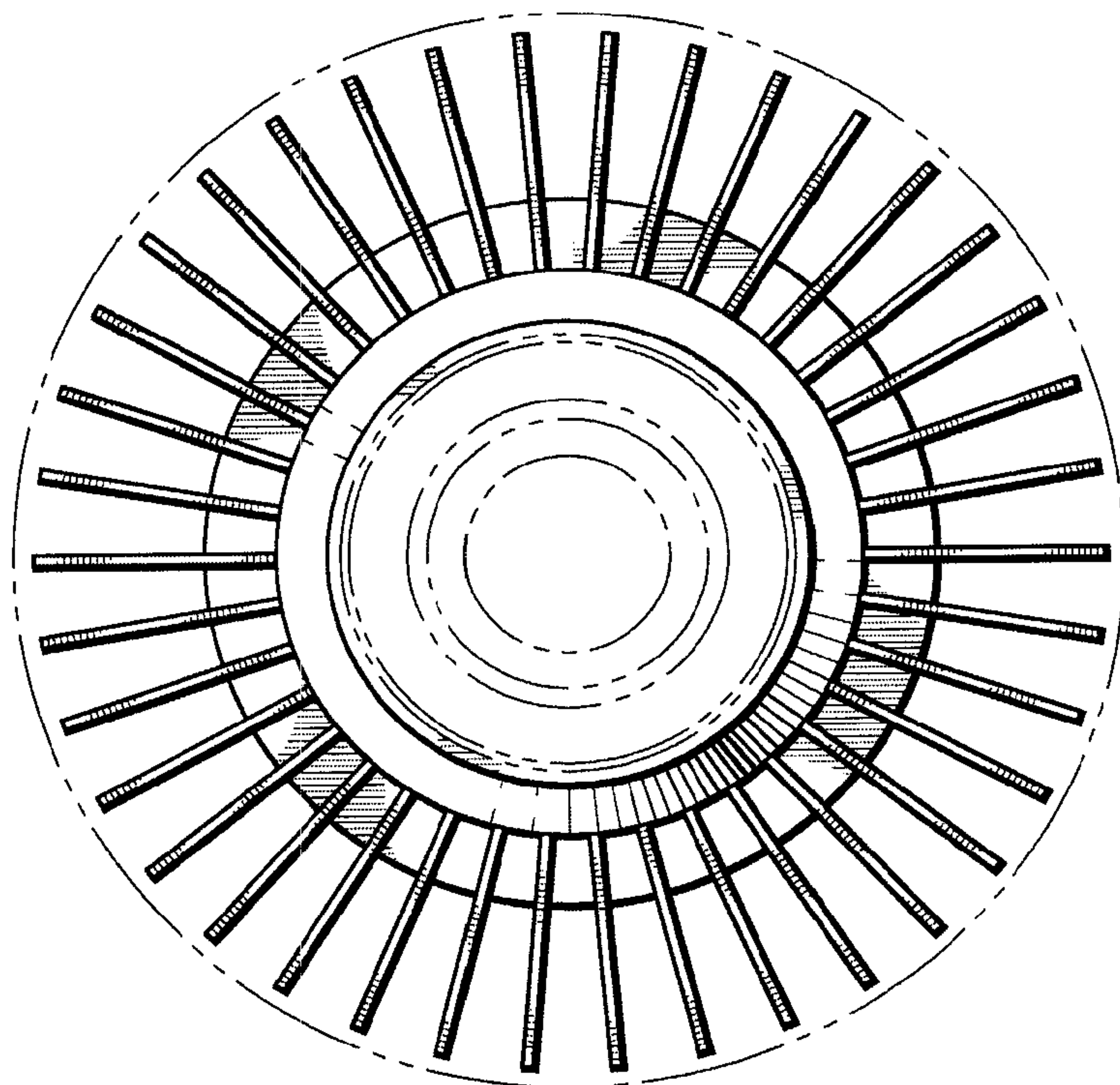


FIG. 4