



US00D679033S

(12) **United States Design Patent**
Dungan et al.

(10) **Patent No.:** **US D679,033 S**
(45) **Date of Patent:** **** Mar. 26, 2013**

(54) **LIGHTING DEVICE**

(75) Inventors: **William Laird Dungan**, Cary, NC (US);
Paul Kenneth Pickard, Morrisville, NC
(US); **James Michael Lay**, Cary, NC
(US)

(73) Assignee: **Cree, Inc.**, Durham, NC (US)

(**) Term: **14 Years**

(21) Appl. No.: **29/383,040**

(22) Filed: **Jan. 11, 2011**

Related U.S. Application Data

(63) Continuation of application No. 12/776,947, filed on
May 10, 2010.

(51) **LOC (9) Cl.** **26-04**

(52) **U.S. Cl.** **D26/2**

(58) **Field of Classification Search** D26/1-4;
313/313, 315, 316, 317, 318, 493; 315/52,
315/53, 56, 57, 58

See application file for complete search history.

(56) **References Cited**

U.S. PATENT DOCUMENTS

D435,577 S * 12/2000 McBride D16/203
D532,532 S * 11/2006 Maxik D26/2
D544,110 S * 6/2007 Hooker et al. D26/2
D566,300 S * 4/2008 Lo D26/2
D581,555 S * 11/2008 To et al. D26/2

D584,838 S * 1/2009 To et al. D26/2
D610,722 S * 2/2010 Bi D26/2
D663,057 S * 7/2012 Pan D26/2

OTHER PUBLICATIONS

U.S. Appl. No. 12/776,947, filed May 10, 2010, Negley et al.

* cited by examiner

Primary Examiner — Marcus Jackson

(74) *Attorney, Agent, or Firm* — Burr & Brown

(57) **CLAIM**

The ornamental design for a lighting device, as shown and
described.

DESCRIPTION

FIG. 1 is a left side view of a first embodiment of a lighting
device in accordance with our new design (the right side view
thereof is identical to the left side view thereof);

FIG. 2 is a front view thereof (the back view thereof is iden-
tical to the front view thereof);

FIG. 3 is a top view thereof;

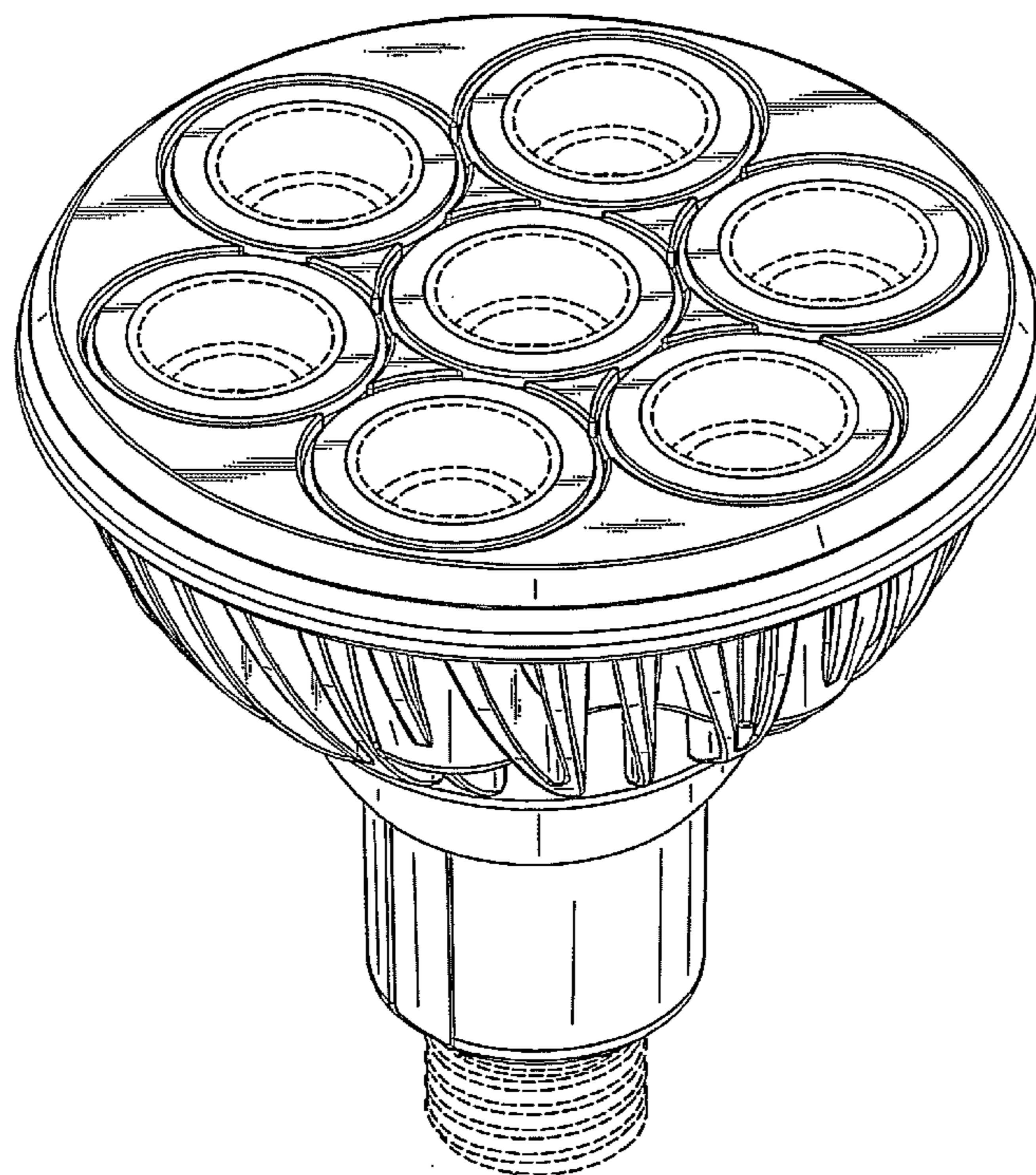
FIG. 4 is a bottom view thereof;

FIG. 5 is a first perspective view thereof; and,

FIG. 6 is a second perspective view thereof.

The portions of the drawings shown in broken lines represent
environmental structure and form no part of the claimed
design.

1 Claim, 6 Drawing Sheets



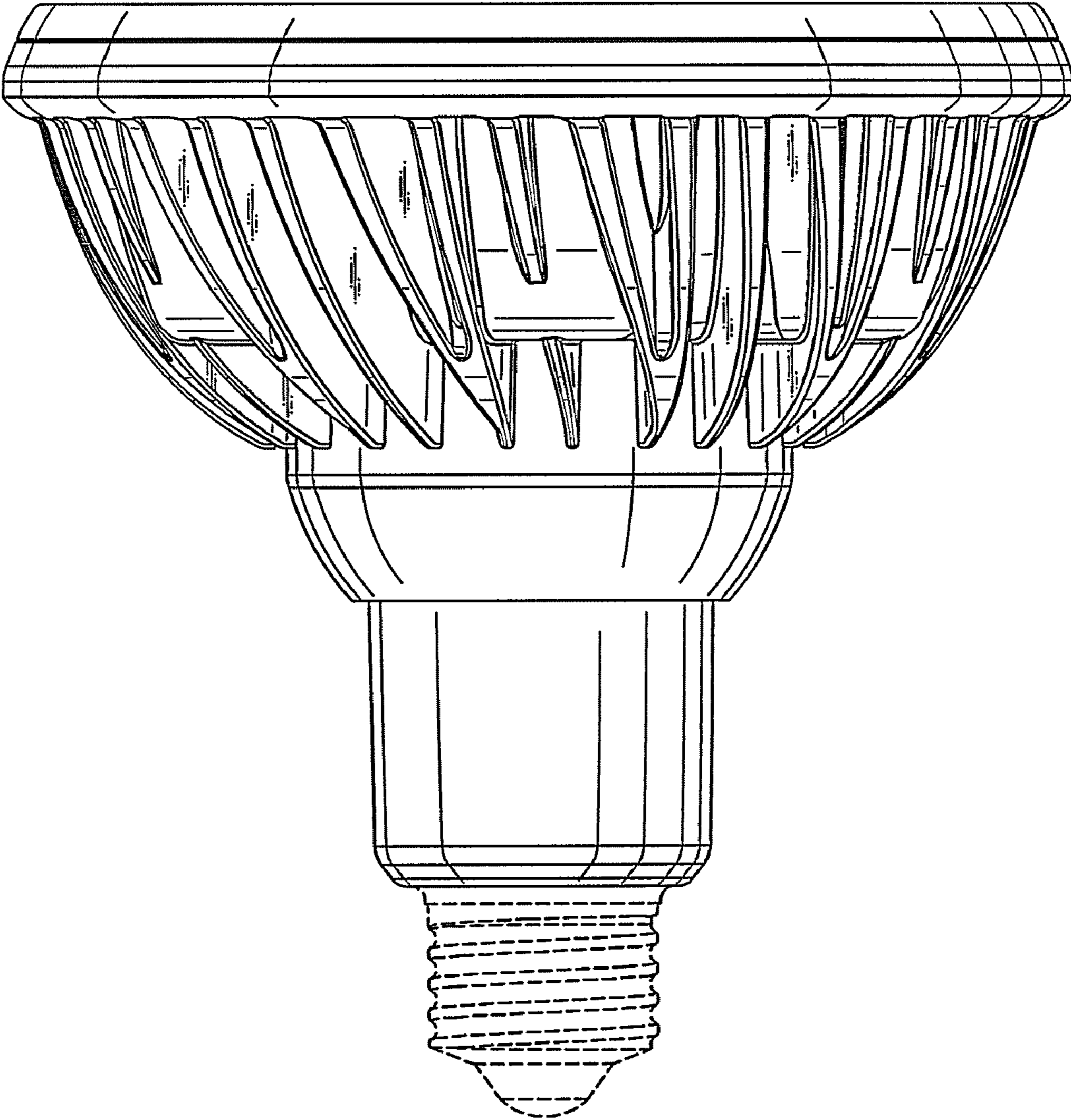


FIG. 1

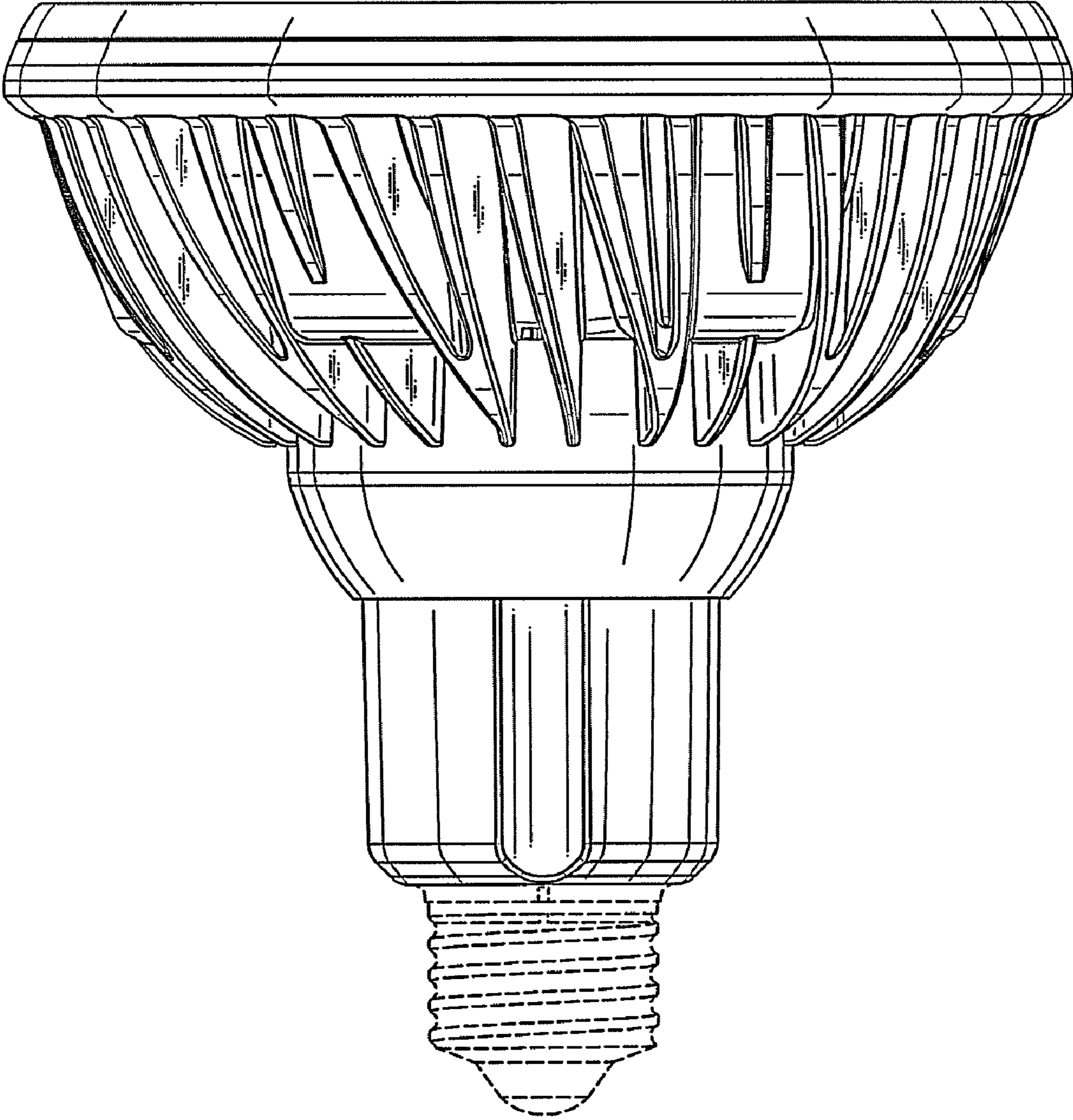


FIG.2

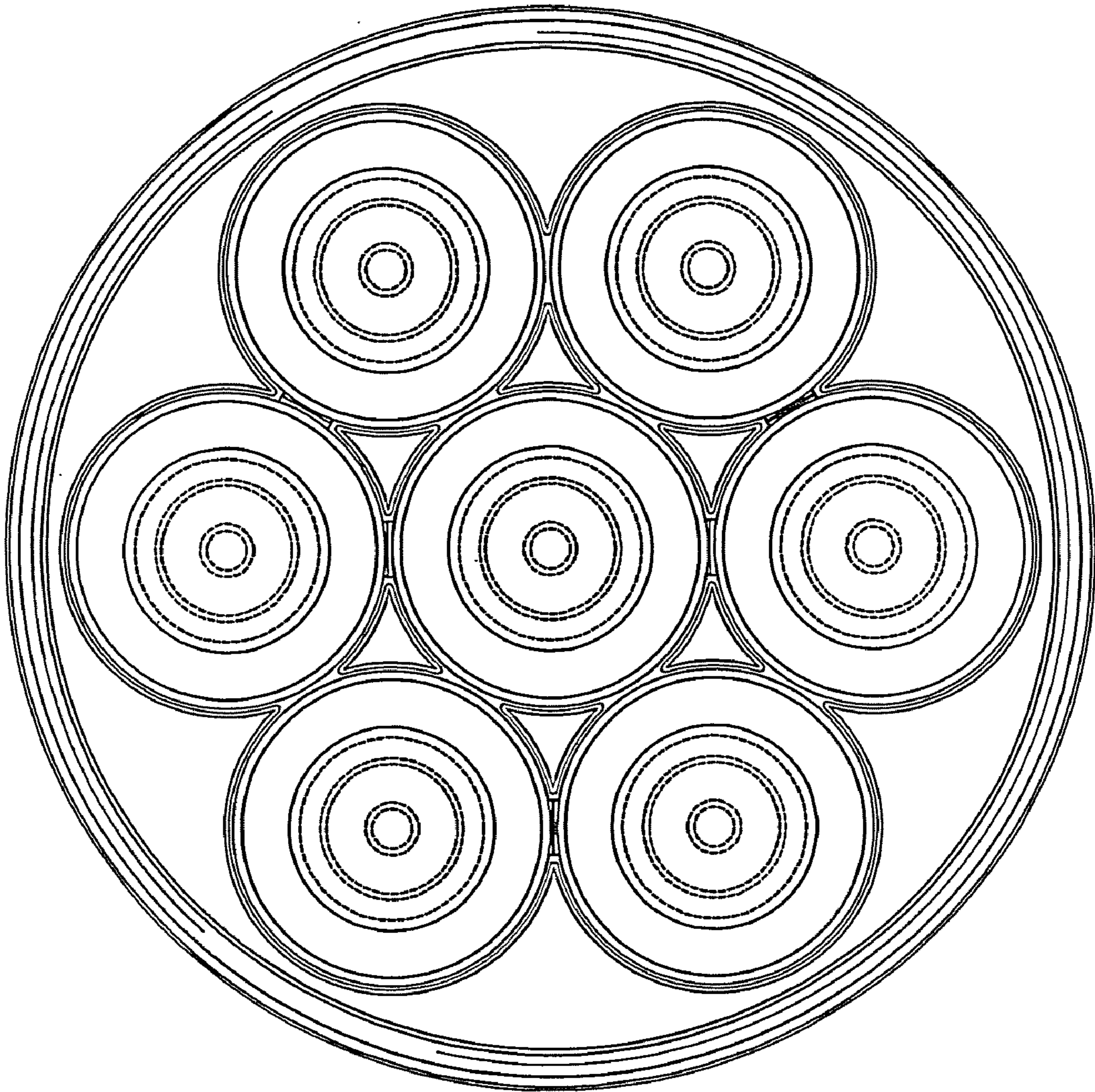


FIG.3

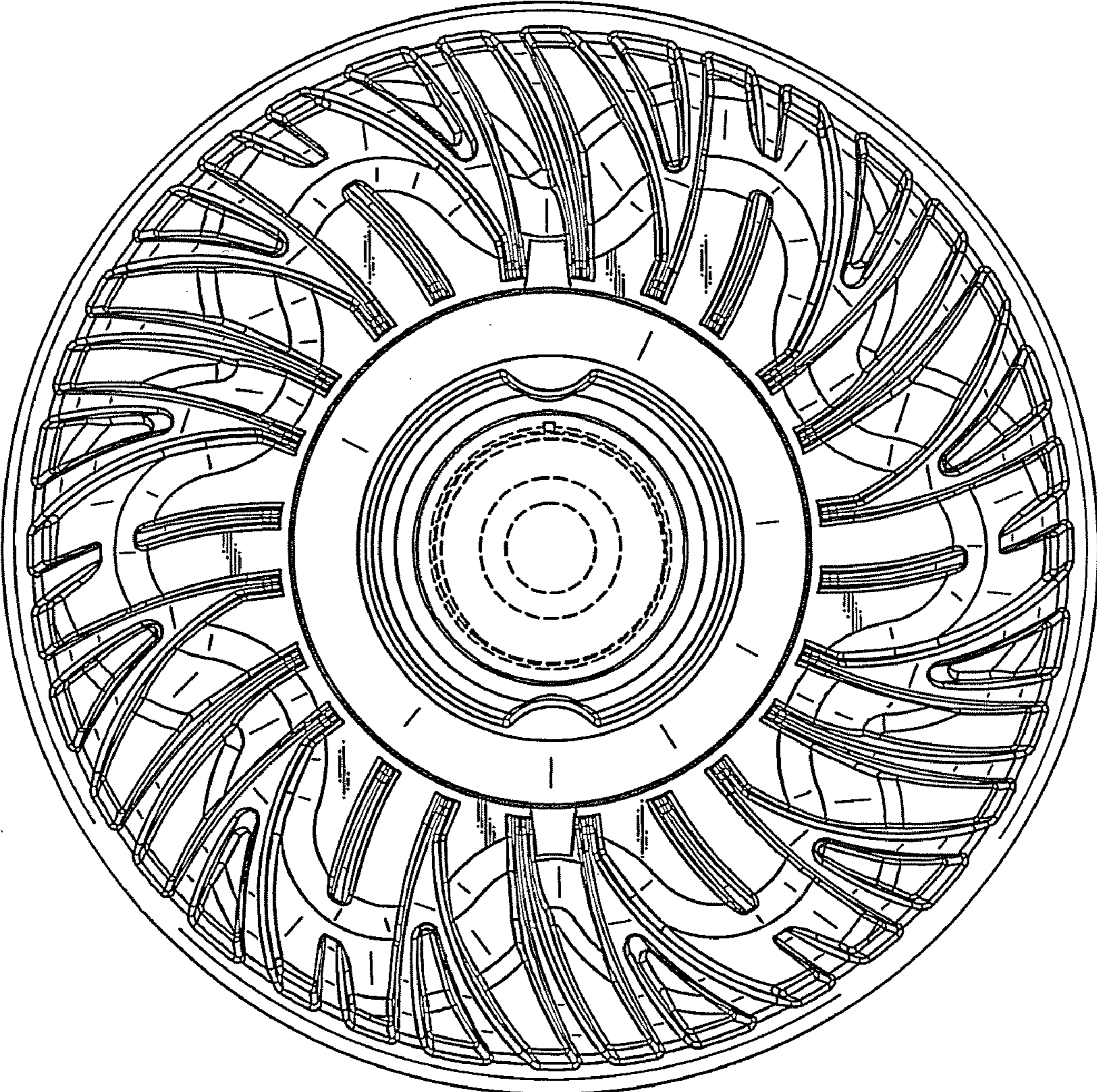


FIG. 4

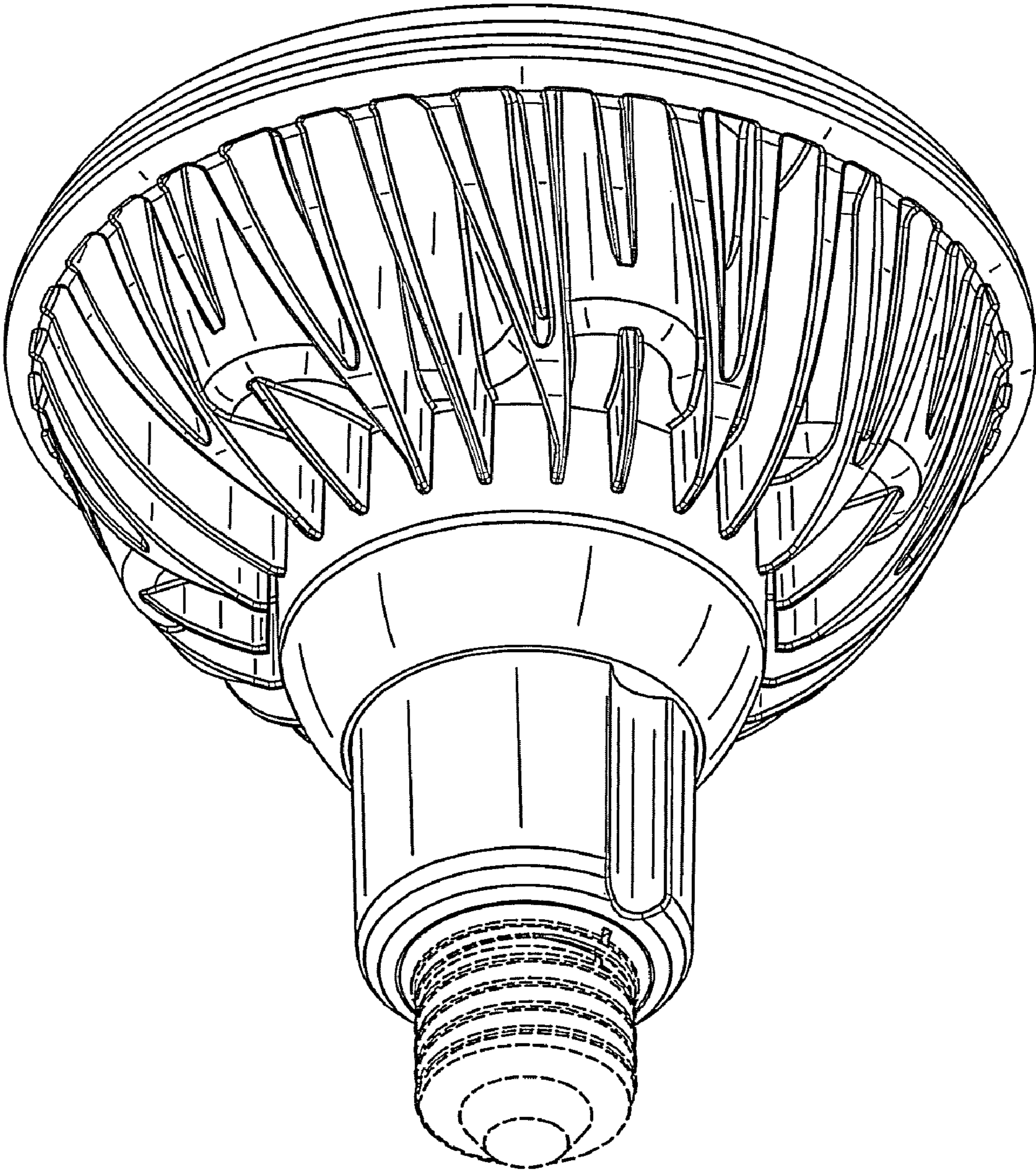


FIG.5

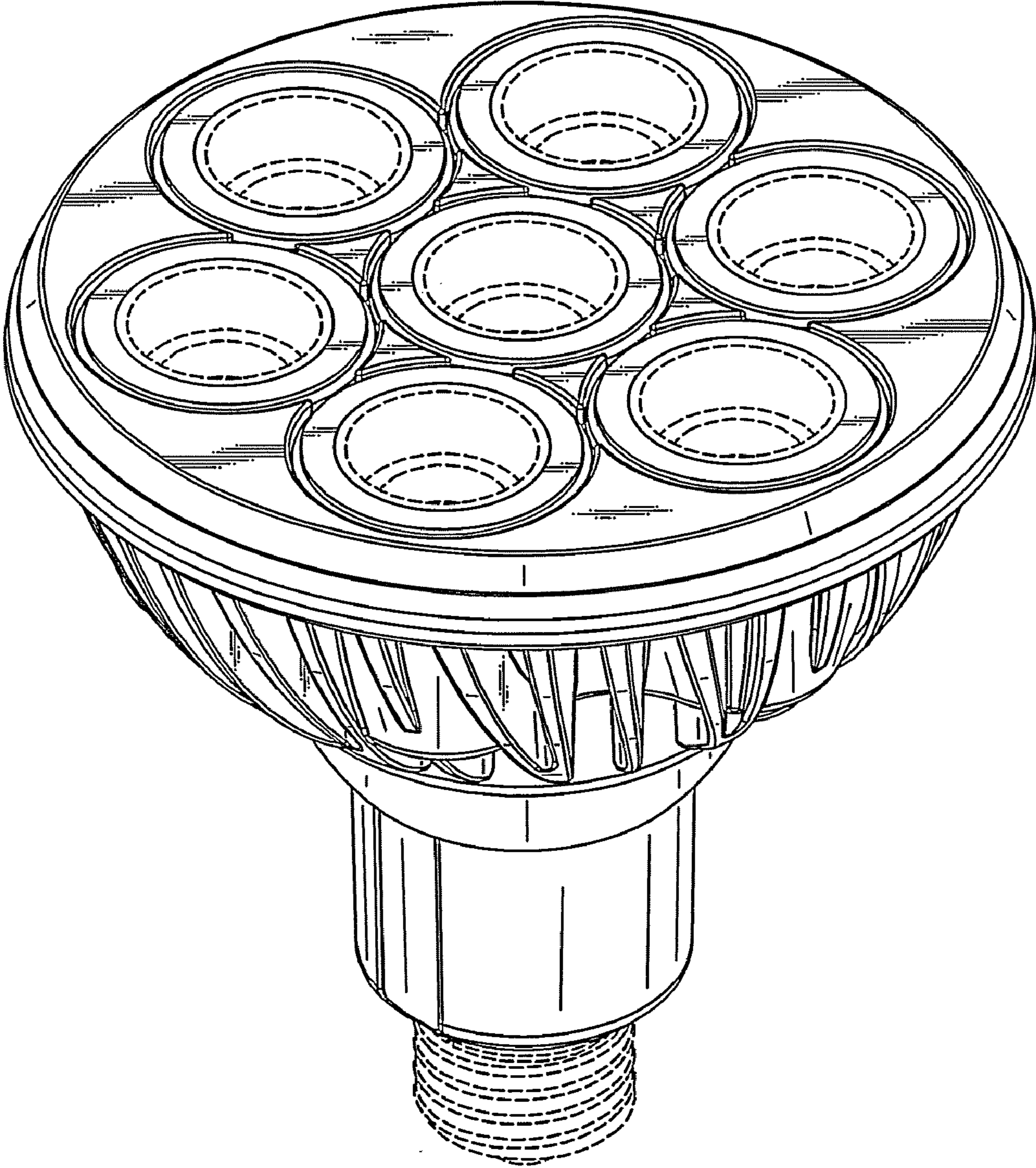


FIG.6