



US00D679026S

(12) **United States Design Patent**  
**Akamatsu et al.**

(10) **Patent No.:** **US D679,026 S**  
(45) **Date of Patent:** **\*\* Mar. 26, 2013**

(54) **COMPOUND CHARGED PARTICLE BEAM DEVICE**

(75) Inventors: **Kenichi Akamatsu**, Chiba (JP); **Hiroto Muto**, Chiba (JP)

(73) Assignee: **SII Nano Technology Inc.**, Chiba (JP)

(\*\*) Term: **14 Years**

(21) Appl. No.: **29/420,852**

(22) Filed: **May 14, 2012**

**Related U.S. Application Data**

(62) Division of application No. 29/342,164, filed on Aug. 19, 2009.

**Foreign Application Priority Data**

(30) Feb. 20, 2009 (JP) ..... 2009-003469  
Feb. 20, 2009 (JP) ..... 2009-003474  
Feb. 20, 2009 (JP) ..... 2009-003475

(51) **LOC (9) Cl.** ..... **24-03**

(52) **U.S. Cl.** ..... **D24/232; D16/131**

(58) **Field of Classification Search** ..... D24/176,  
D24/232, 233; 359/359; 430/30; 250/369 R,  
250/440.11, 311; D16/130, 131, 136  
See application file for complete search history.

(56) **References Cited**

**U.S. PATENT DOCUMENTS**

3,835,320 A \* 9/1974 Helwig ..... 250/311  
4,963,748 A 10/1990 Szilagyi

D381,031 S \* 7/1997 Miyata et al. .... D16/131  
6,084,239 A \* 7/2000 Miyata et al. .... 250/440.11  
D472,484 S \* 4/2003 Connolly et al. .... D10/81  
7,443,577 B2 10/2008 Gorrell et al.  
D638,046 S \* 5/2011 Noda et al. .... D16/131  
D639,980 S \* 6/2011 Davis et al. .... D24/233  
D644,258 S \* 8/2011 Noda et al. .... D16/131  
2003/0077530 A1 4/2003 Fujiwara et al.

**OTHER PUBLICATIONS**

U.S. Appl. No. 29/342,164, filed Aug. 19, 2009.

\* cited by examiner

*Primary Examiner* — Ian Simmons

*Assistant Examiner* — Charles Hanson

(74) *Attorney, Agent, or Firm* — Finnegan, Henderson, Farabow, Garrett & Dunner, L.L.P.

(57) **CLAIM**

The ornamental design for a compound charged particle beam device, as shown and described.

**DESCRIPTION**

FIG. 1 is a perspective view of the top, front and left side of a compound charged particle beam device showing our new design;

FIG. 2 is a front view thereof;

FIG. 3 is a rear view thereof;

FIG. 4 is a left side view thereof;

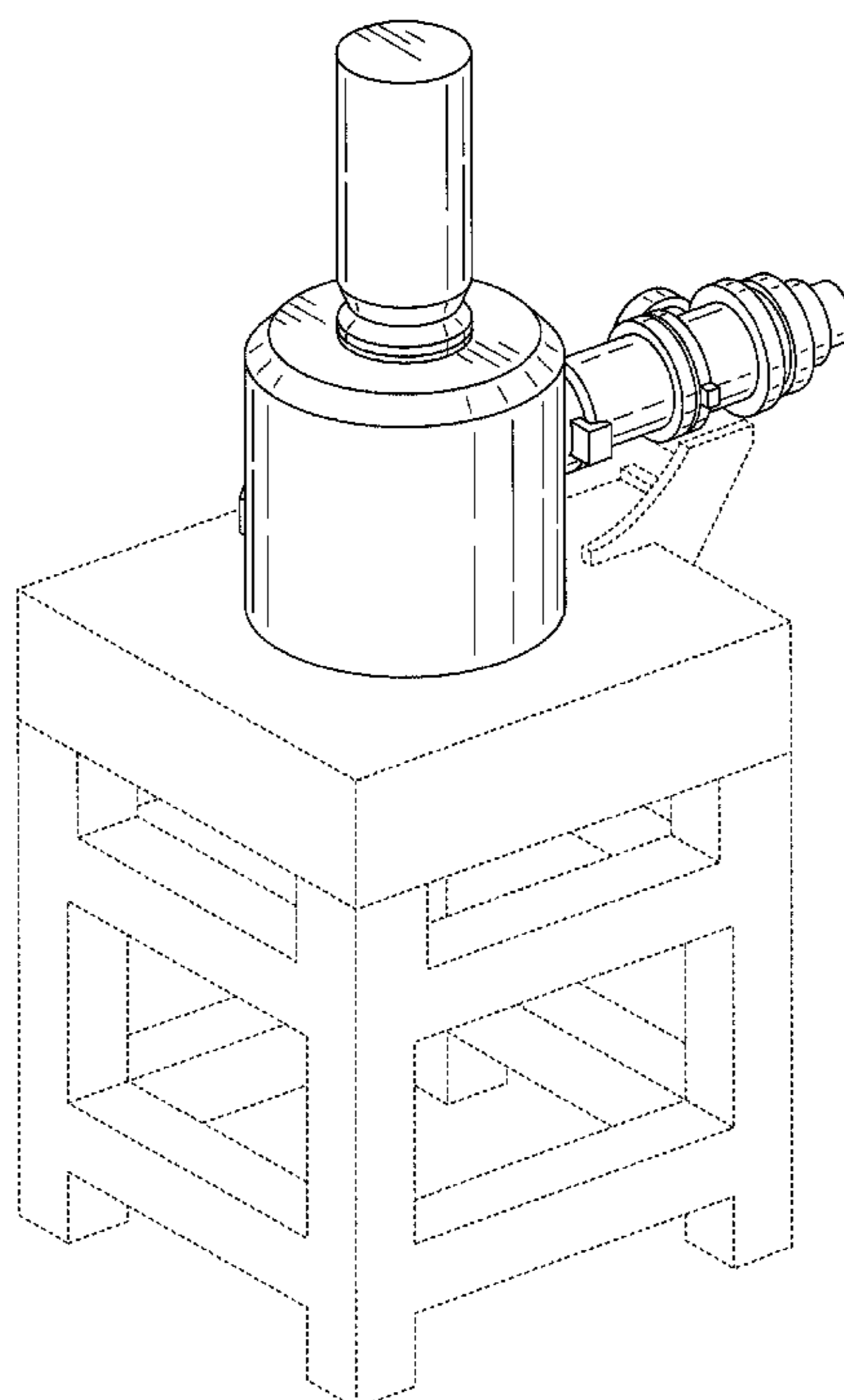
FIG. 5 is a right side view thereof;

FIG. 6 is a top plan view thereof; and,

FIG. 7 is a bottom view thereof.

The portion shown in broken lines are for illustrative purposes only and form no part of the claimed invention.

**1 Claim, 6 Drawing Sheets**



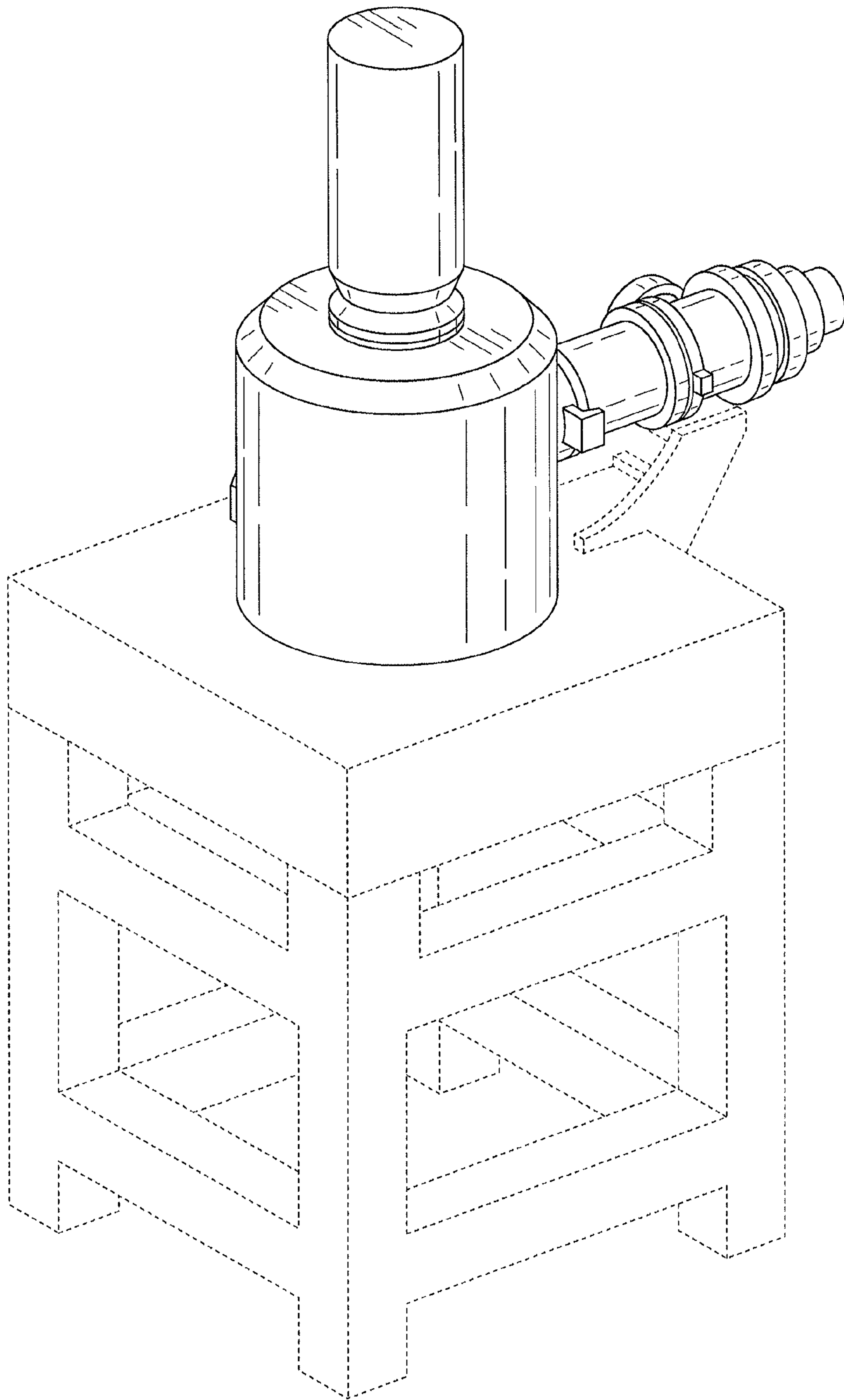


FIG. 1

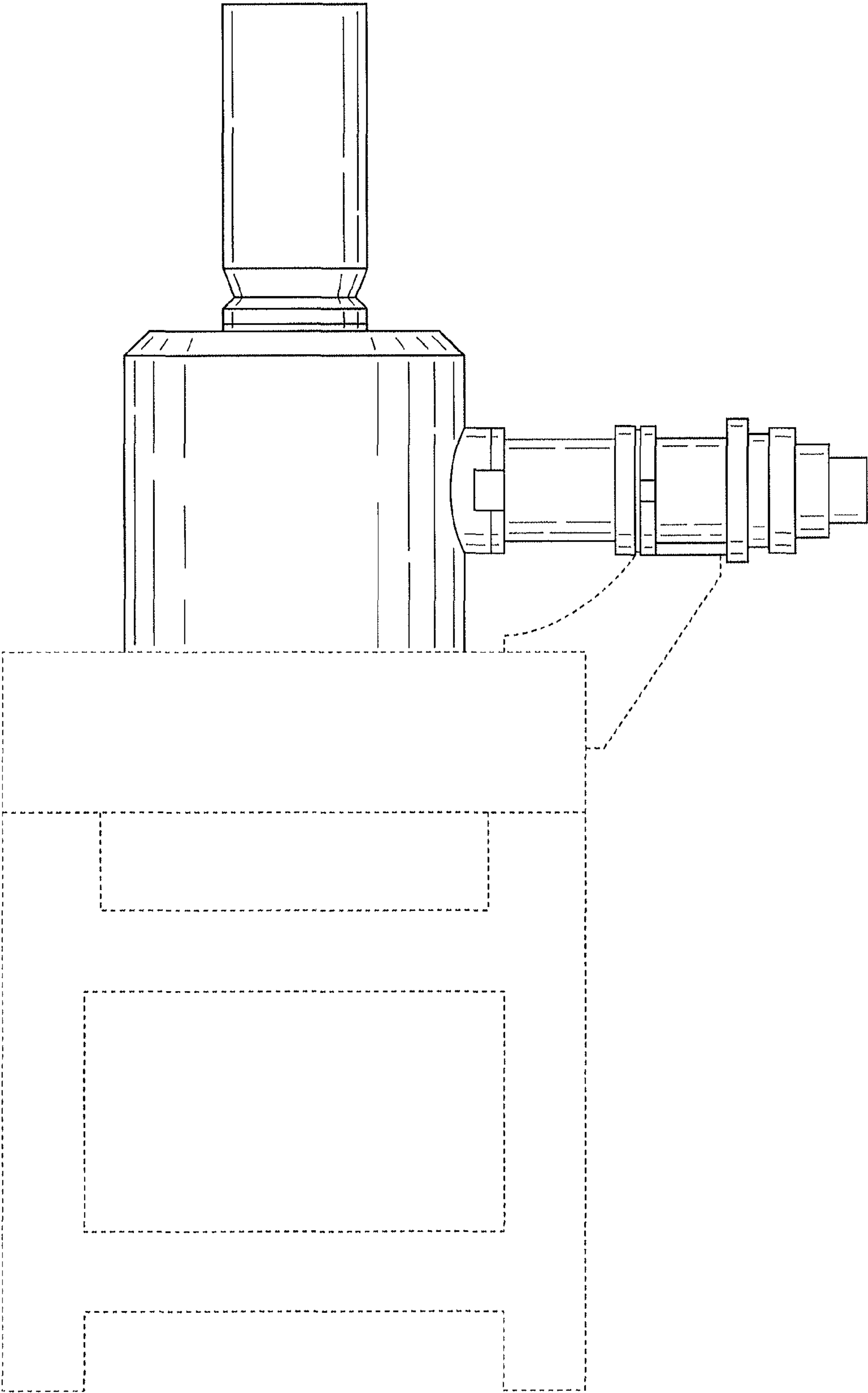
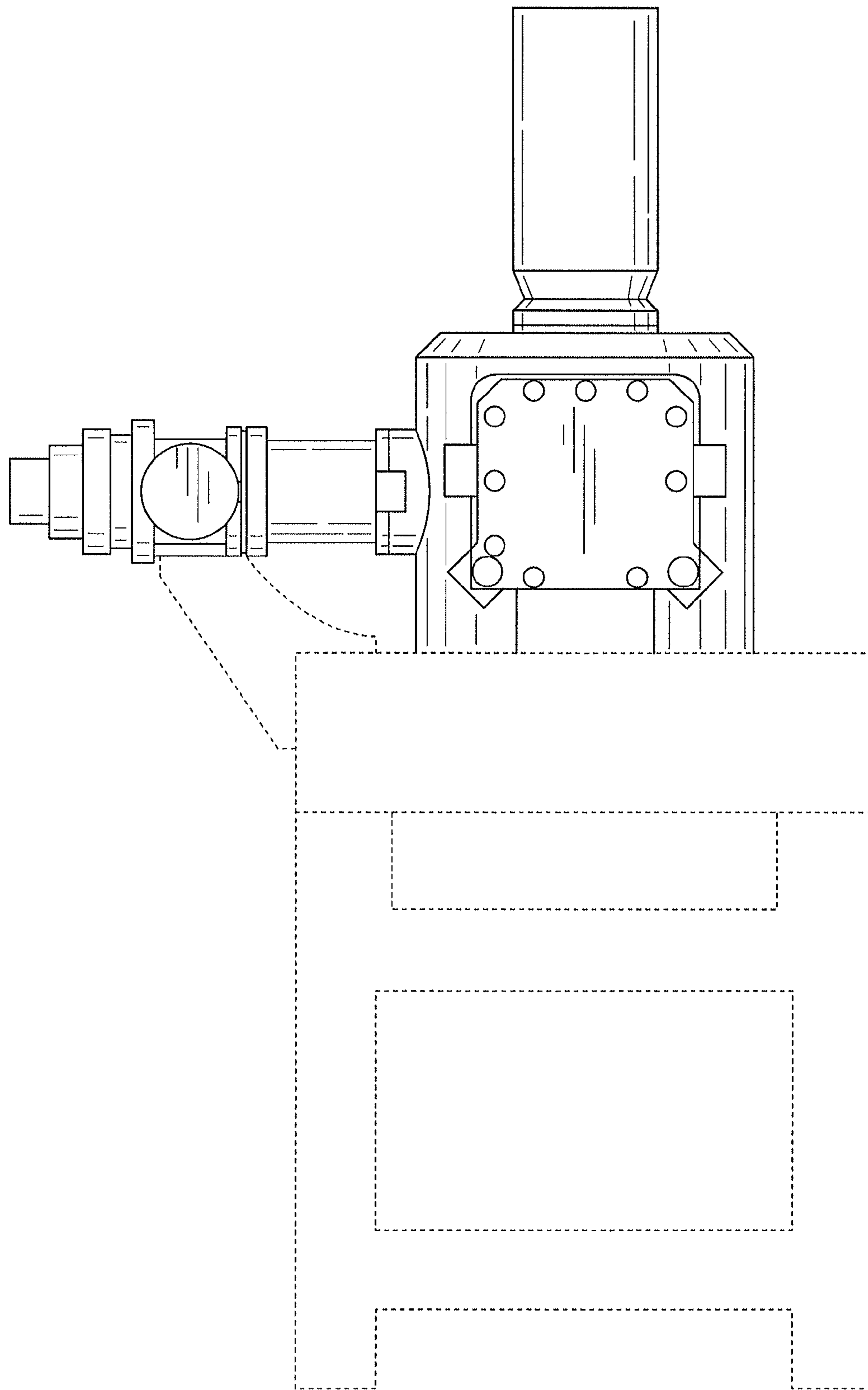


FIG. 2



*FIG. 3*

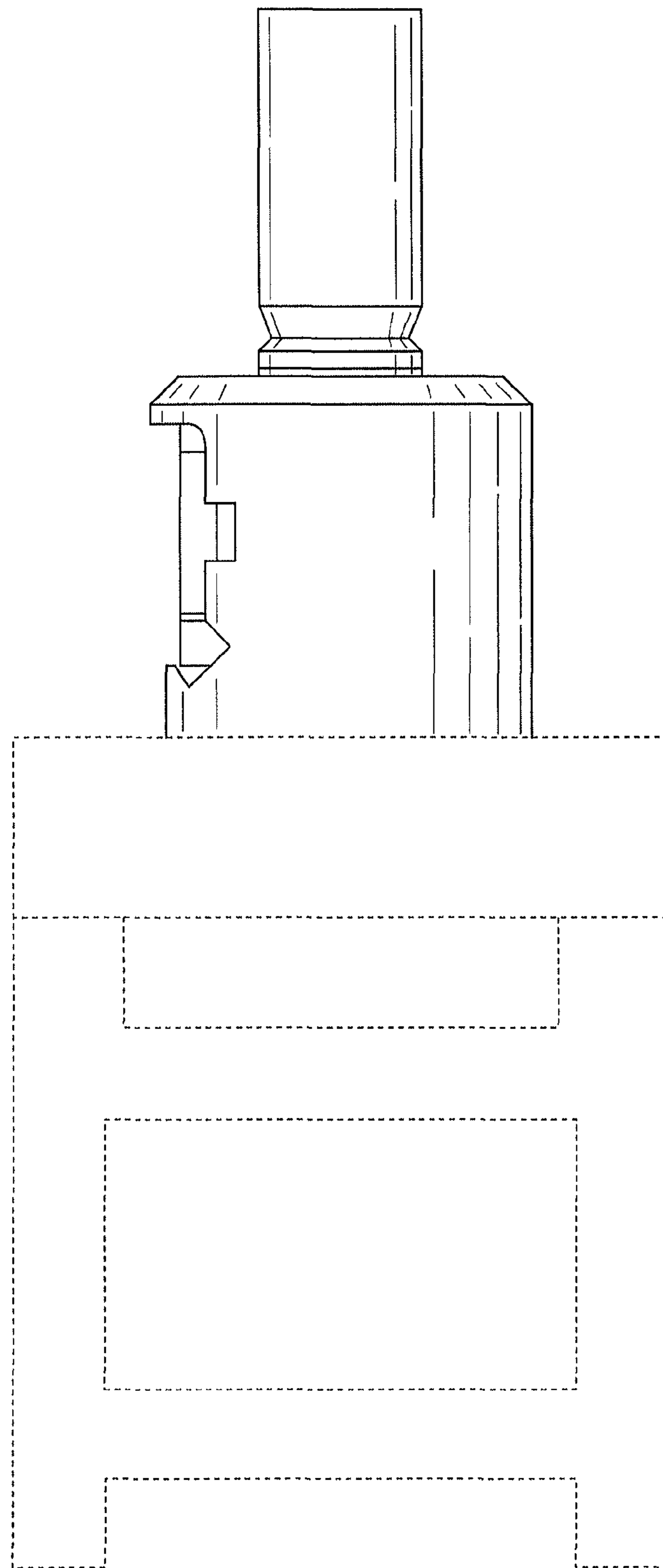
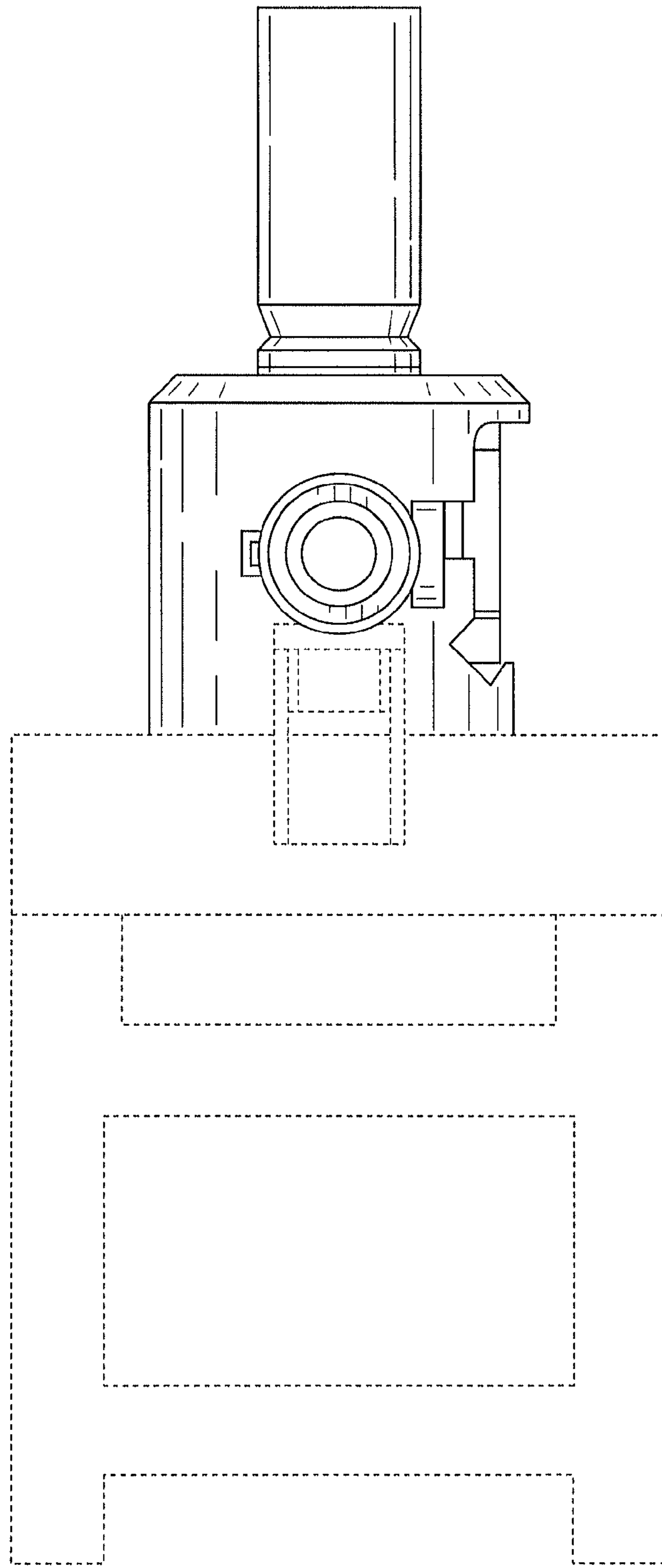
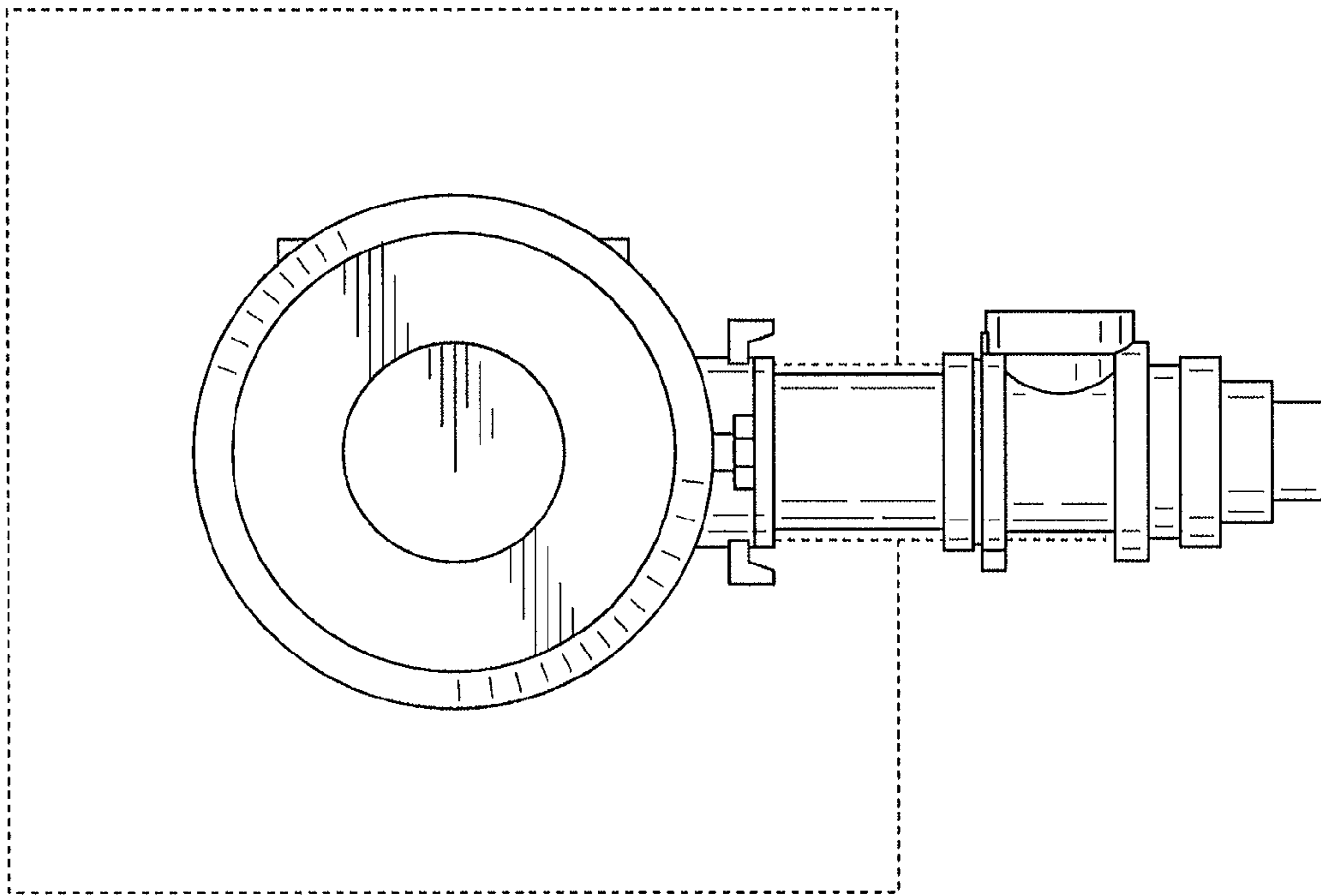


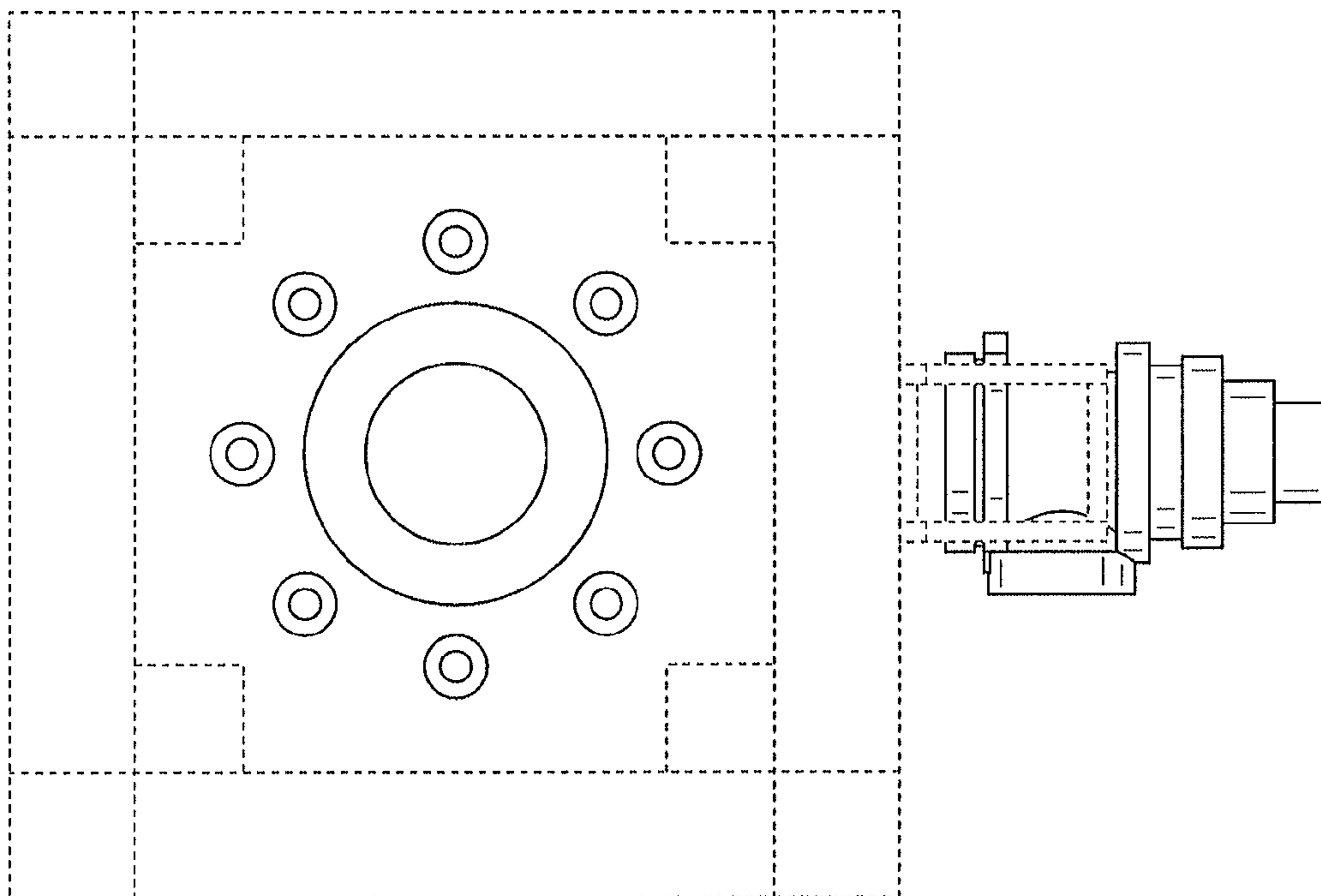
FIG. 4



*FIG. 5*



*FIG. 6*



*FIG. 7*