



US00D679025S

(12) **United States Design Patent**  
**Motadel et al.**

(10) **Patent No.:** **US D679,025 S**  
(45) **Date of Patent:** **\*\* Mar. 26, 2013**

(54) **ANTI-STATIC PIPETTE TIP TRAY**  
(75) Inventors: **Arta Motadel**, San Diego, CA (US);  
**Scott Edward Curry**, San Marcos, CA (US)

(73) Assignee: **Biotix, Inc.**, San Diego, CA (US)

(\*\*) Term: **14 Years**

(21) Appl. No.: **29/354,397**

(22) Filed: **Jan. 22, 2010**

(51) **LOC (9) Cl.** ..... **24-02**

(52) **U.S. Cl.** ..... **D24/227**

(58) **Field of Classification Search** ..... D24/108,  
D24/127-130, 216, 222, 224-232; 422/63,  
422/99-104, 250, 266, 297, 300, 476, 553,  
422/526, 562; 211/69, 71-72, 74, 71.01;  
D19/37

See application file for complete search history.

(56) **References Cited**

**U.S. PATENT DOCUMENTS**

4,130,978 A 12/1978 Cohen  
D264,810 S \* 6/1982 Voltmann ..... D24/226  
4,349,109 A 9/1982 Scordato et al.  
D271,239 S \* 11/1983 Lemieux et al. .... D24/230

(Continued)

**FOREIGN PATENT DOCUMENTS**

EP 1110613 6/2001  
WO WO 95/08392 3/1995

(Continued)

**OTHER PUBLICATIONS**

International Search Report and Written Opinion mailed on: Sep. 2, 2010 in International Application No. PCT/US2010/021838 filed on Jan. 22, 2010 and published as: WO 10/085669 on: Jul. 29, 2010.

(Continued)

*Primary Examiner* — T. Chase Nelson  
*Assistant Examiner* — Mark Cavanna  
(74) *Attorney, Agent, or Firm* — Grant Anderson LLP

(57) **CLAIM**  
The ornamental design of an anti-static pipette tip tray, as shown and described.

**DESCRIPTION**

This patent application claims the benefit of the U.S. patent application entitled Anti-Static Pipette Tip Tray, filed Jan. 22, 2010, naming Arta Motadel and Scott Curry as inventors, and designated by Ser. No. 12/692,426. The entire content of the foregoing patent application is hereby incorporated by reference.

FIG. 1 is a perspective view of an anti-static pipette tip tray with a top-mounted discharge tab;

FIG. 2 is a sectional view of FIG. 1 taken along line 2-2. The area identified by the broken line circle "3" in FIG. 2 is the enlarged partial view shown in FIG. 3;

FIG. 3 shows an enlarged view of the detail area identified in FIG. 2;

FIG. 4 is a front length side view of a pipette tip tray with a top-mounted discharge tab;

FIG. 5 is a back length side view of a pipette tip tray with a top-mounted discharge tab;

FIG. 6 is a sectional view of FIG. 10 taken along line 6-6. The area identified by the broken line circle "7" in FIG. 6 is the enlarged partial view shown in FIG. 7;

FIG. 7 shows an enlarged view of detail area identified in FIG. 6;

FIG. 8 is a front width side view of a pipette tip tray with a top-mounted discharge tab;

FIG. 9 is a back width side view of a pipette tip tray with a top-mounted discharge tab;

FIG. 10 is a top view of a pipette tip tray with a top-mounted discharge tab;

FIG. 11 is a bottom view of a pipette tip tray with a top-mounted discharge tab;

FIG. 12 is a perspective view of a conductive pillow shown separately for clarity of illustration with a top-mounted discharge tab;

FIG. 13 is a back length thereof;

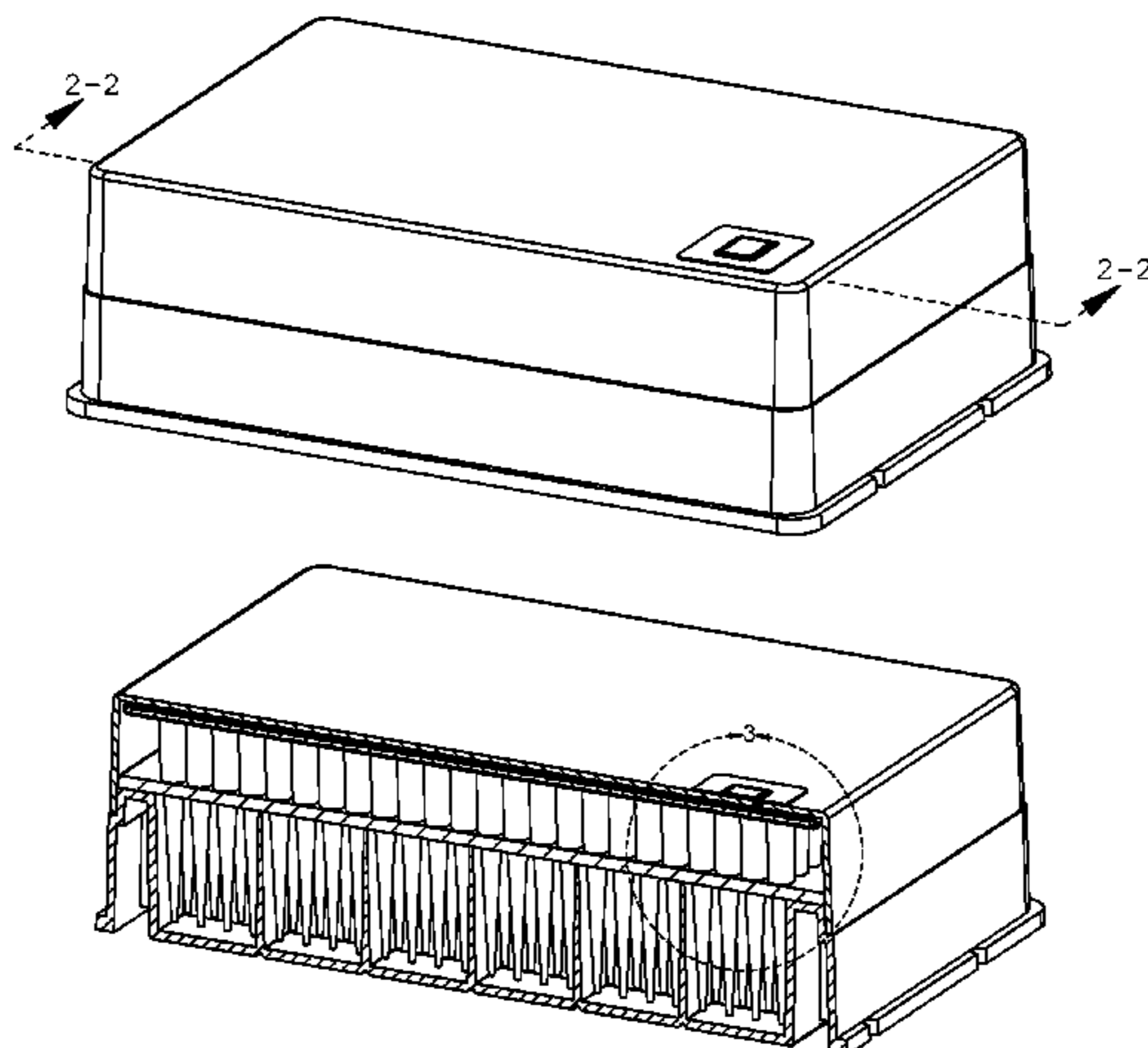
FIG. 14 is a front length view thereof; FIG. 15 is a back width view thereof;

FIG. 16 is a top view thereof;

FIG. 17 is a bottom view thereof; and, FIG. 18 is a top view thereof.

Broken lines are included for the purpose of illustrating portions of the pipette tip tray assembly that forms no part of the claimed design.

**1 Claim, 12 Drawing Sheets**



# US D679,025 S

Page 2

## U.S. PATENT DOCUMENTS

4,676,377 A 6/1987 Rainin et al.  
5,156,811 A 10/1992 White  
D337,165 S \* 7/1993 Malinoff ..... D24/222  
5,255,979 A 10/1993 Ferrari  
5,366,088 A 11/1994 Hill et al.  
5,392,914 A 2/1995 Lemieux et al.  
5,487,872 A \* 1/1996 Hafeman et al. .... 422/553  
5,612,000 A 3/1997 Lemieux  
D411,308 S \* 6/1999 Pandey et al. .... D24/216  
D414,271 S \* 9/1999 Mendoza ..... D24/227  
6,007,779 A 12/1999 Lemieux et al.  
D420,142 S \* 2/2000 Ballin et al. .... D24/230  
D420,743 S \* 2/2000 Monks ..... D24/224  
6,019,225 A \* 2/2000 Kalmakis et al. .... 422/526  
6,164,449 A 12/2000 Lahti  
6,286,678 B1 9/2001 Petrek  
D448,854 S \* 10/2001 Kuiper et al. .... D24/230  
6,426,047 B1 7/2002 Hamel et al.  
D461,554 S \* 8/2002 Lafond et al. .... D24/227  
D466,219 S \* 11/2002 Wyszchen et al. .... D24/227  
6,875,405 B1 \* 4/2005 Mathus et al. .... 422/562  
7,060,226 B1 6/2006 Jessop et al.  
D529,622 S \* 10/2006 Hadjis et al. .... D24/229  
D533,948 S \* 12/2006 Schaub et al. .... D24/229  
D556,338 S \* 11/2007 Coulling et al. .... D24/230  
D556,339 S \* 11/2007 Coulling et al. .... D24/230  
D562,463 S \* 2/2008 Berndt et al. .... D24/226  
7,335,337 B1 2/2008 Smith  
D574,505 S \* 8/2008 Muller-Cohn et al. .... D24/216  
D576,208 S \* 9/2008 Quercetti ..... D19/37

D593,207 S \* 5/2009 Ayliffe ..... D24/229  
7,906,075 B2 3/2011 Ueda  
7,968,056 B2 6/2011 Stockwell  
2003/0064508 A1 4/2003 Kwasnoski et al.  
2006/0093530 A1 5/2006 Ueda  
2007/0017870 A1 1/2007 Belov et al.  
2010/0221151 A1 9/2010 Motadel

## FOREIGN PATENT DOCUMENTS

WO WO 00/24513 5/2000  
WO WO 01/70401 9/2001  
WO WO 02/072261 9/2002  
WO WO 03/064271 8/2003  
WO WO 2006/133440 12/2006  
WO WO 2009/126945 10/2009  
WO WO 2010/085669 7/2010

## OTHER PUBLICATIONS

Office Action mailed: Feb. 13, 2012 in U.S. Appl. No. 12/692,426, filed Jan. 22, 2012 and published as: US-2010/0221151 on: Sep. 2, 2010.

Extended European Search Report dated: Jun. 1, 2012 in European Application No. EP10733922 filed Jan. 22, 2010, based on International Application No: PCT/US2010/021838 filed Jan. 22, 2010 and published as WO/2010/085669 on Jul. 29, 2010.

International Preliminary Report on Patentability mailed on: Aug. 4, 2011 in International Application No. PCT/US2010/021838 filed on Jan. 22, 2010 and published as: WO 10/085669 on: Jul. 29, 2010.

\* cited by examiner

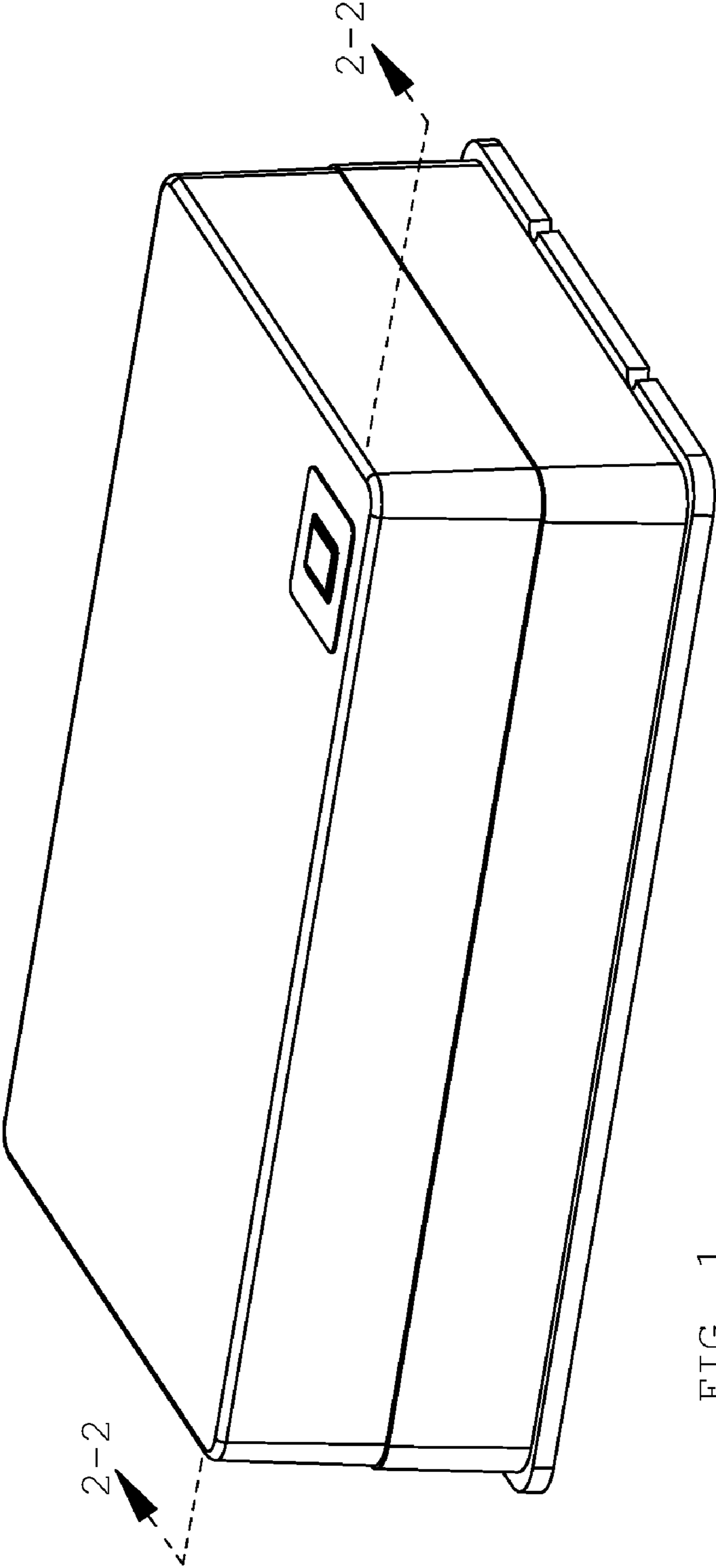


FIG. 1

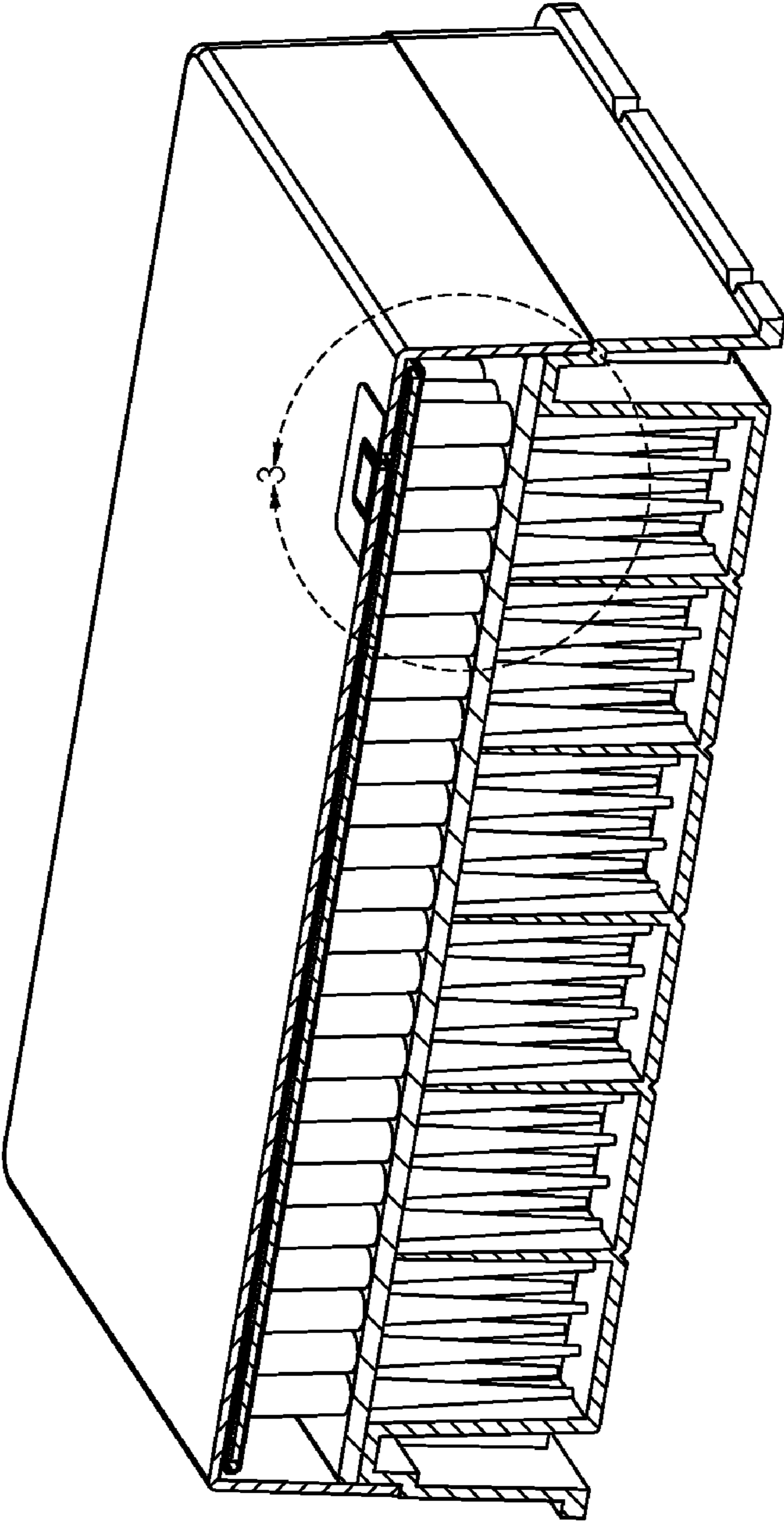


FIG. 2

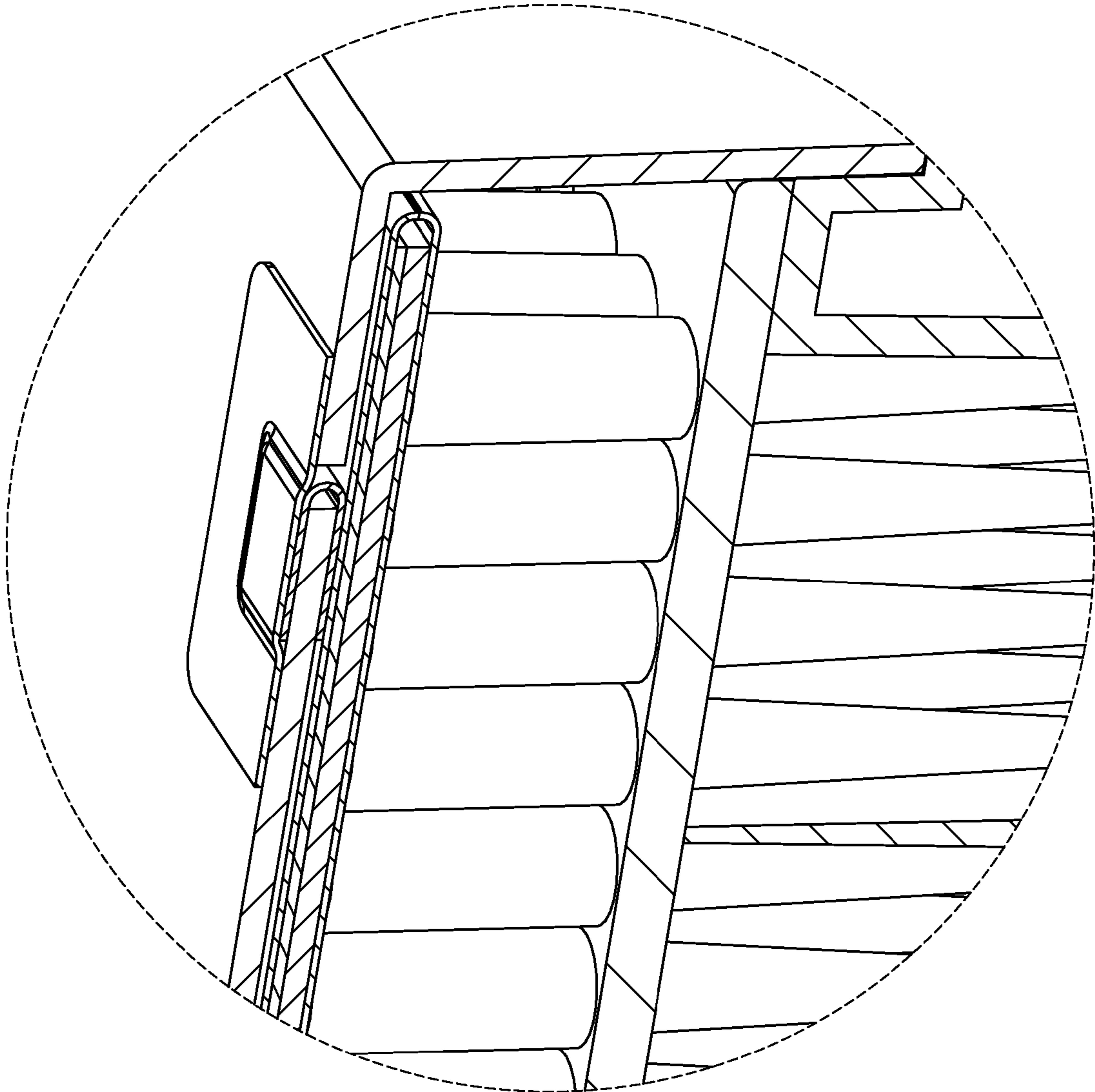


FIG. 3

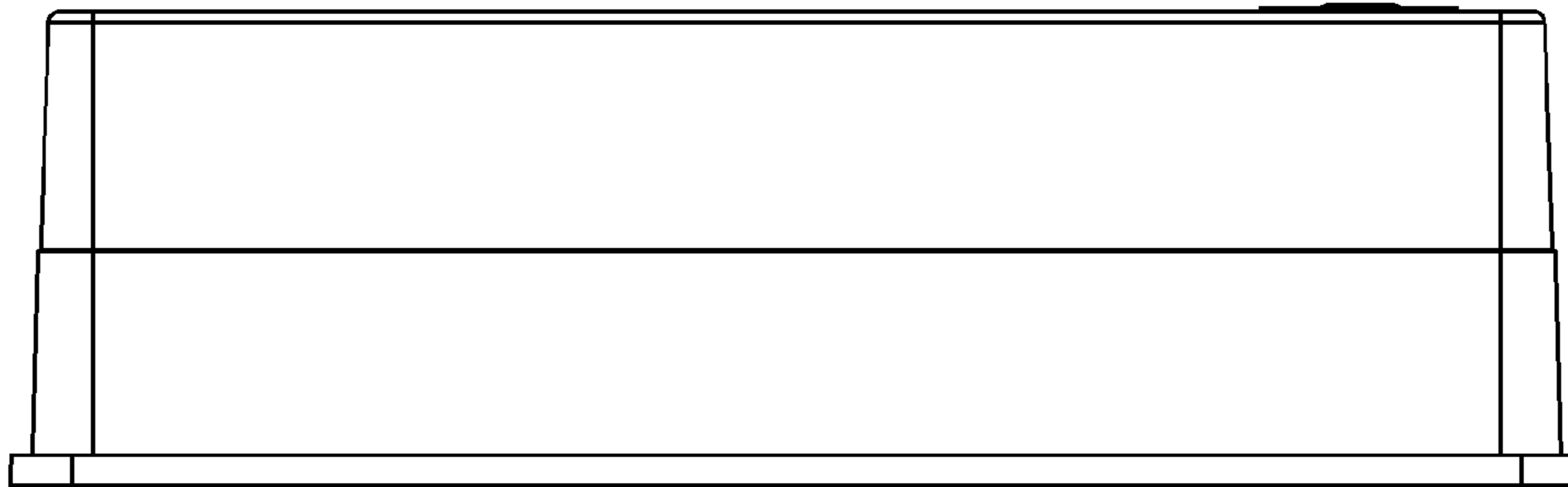


FIG. 4

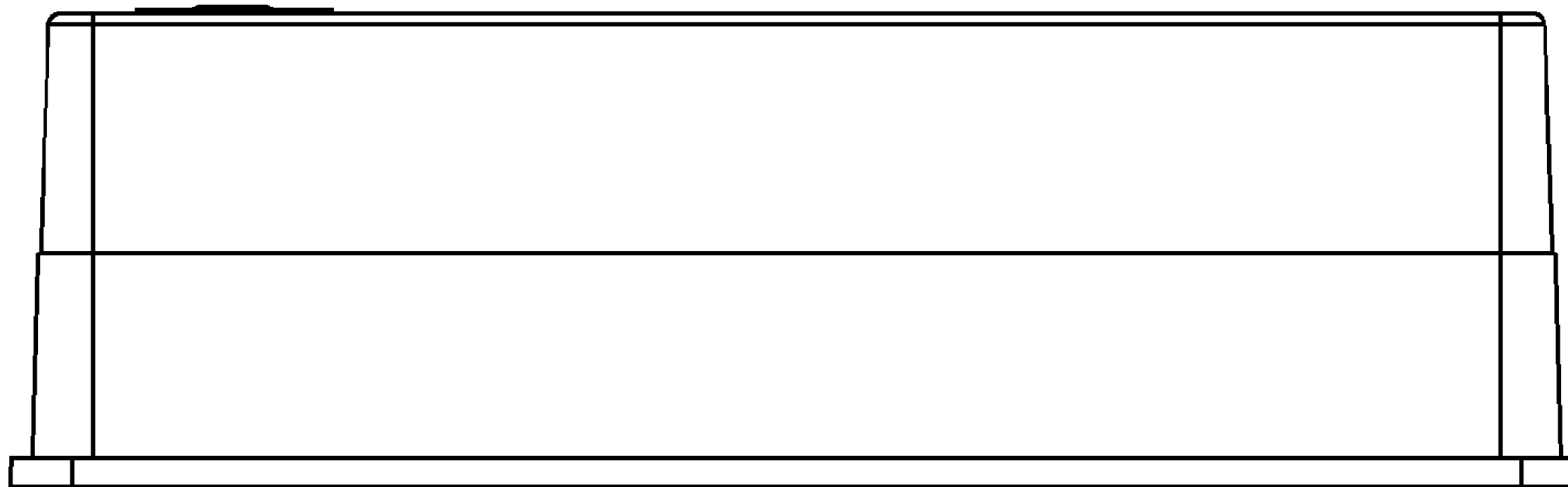


FIG. 5

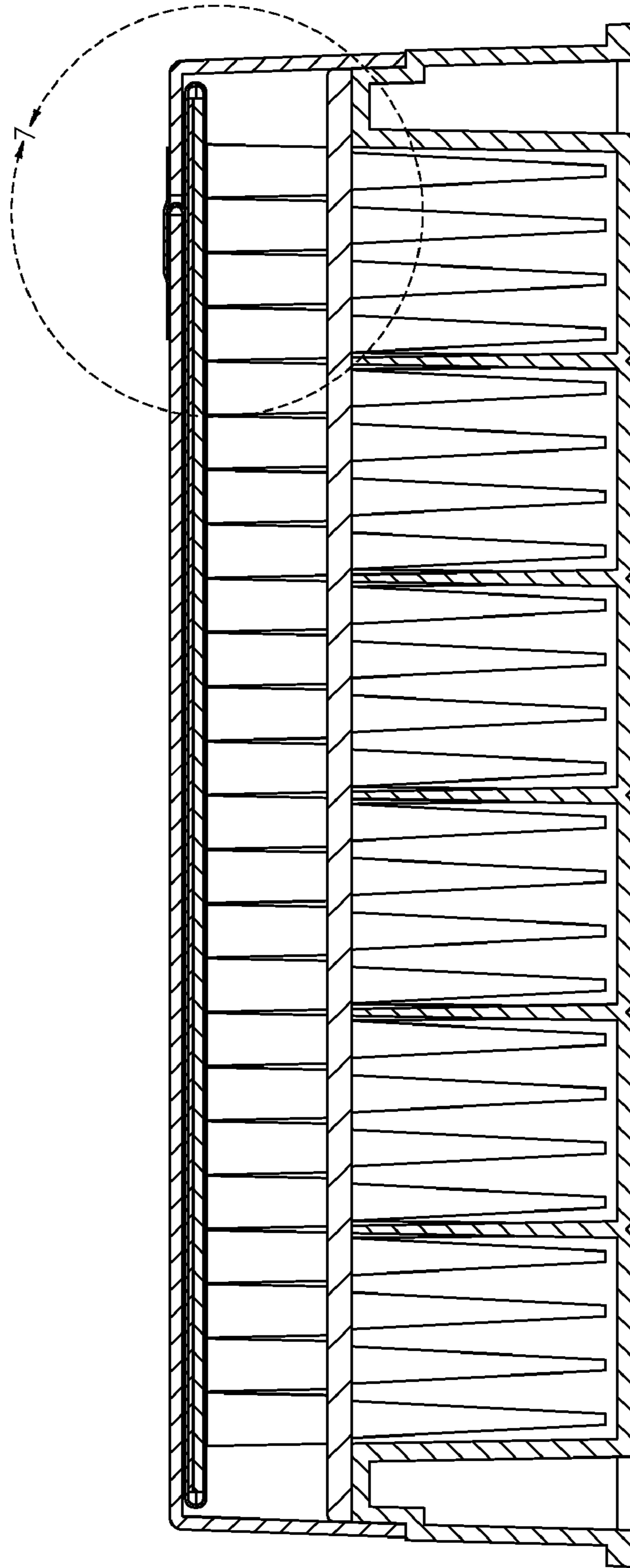


FIG. 6

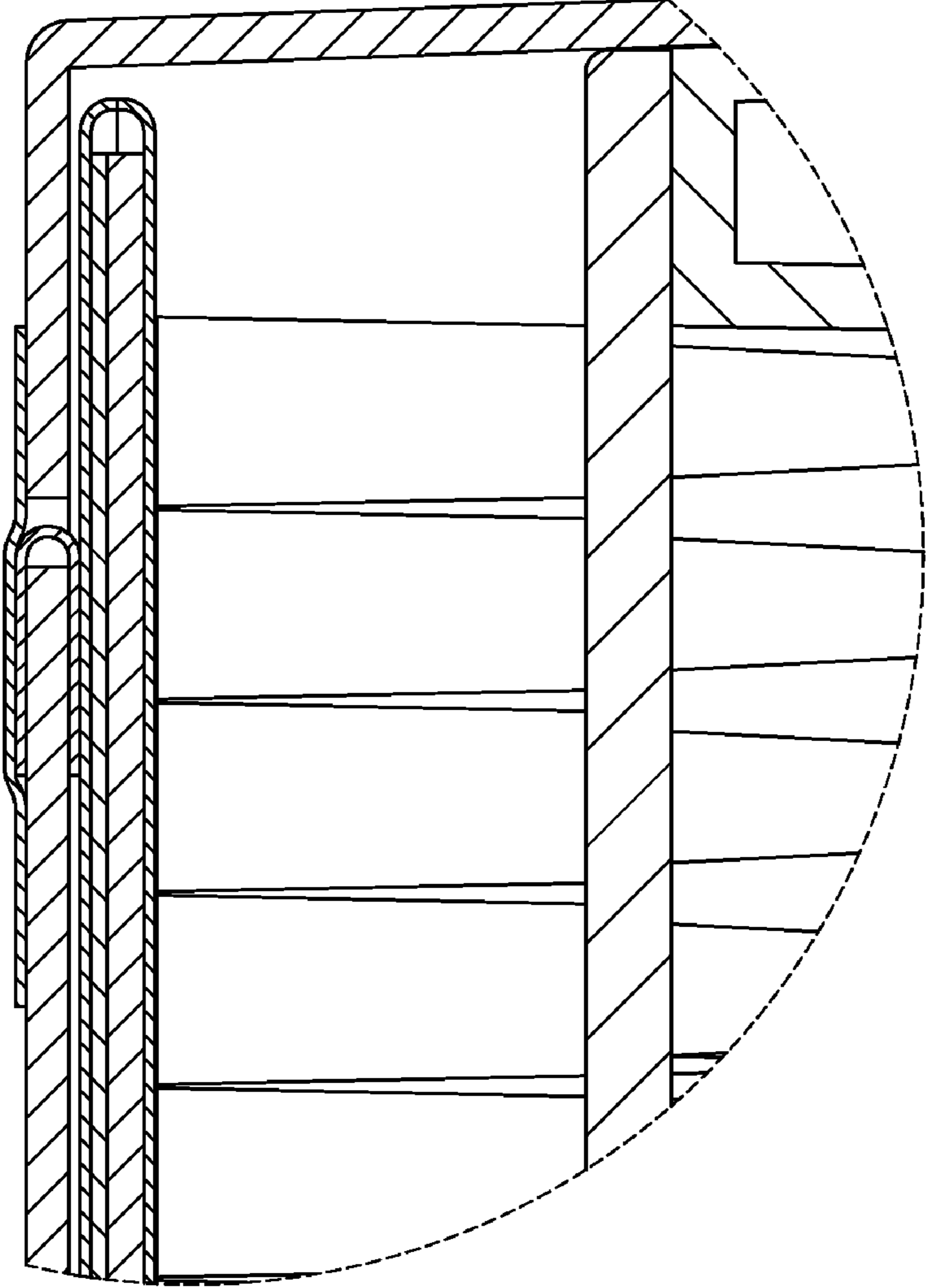


FIG. 7



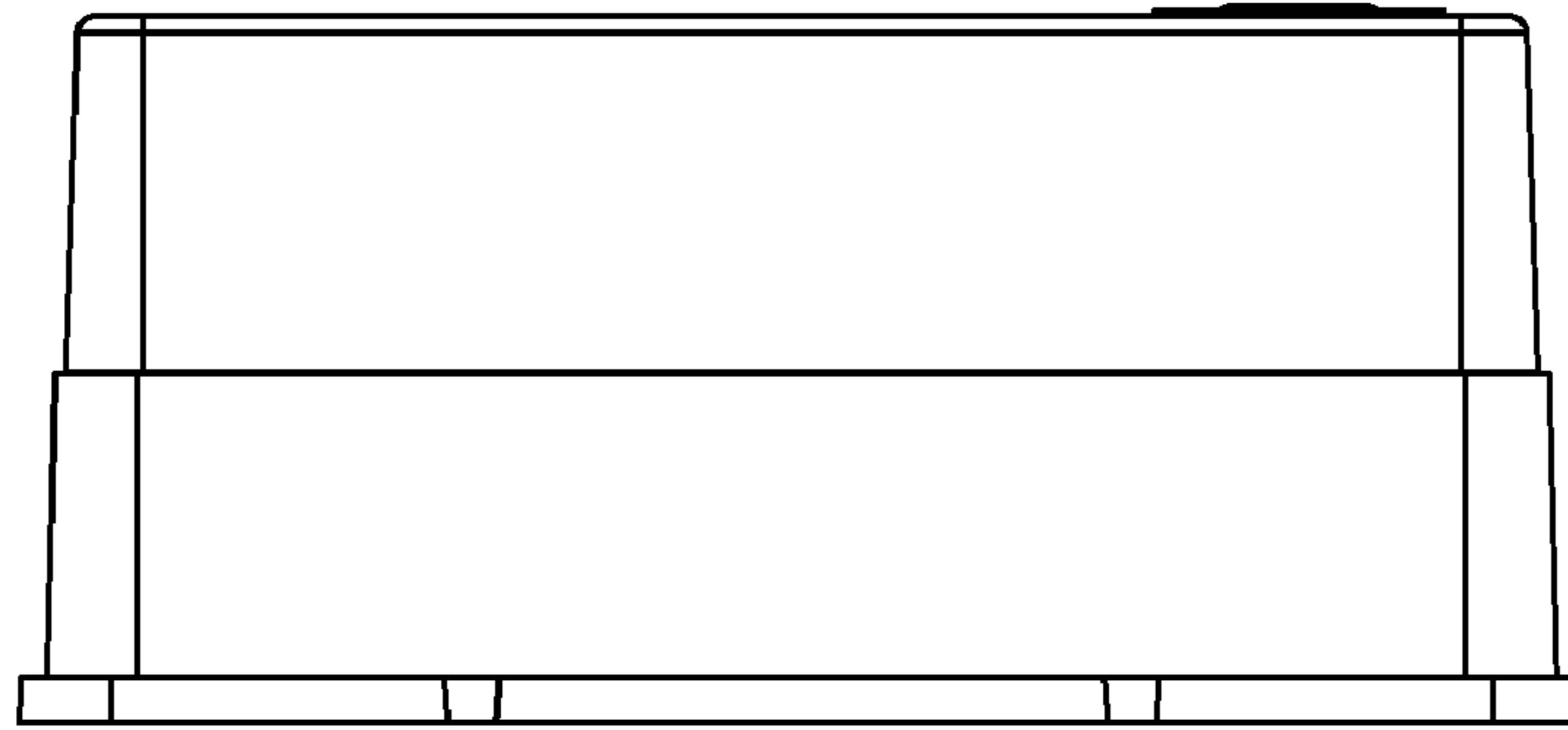


FIG. 8

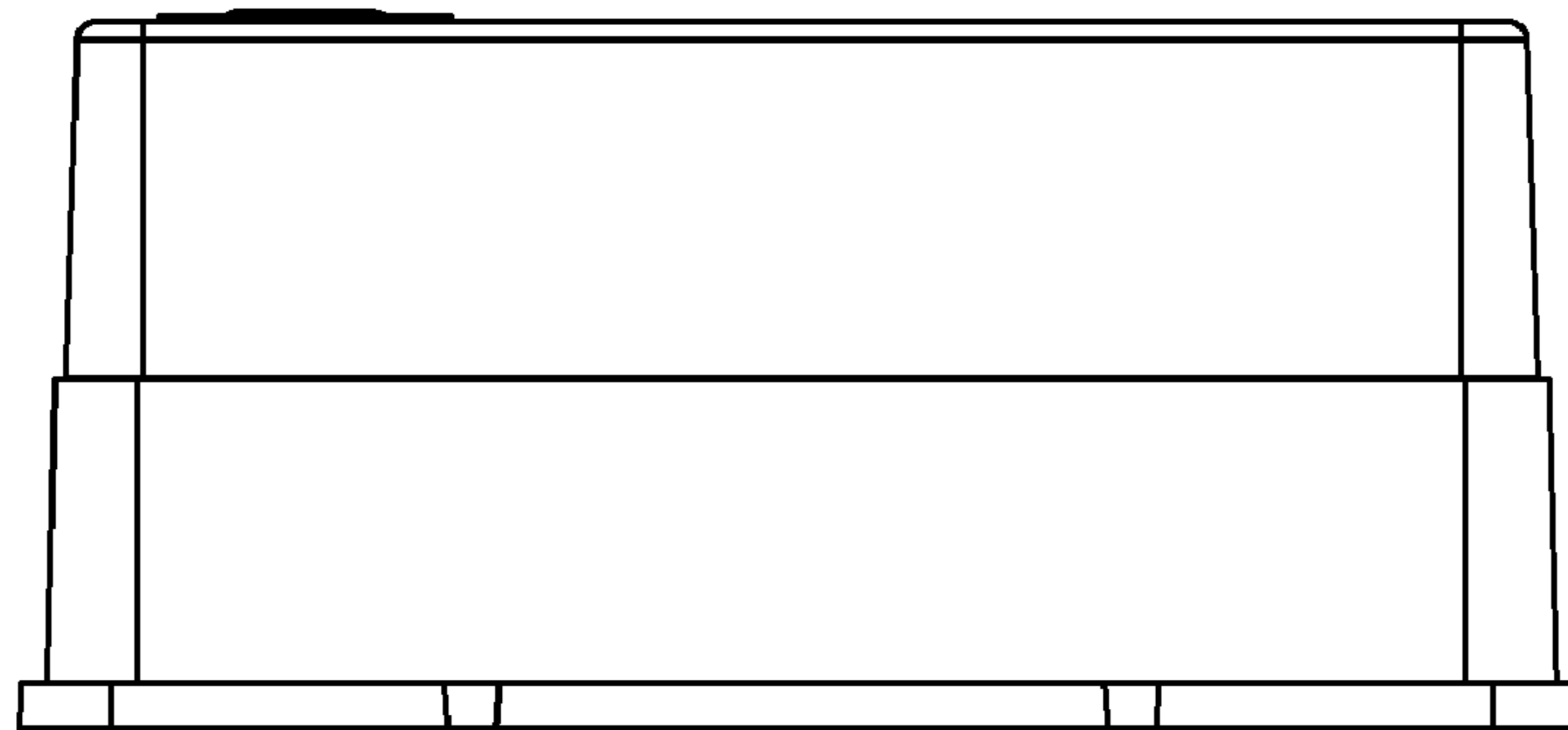


FIG. 9



FIG. 10

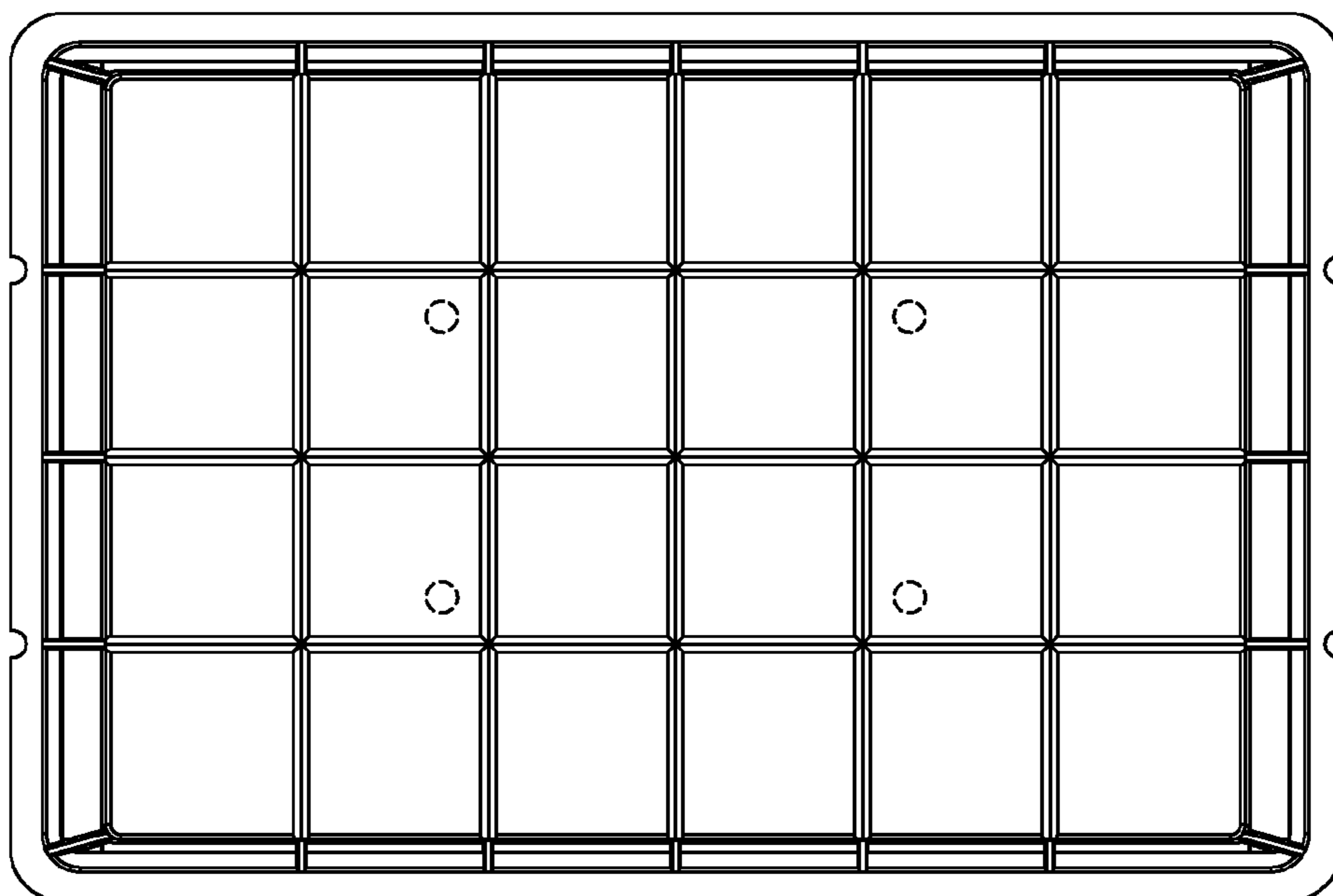


FIG. 11

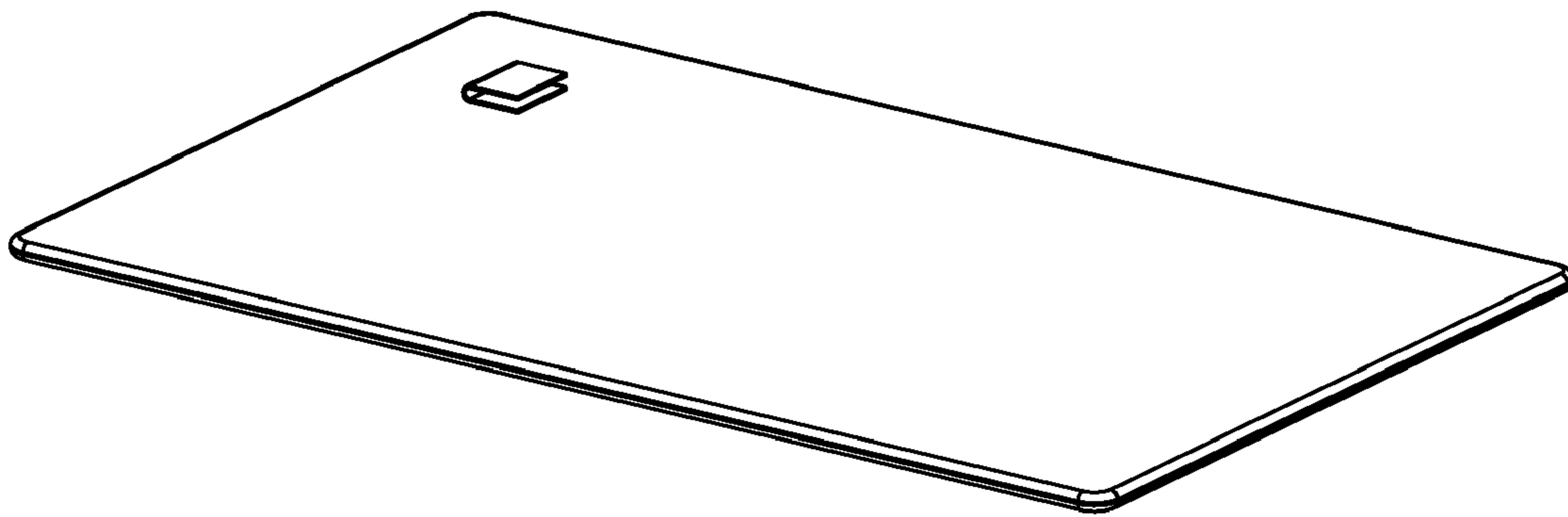


FIG. 12

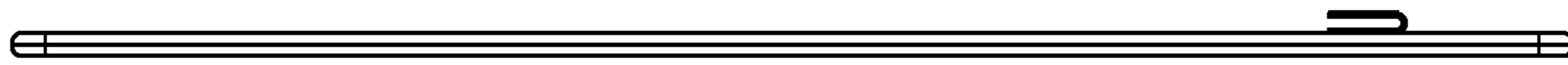


FIG. 13

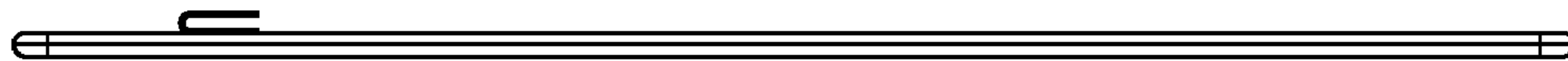


FIG. 14



FIG. 15

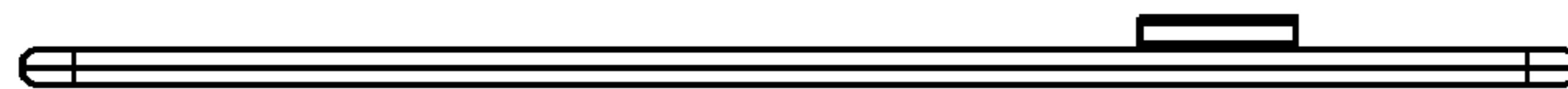


FIG. 16

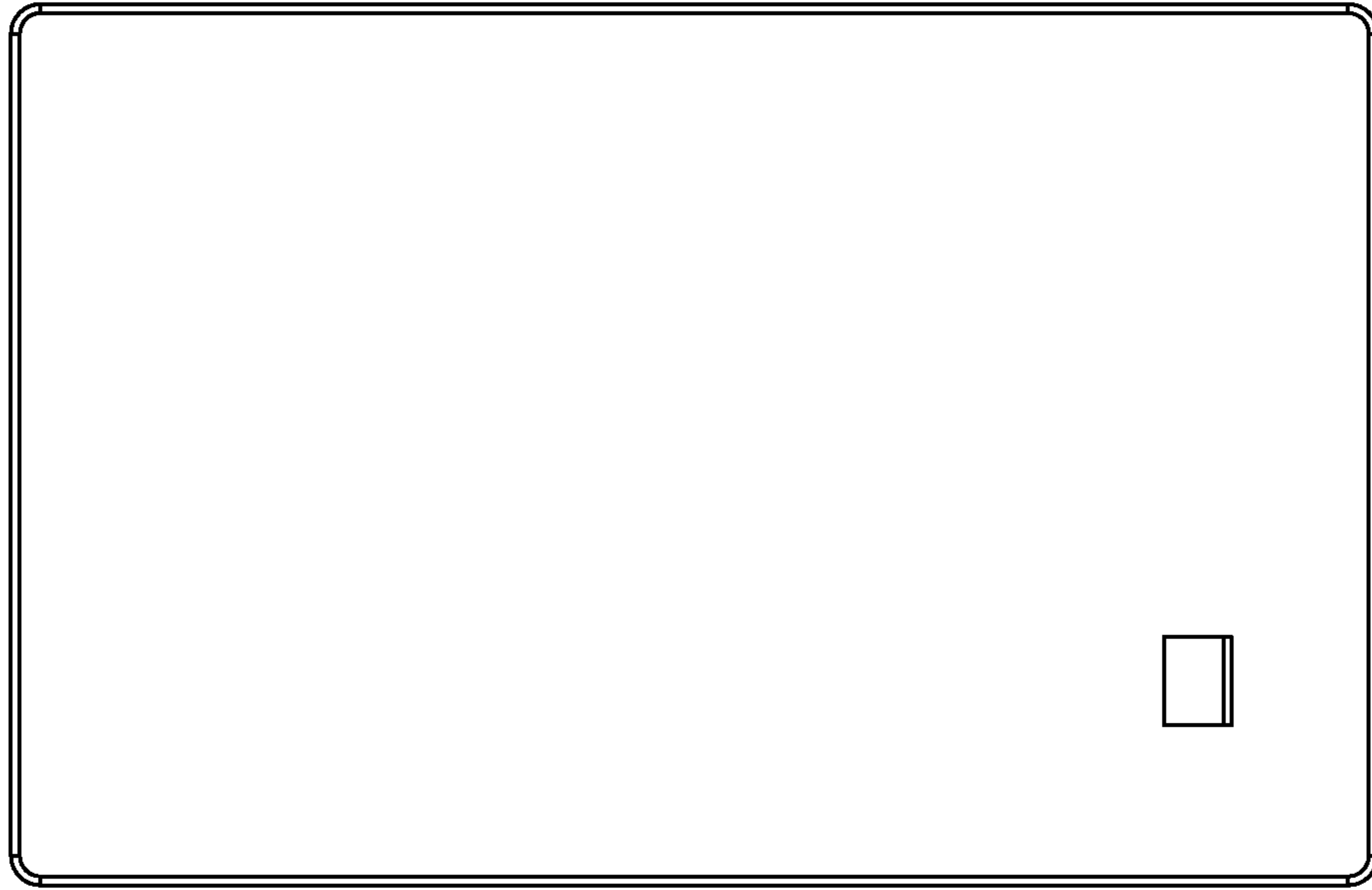


FIG. 17



FIG. 18