



US00D679024S

(12) **United States Design Patent**
Kouge et al.

(10) **Patent No.:** **US D679,024 S**
(45) **Date of Patent:** **** Mar. 26, 2013**

(54) **CHIP FOR BIOCHEMICAL EXAMINATION**

FOREIGN PATENT DOCUMENTS

(75) Inventors: **Masahiro Kouge**, Ehime (JP);
Kazuyoshi Mori, Ehime (JP)

JP	D1332499	6/2008
JP	D1332500	6/2008
JP	D1332501	6/2008
JP	D1332502	6/2008
JP	D1345448	12/2008

(73) Assignee: **Panasonic Corporation**, Osaka (JP)

* cited by examiner

(**) Term: **14 Years**

Primary Examiner — Anhdao Doan

(21) Appl. No.: **29/415,084**

(74) *Attorney, Agent, or Firm* — Brinks Hofer Gilson & Lione

(22) Filed: **Mar. 7, 2012**

(30) **Foreign Application Priority Data**

(57) **CLAIM**

We claim the ornamental design for a chip for biochemical examination, as shown and described.

Oct. 20, 2011 (JP) 2011-024084

DESCRIPTION

(51) **LOC (9) Cl.** **24-01**

(52) **U.S. Cl.** **D24/225**

(58) **Field of Classification Search** D24/216–217,
D24/219, 223–226, 227, 229–231, 232, 107,
D24/121–123; D10/81; 422/408, 430, 500,
422/502, 503, 68.1; 436/163, 164, 169

See application file for complete search history.

FIG. 1 is a front perspective view of a chip for biochemical examination of the present invention; FIG. 2 is a rear perspective view thereof; FIG. 3 is a front view thereof; FIG. 4 is a rear view thereof; FIG. 5 is a first side view thereof; FIG. 6 is a second side view thereof; FIG. 7 is a top view thereof; FIG. 8 is a bottom view thereof; FIG. 9 is a cross-section view taken along the line 9-9'-9"-9 of FIG. 4 with the internal parts being omitted; FIG. 10 is a cross-section view taken along the line 10-10 of FIG. 4 with the internal parts being omitted; FIG. 11 is a cross-section view taken along the line 11-11 of FIG. 4 with the internal parts being omitted; and, FIG. 12 is a cross-section view taken along the line 12-12 of FIG. 4 with the internal parts being omitted.

(56) **References Cited**

U.S. PATENT DOCUMENTS

D243,543	S *	3/1977	Fadler et al.	D24/216
D252,157	S *	6/1979	Kronish et al.	D24/226
D351,913	S *	10/1994	Hieb et al.	D24/223
5,731,212	A *	3/1998	Gavin et al.	436/526
5,912,134	A *	6/1999	Shartle	435/7.24
D435,112	S *	12/2000	Kumar et al.	D24/224
6,926,864	B2 *	8/2005	Peeters et al.	422/68.1
D530,021	S *	10/2006	Muraca	D24/226
D595,860	S	7/2009	Yokogawa et al.		
D596,310	S	7/2009	Yokogawa et al.		
D621,060	S *	8/2010	Handique	D24/225
8,101,428	B2 *	1/2012	Zhou et al.	436/180
D655,423	S *	3/2012	Nielsen et al.	D24/216
8,202,491	B2 *	6/2012	Masters et al.	422/503
2009/0130719	A1 *	5/2009	Handique	435/91.2

The broken lines shown represent unclaimed subject matter and form no part of the claimed design. Additionally, the unevenly broken lines in the drawings define the limits of the claimed design.

1 Claim, 12 Drawing Sheets

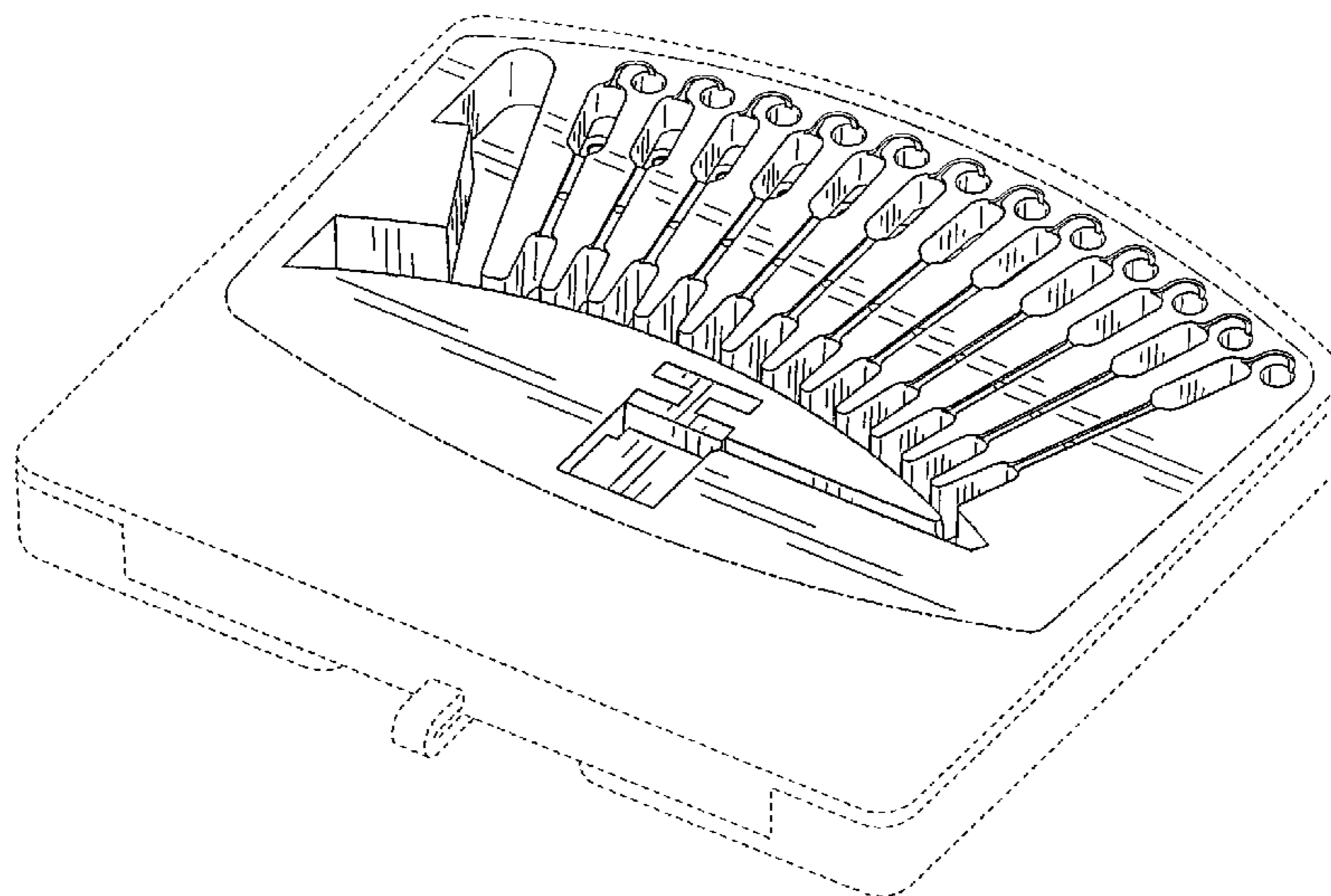


FIG. 1

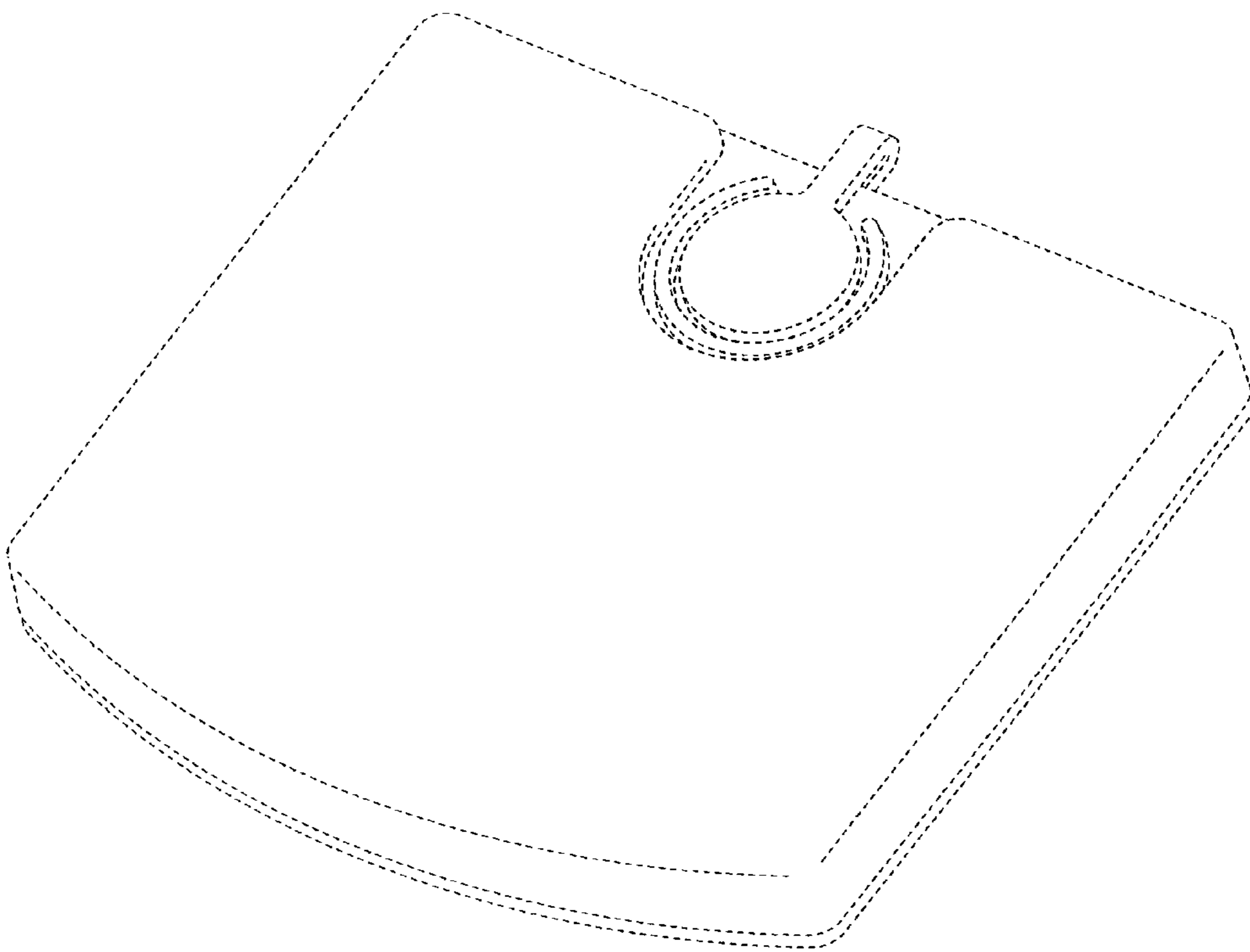


FIG. 2

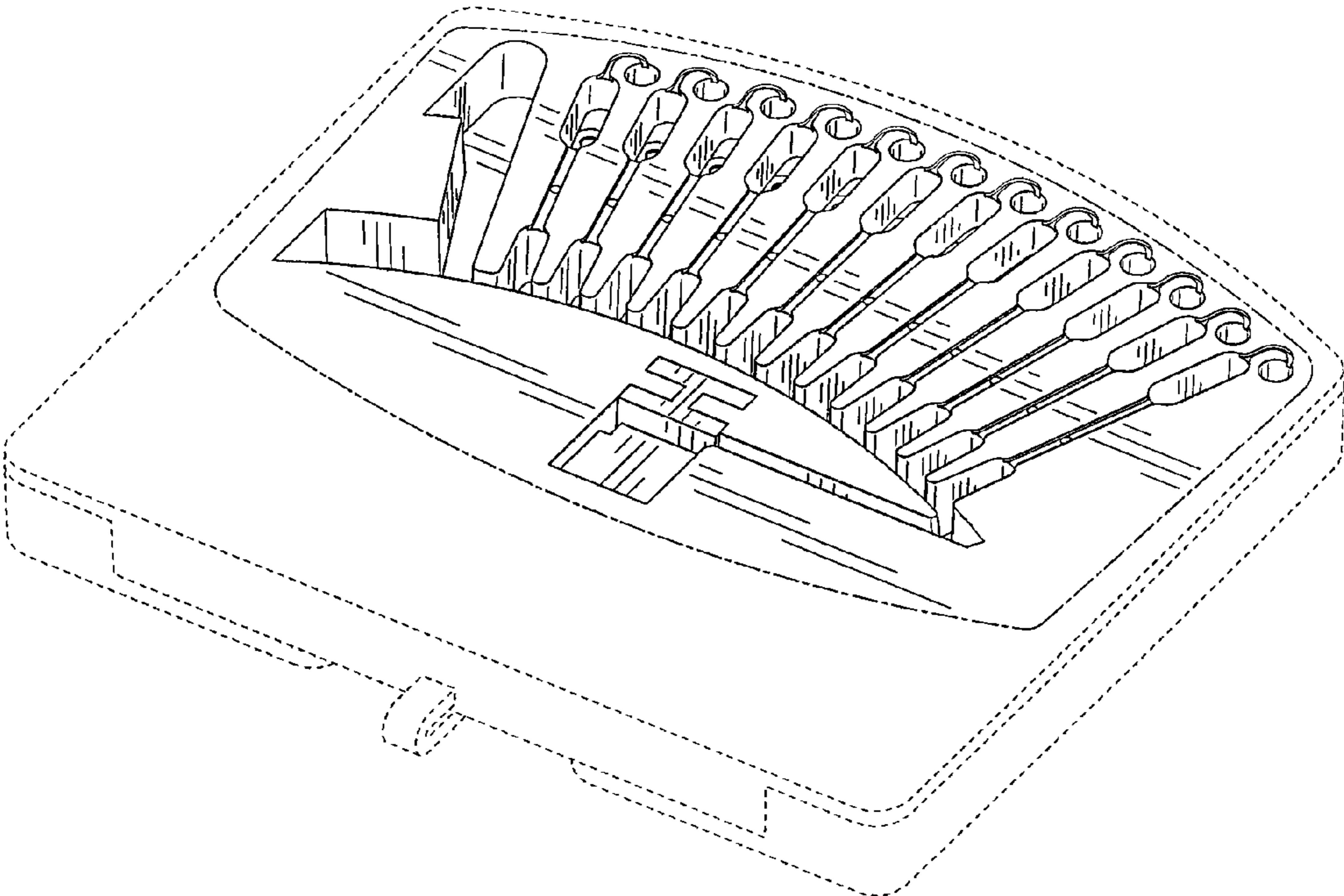


FIG. 3

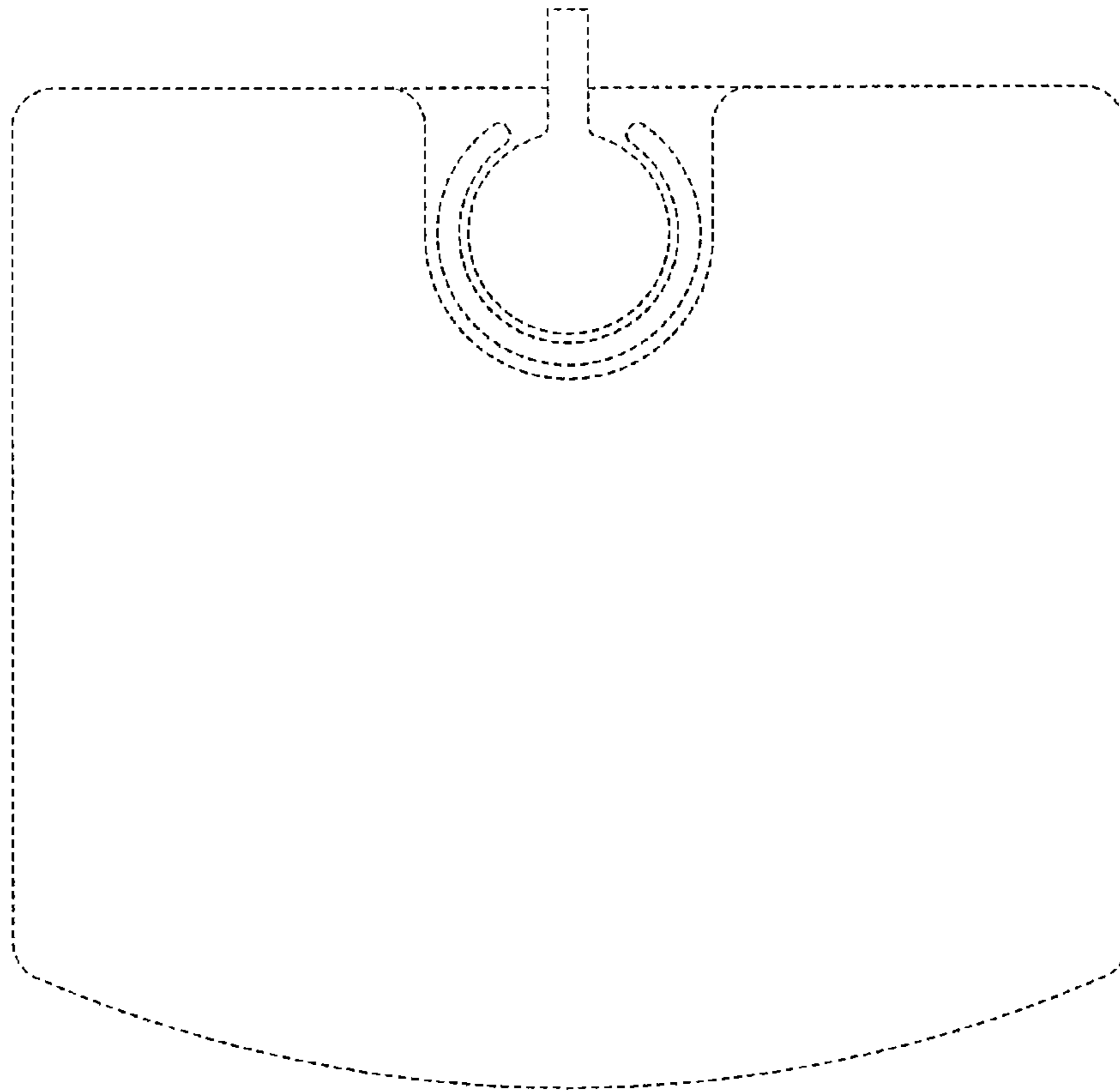


FIG. 4

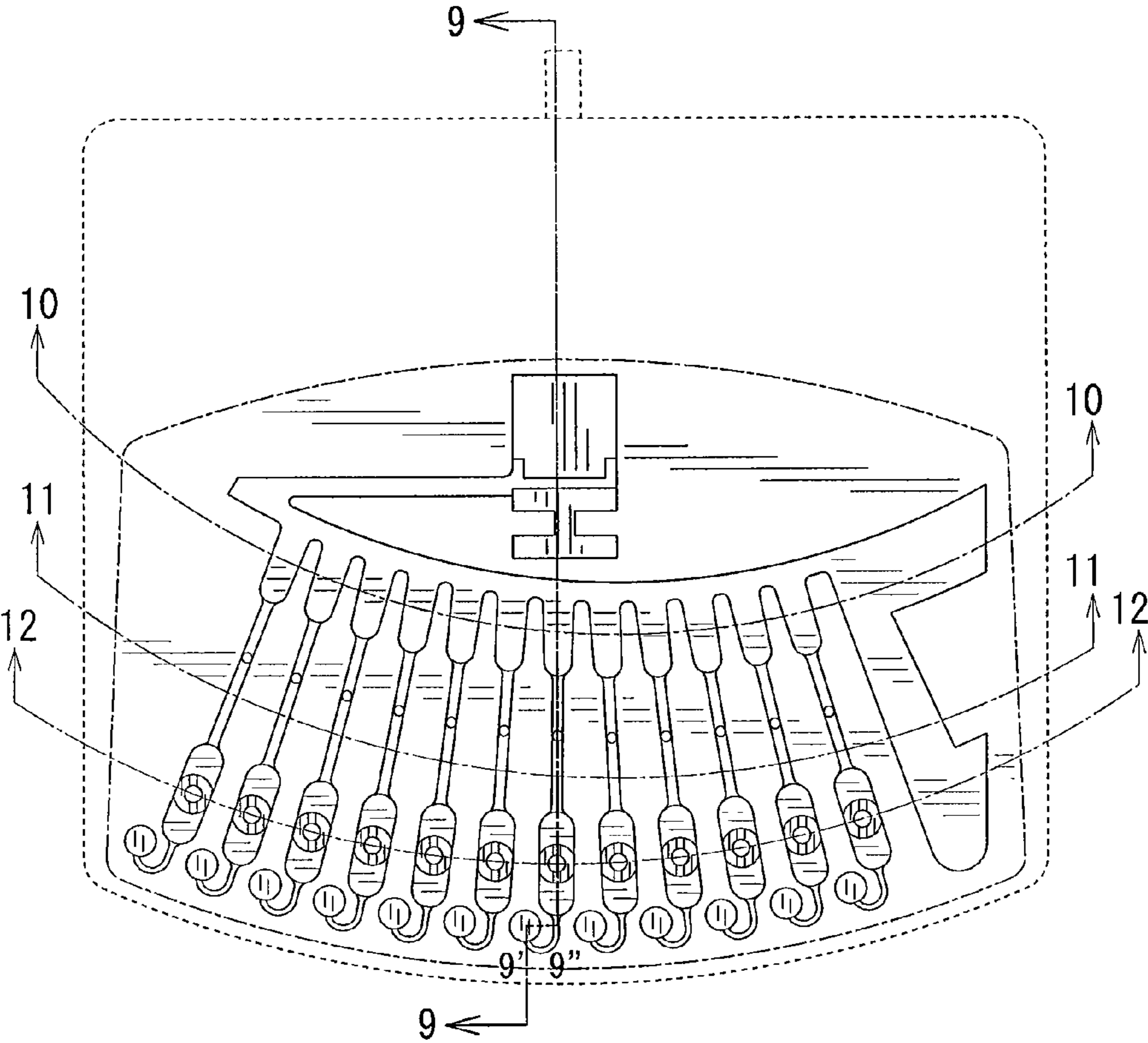


FIG. 5

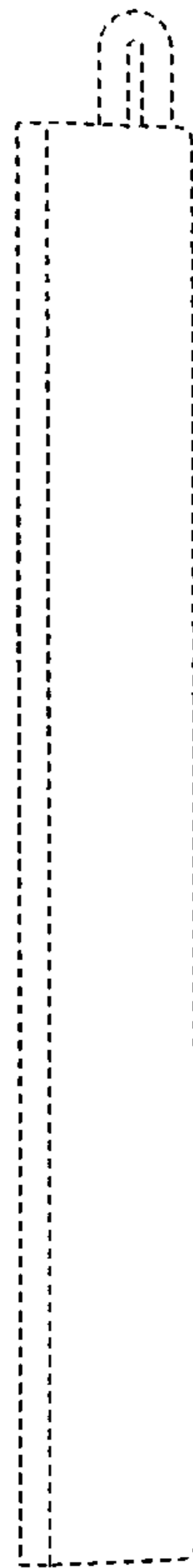


FIG. 6

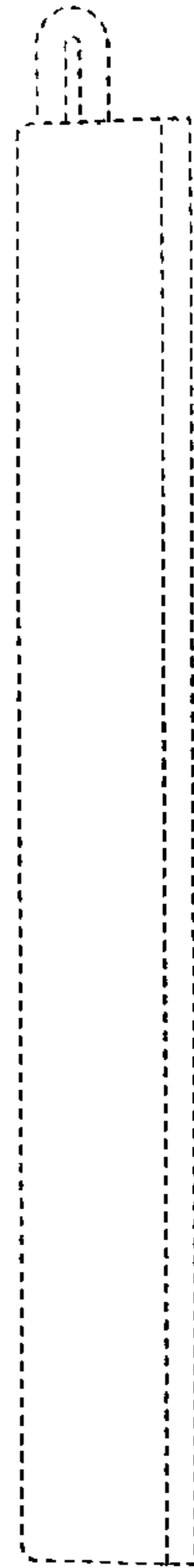


FIG. 7

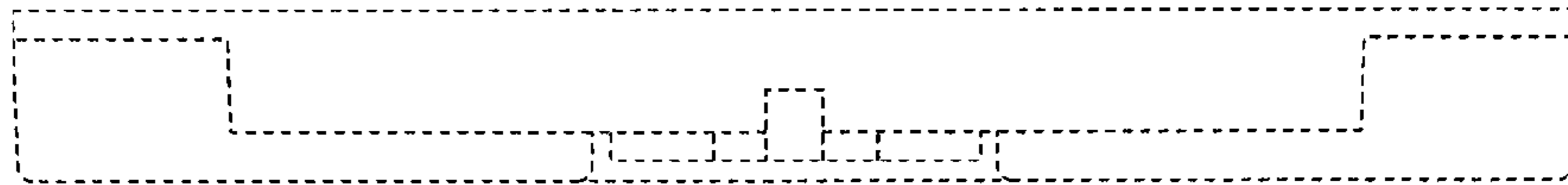


FIG. 8



FIG. 9

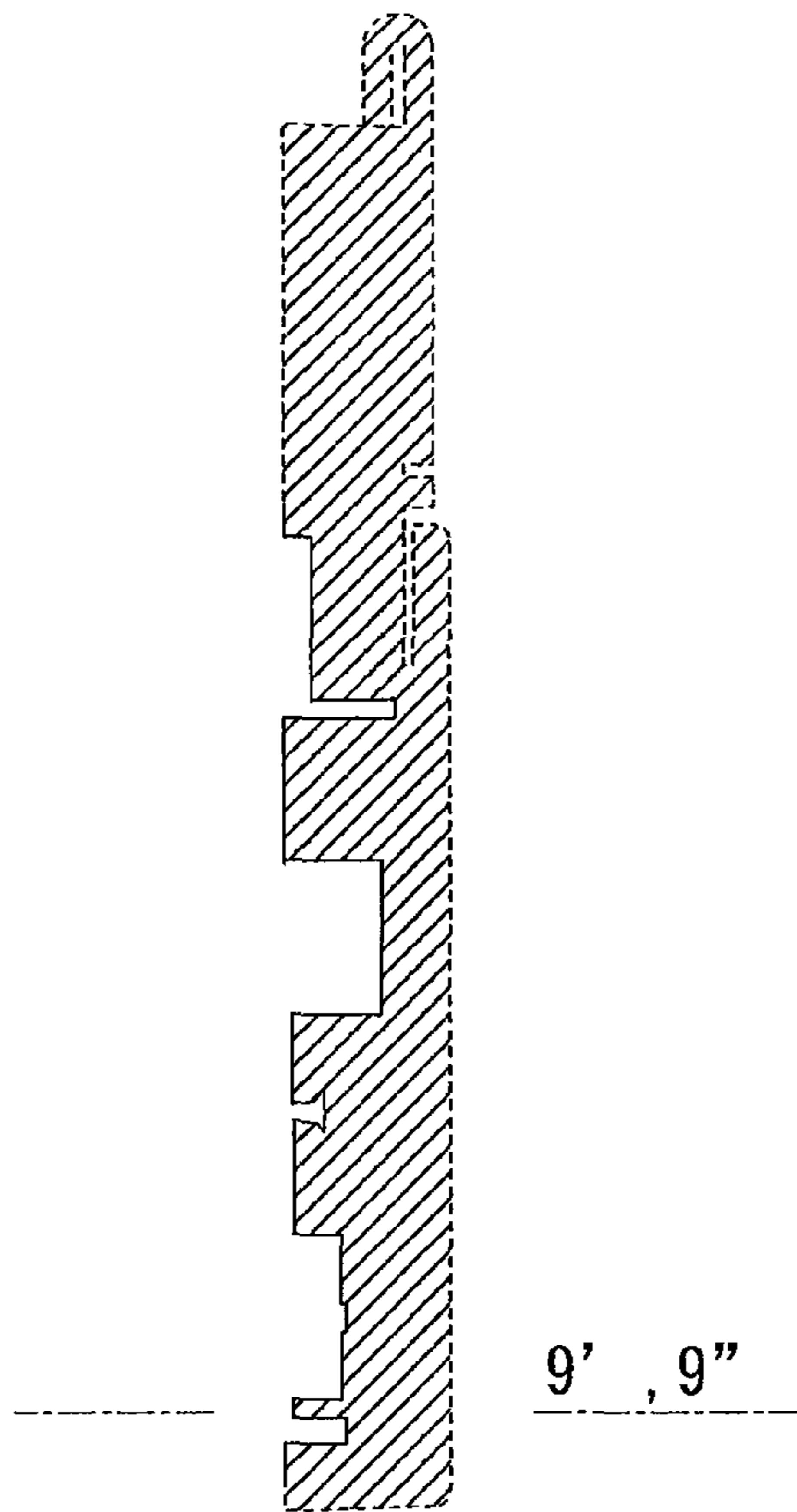


FIG. 10

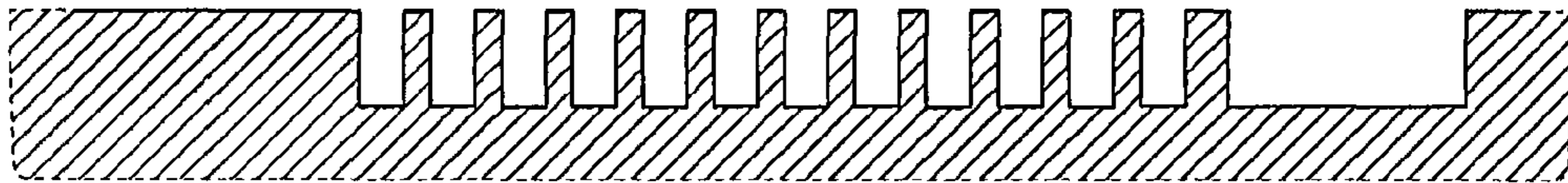


FIG. 11

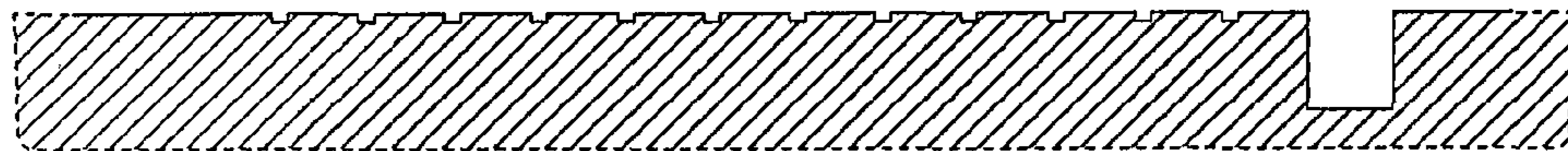


FIG. 12

