



US00D679023S

(12) **United States Design Patent**  
**Quisenberry**

(10) **Patent No.:** **US D679,023 S**  
(45) **Date of Patent:** **\*\* Mar. 26, 2013**

(54) **FOOT WRAP**

(75) Inventor: **Tony Quisenberry**, Highland Village, TX (US)

(73) Assignee: **ThermoTek, Inc.**, Flower Mound, TX (US)

(\*\*) Term: **14 Years**

(21) Appl. No.: **29/397,856**

(22) Filed: **Jul. 21, 2011**

**Related U.S. Application Data**

(63) Continuation of application No. 12/234,394, filed on Sep. 19, 2008, which is a continuation-in-part of application No. 11/733,709, filed on Apr. 10, 2007, and a continuation-in-part of application No. 10/894,369, filed on Jul. 19, 2004, now abandoned.

(51) **LOC (9) Cl.** ..... **24-04**

(52) **U.S. Cl.** ..... **D24/207**

(58) **Field of Classification Search** ..... D24/206-208, D24/189-192, 212, 213; 602/1-7, 17-27, 602/61-66, 74; 128/95.1, 100.1, 101.1, 876; 606/204, 27; 607/96, 108, 109, 111, 112; D29/101.2, 101.5, 120.1, 121.1, 113; D3/327; 601/15, 150; 126/204

See application file for complete search history.

(56) **References Cited**

**U.S. PATENT DOCUMENTS**

773,828 A	11/1904	Titus et al.
2,110,022 A	3/1938	Kliesrath
2,504,308 A	4/1950	Donkle, Jr.
3,014,117 A	12/1961	Madding
3,164,152 A	1/1965	Vere Nicoll
3,345,641 A	10/1967	Jennings
3,367,319 A	2/1968	Carter, Jr.
3,608,091 A	9/1971	Olson et al.
3,660,849 A	5/1972	Jonnes et al.
3,736,764 A	6/1973	Chambers et al.
3,738,702 A	6/1973	Jacobs
3,744,053 A	7/1973	Parker et al.

3,744,555 A	7/1973	Fletcher et al.
3,862,629 A	1/1975	Rotta
3,894,213 A	7/1975	Agarwala
4,006,604 A	2/1977	Seff
4,013,069 A	3/1977	Hasty
4,029,087 A	6/1977	Dye et al.
4,206,751 A	6/1980	Schneider
4,224,941 A	9/1980	Stivala
4,375,217 A	3/1983	Arkans
4,402,312 A	9/1983	Villari et al.
4,459,468 A	7/1984	Bailey
4,459,822 A	7/1984	Pasternack

(Continued)

**FOREIGN PATENT DOCUMENTS**

CH	670 541	6/1989
DE	35 22 127	1/1987

(Continued)

**OTHER PUBLICATIONS**

U.S. Appl. No. 12/730,060, Parish et al.

(Continued)

*Primary Examiner* — David Muller

(74) *Attorney, Agent, or Firm* — Winstead PC

(57) **CLAIM**

The ornamental design for foot wrap, as shown and described.

**DESCRIPTION**

FIG. 1 is an unfolded perspective view of a foot wrap in accordance with the design;

FIG. 2 is a perspective view of the foot wrap of FIG. 1 in use;

FIG. 3 is a perspective view of the foot wrap of FIG. 1 in use;

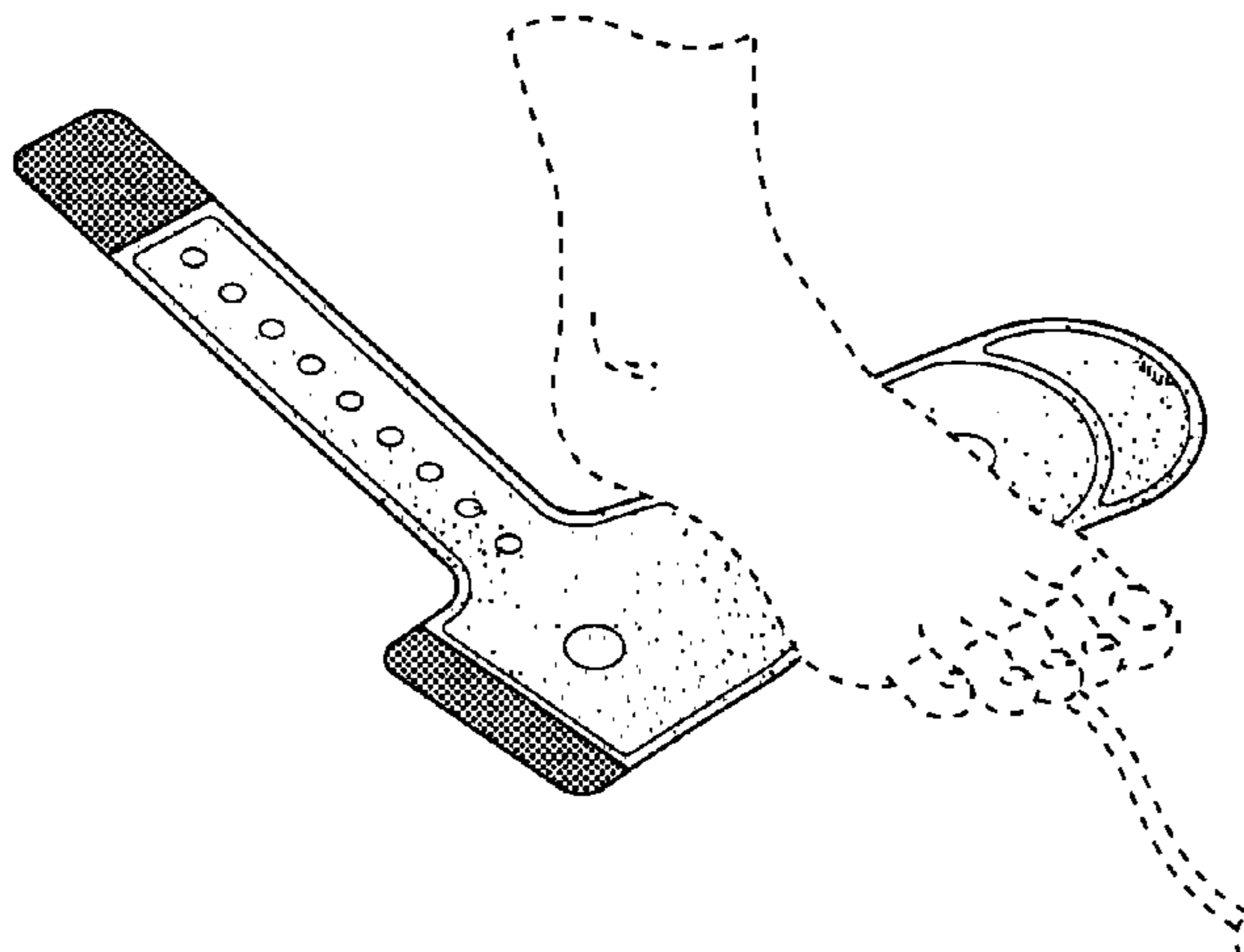
FIG. 4 is a perspective view of the foot wrap of FIG. 1 in use;

FIG. 5 is a top plan view of the foot wrap in accordance with the design; and,

FIG. 6 is a bottom plan view of the foot wrap in accordance with the design.

The features shown in broken lines in the drawings depict environmental subject matter only and form no part of the claimed design.

**1 Claim, 4 Drawing Sheets**



# US D679,023 S

Page 2

U.S. PATENT DOCUMENTS					
4,471,787	A	9/1984 Bentall	5,440,450	A	8/1995 Lau et al.
4,503,484	A	3/1985 Moxon	5,449,379	A	9/1995 Hadtke
4,547,906	A	10/1985 Nishida et al.	5,466,250	A	11/1995 Johnson, Jr. et al.
4,597,384	A	7/1986 Whitney	5,496,262	A	3/1996 Johnson, Jr. et al.
4,608,041	A	8/1986 Nielsen	5,507,792	A	4/1996 Mason
D285,821	S *	9/1986 Kneisley ..... D29/120.1	5,509,894	A	4/1996 Mason et al.
D288,372	S *	2/1987 Adams ..... D29/120.1	5,528,485	A	6/1996 Devilbiss et al.
4,660,388	A	4/1987 Greene, Jr.	5,561,981	A	10/1996 Quisenberry et al.
D295,897	S *	5/1988 Thimm-Kelly ..... D24/190	5,566,062	A	10/1996 Quisenberry et al.
4,741,338	A	5/1988 Miyamae	D376,013	S	11/1996 Sandman et al.
4,821,354	A	4/1989 Little	5,578,022	A	11/1996 Scherson et al.
4,844,072	A	7/1989 French et al.	5,588,954	A	12/1996 Ribando et al.
4,884,304	A	12/1989 Elkins	5,591,200	A	1/1997 Cone et al.
4,901,200	A	2/1990 Mazura	D380,874	S *	7/1997 Caswell ..... D29/113
4,911,231	A	3/1990 Horne et al.	5,648,716	A	7/1997 Devilbiss et al.
4,926,881	A	5/1990 Ichinomiya et al.	D383,546	S	9/1997 Amis et al.
4,962,761	A	10/1990 Golden	D383,547	S	9/1997 Mason et al.
4,969,881	A	11/1990 Viesturs	D383,848	S	9/1997 Mason et al.
4,979,375	A	12/1990 Nathans et al.	5,662,695	A	9/1997 Mason et al.
4,995,698	A	2/1991 Myers	5,672,152	A	9/1997 Mason et al.
4,996,970	A	3/1991 Legare	5,675,473	A	10/1997 McDunn et al.
5,044,364	A	9/1991 Crowther	5,682,748	A	11/1997 DeVilbiss et al.
5,051,562	A	9/1991 Bailey et al.	5,689,957	A	11/1997 DeVilbiss et al.
D320,872	S *	10/1991 McCrane ..... D29/113	5,690,849	A	11/1997 DeVilbiss et al.
5,067,040	A	11/1991 Fallik	5,711,029	A *	1/1998 Visco et al. .... 602/26
5,080,089	A	1/1992 Mason et al.	5,711,155	A	1/1998 DeVilbiss et al.
5,090,409	A	2/1992 Genis	D393,073	S	3/1998 Downing et al.
5,092,271	A	3/1992 Kleinsasser	5,731,954	A	3/1998 Cheon
5,097,829	A	3/1992 Quisenberry	5,733,321	A	3/1998 Brink
5,106,373	A	4/1992 Augustine et al.	D394,707	S	5/1998 Tsubooka
5,112,045	A	5/1992 Mason et al.	5,755,755	A	5/1998 Panyard
5,117,812	A	6/1992 McWhorter	5,772,618	A	6/1998 Mason et al.
5,125,238	A	6/1992 Ragan et al.	5,782,780	A	7/1998 Mason et al.
5,165,127	A	11/1992 Nicholson	5,795,312	A	8/1998 Dye
5,179,941	A	1/1993 Siemssen et al.	5,807,294	A	9/1998 Cawley et al.
5,184,612	A	2/1993 Augustine	5,827,208	A	10/1998 Mason
5,186,698	A	2/1993 Mason et al.	5,831,824	A	11/1998 McDunn et al.
5,230,335	A	7/1993 Johnson, Jr. et al.	D403,779	S	1/1999 Davis et al.
5,232,020	A	8/1993 Mason et al.	D404,490	S	1/1999 Tripolsky
5,241,951	A	9/1993 Mason et al.	D405,884	S	2/1999 Roper
5,243,706	A	9/1993 Frim et al.	5,871,526	A	2/1999 Gibbs et al.
5,263,538	A	11/1993 Amidieu et al.	5,890,371	A	4/1999 Rajasubramanian et al.
5,285,347	A	2/1994 Fox et al.	5,901,037	A	5/1999 Hamilton et al.
D345,082	S	3/1994 Wenzl	5,923,533	A	7/1999 Olson
D345,609	S	3/1994 Mason et al.	5,947,914	A	9/1999 Augustine
D345,802	S	4/1994 Mason et al.	5,980,561	A	11/1999 Kolen et al.
D345,803	S	4/1994 Mason et al.	5,989,285	A	11/1999 DeVilbiss et al.
5,300,101	A	4/1994 Augustine et al.	6,007,559	A	12/1999 Arkans
5,300,102	A	4/1994 Augustine et al.	6,055,157	A	4/2000 Bartilson
5,300,103	A	4/1994 Stempel et al.	6,058,010	A	5/2000 Schmidt et al.
5,303,716	A	4/1994 Mason et al.	6,058,712	A	5/2000 Rajasubramanian et al.
5,316,250	A	5/1994 Mason et al.	6,080,120	A	6/2000 Sandman et al.
D348,106	S	6/1994 Mason et al.	D428,153	S	7/2000 Davis
5,323,847	A	6/1994 Koizumi et al.	D430,288	S	8/2000 Mason et al.
5,324,319	A	6/1994 Mason et al.	D430,289	S	8/2000 Mason et al.
5,324,320	A	6/1994 Augustine et al.	6,117,164	A	9/2000 Gildersleeve et al.
D348,518	S	7/1994 Mason et al.	6,125,036	A	9/2000 Kang et al.
5,330,519	A	7/1994 Mason et al.	6,129,688	A	10/2000 Arkans
5,336,250	A	8/1994 Augustine	6,135,116	A	10/2000 Vogel et al.
5,343,579	A	9/1994 Dickerhoff et al.	6,176,869	B1	1/2001 Mason et al.
5,350,417	A	9/1994 Augustine	6,186,977	B1	2/2001 Andrews et al.
D351,472	S	10/1994 Mason et al.	6,238,427	B1	5/2001 Matta
5,352,174	A	10/1994 Mason et al.	6,260,890	B1	7/2001 Mason
5,354,117	A	10/1994 Danielson et al.	6,270,481	B1	8/2001 Mason et al.
D352,781	S	11/1994 Mason et al.	6,295,819	B1	10/2001 Mathiprakasam et al.
5,360,439	A	11/1994 Dickerhoff et al.	6,305,180	B1	10/2001 Miller et al.
5,370,178	A	12/1994 Agonafer et al.	6,319,114	B1	11/2001 Nair et al.
5,371,665	A	12/1994 Quisenberry et al.	6,352,550	B1	3/2002 Gildersleeve et al.
D354,138	S	1/1995 Kelly	6,358,219	B1	3/2002 Arkans
D357,747	S	4/1995 Kelly	6,368,592	B1	4/2002 Colton et al.
5,402,542	A	4/1995 Viard	6,436,064	B1	8/2002 Kloecker
5,405,370	A	4/1995 Irani	6,443,978	B1	9/2002 Zharov
5,405,371	A	4/1995 Augustine et al.	6,462,949	B1	10/2002 Parish, IV et al.
5,407,421	A	4/1995 Goldsmith	6,468,237	B1 *	10/2002 Lina ..... 601/150
D358,216	S	5/1995 Dye	6,508,831	B1	1/2003 Kushnir
5,411,494	A	5/1995 Rodriguez	D472,322	S	3/2003 Hognlund et al.
5,411,541	A	5/1995 Bell et al.	D473,315	S	4/2003 Miros et al.
5,417,720	A	5/1995 Mason	D473,656	S	4/2003 Miros et al.
			D473,948	S	4/2003 Elkins et al.

# US D679,023 S

6,551,264 B1	4/2003	Cawley et al.		D657,063 S	4/2012	Chiang
D474,544 S	5/2003	Hoglund et al.		D660,438 S	5/2012	Kennedy et al.
6,562,060 B1	5/2003	Momtaheni		D660,439 S	5/2012	Chen et al.
6,596,016 B1	7/2003	Vreman		D663,850 S	7/2012	Joseph
6,648,904 B2	11/2003	Altshuler et al.		D665,088 S	8/2012	Joseph
D484,601 S	12/2003	Griffiths et al.		D665,470 S	8/2012	Galbraith
D484,602 S	12/2003	Griffiths et al.		D666,258 S	8/2012	Campbell
6,660,027 B2	12/2003	Gruszecki et al.		D666,301 S	8/2012	Joseph
6,667,883 B1	12/2003	Solis et al.		2001/0039439 A1	11/2001	Elkins et al.
6,675,072 B1	1/2004	Kerem		2002/0116041 A1	8/2002	Daoud
D486,870 S	2/2004	Mason		2002/0143373 A1	10/2002	Courtnage et al.
6,695,823 B1	2/2004	Lina et al.		2003/0050594 A1	3/2003	Zamierowski
6,719,713 B2	4/2004	Mason		2003/0083610 A1	5/2003	McGrath et al.
6,719,728 B2	4/2004	Mason et al.		2003/0089486 A1	5/2003	Parish et al.
6,736,787 B1	5/2004	McEwen et al.		2003/0089487 A1	5/2003	Parish, IV et al.
D492,411 S	6/2004	Bierman		2003/0127215 A1	7/2003	Parish, IV et al.
6,775,137 B2	8/2004	Chu et al.		2003/0135252 A1	7/2003	MacHold et al.
D496,108 S	9/2004	Machin et al.		2003/0163183 A1	8/2003	Carson
6,789,024 B1	9/2004	Kochan, Jr. et al.		2003/0176822 A1	9/2003	Morgenlander
6,802,823 B2	10/2004	Mason		2004/0008483 A1	1/2004	Cheon
D499,846 S	12/2004	Cesko		2004/0030281 A1	2/2004	Goble et al.
6,834,712 B2	12/2004	Parish et al.		2004/0046108 A1	3/2004	Spector
6,846,295 B1	1/2005	Ben-Nun		2004/0054307 A1	3/2004	Mason et al.
6,848,498 B2	2/2005	Seki et al.		2004/0068309 A1	4/2004	Edelman
6,855,158 B2	2/2005	Stolpmann		2004/0068310 A1	4/2004	Edelman
6,893,414 B2	5/2005	Goble et al.		2004/0099407 A1	5/2004	Parish, IV et al.
D506,553 S	6/2005	Tesluk		2004/0133135 A1	7/2004	Diana
6,935,409 B1	8/2005	Parish, IV et al.		2004/0193218 A1	9/2004	Butler
6,936,019 B2	8/2005	Mason		2004/0210176 A1	10/2004	Diana
D510,140 S	9/2005	Brown		2004/0221604 A1	11/2004	Ota et al.
6,945,988 B1 *	9/2005	Jones ..... 607/108		2004/0260231 A1	12/2004	Goble et al.
D510,626 S	10/2005	Krahner et al.		2005/0004636 A1	1/2005	Noda et al.
D515,218 S	2/2006	McGuire et al.		2005/0006061 A1	1/2005	Quisenberry et al.
D523,147 S	6/2006	Tesluk		2005/0033390 A1	2/2005	McConnell
7,066,949 B2	6/2006	Gammons et al.		2005/0039887 A1	2/2005	Parish, IV et al.
7,081,128 B2	7/2006	Hart et al.		2005/0070828 A1	3/2005	Hampson et al.
D533,668 S	12/2006	Brown		2005/0070835 A1	3/2005	Joshi
D551,351 S	9/2007	Silva		2005/0133214 A1	6/2005	Pfahnl
D551,352 S *	9/2007	Frangi ..... D24/190		2005/0143797 A1	6/2005	Parish et al.
7,306,568 B2	12/2007	Diana		2005/0177093 A1	8/2005	Barry et al.
7,354,411 B2	4/2008	Perry et al.		2005/0182364 A1	8/2005	Burchman
D568,482 S	5/2008	Gramza et al.		2005/0256556 A1	11/2005	Schirmmacher et al.
D569,985 S *	5/2008	Ganapathy et al. .... D24/192		2005/0274120 A1	12/2005	Quisenberry et al.
7,427,153 B1	9/2008	Jacobs et al.		2005/0284615 A1	12/2005	Parish et al.
7,429,252 B2	9/2008	Sarangapani		2006/0034053 A1	2/2006	Parish et al.
7,484,552 B2	2/2009	Pfahnl		2006/0058714 A1	3/2006	Rhoades
7,492,252 B2	2/2009	Maruyama		2006/0116620 A1	6/2006	Oyaski
D595,620 S *	7/2009	Kingsbury ..... D24/190		2006/0241549 A1	10/2006	Sunnen
D601,707 S	10/2009	Chouiller		2006/0282028 A1	12/2006	Howard et al.
D608,006 S	1/2010	Avitable et al.		2007/0032778 A1	2/2007	Heaton et al.
D612,947 S	3/2010	Turtzo et al.		2007/0068651 A1	3/2007	Gammons et al.
D613,870 S	4/2010	Shust		2007/0112401 A1	5/2007	Balachandran et al.
7,717,869 B2	5/2010	Eischen, Sr.		2007/0118194 A1	5/2007	Mason et al.
D618,358 S	6/2010	Avitable et al.		2007/0129658 A1	6/2007	Hampson et al.
D619,267 S	7/2010	Beckwith et al.		2007/0260162 A1	11/2007	Meyer et al.
D620,122 S	7/2010	Cotton		2007/0282249 A1	12/2007	Quisenberry
D625,018 S	10/2010	Smith et al.		2008/0058911 A1	3/2008	Parish et al.
D626,241 S	10/2010	Sagnip et al.		2008/0064992 A1	3/2008	Stewart et al.
D626,242 S	10/2010	Sagnip et al.		2008/0071330 A1	3/2008	Quisenberry
D626,243 S	10/2010	Sagnip et al.		2008/0082029 A1	4/2008	Diana
D626,245 S	10/2010	Sagnip et al.		2008/0103422 A1	5/2008	Perry et al.
D627,896 S	11/2010	Matsuo et al.		2008/0132976 A1	6/2008	Kane et al.
D628,300 S	11/2010	Caden		2008/0249559 A1	10/2008	Brown et al.
D630,759 S	1/2011	Matsuo et al.		2008/0319362 A1	12/2008	Joseph
7,871,387 B2	1/2011	Tordella et al.		2009/0069731 A1	3/2009	Parish et al.
D631,971 S *	2/2011	Turtzo et al. .... D24/209		2009/0109622 A1	4/2009	Parish et al.
D633,657 S *	3/2011	Oban ..... D29/121.2		2009/0149821 A1	6/2009	Scherson et al.
D634,437 S	3/2011	Gramza et al.		2009/0254160 A1	10/2009	Shawver et al.
D634,851 S	3/2011	Chiang		2010/0030306 A1	2/2010	Edelman et al.
D635,266 S	3/2011	Chiang		2010/0081975 A1	4/2010	Avitable et al.
D635,267 S	3/2011	Chiang		2010/0137764 A1	6/2010	Eddy
7,896,910 B2	3/2011	Schirmmacher et al.		2010/0145421 A1	6/2010	Tomlinson et al.
D636,497 S	4/2011	Giaccone		2010/0150991 A1	6/2010	Bernstein
D638,950 S	5/2011	Janzon		2010/0249679 A1	9/2010	Perry et al.
D640,380 S	6/2011	Tweardy et al.		2011/0009785 A1	1/2011	Meyer et al.
D640,381 S	6/2011	Tweardy et al.		2011/0034861 A1	2/2011	Schaefer
D649,648 S	11/2011	Cavalieri et al.		2011/0071447 A1	3/2011	Liu et al.
D655,420 S	3/2012	Bowles		2011/0082401 A1	4/2011	Iker et al.
D655,821 S	3/2012	Matsuo		2011/0087142 A1	4/2011	Ravikumar et al.

## FOREIGN PATENT DOCUMENTS

EP	0 489 326	6/1992
GB	2373444 A	9/2002
SU	689674	10/1979
WO	WO-93/09727	5/1993
WO	WO-00/40186	7/2000
WO	WO-01/14012 A1	3/2001

## OTHER PUBLICATIONS

U.S. Appl. No. 12/708,422, Balachandran et al.  
 U.S. Appl. No. 12/871,188, Parish et al.  
 U.S. Appl. No. 13/107,264, Quisenberry.  
 U.S. Appl. No. 12/364,434, Quisenberry.  
 U.S. Appl. No. 13/190,564, Quisenberry et al.  
 U.S. Appl. No. 29/397,856, Quisenberry.  
 U.S. Appl. No. 29/400,194, Quisenberry.  
 U.S. Appl. No. 29/400,202, Quisenberry.  
 U.S. Appl. No. 29/400,212, Quisenberry.  
 Artakis, T., PCT International Preliminary Report on Patentability as mailed Jul. 29, 2005, (10 pgs.).  
 Tom Lee, T.Y. et al; "Compact Liquid Cooling System for Small, Moveable Electronic Equipment", IEEE Transactions on Components, Hybrids, and Manufacturing Technology, Oct. 15, 1992, vol. 15, No. 5, pp. 786-793.

Copenheaver, Blaine R., "International Search Report" for PCT/US2007/022148 as mailed Apr. 2, 2008, 2 pages.

Young, Lee W., "International Search Report" for PCT/US07/08807 as mailed Mar. 3, 2008, (3 pages).

Mahmoud Karimi Azar Daryany, et al., "Photoinactivation of *Escherichia coli* and *Saccharomyces cerevisiae* Suspended in Phosphate-Buffered Saline-A Using 266- and 355-nm Pulsed Ultraviolet Light", Curr Microbiol, vol. 56, 2008, pp. 423-428.

J. Li, et al., "Enhanced germicidal effects of pulsed UV-LED irradiation on biofilms", Journal of Applied Microbiology, 2010, pp. 1-8.

Cyro/Temp Therapy Systems; Product News Catalogue; Jobst Institute, Inc., 6 pages (Copyright 1982).

U.S. Appl. No. 29/402,115, Quisenberry.

Quisenberry, Tony, "U.S. Appl. No. 13/359,210," filed Jan. 26, 2012.

Copenheaver, Blaine R., "International Search Report" for PCT/US2012/035096 as mailed Aug. 7, 2012, 3 pages.

Quisenberry, Tony, "U.S. Appl. No. 13/558,615," filed Jul. 26, 2012.

Quisenberry, Tony, "U.S. Appl. No. 29/424,860," filed Jun. 15, 2012.

Quisenberry, Tony, "U.S. Appl. No. 13/456,410," filed Apr. 26, 2012.

\* cited by examiner

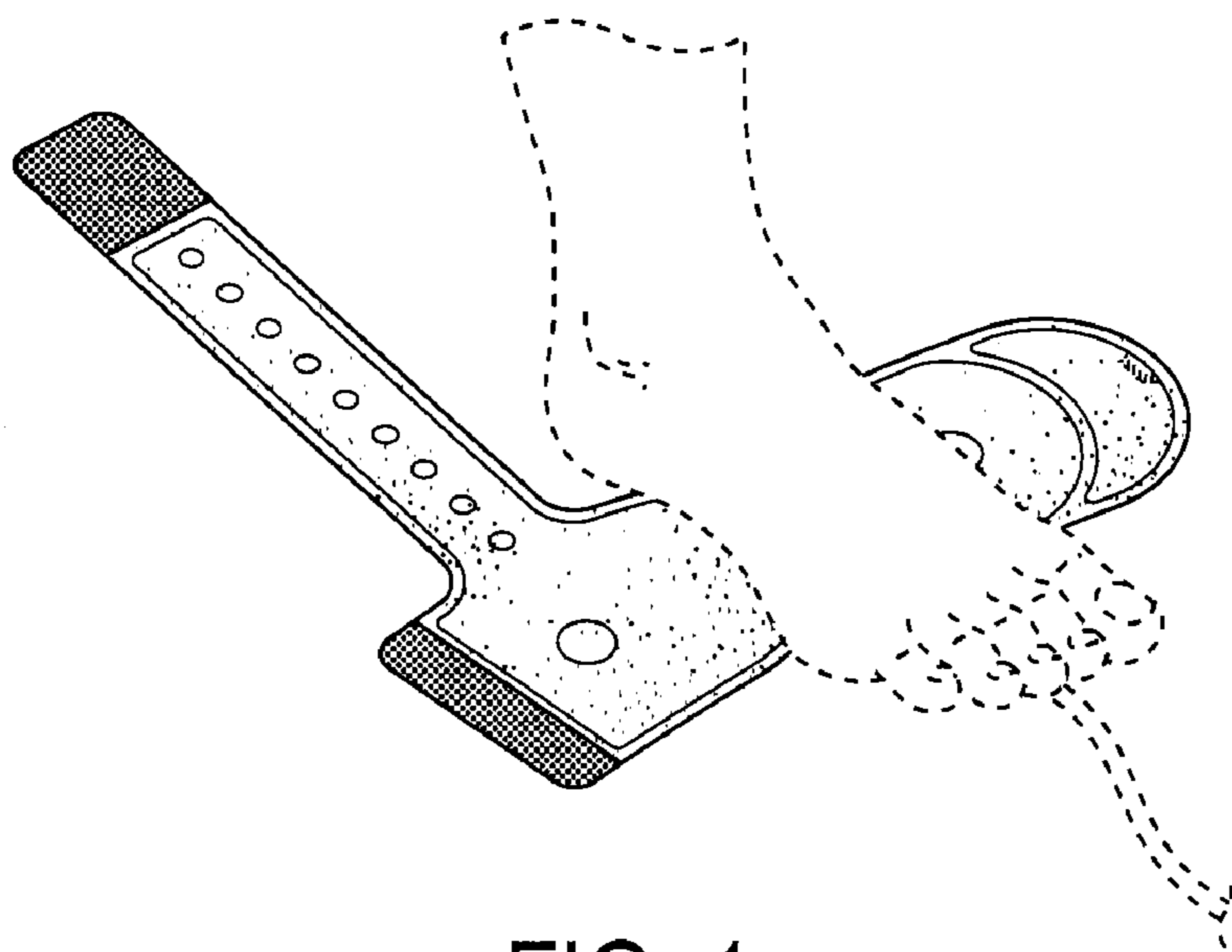


FIG. 1

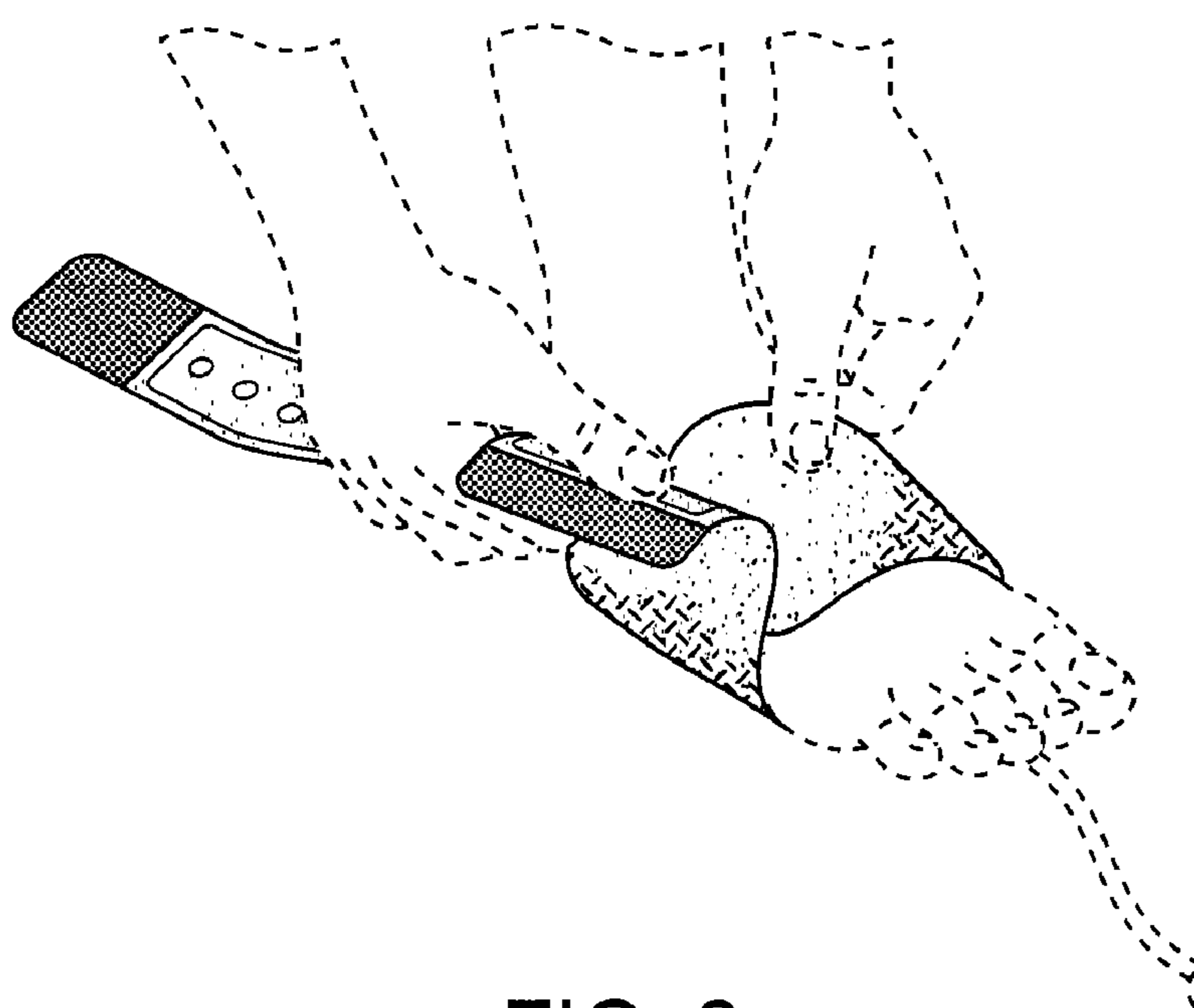


FIG. 2

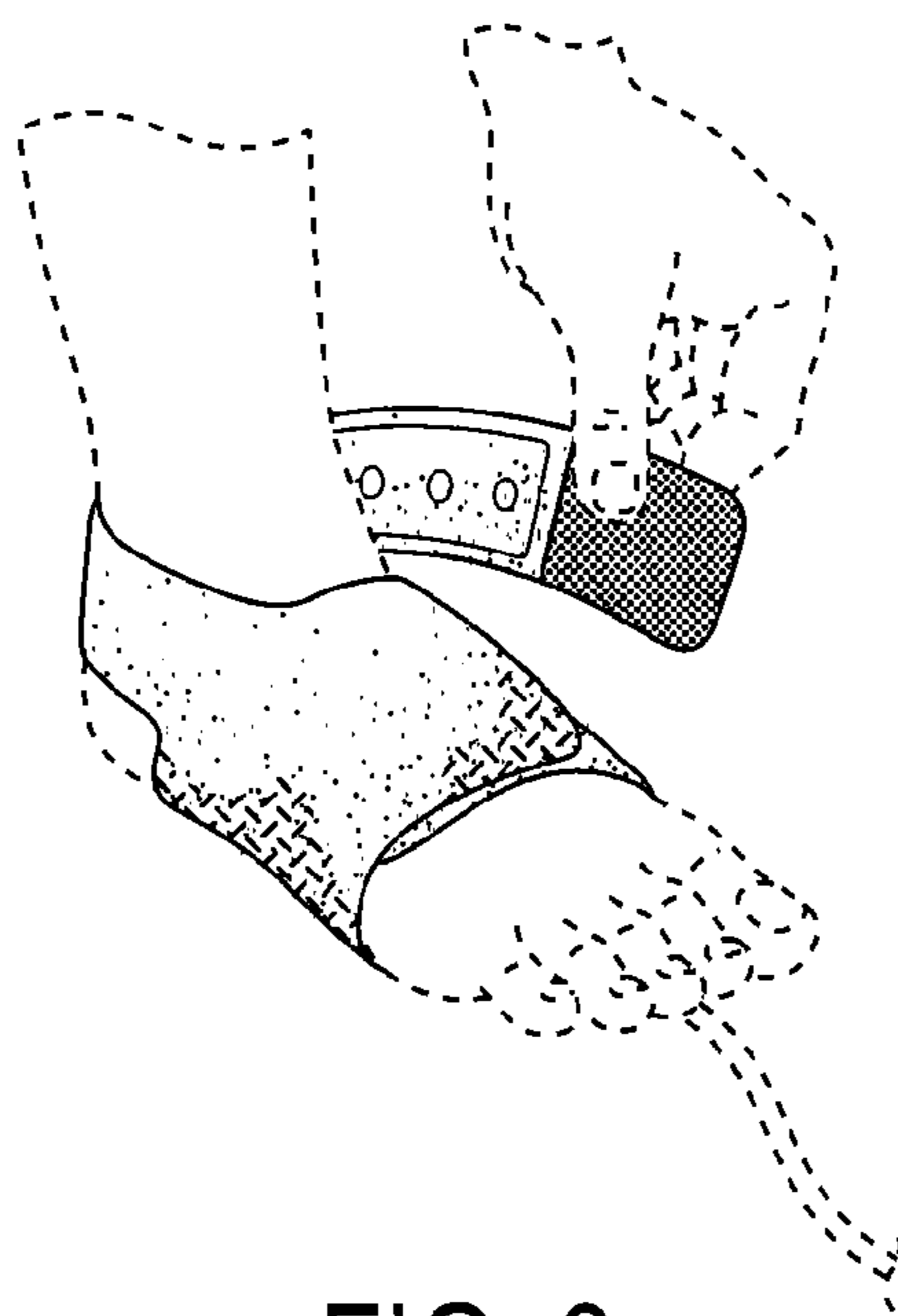


FIG. 3

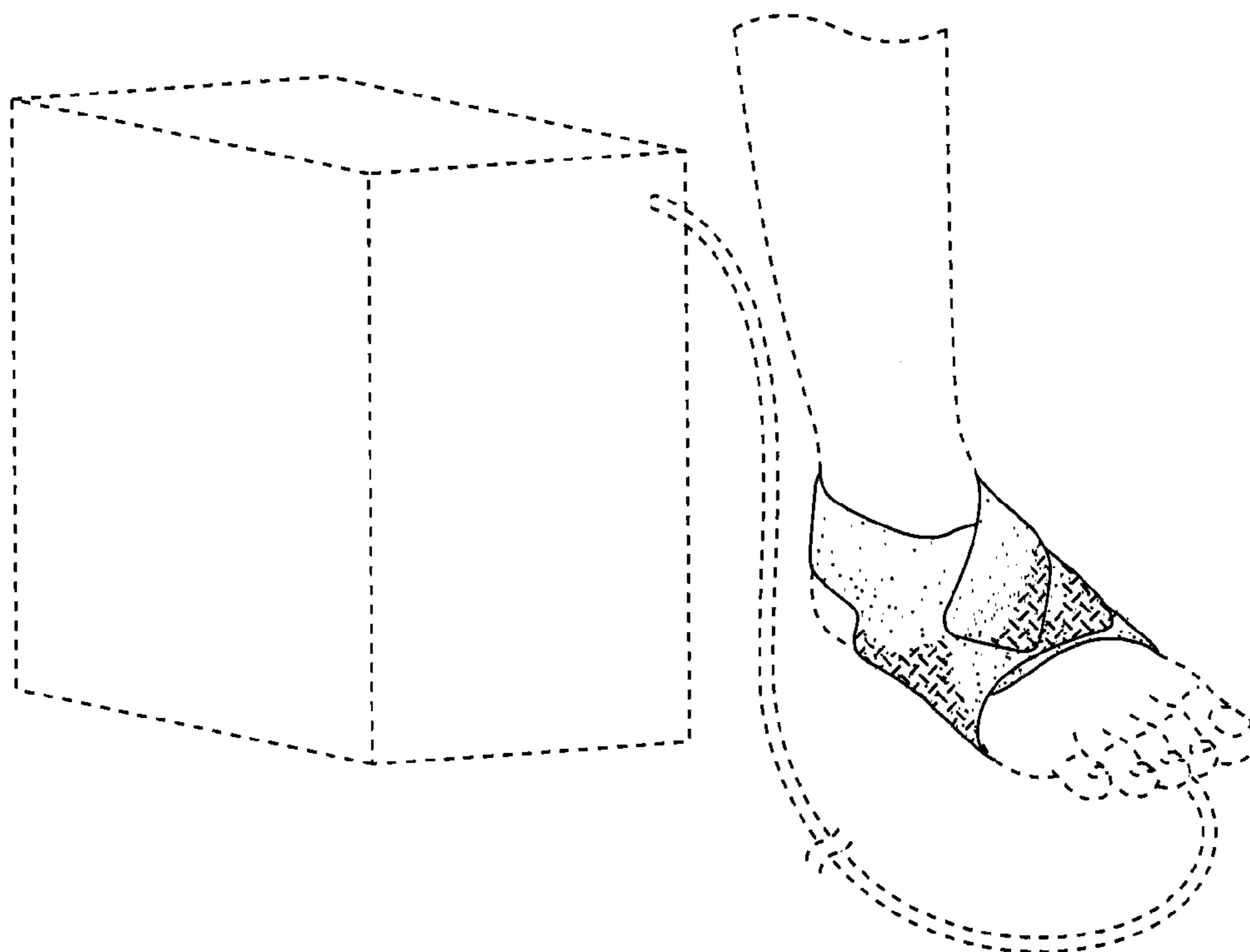


FIG. 4

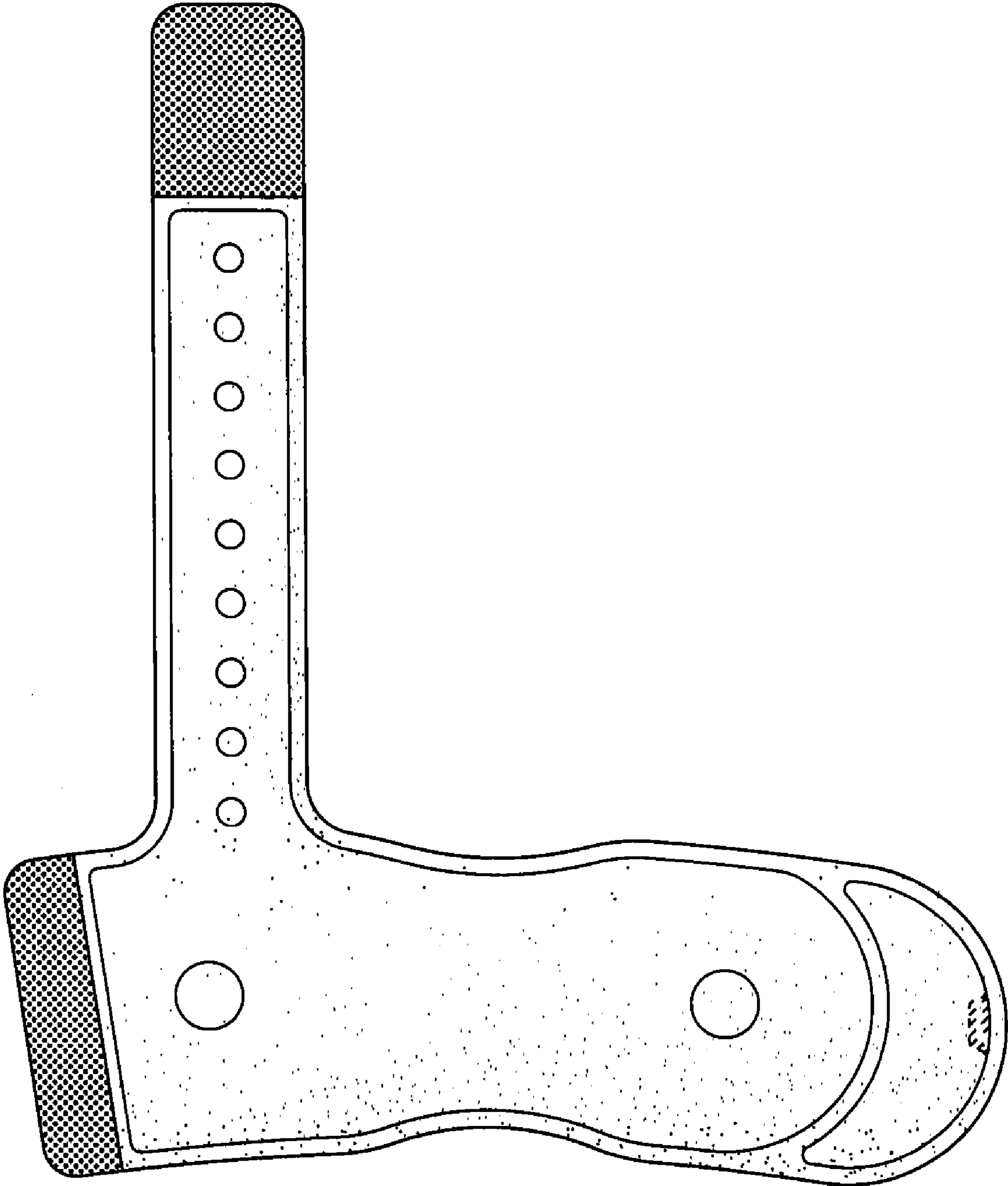


FIG. 5

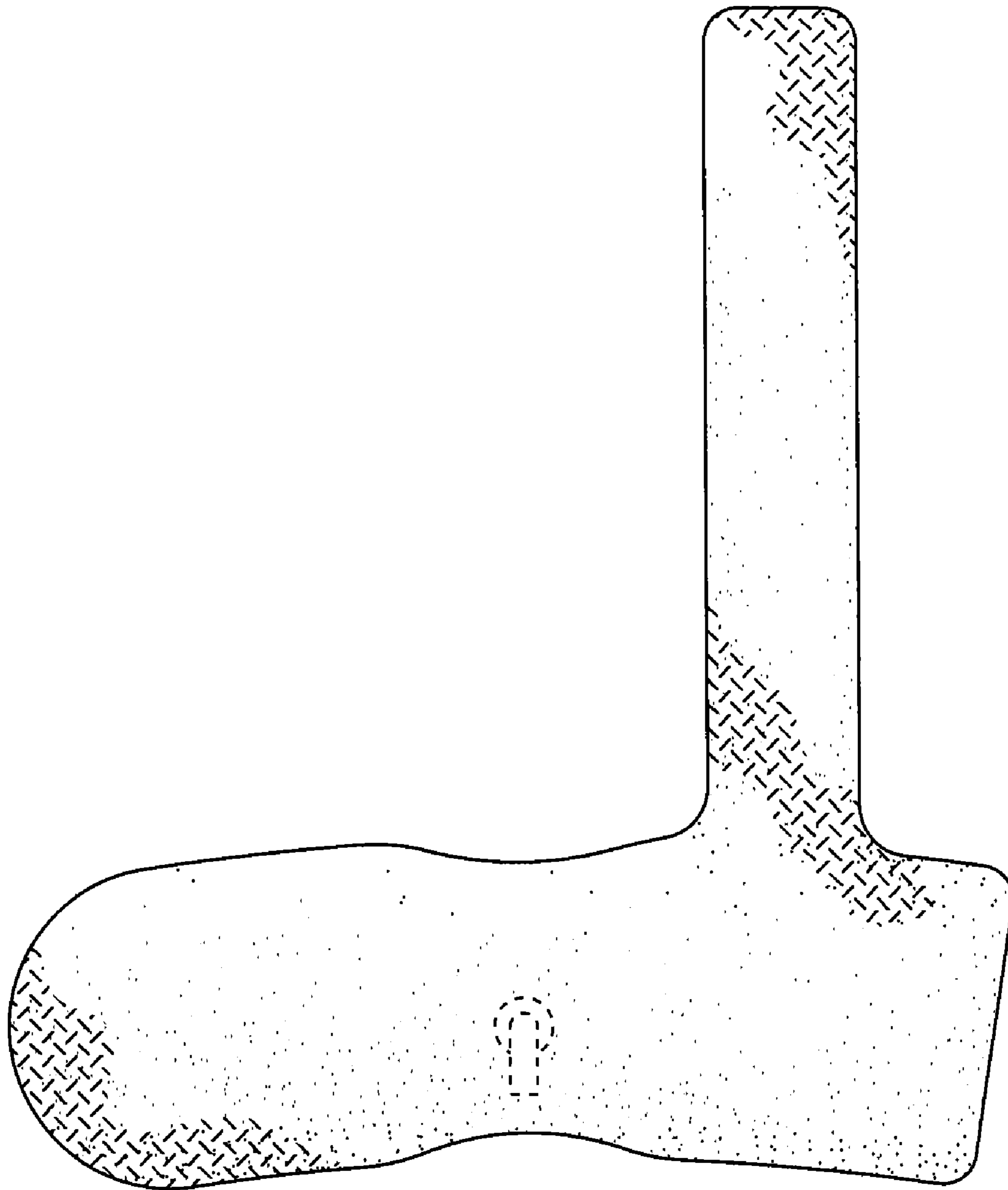


FIG. 6