



US00D679022S

(12) **United States Design Patent**
Feinberg

(10) **Patent No.:** **US D679,022 S**
(45) **Date of Patent:** **** Mar. 26, 2013**

(54) **PACIFIER**

(76) Inventor: **Jason Feinberg**, Brooklyn, NY (US)

(**) Term: **14 Years**

(21) Appl. No.: **29/412,472**

(22) Filed: **Feb. 3, 2012**

(51) **LOC (9) Cl.** **24-04**

(52) **U.S. Cl.** **D24/194; D24/195**

(58) **Field of Classification Search** D24/115,
D24/117, 193-196, 199, 200, 211, 214;
606/234-236; 215/11.1-11.6; D30/160;
604/77; 119/707, 710, 711; 24/3.1, 3.4,
24/3.13, 301

See application file for complete search history.

(56) **References Cited**

U.S. PATENT DOCUMENTS

D269,461	S	*	6/1983	Qally	D24/195
D271,052	S	*	10/1983	Qally	D24/195
D331,628	S	*	12/1992	Dodson et al.	D24/195
D337,641	S	*	7/1993	Luckey	D24/195
D338,274	S	*	8/1993	Chuang	D24/194
5,318,590	A	*	6/1994	Brennan et al.	606/234
D415,568	S	*	10/1999	Bernd	D24/195
D421,804	S	*	3/2000	Gill	D24/195
D470,943	S	*	2/2003	Adams	D24/195

OTHER PUBLICATIONS

DIY Baby Mustache Pacifier; <http://thepaperseen.com/?p=6586>,
Published Aug. 28, 2011. Enclosed. 3 pages.*

The Etsy Blog; <http://www.etsy.com/blog/en/page/5/?s=mustache&submit=Search>, Published May 27, 2008. Enclosed. 1 page.*
Likecool.com, Mustache Pacifier; http://www.likecool.com/Mustache_Pacifier--Gear.html, Published Aug. 1, 2011. Enclosed. 2 pages.*

* cited by examiner

Primary Examiner — Susan E Krakower

(74) *Attorney, Agent, or Firm* — Andrew S. Langsam; Pryor Cashman LLP

(57) **CLAIM**

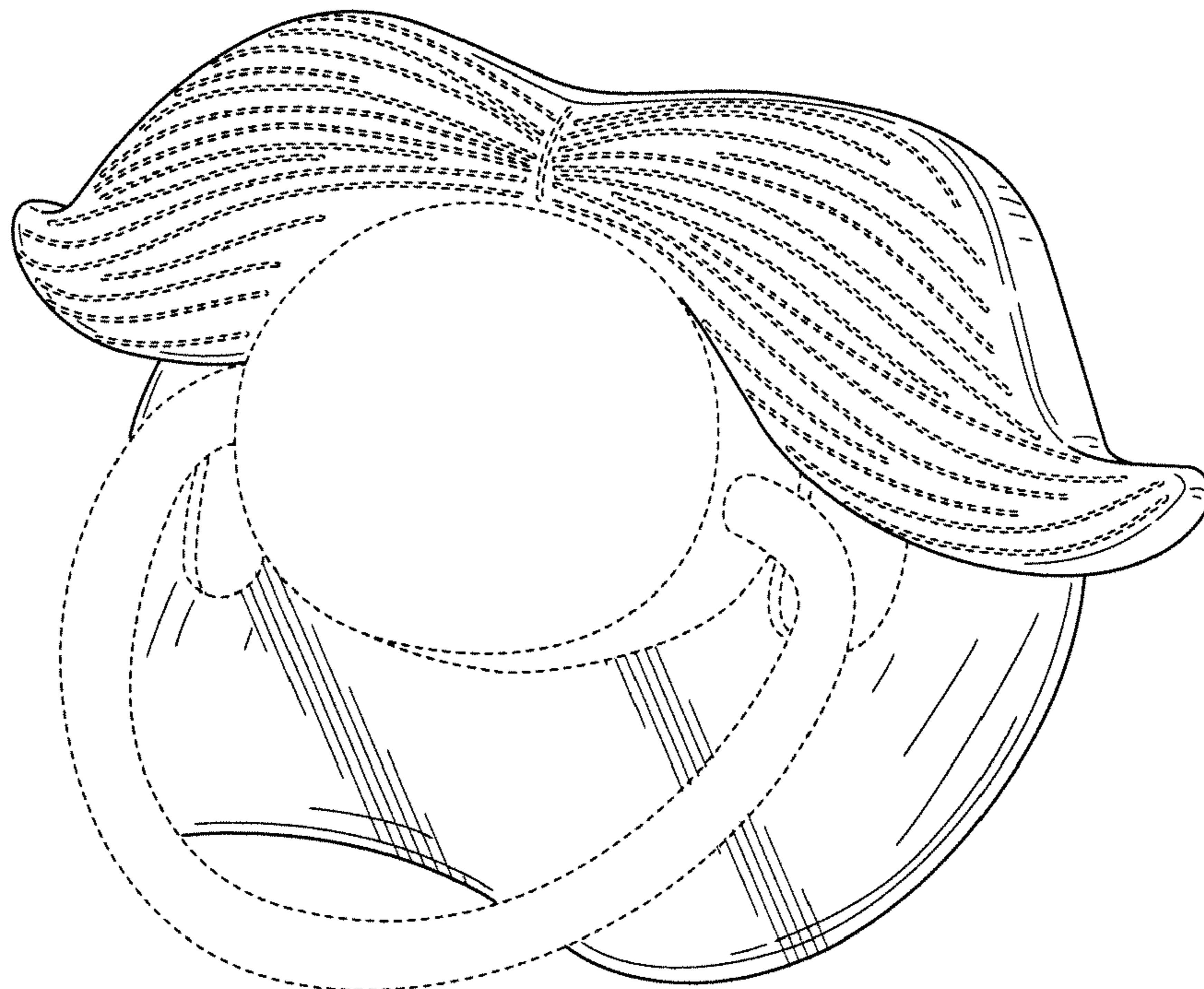
The ornamental design for a pacifier, as shown and described.

DESCRIPTION

FIG. 1 is a perspective view of the present invention, a pacifier;
FIG. 2 is front elevational view of the present invention showing the pacifier;
FIG. 3 is a right side elevational view of the present invention showing the pacifier;
FIG. 4 is a left side elevational view of the present invention showing the pacifier;
FIG. 5 is a rear elevational view of the present invention showing the pacifier;
FIG. 6 is a bottom view of the present invention showing the pacifier; and,
FIG. 7 is a top view of the present invention showing the pacifier.

The broken lines illustrate environmental structure which forms no part of the claimed design.

1 Claim, 4 Drawing Sheets



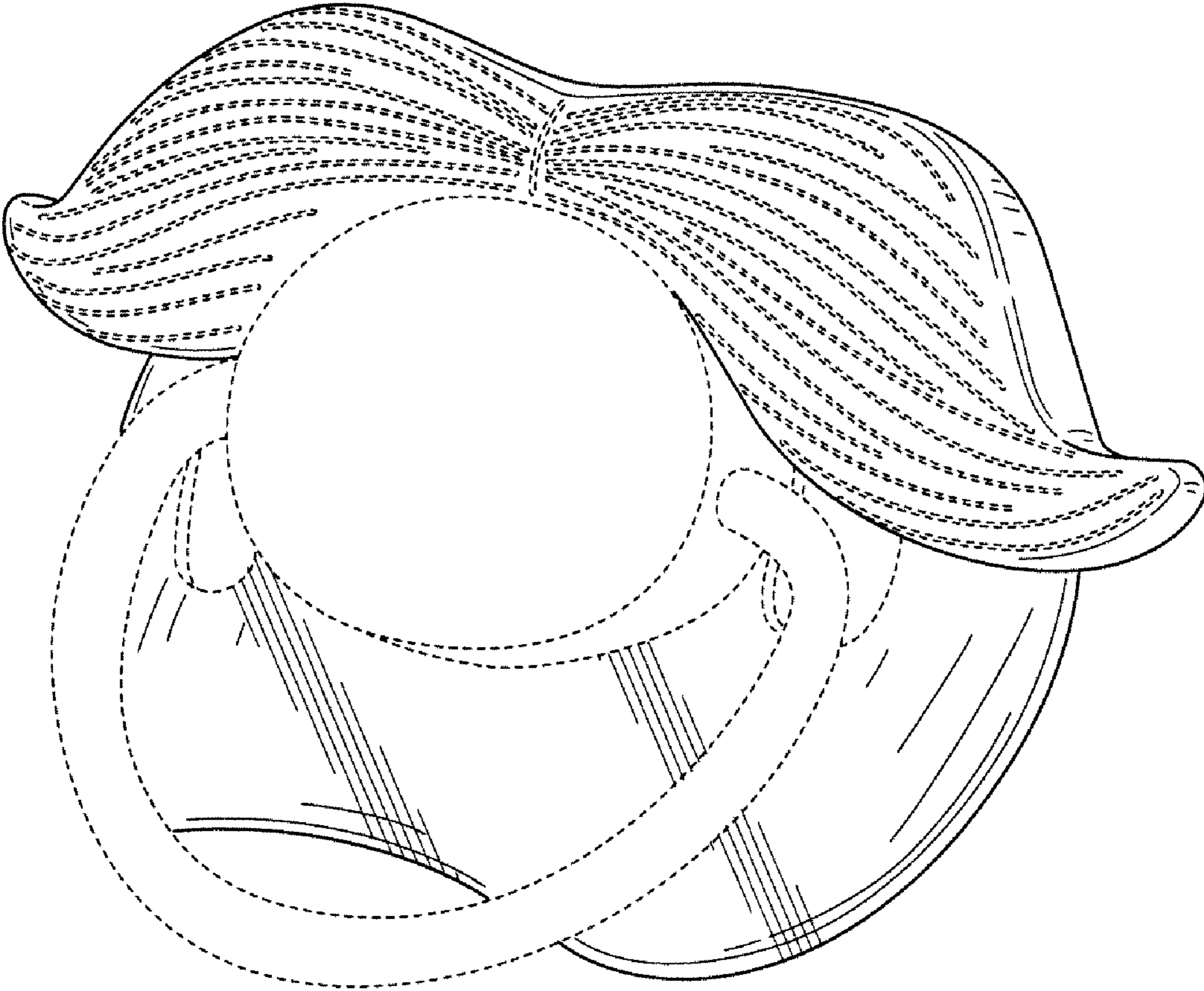


FIG. 1

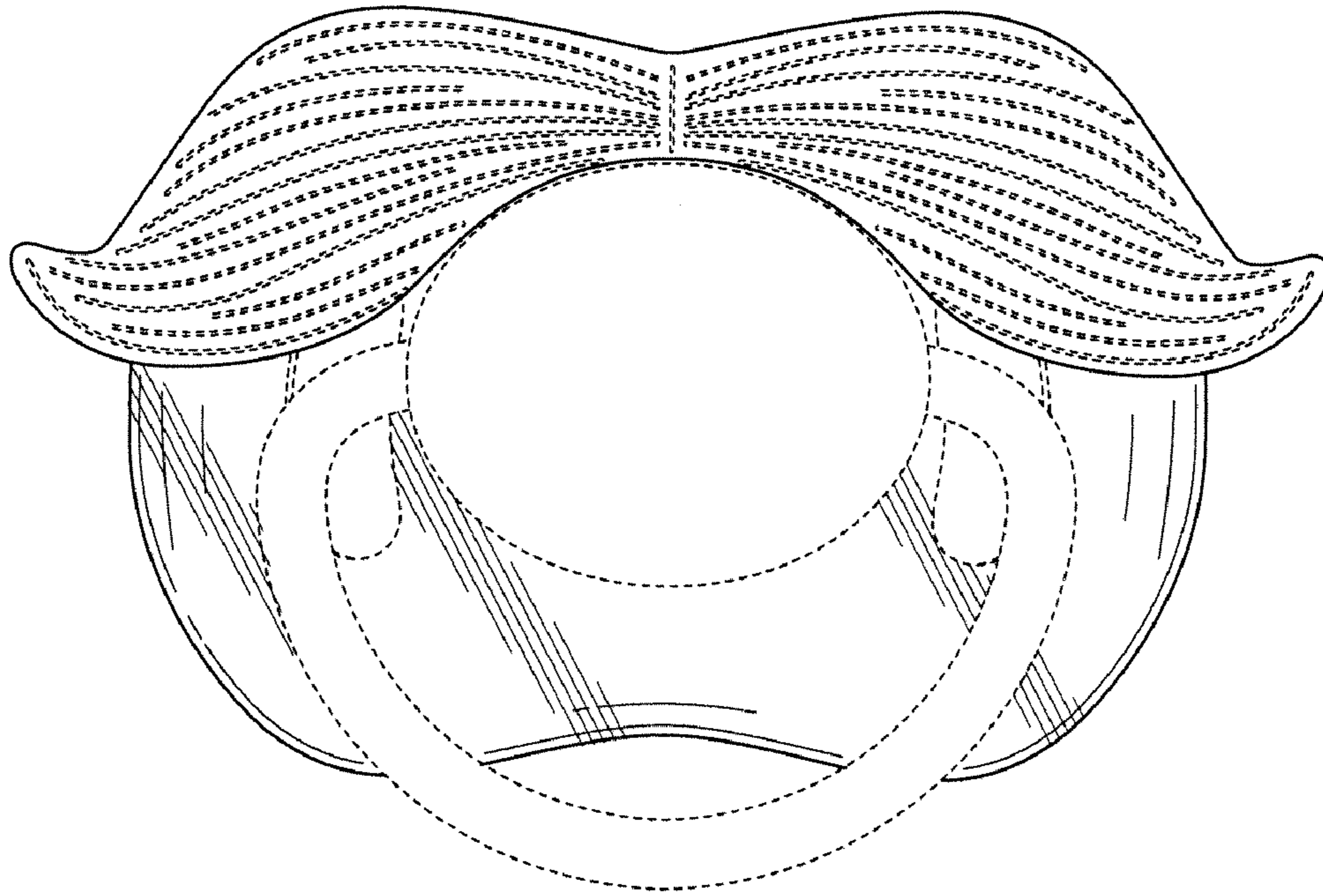


FIG. 2

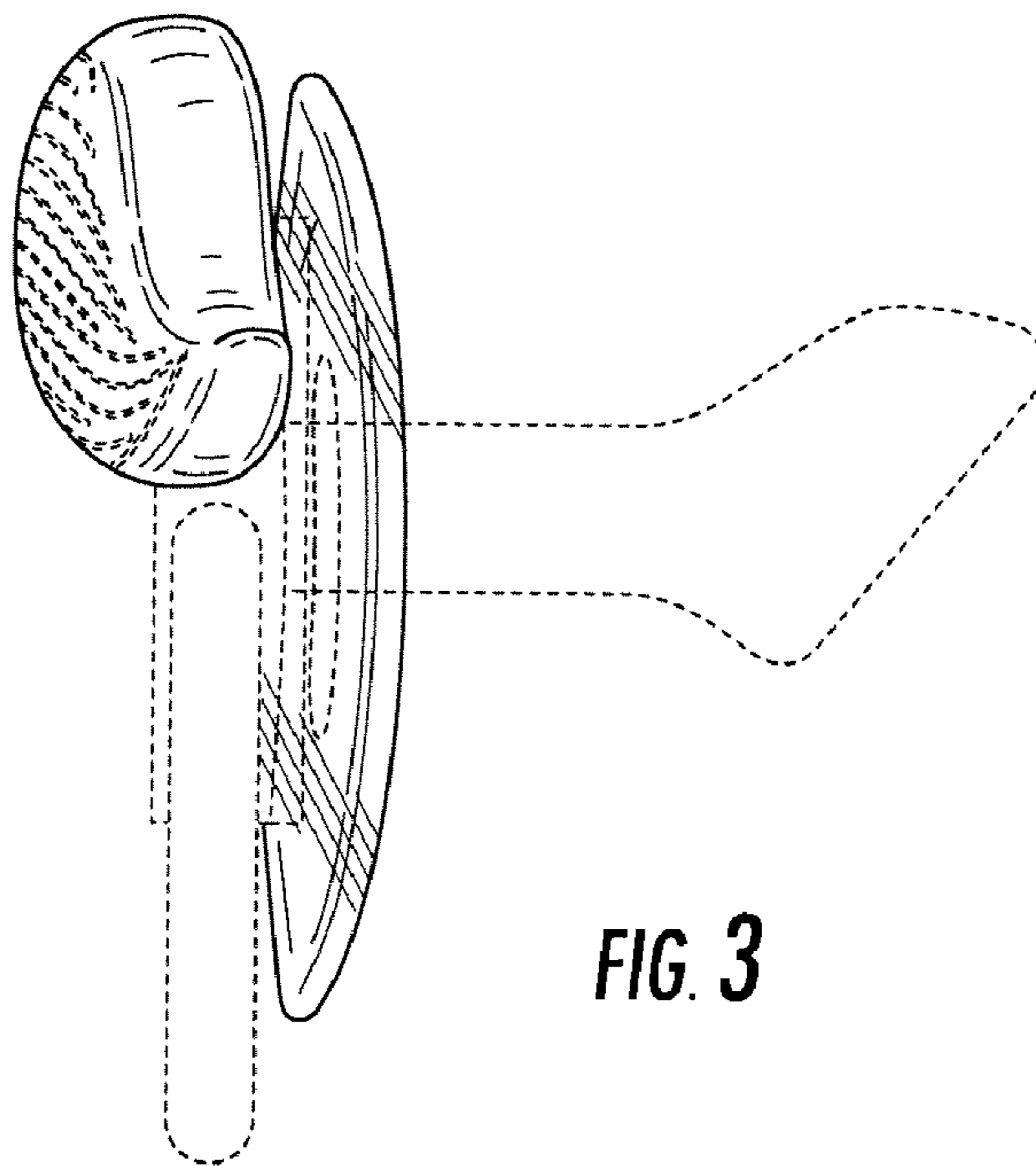


FIG. 3

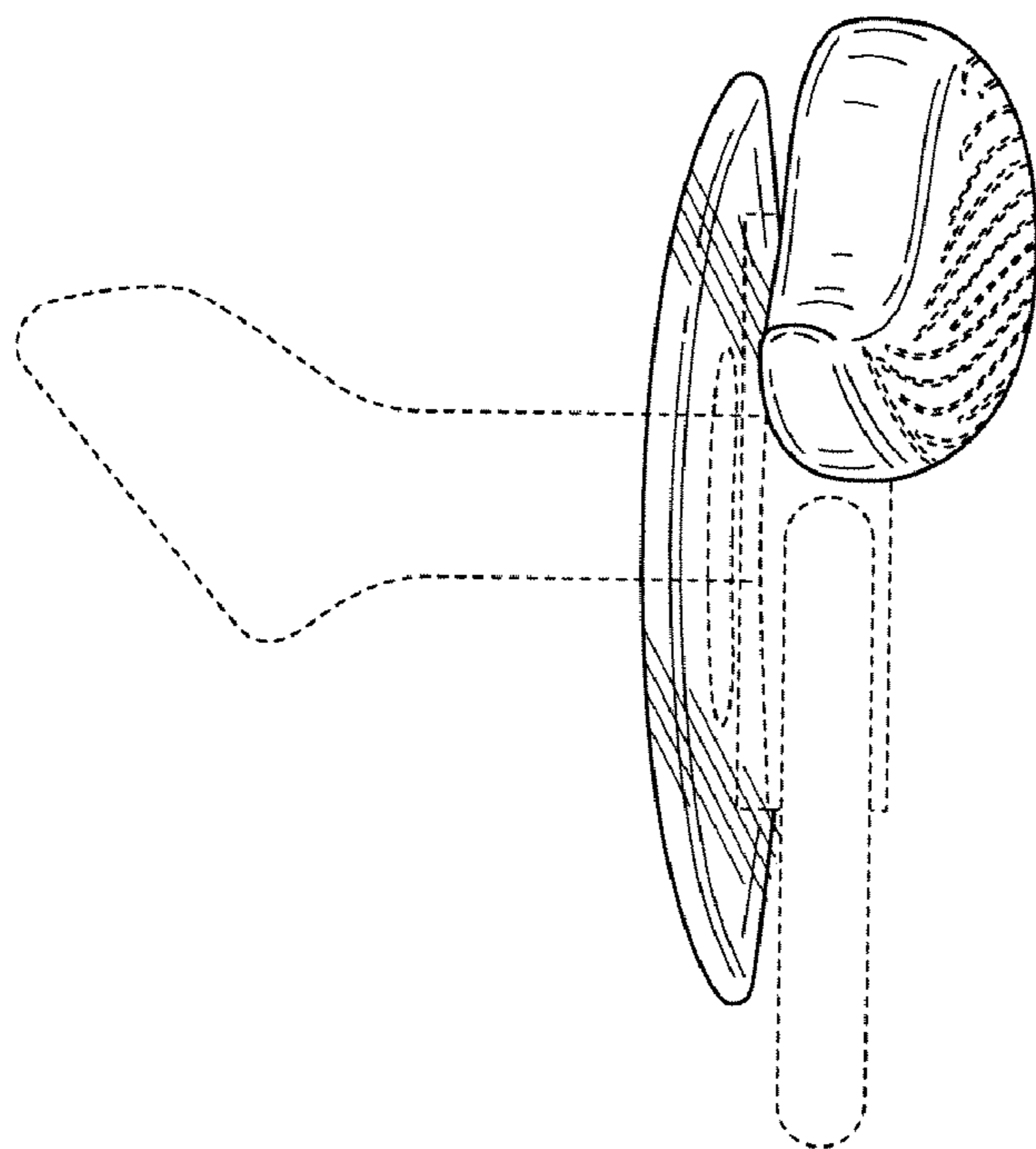


FIG. 4

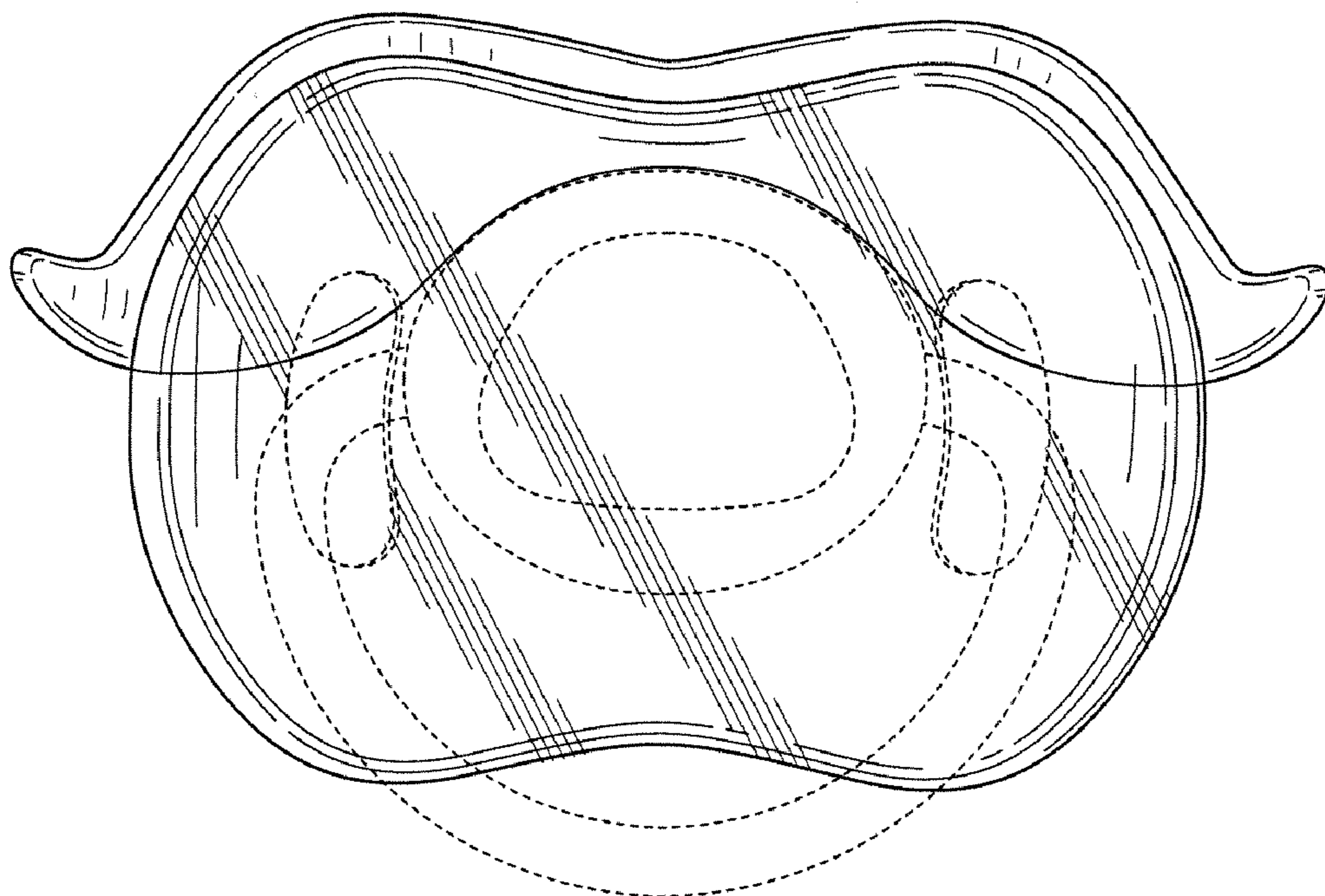


FIG. 5

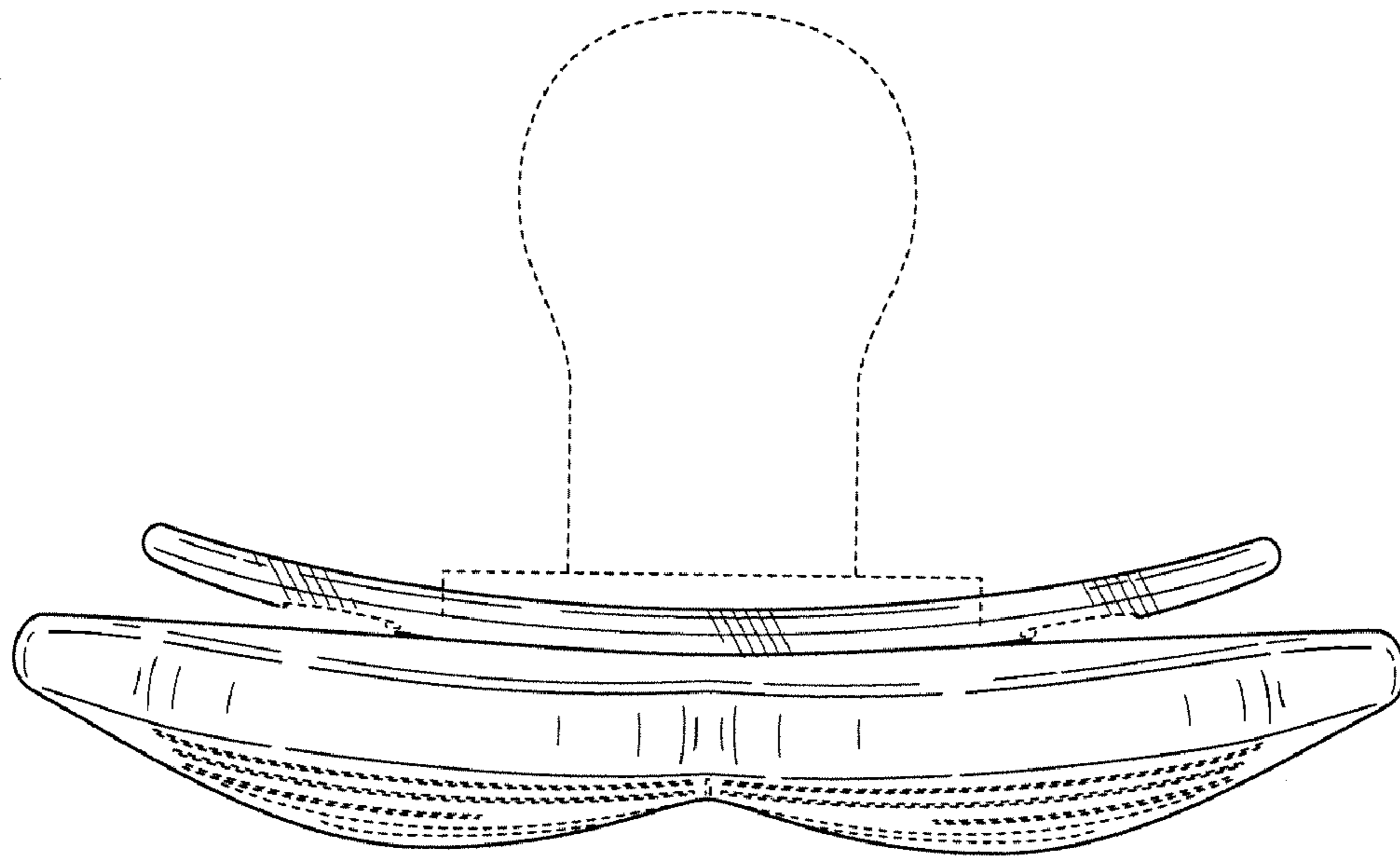


FIG. 6

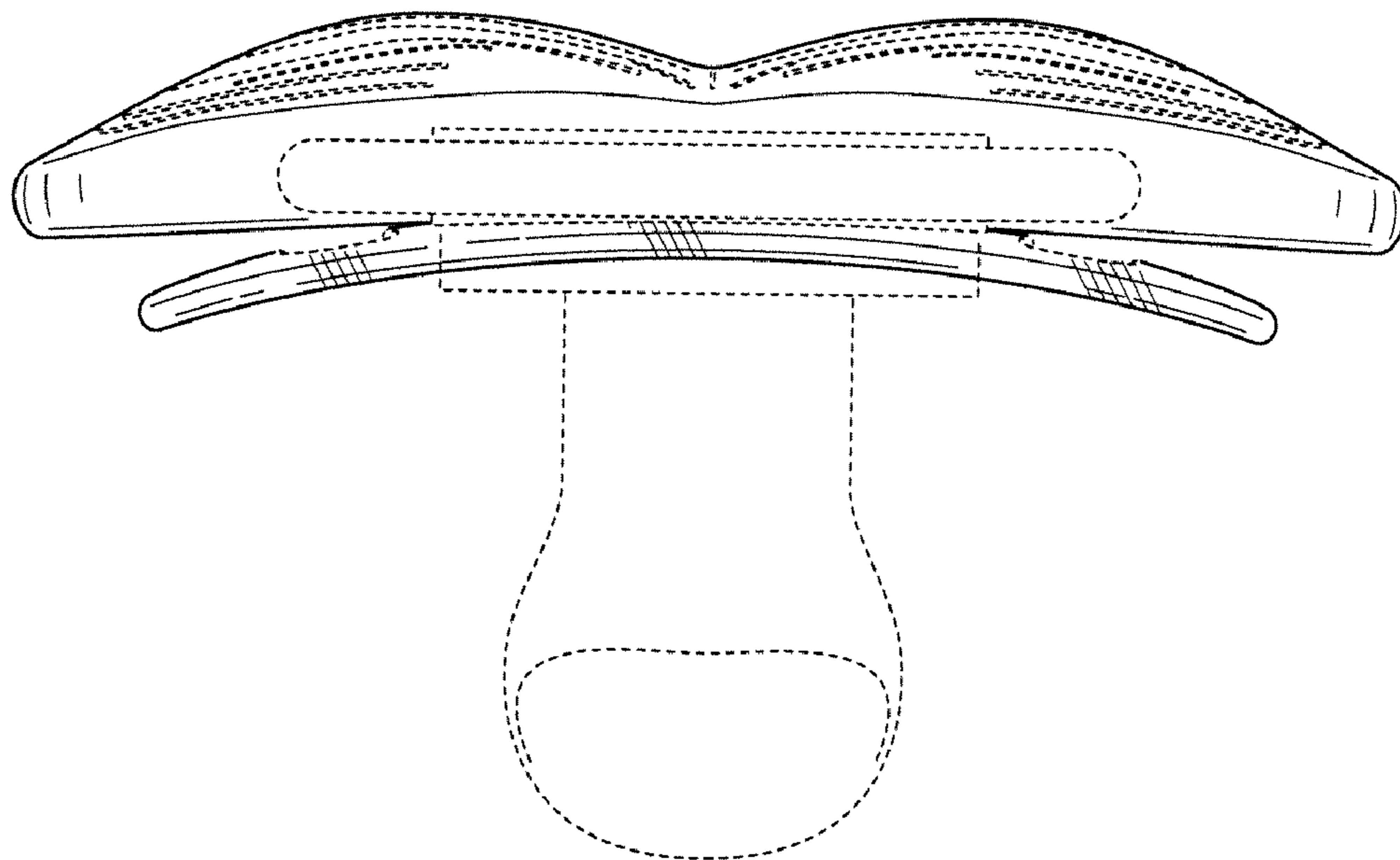


FIG. 7