



US00D679020S

(12) **United States Design Patent**
Cuschieri et al.

(10) **Patent No.:** **US D679,020 S**

(45) **Date of Patent:** **** Mar. 26, 2013**

(54) **SURGICAL ARMREST**

(75) Inventors: **Alfred Cuschieri**, Fife (GB); **Timothy Graham Frank**, Fife (GB); **Leslie B. Kelly**, Fife (GB); **Jochen Stefan, Wald** (DE)

(73) Assignee: **Karl Storz GmbH & Co. KG**, Tuttlingen (DE)

(**) Term: **14 Years**

(21) Appl. No.: **29/425,588**

(22) Filed: **Jun. 25, 2012**

(30) **Foreign Application Priority Data**

Dec. 23, 2011 (EM) 001968330-0005

(51) **LOC (9) Cl.** **24-01**

(52) **U.S. Cl.** **D24/184**

(58) **Field of Classification Search** D24/183-184, D24/200, 127, 171, 185, 158; D6/501-502, D6/335, 367, 340; 128/845-846, 869, 849; 5/636-640, 644, 622-623; 602/16; 180/214, 180/253; 297/313, 411.38, 118, 467, 344.2; D12/119; 248/168

See application file for complete search history.

(56) **References Cited**

U.S. PATENT DOCUMENTS

3,894,601	A *	7/1975	Gestring	297/344.2
4,018,217	A *	4/1977	Evans	128/849
D264,875	S *	6/1982	Crocker	D24/183
D314,106	S *	1/1991	Szadkowski	D6/501
D375,163	S *	10/1996	Lipson et al.	D24/183
D497,430	S *	10/2004	Tinsley	D24/184
D585,676	S *	2/2009	Zhang	D6/501

D603,967	S *	11/2009	Berry et al.	D24/184
D606,345	S *	12/2009	Tsai	D6/501
D627,268	S *	11/2010	Freer et al.	D12/119
7,934,687	B2 *	5/2011	Crook et al.	248/168
D647,207	S *	10/2011	Buck	D24/185
D652,356	S *	1/2012	Lindloff	D12/119
D659,250	S *	5/2012	Cottrell	D24/183
8,234,731	B2 *	8/2012	Skripps	5/622
2004/0123389	A1 *	7/2004	Boucher et al.	5/623
2007/0170767	A1 *	7/2007	Oberlaender et al.	...	297/411.38

* cited by examiner

Primary Examiner — T. Chase Nelson

Assistant Examiner — Mark Cavanna

(74) *Attorney, Agent, or Firm* — Muncy, Geissler, Olds & Lowe, PLLC

(57) **CLAIM**

The ornamental design for a surgical armrest, as shown and described.

DESCRIPTION

FIG. 1 is a left side elevational view of a surgical armrest according to the invention, the right side elevational view being a mirror image thereto.

FIG. 2 is a front elevational view of the surgical armrest of FIG. 1.

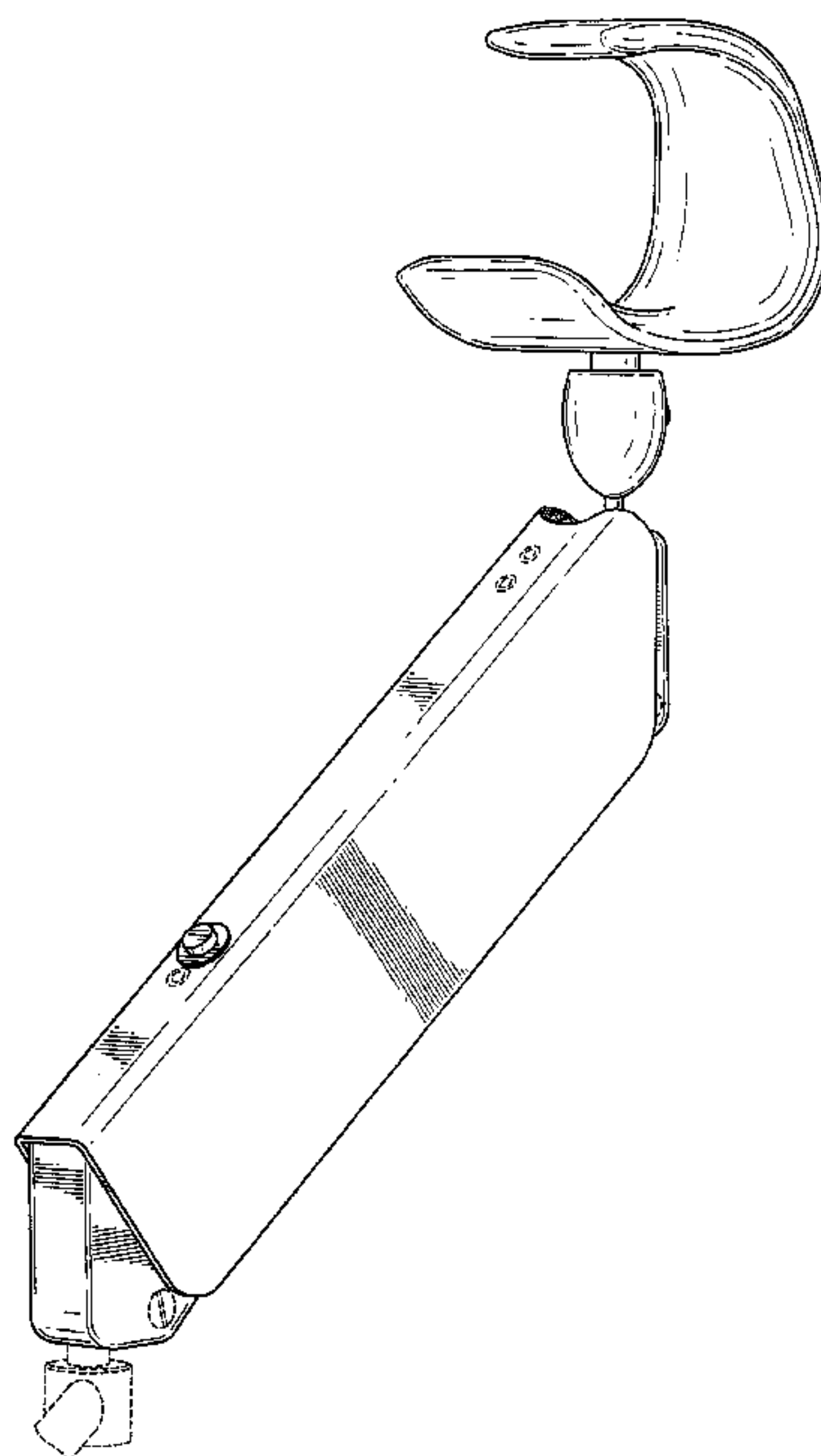
FIG. 3 is a rear elevational view of the surgical armrest of FIG. 1.

FIG. 4 is a top plan view of the surgical armrest of FIG. 1.

FIG. 5 is a bottom plan view of the surgical armrest of FIG. 1; and,

FIG. 6 is a perspective view of the surgical armrest of FIG. 1. The broken lines in the drawings are for purposes of illustrating portions of the surgical armrest, as well as environmental structure, which form no part of the claimed design.

1 Claim, 4 Drawing Sheets



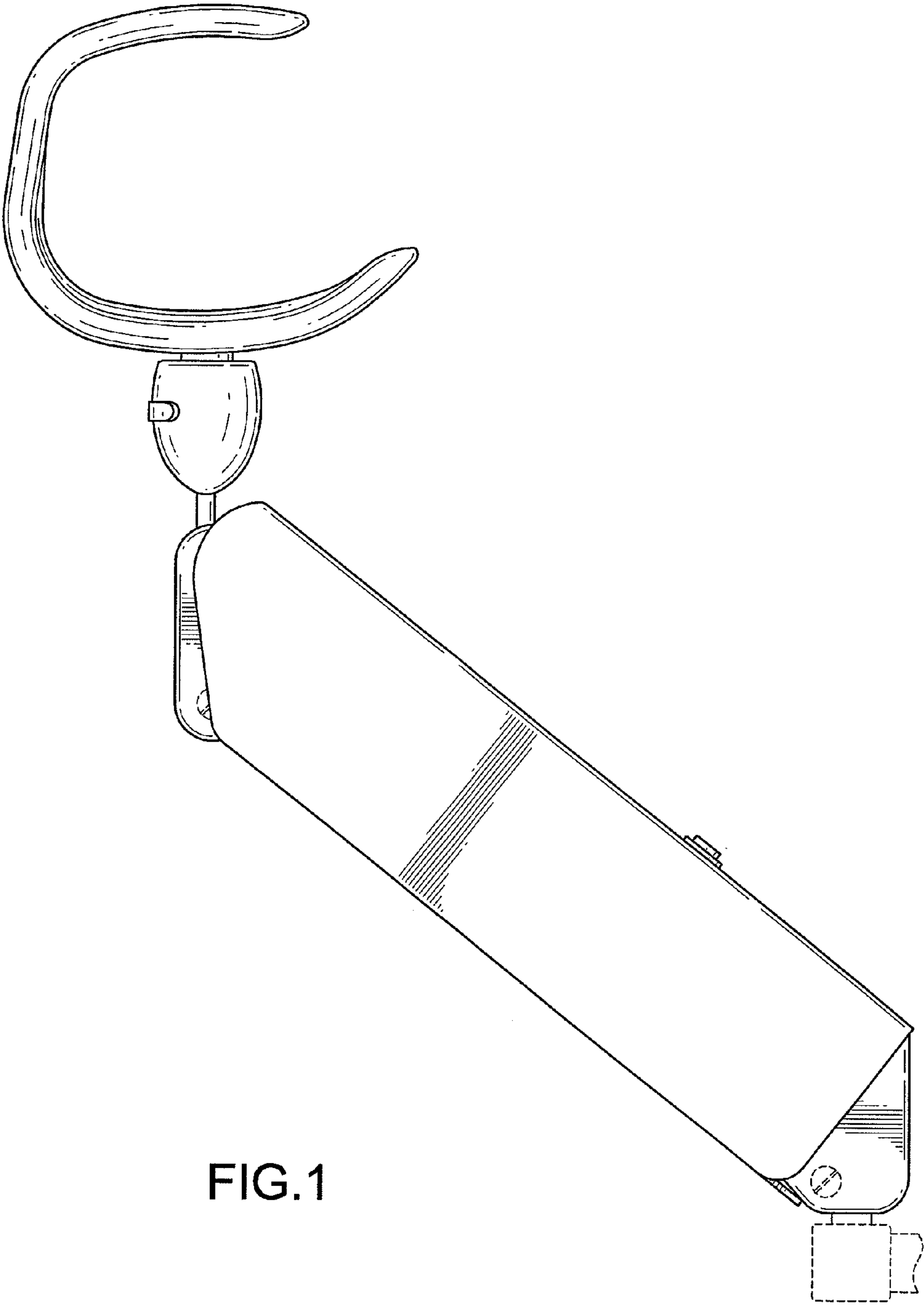


FIG. 1

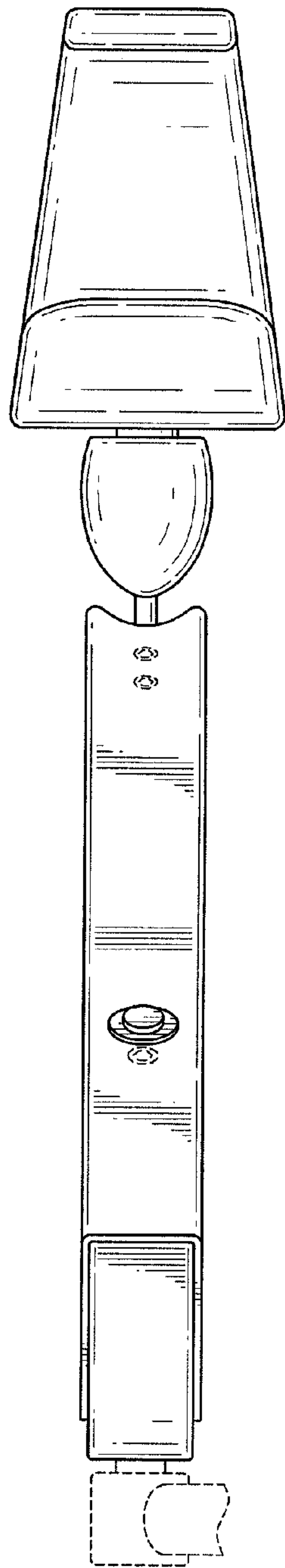


FIG. 2

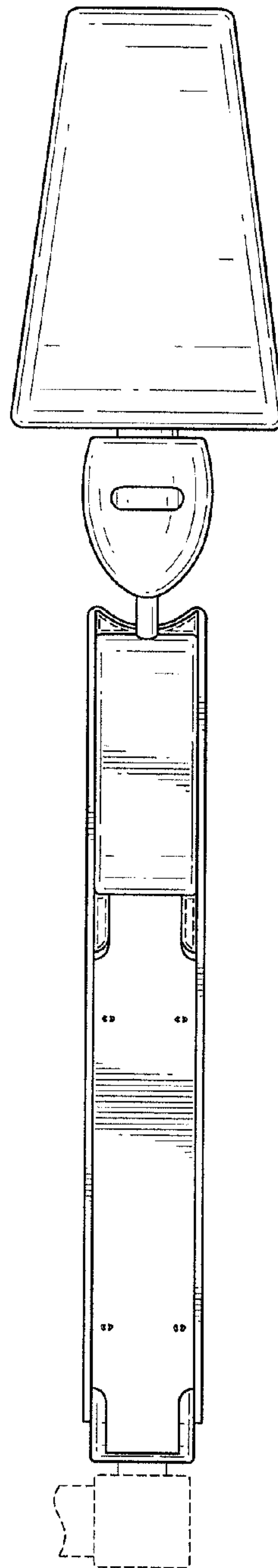


FIG. 3

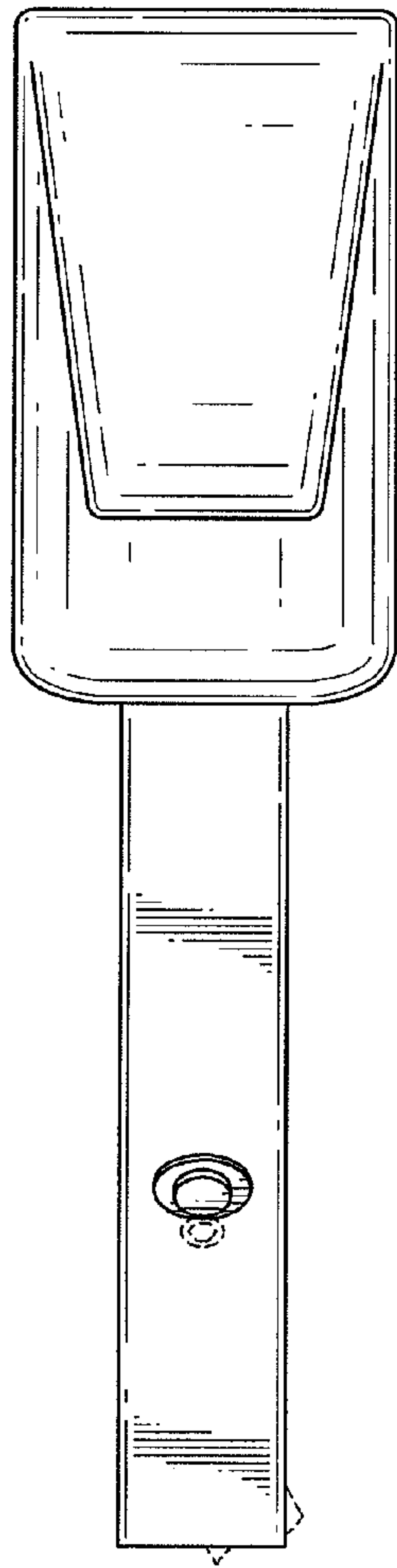


FIG. 4

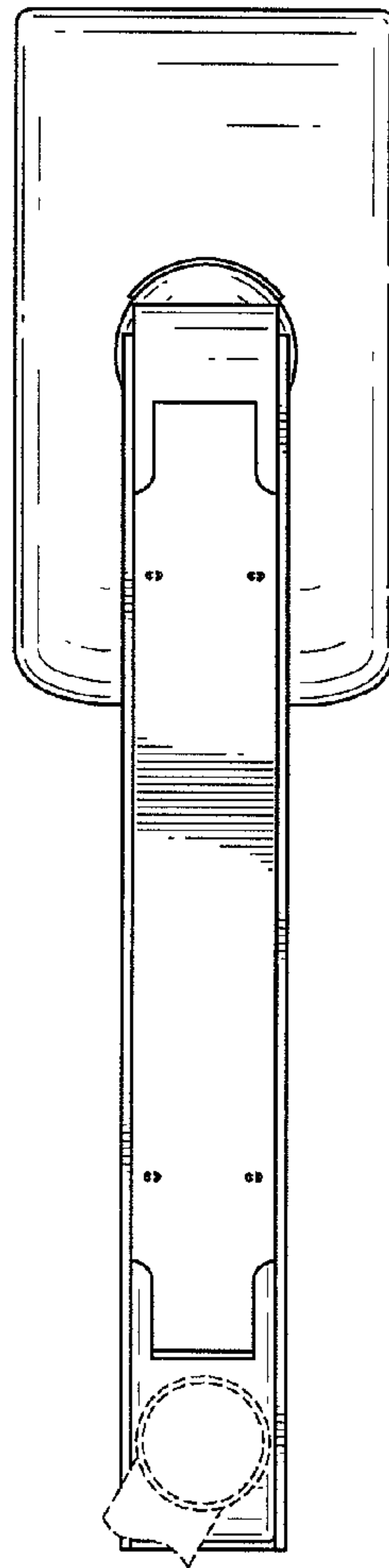


FIG. 5

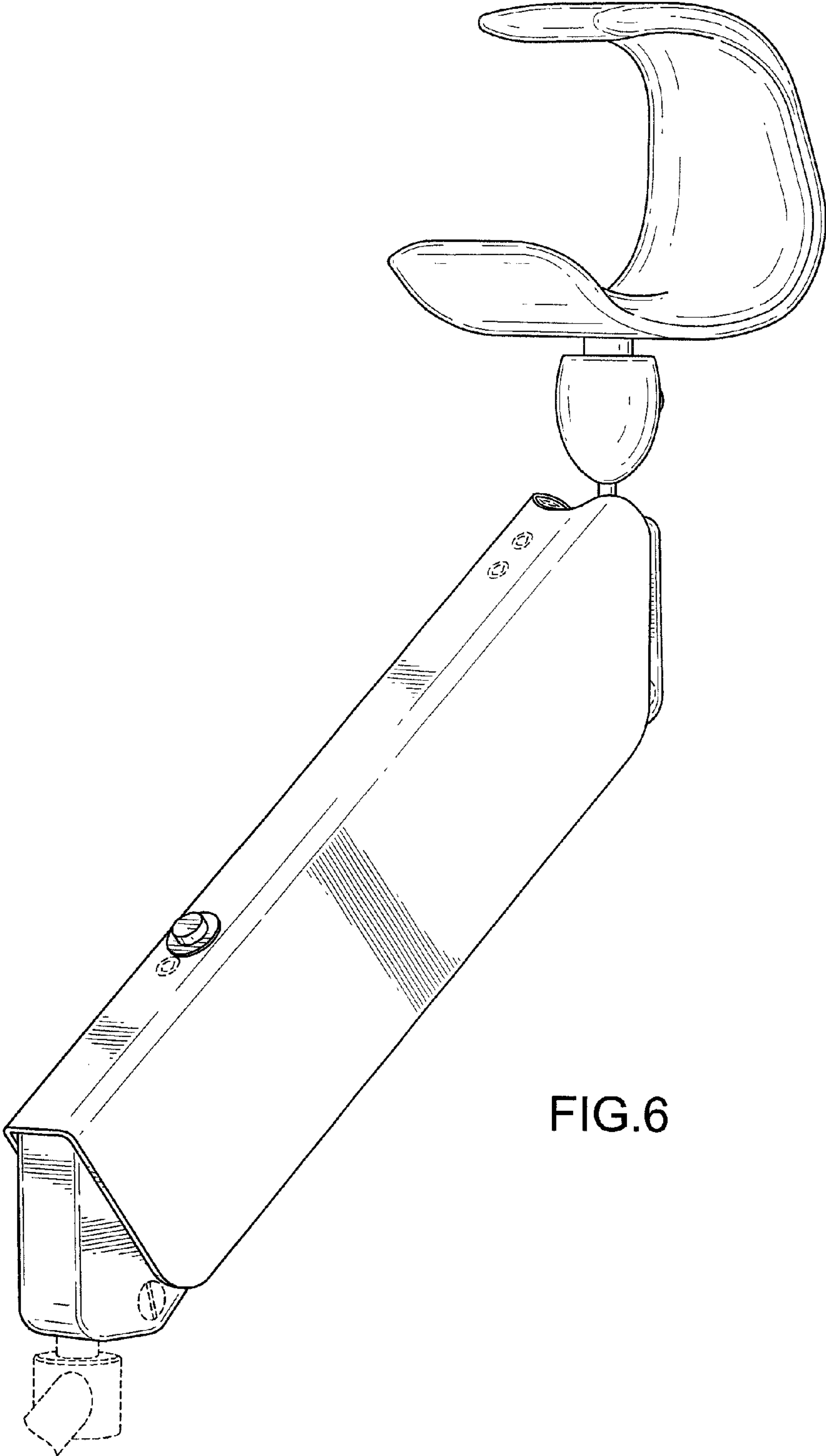


FIG. 6