



US00D679019S

(12) **United States Design Patent**  
**Siddle et al.**

(10) **Patent No.:** **US D679,019 S**  
(45) **Date of Patent:** **\*\* Mar. 26, 2013**

(54) **OPERATOR FOR A TOURNIQUET**  
(75) Inventors: **Bruce K. Siddle**, Millstadt, IL (US);  
**Steven D. Stahle**, St. Louis, MO (US)  
(73) Assignee: **Human Factor Research Group, Inc.**,  
Millstadt, IL (US)

(\*\*) Term: **14 Years**

(21) Appl. No.: **29/397,254**

(22) Filed: **Jul. 13, 2011**

(51) **LOC (9) Cl.** ..... **24-01**

(52) **U.S. Cl.** ..... **D24/169**

(58) **Field of Classification Search** ..... D24/186,  
D24/143, 169; 606/201, 203, 202  
See application file for complete search history.

(56) **References Cited**

**U.S. PATENT DOCUMENTS**

2007/0060948 A1\* 3/2007 Franz et al. .... 606/201

\* cited by examiner

*Primary Examiner* — T. Chase Nelson  
*Assistant Examiner* — Ania Aman  
(74) *Attorney, Agent, or Firm* — Thompson Coburn LLP

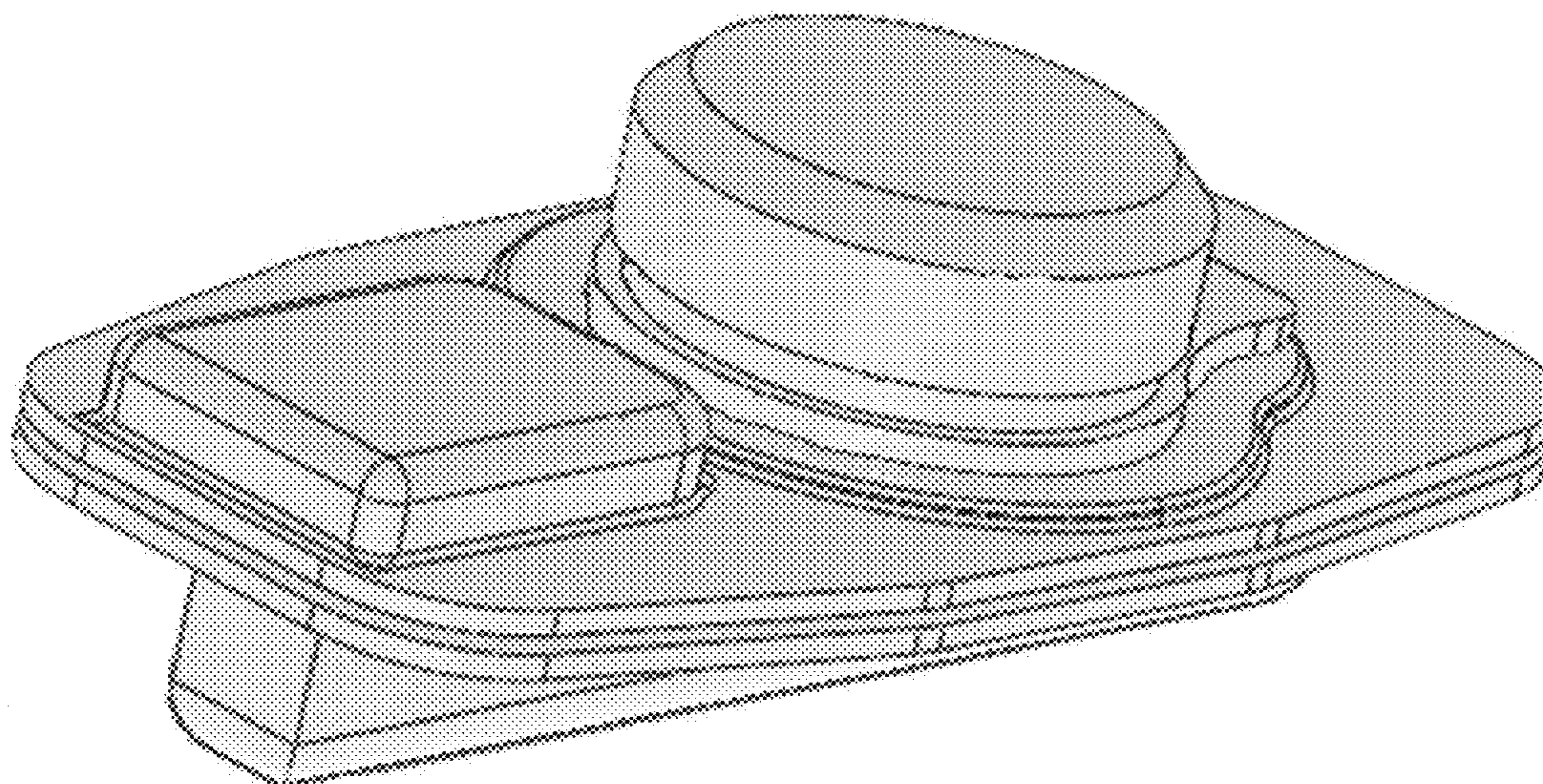
(57) **CLAIM**

The ornamental design for an operator for a tourniquet, as shown and described.

**DESCRIPTION**

FIG. 1 is a top perspective view of an operator for a tourniquet showing our new design;  
FIG. 2 is a bottom perspective view of the operator of FIG. 1;  
FIG. 3 is a side view of the operator of FIG. 1;  
FIG. 4 is a side view of the operator of FIG. 1 opposite the view of FIG. 3;  
FIG. 5 is a top view of the operator of FIG. 1;  
FIG. 6 is a bottom view of the operator of FIG. 1;  
FIG. 7 is a rear view of an operator of FIG. 1; and,  
FIG. 8 is a front view of the operator of FIG. 1.

**1 Claim, 4 Drawing Sheets**





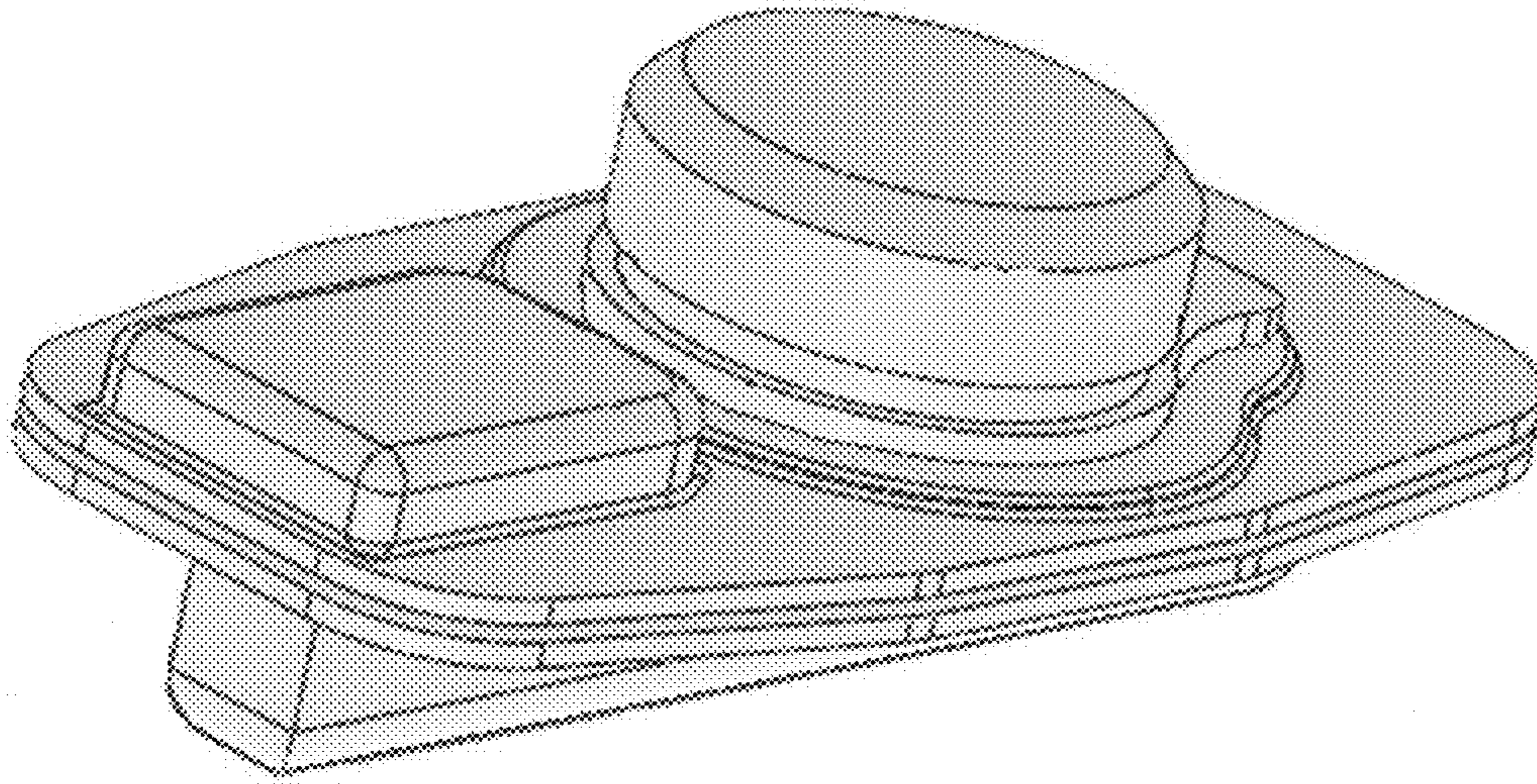


Figure 1

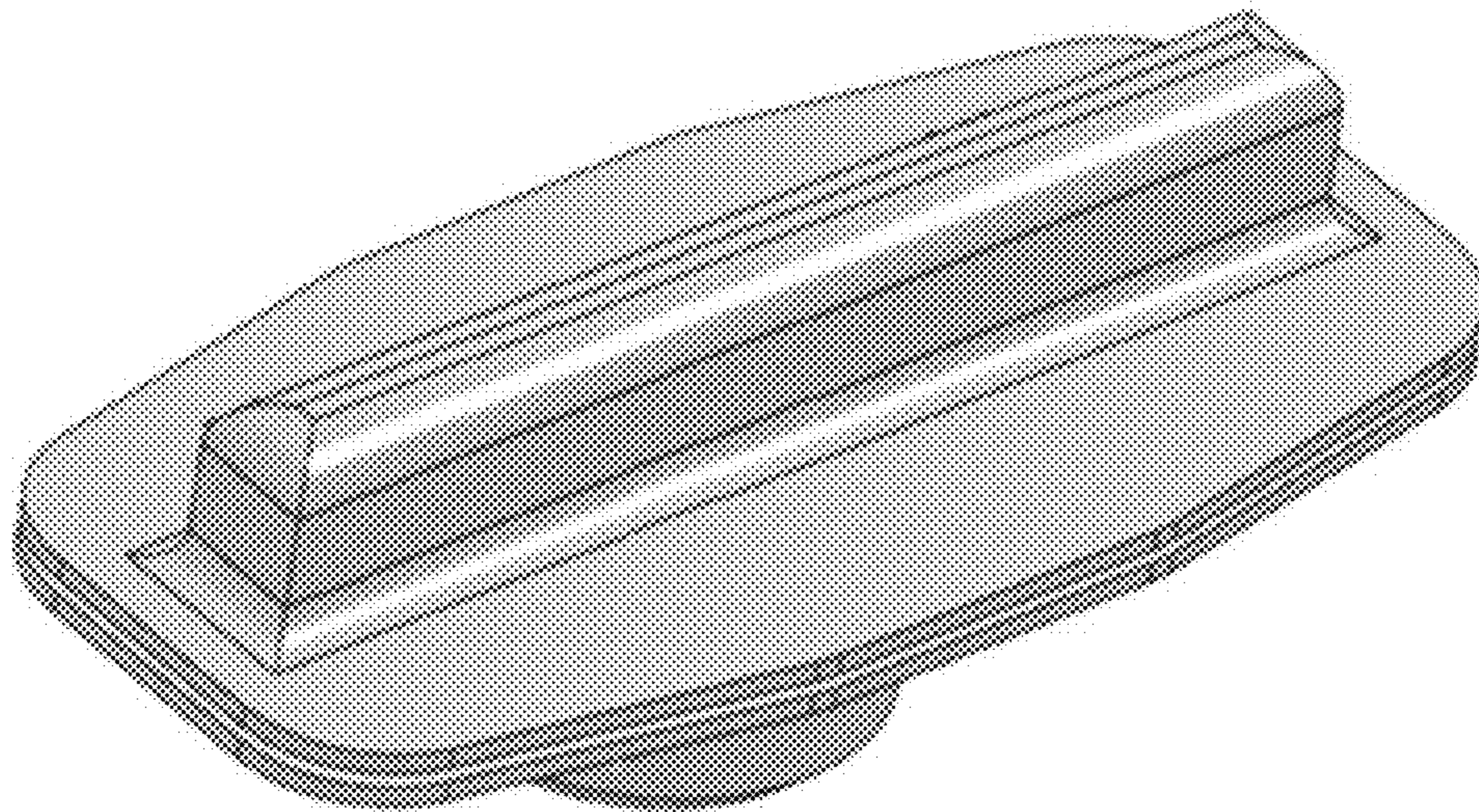


Figure 2



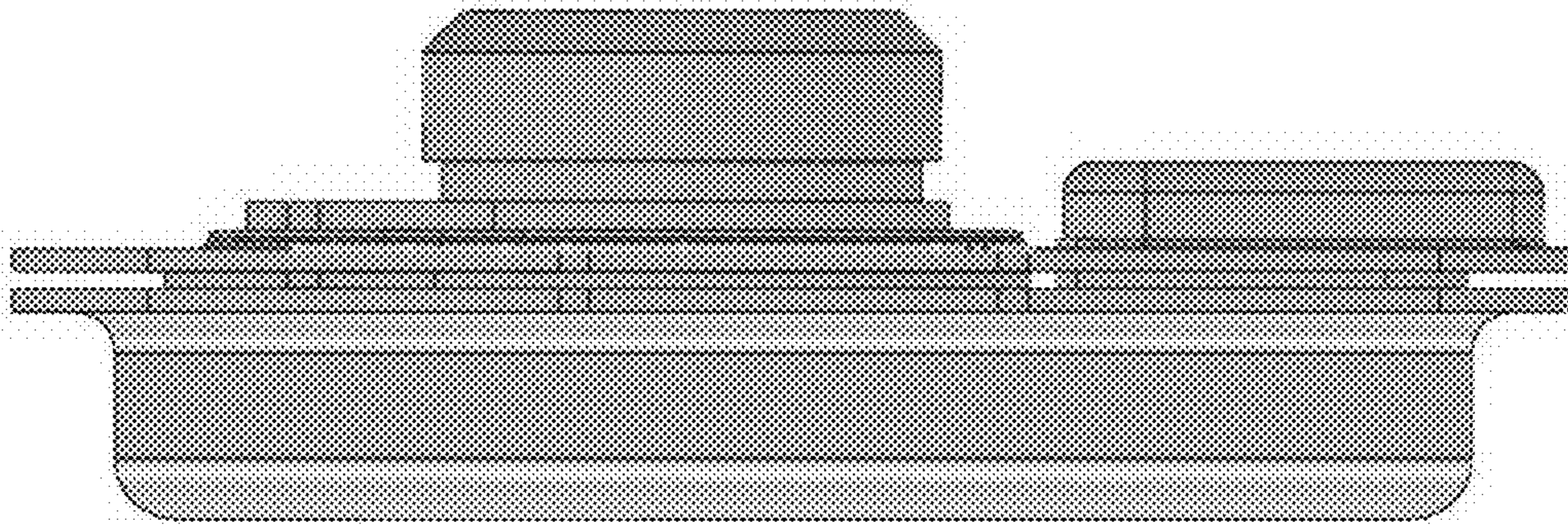


Figure 3

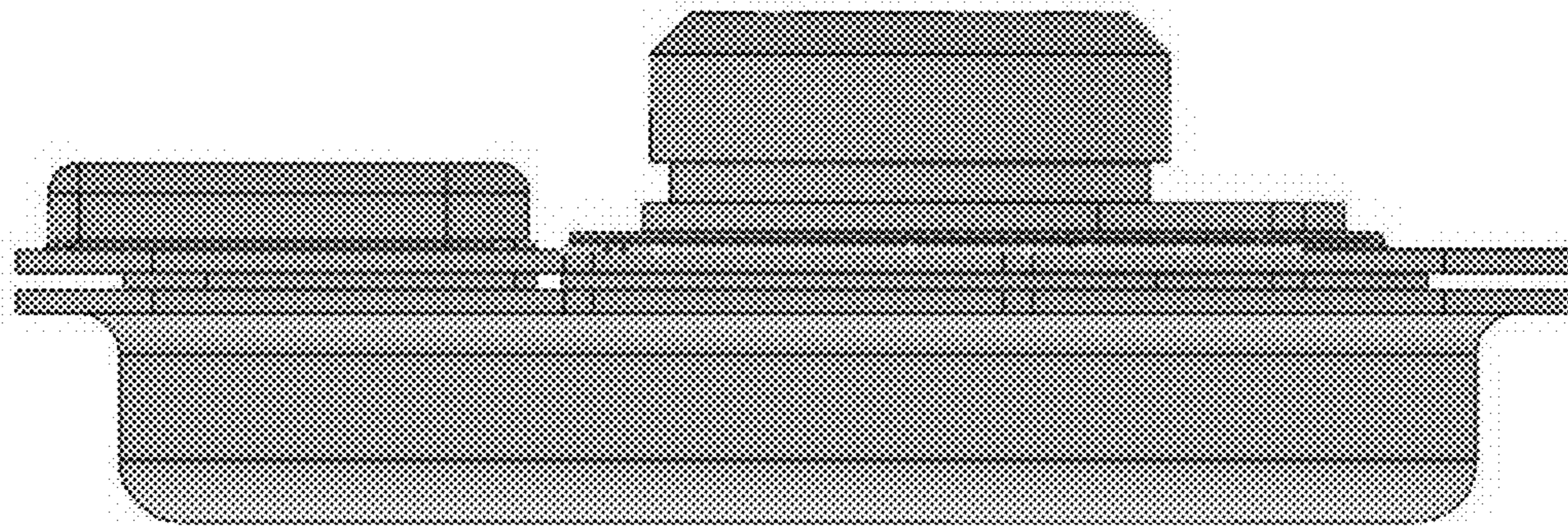


Figure 4



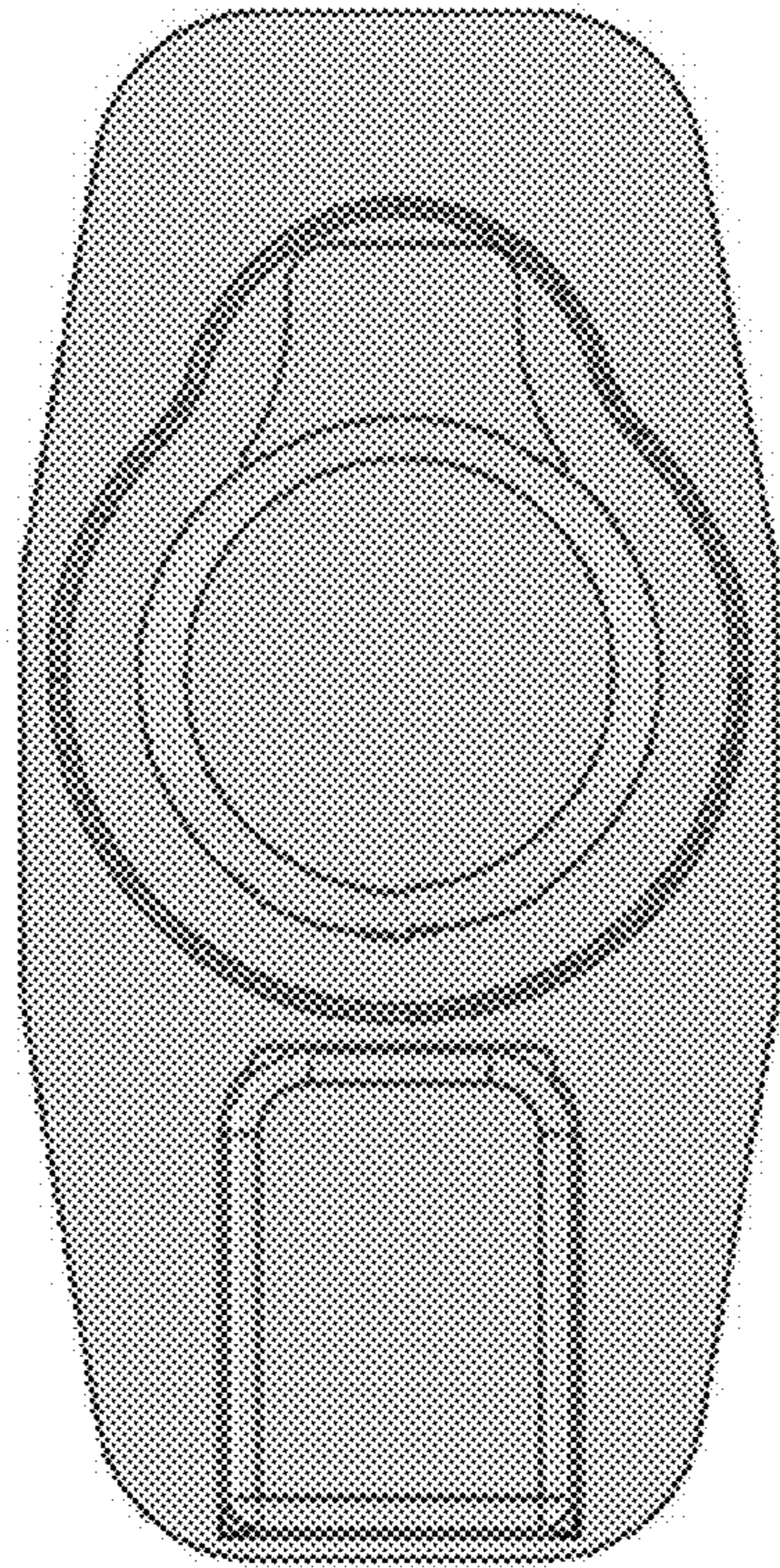


Figure 5

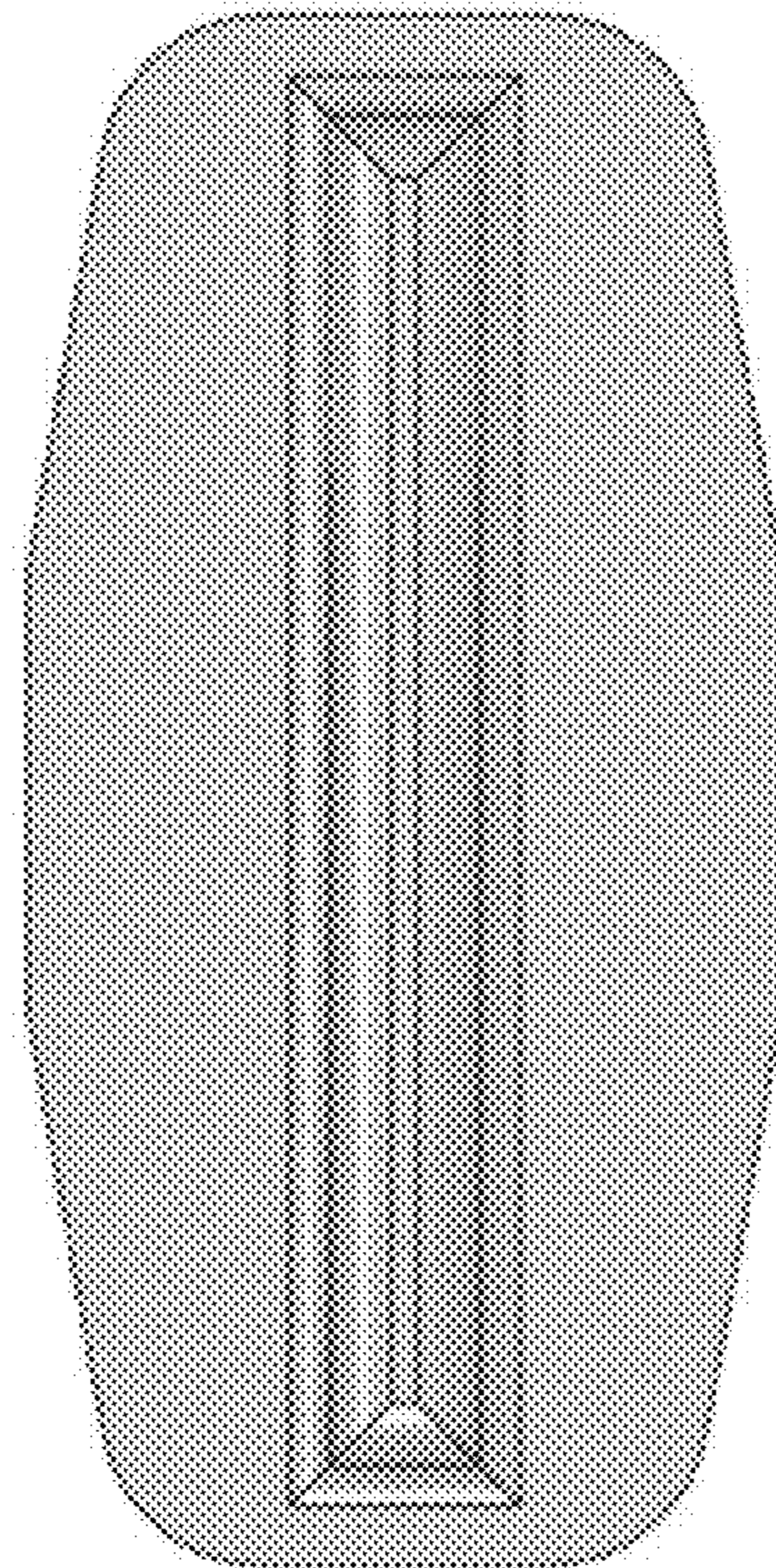


Figure 6

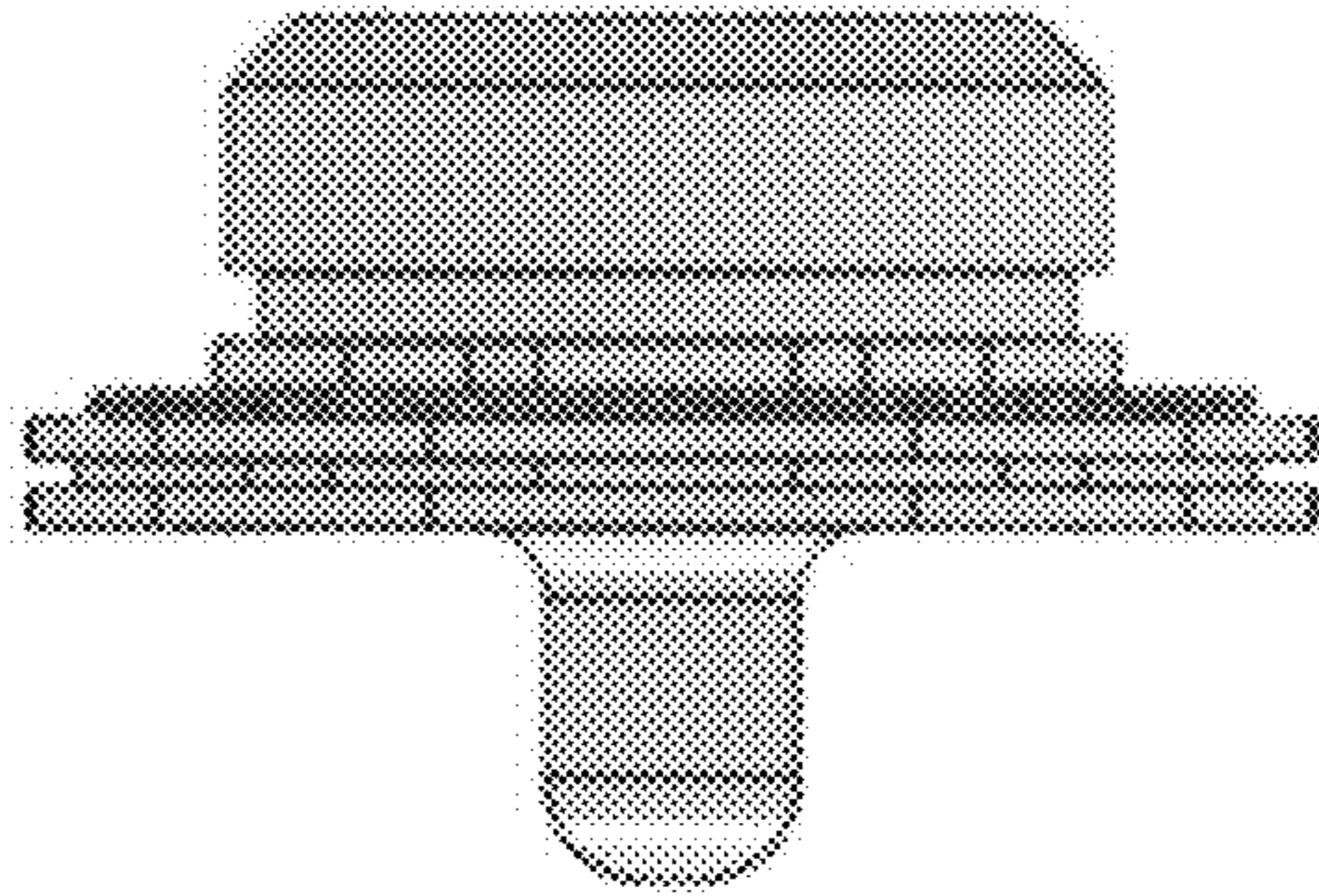


Figure 7

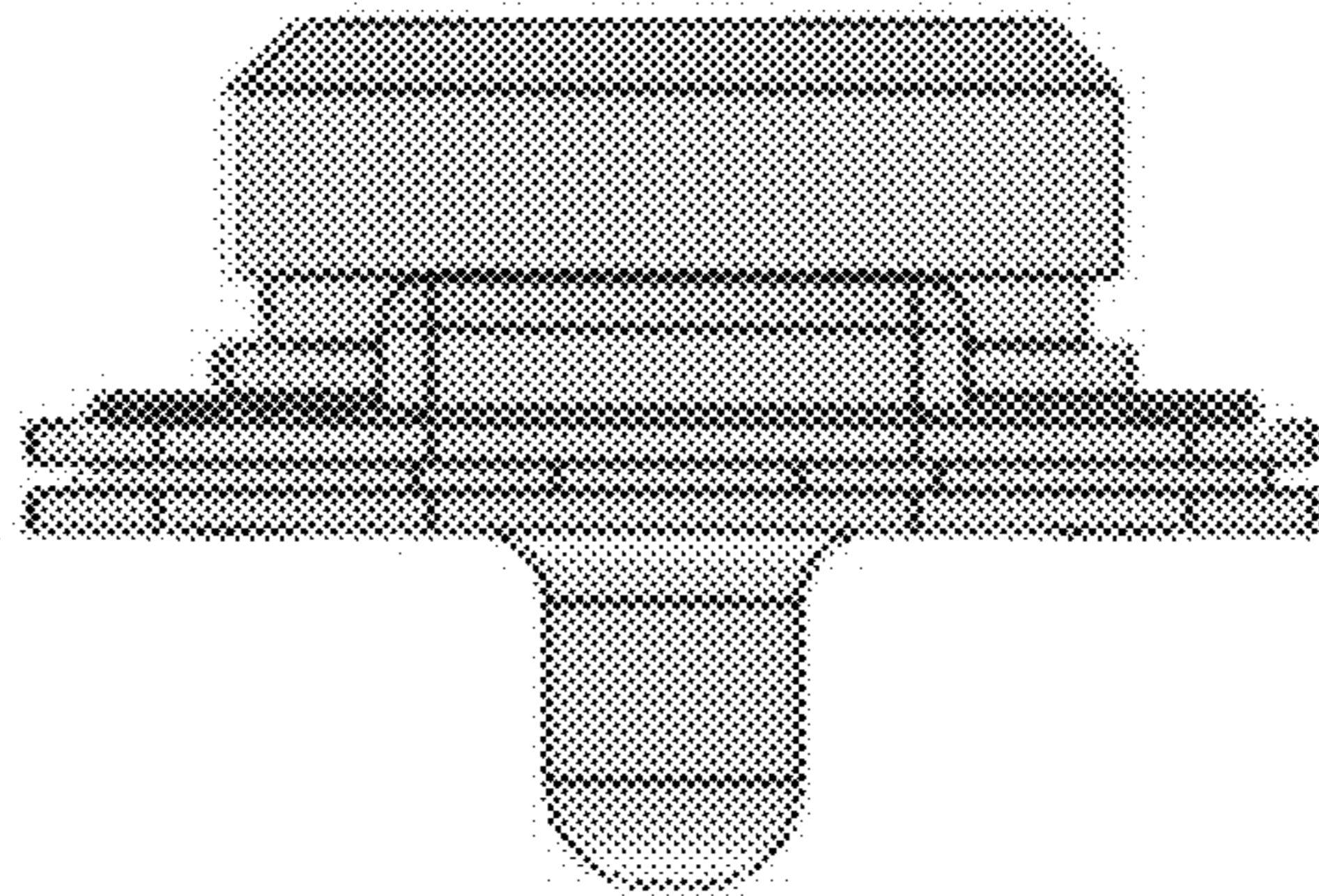


Figure 8