



US00D679018S

(12) **United States Design Patent**  
**Fullerton et al.**

(10) **Patent No.:** **US D679,018 S**  
(45) **Date of Patent:** **\*\* Mar. 26, 2013**

(54) **COMMUNICATOR**

(75) Inventors: **Bruce Fullerton**, Hudson, WI (US);  
**John LaLonde**, Lake Elmo, MN (US)

(73) Assignee: **Cardiac Pacemakers, Inc.**, St. Paul,  
MN (US)

(\*\*) Term: **14 Years**

(21) Appl. No.: **29/412,381**

(22) Filed: **Feb. 2, 2012**

(51) **LOC (9) Cl.** ..... **24-01**

(52) **U.S. Cl.** ..... **D24/167**

(58) **Field of Classification Search** ..... D24/165–168,  
D24/107, 185, 186, 187; D10/31, 32, 38,  
D10/46, 78, 98; 600/301, 382, 384, 481,  
600/483, 485, 500–504, 508, 509, 587, 30,  
600/32; D14/336, 341, 371, 126; 607/60,  
607/119

See application file for complete search history.

(56) **References Cited**

**U.S. PATENT DOCUMENTS**

D338,658 S \* 8/1993 Suzuki ..... D24/186  
D446,306 S \* 8/2001 Ochi et al. .... D24/167  
D468,735 S \* 1/2003 Landerholm et al. .... D14/336  
D490,516 S \* 5/2004 Takahashi et al. .... D24/107  
D508,565 S \* 8/2005 Nephin et al. .... D24/186

D536,793 S \* 2/2007 Assad et al. .... D24/185  
D598,551 S \* 8/2009 Miwa et al. .... D24/186  
D612,503 S \* 3/2010 Johnston et al. .... D24/186  
D613,411 S \* 4/2010 Collins et al. .... D24/186  
D651,103 S \* 12/2011 Greenberg et al. .... D10/70  
D654,450 S \* 2/2012 McManigal et al. .... D14/129  
D664,257 S \* 7/2012 Patil ..... D24/186  
2007/0299350 A1\* 12/2007 Lev et al. .... 600/485

\* cited by examiner

*Primary Examiner* — Anhdao Doan

(74) *Attorney, Agent, or Firm* — Schwegman Lundberg &  
Woessner, P.A.

(57) **CLAIM**

The ornamental design for a communicator, as shown and  
described.

**DESCRIPTION**

FIG. 1 is a front right perspective view of a communicator  
incorporating our new design.

FIG. 2 is a back left perspective view of the communicator.

FIG. 3 is a front view of the communicator.

FIG. 4 is a back view of the communicator.

FIG. 5 is a top view of the communicator.

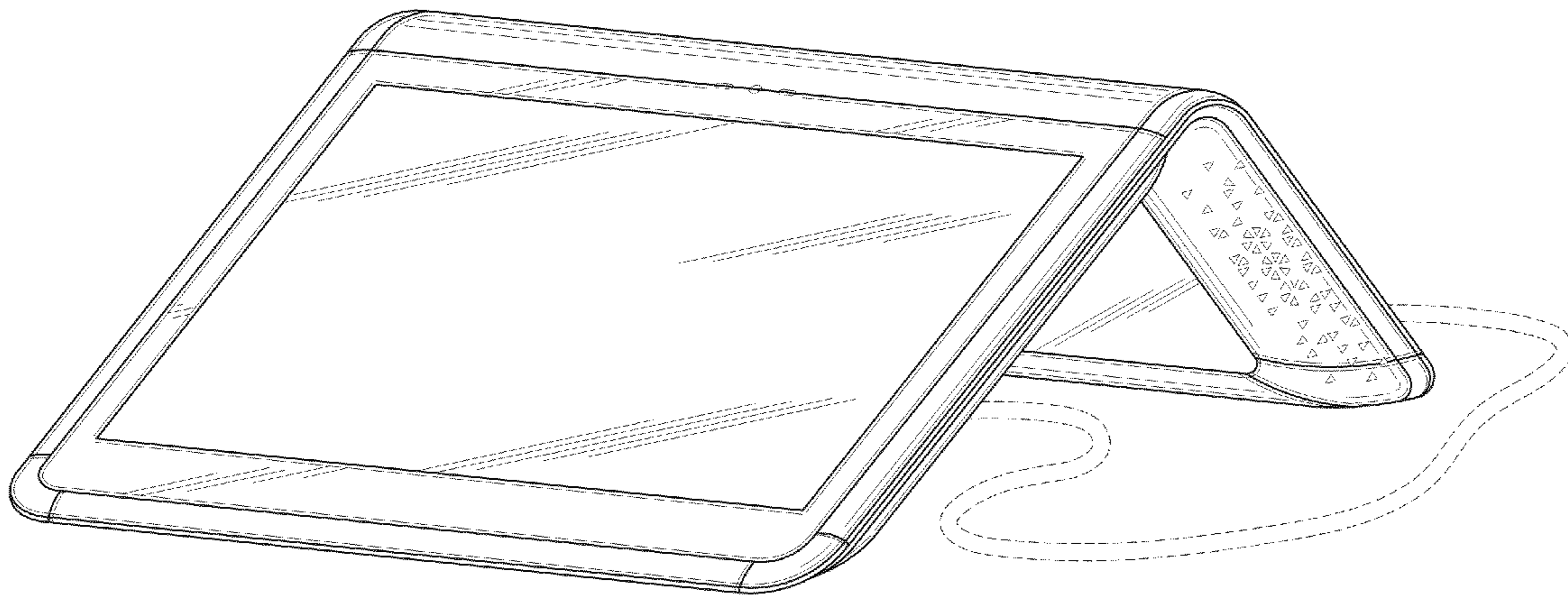
FIG. 6 is a bottom view of the communicator.

FIG. 7 is a right side view of the communicator; and,

FIG. 8 is a left side view of the communicator.

The broken lines in the drawings are included for the purpose  
of illustrating portions of the communicator that form no part  
of the claimed design.

**1 Claim, 7 Drawing Sheets**



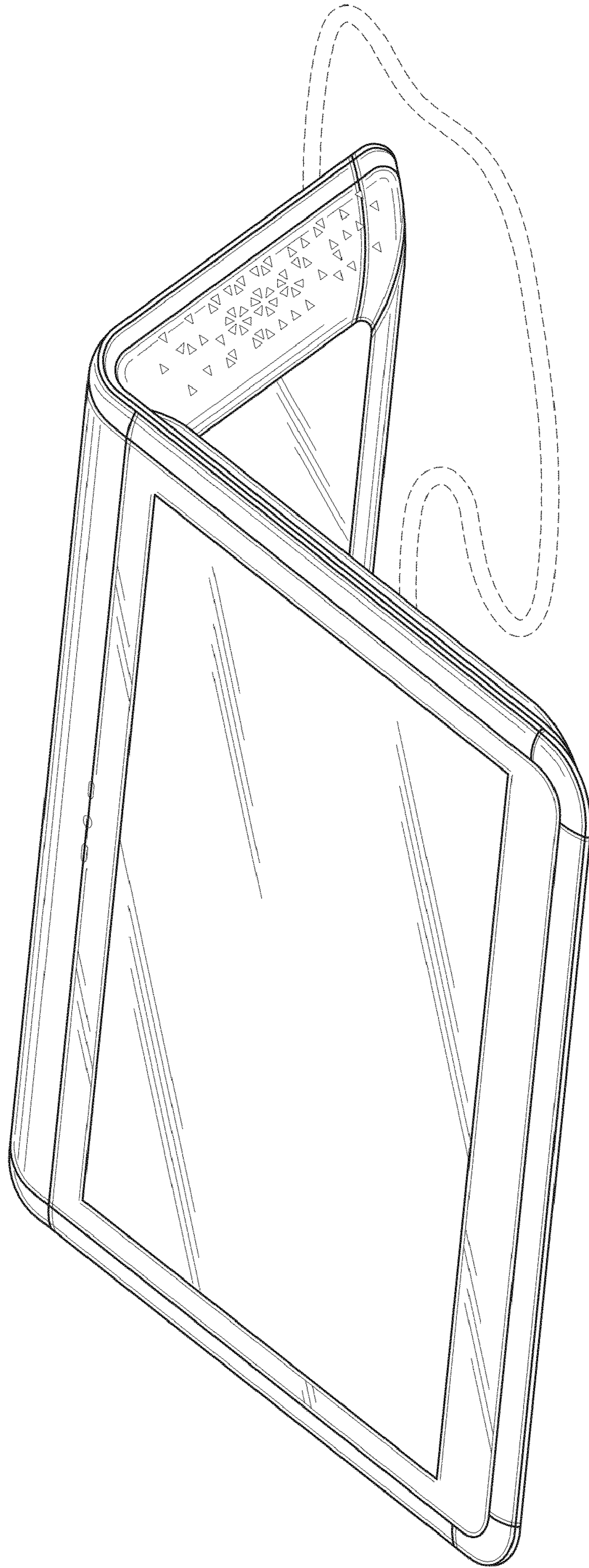


FIG. 1

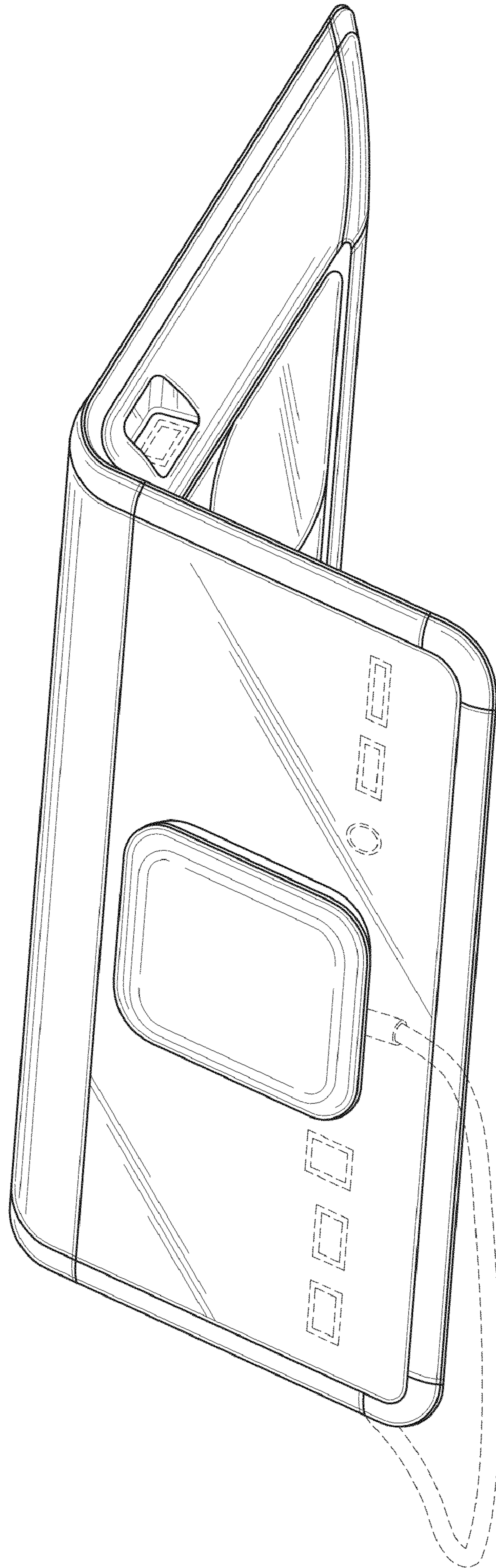
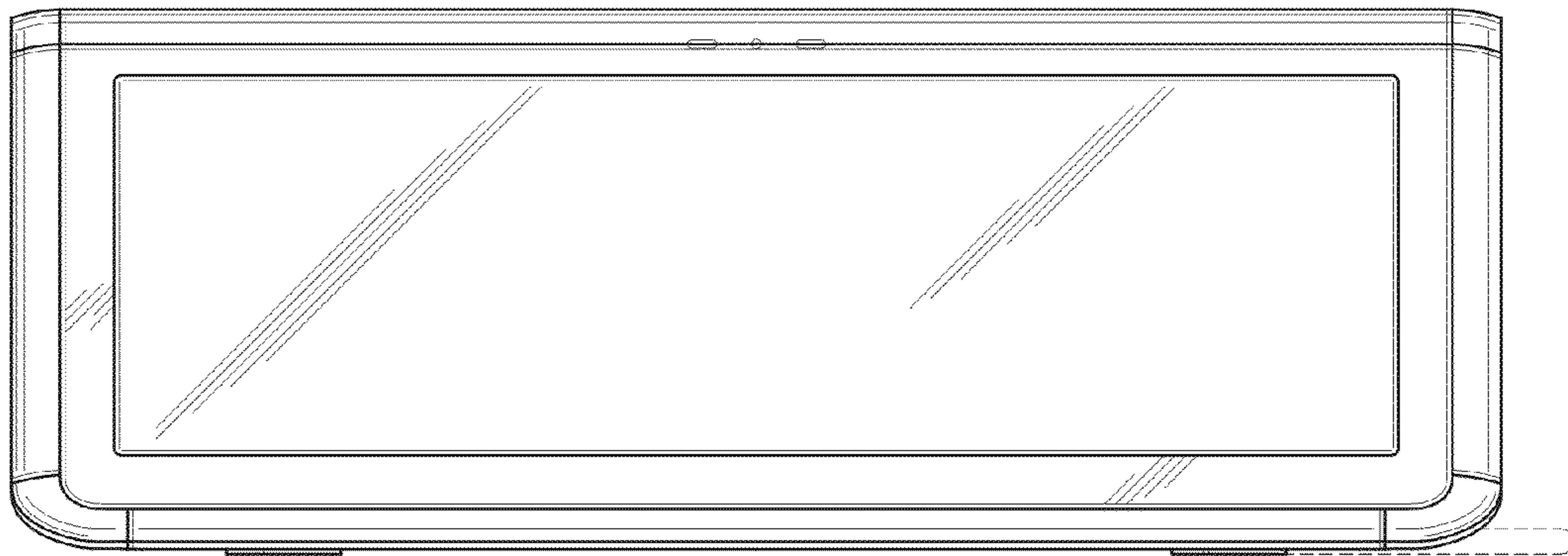
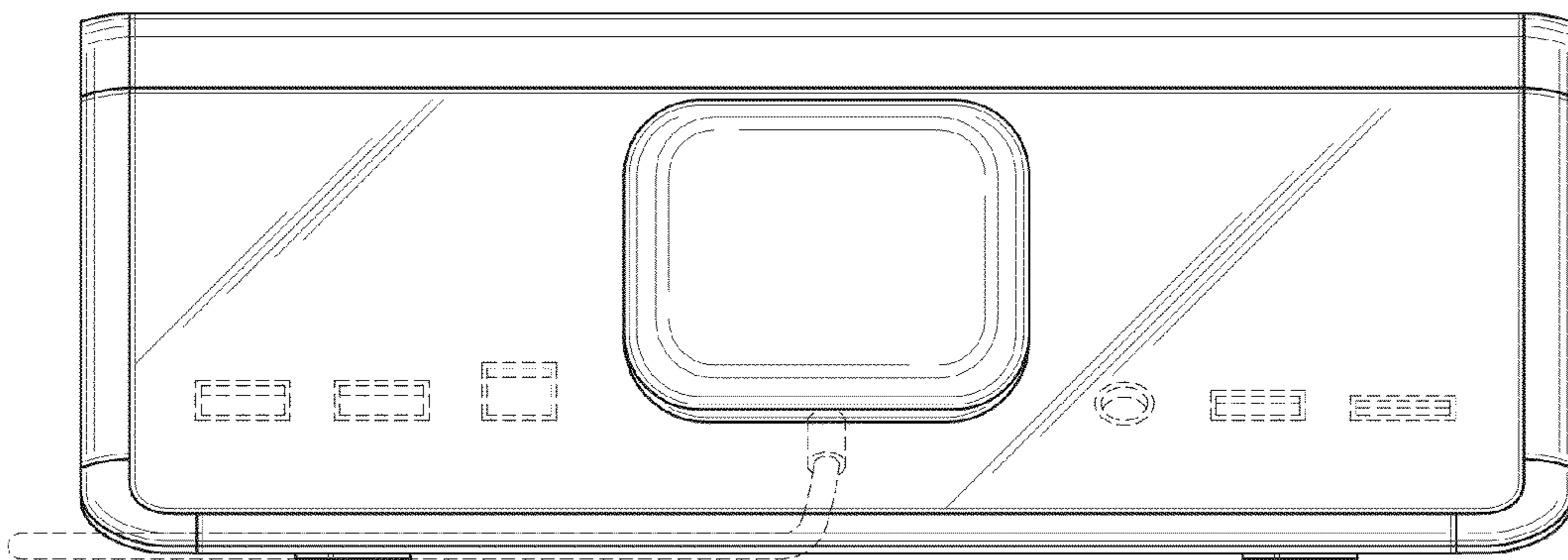


FIG. 2



*FIG. 3*



*FIG. 4*

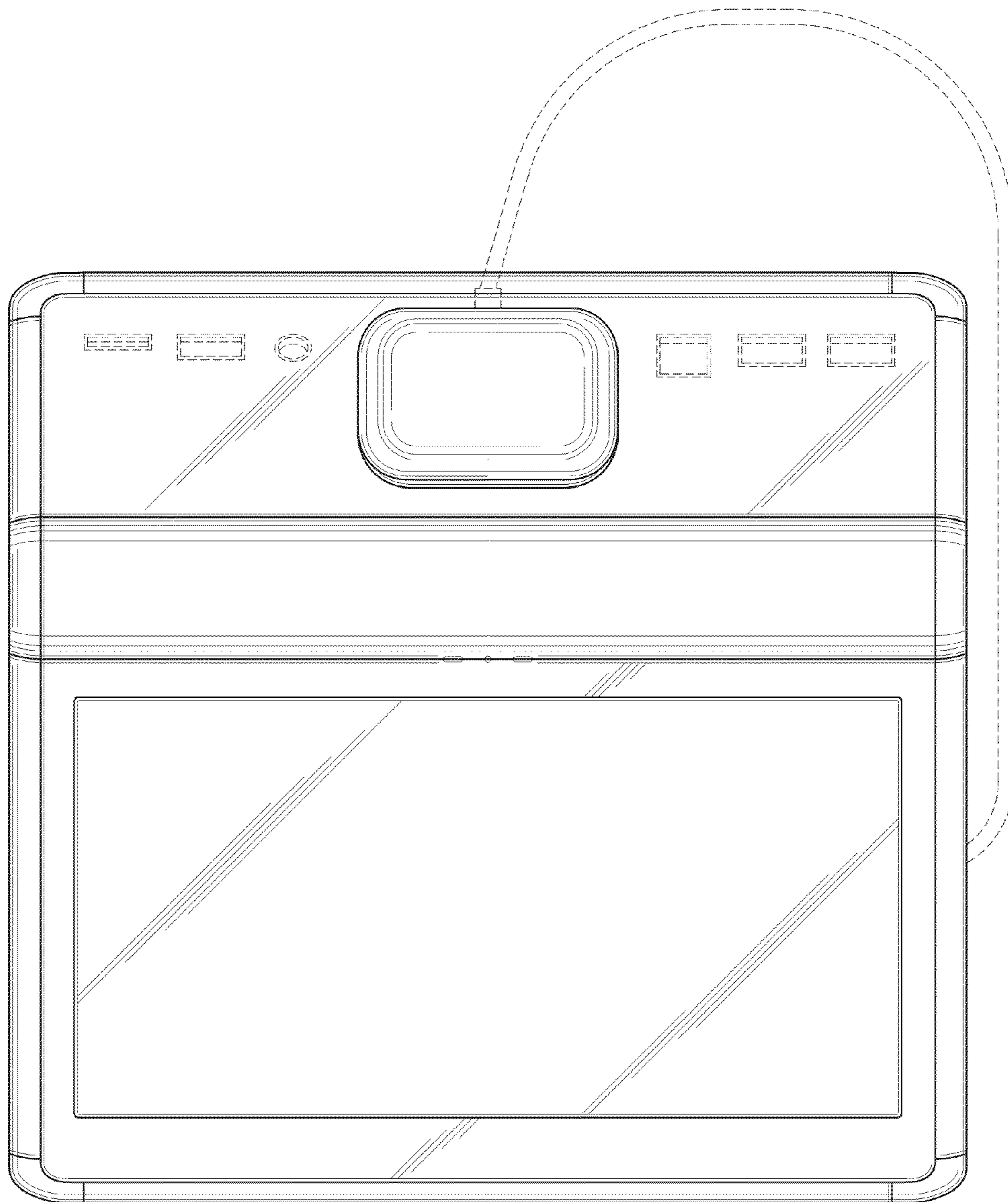


FIG. 5

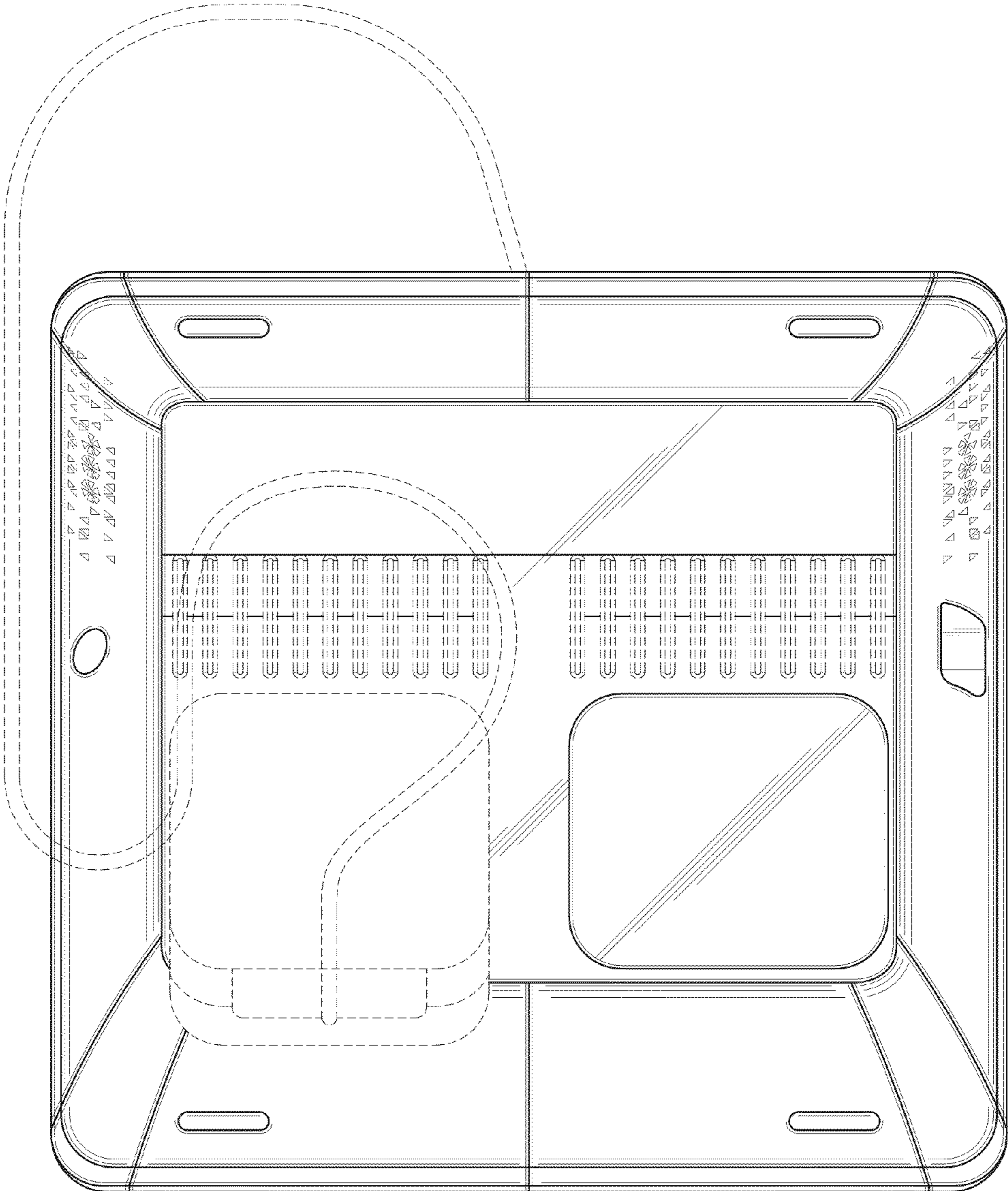


FIG. 6

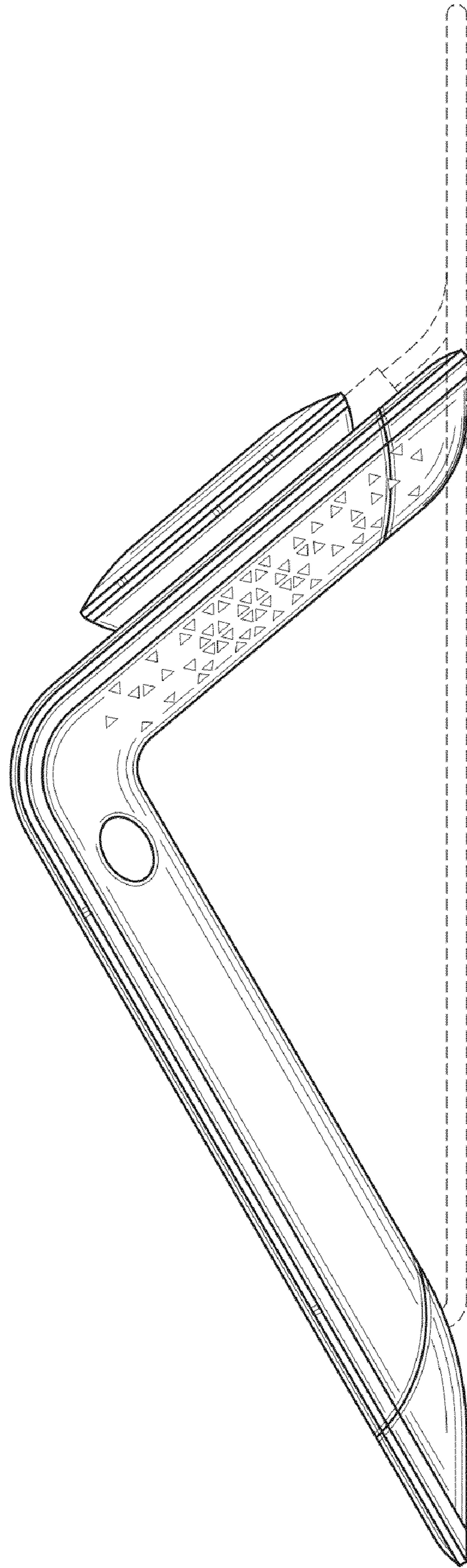
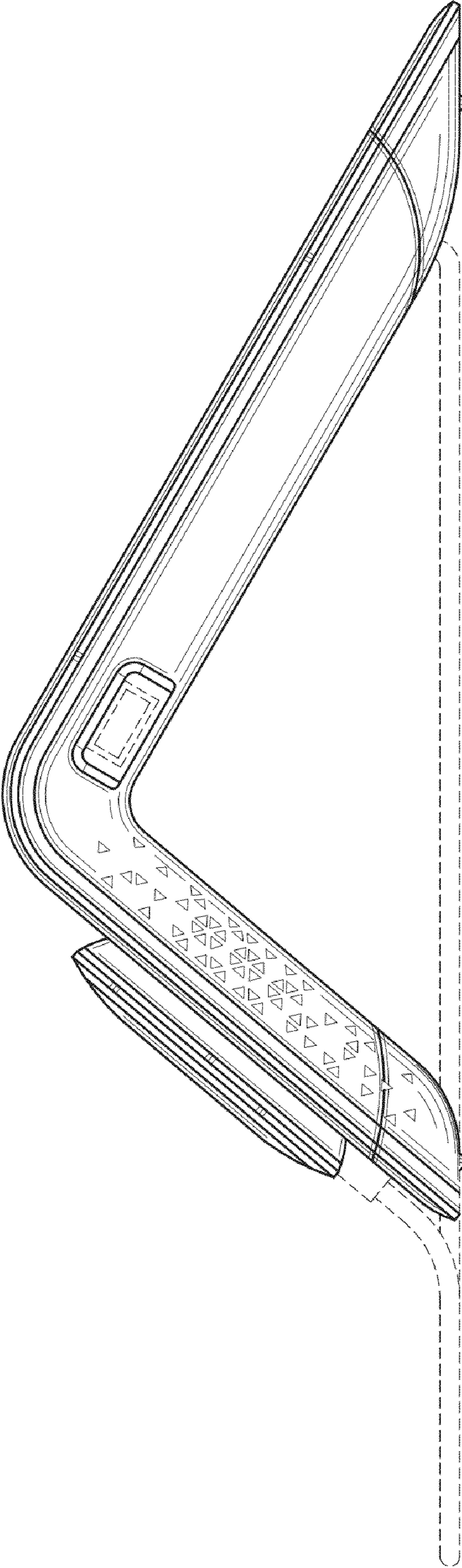


FIG. 7



*FIG. 8*