



US00D679016S

(12) **United States Design Patent**
Jarva

(10) **Patent No.:** **US D679,016 S**
(45) **Date of Patent:** **** Mar. 26, 2013**

(54) **ARM FOR A DENTAL X-RAY APPARATUS**

(75) Inventor: **Mikko Jarva**, Helsinki (FI)

(73) Assignee: **Planmeca Oy**, Helsinki (FI)

(**) Term: **14 Years**

(21) Appl. No.: **29/401,845**

(22) Filed: **Sep. 16, 2011**

(30) **Foreign Application Priority Data**

Mar. 21, 2011 (EM) 001838525-0001

(51) **LOC (9) Cl.** **24-01**

(52) **U.S. Cl.** **D24/158**

(58) **Field of Classification Search** D24/158-161,
D24/185, 186; 378/4, 15, 17, 20, 21, 23-27,
378/62, 68, 146, 37, 195-198, 177, 179,
378/208, 38, 39, 40; D15/199; D13/162,
D13/168, 169; D14/402, 404, 452; 248/276.1,
248/278.1

See application file for complete search history.

(56) **References Cited**

U.S. PATENT DOCUMENTS

D290,500 S * 6/1987 Makas et al. D24/158
D423,534 S * 4/2000 Raab et al. D15/199

6,194,715 B1 * 2/2001 Lingren et al. 250/252.1
D469,182 S * 1/2003 Choi et al. D24/158
D492,997 S * 7/2004 DiStasio D24/158
7,188,999 B2 * 3/2007 Mihara et al. 378/197
D631,052 S * 1/2011 Hung D14/452
D631,970 S * 2/2011 Held D24/185

* cited by examiner

Primary Examiner — Anhdao Doan

(74) *Attorney, Agent, or Firm* — Fay Sharpe LLP

(57) **CLAIM**

The ornamental design for an arm for a dental x-ray apparatus, as shown and described.

DESCRIPTION

FIG. 1 is a perspective view of an arm for a dental x-ray apparatus;

FIG. 2 is a front view thereof;

FIG. 3 is a side view thereof;

FIG. 4 is a rear view thereof;

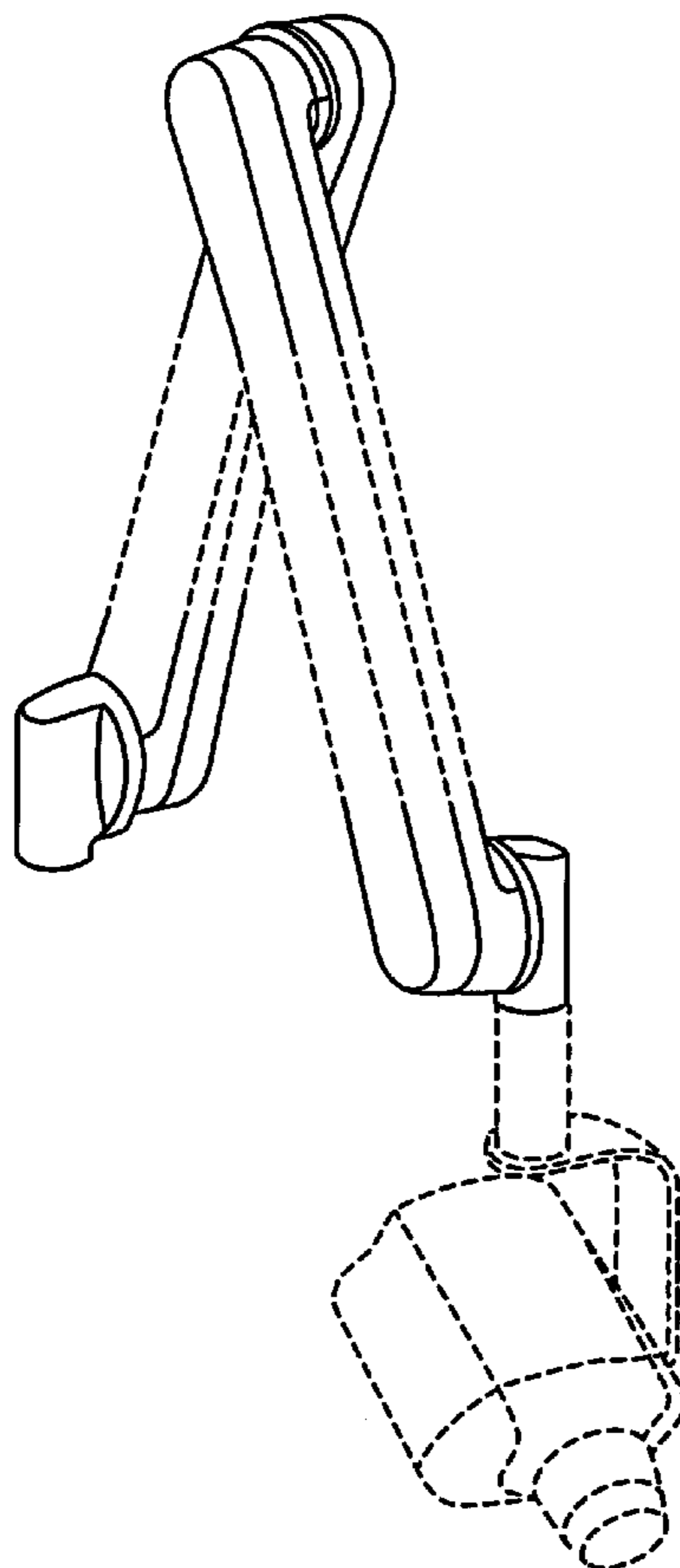
FIG. 5 is another side view thereof;

FIG. 6 is a top view thereof; and,

FIG. 7 is a bottom view thereof.

The broken lines in the drawing views are included for the purpose of illustrating portions of the arm for a dental x-ray apparatus that form no part of the claimed design.

1 Claim, 7 Drawing Sheets



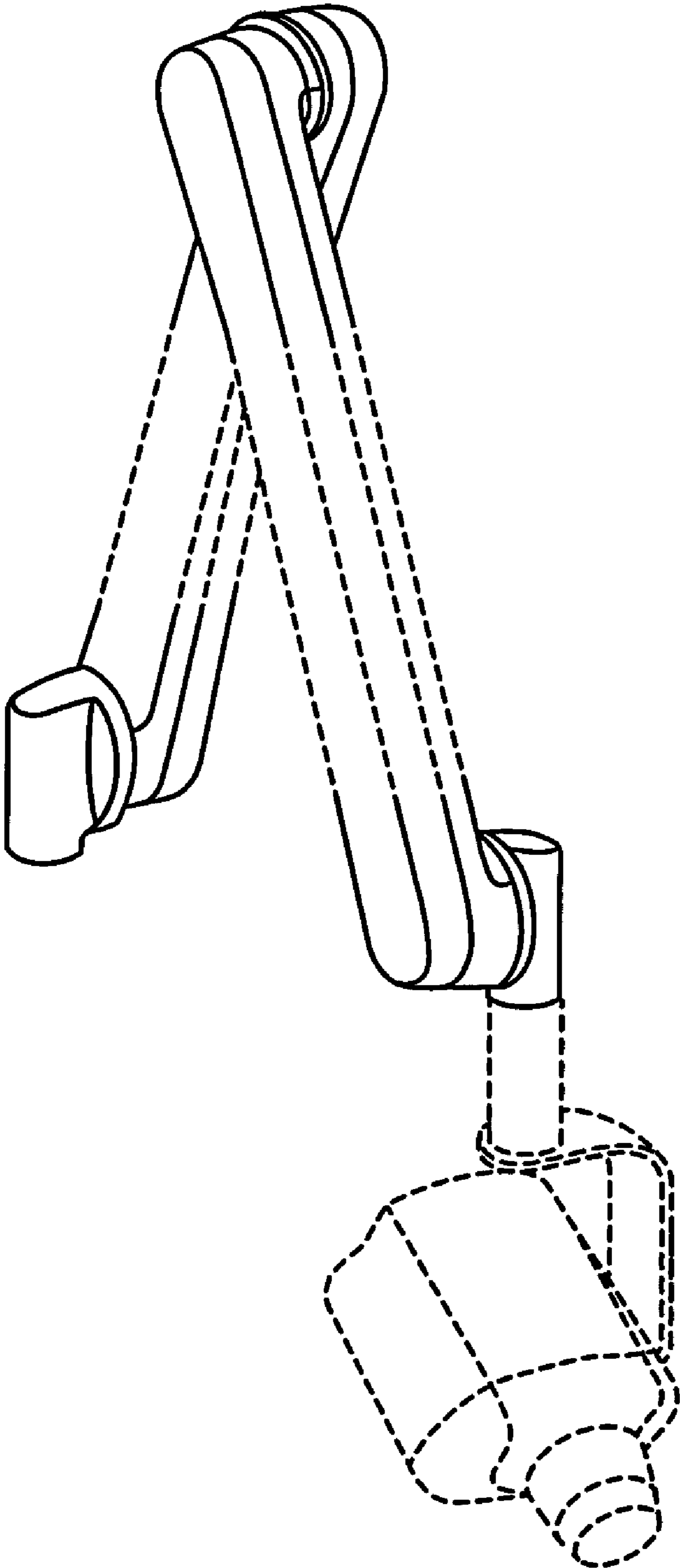


Figure 1.

Figure 2

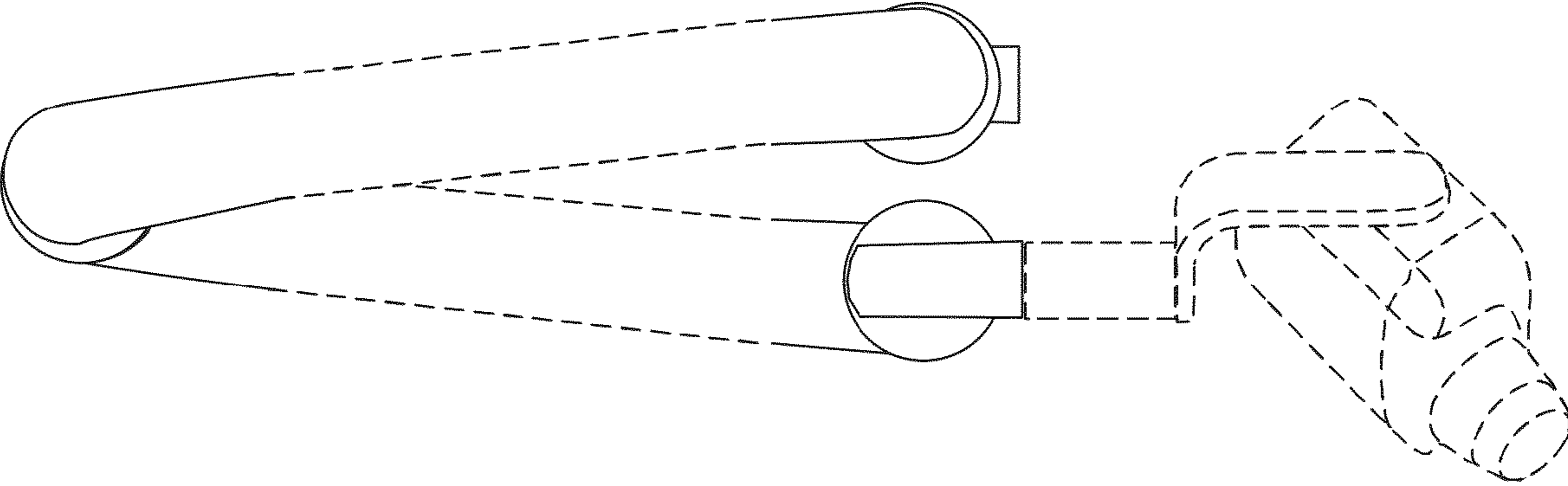


Figure 3

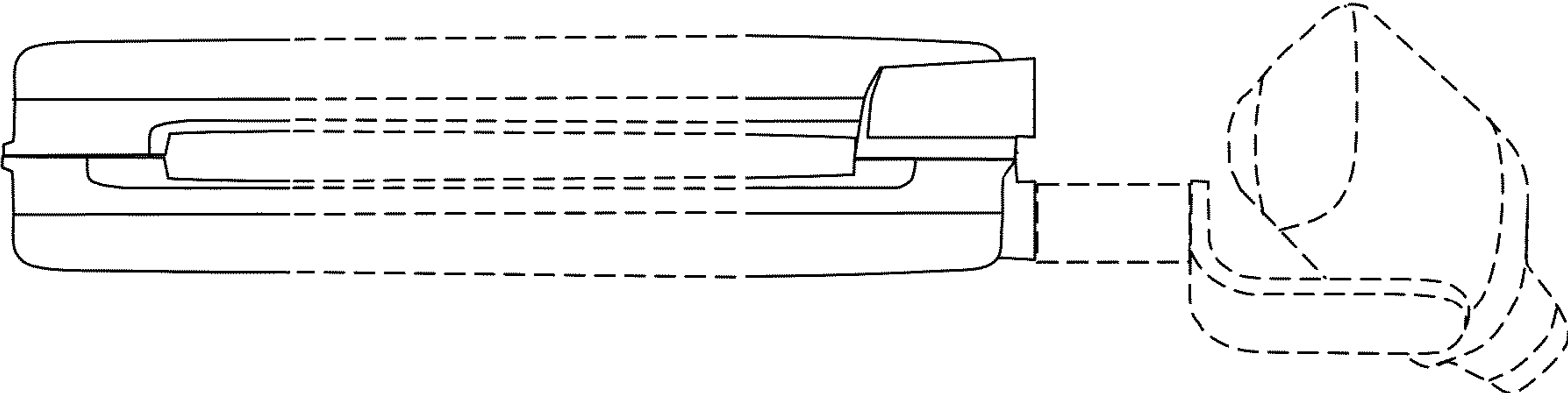
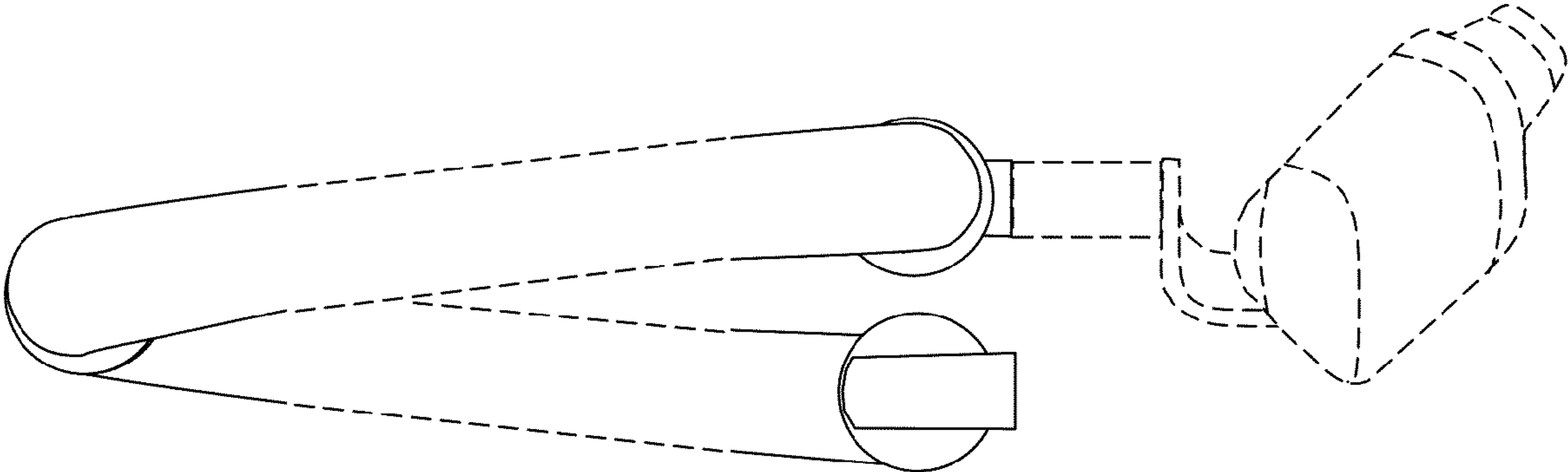


Figure 4



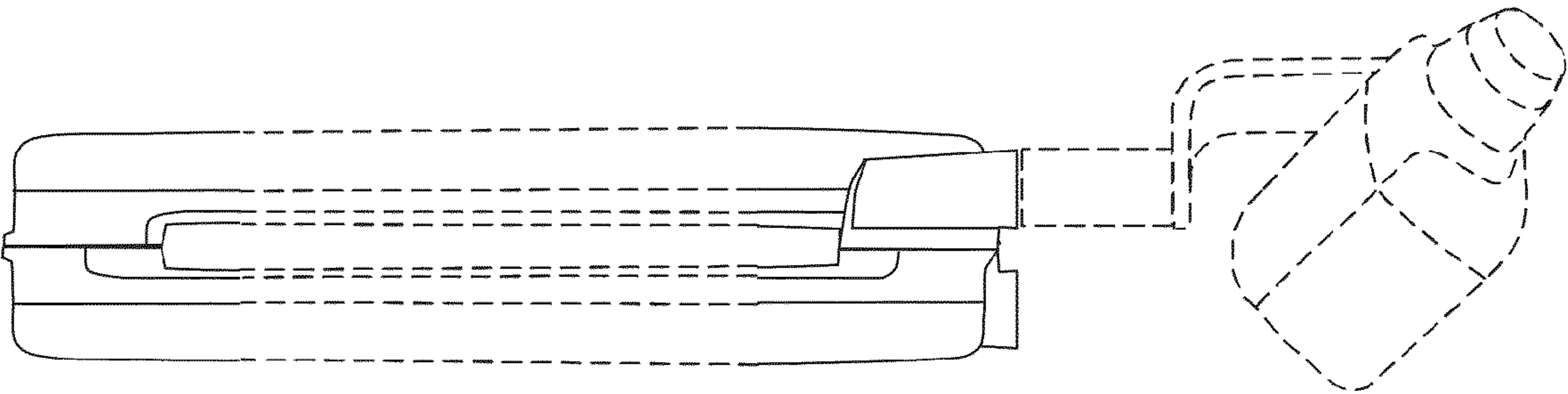


Figure 5

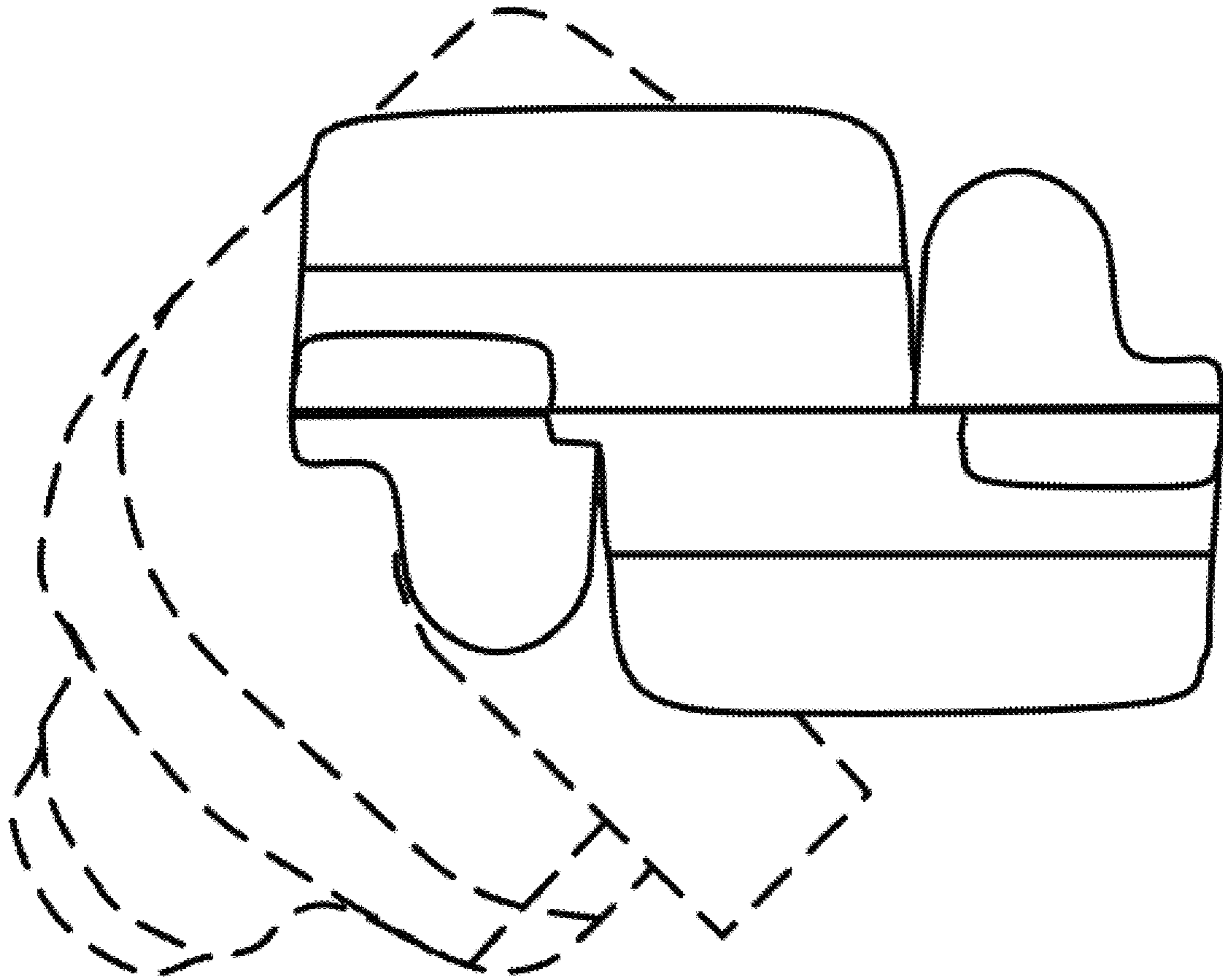


Figure 6

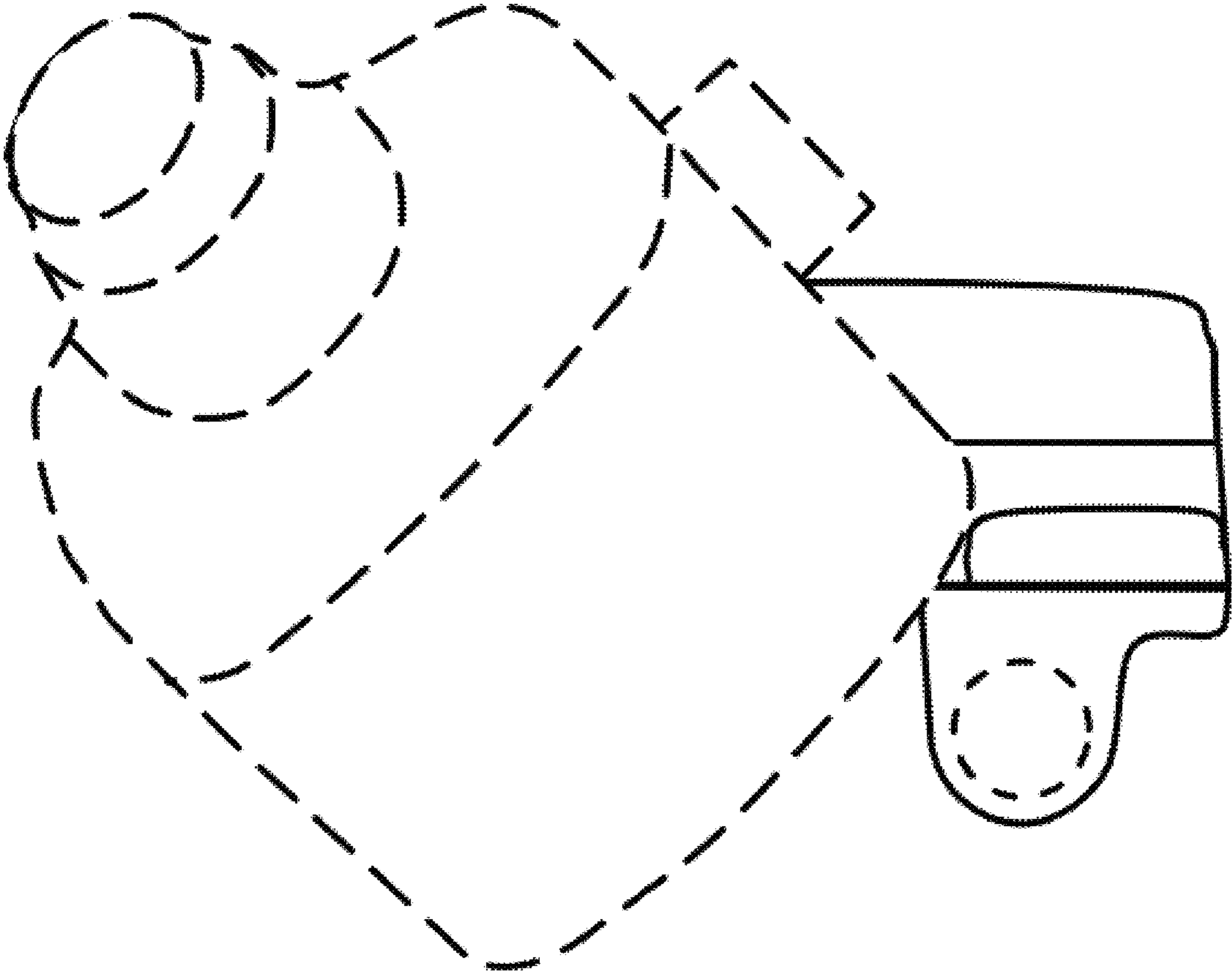


Figure 7