

US00D679014S

(12) **United States Design Patent**
Jayaraj

(10) **Patent No.:** **US D679,014 S**
(45) **Date of Patent:** **** Mar. 26, 2013**

- (54) **SURGICAL INSTRUMENT**
- (76) Inventor: **Prash Jayaraj**, Burbank, CA (US)
- (**) Term: **14 Years**
- (21) Appl. No.: **29/407,945**
- (22) Filed: **Dec. 5, 2011**
- (51) **LOC (9) Cl.** **24-02**
- (52) **U.S. Cl.** **D24/144**
- (58) **Field of Classification Search** D24/133,
D24/144, 147, 170; 606/1, 39-42, 45, 47,
606/49

See application file for complete search history.

(56) **References Cited**

U.S. PATENT DOCUMENTS

D253,247	S *	10/1979	Gill	D24/144
5,318,565	A *	6/1994	Kuriloff et al.	606/49
5,836,944	A *	11/1998	Cosmescu	606/41
D402,030	S *	12/1998	Roberts et al.	D24/144
6,361,532	B1 *	3/2002	Burek	606/45
6,602,249	B1 *	8/2003	Stoddard et al.	606/45
8,128,622	B2 *	3/2012	Podhajsky et al.	606/47
2007/0129722	A1 *	6/2007	Cosmescu	606/42
2009/0018539	A1 *	1/2009	Cosmescu	606/41
2012/0101497	A1 *	4/2012	Jayaraj	606/42

OTHER PUBLICATIONS

AccuVac™ Smoke Evacuation Electrosurgical Pencils.
CardinalHealth. [Retrieved on Oct. 18, 2012]. Retrieved from the

Internet: <URL: http://www.cardinal.com/us/en/distributedproducts/ASP/E2350HS.asp?cat=med_surg-orig>.*
Valleylab, "Electrosurgical Pencils", http://www.valleylab.com/products/es/accessories/es_pencils_over.html, Jun. 17, 2009.

* cited by examiner

Primary Examiner — Wan Laymon

(74) *Attorney, Agent, or Firm* — K&L Gates LLP; Louis C. Cullman; Brian Novak

(57) **CLAIM**

The ornamental design for a surgical instrument, as shown and described.

DESCRIPTION

FIG. 1 is a perspective view of a surgical instrument of my design.

FIG. 2 is a top view of the surgical instrument of FIG. 1.

FIG. 3 is a bottom view of the surgical instrument of FIG. 1.

FIG. 4 is a front view of the surgical instrument of FIG. 1.

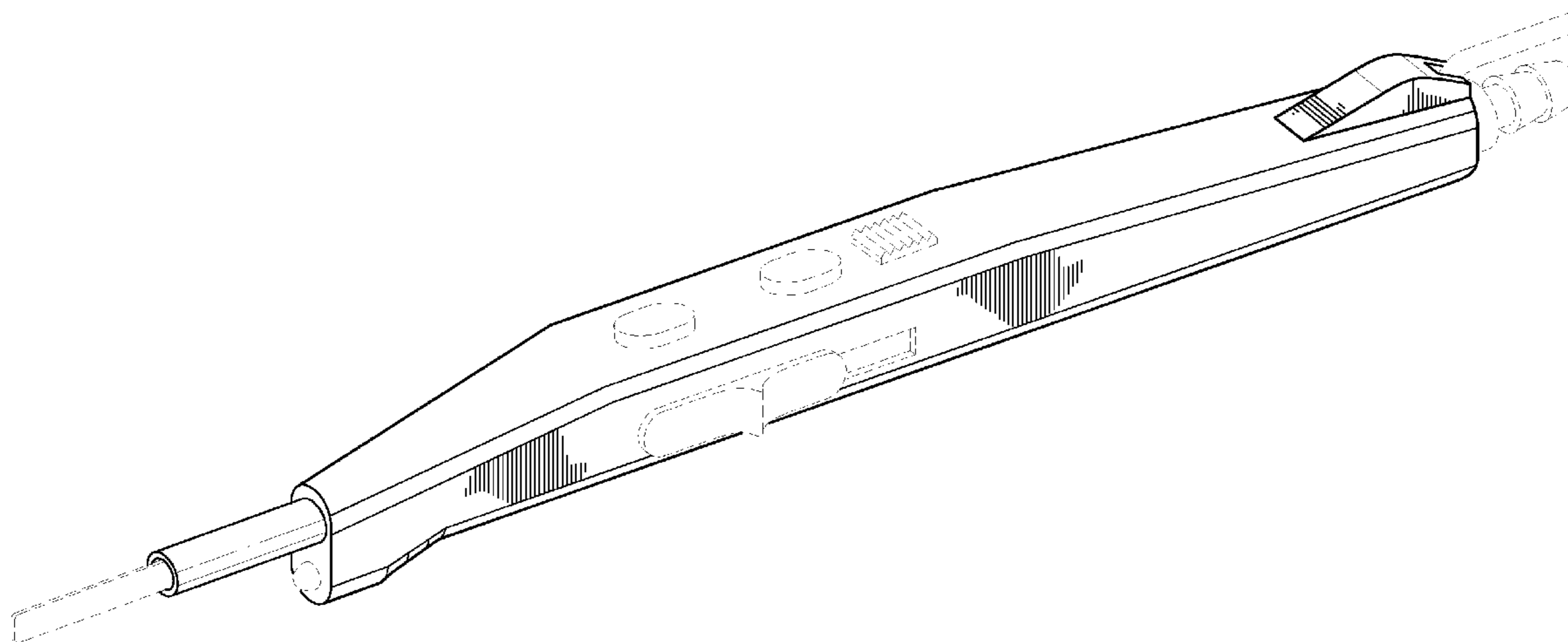
FIG. 5 is a back view of the surgical instrument of FIG. 1.

FIG. 6 is a first side view of the surgical instrument of FIG. 1; and,

FIG. 7 is a second side view of the surgical instrument of FIG. 1.

The broken lines shown in the figures represent portions of the surgical instrument that form no part of the claimed design.

1 Claim, 3 Drawing Sheets



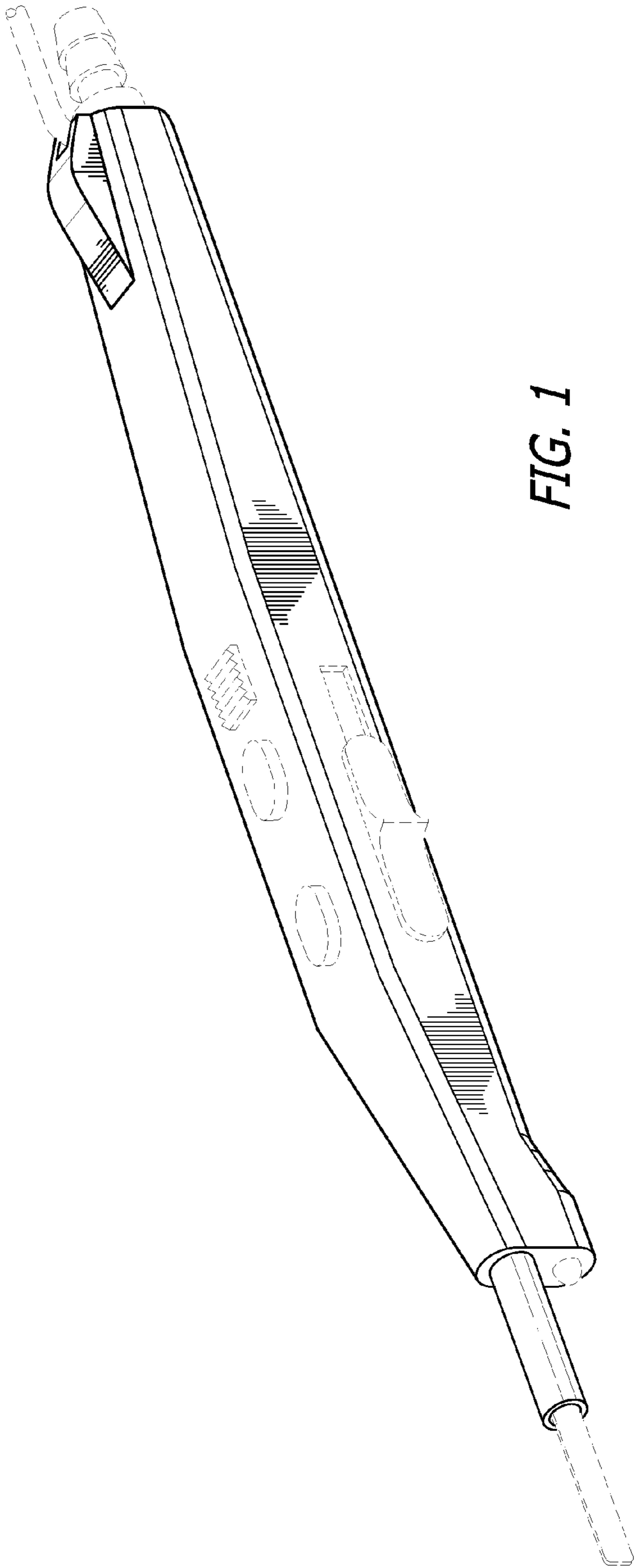


FIG. 1

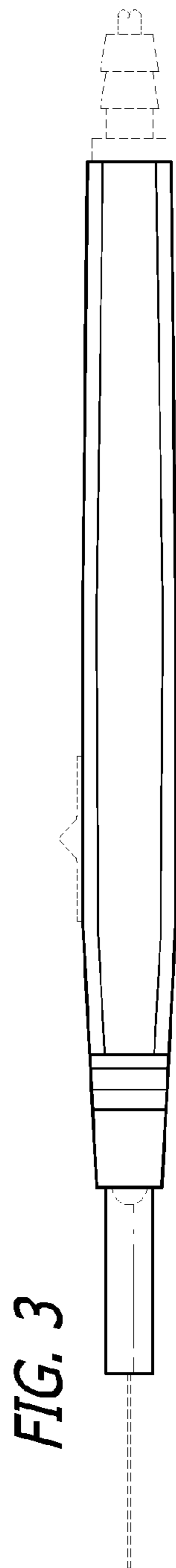
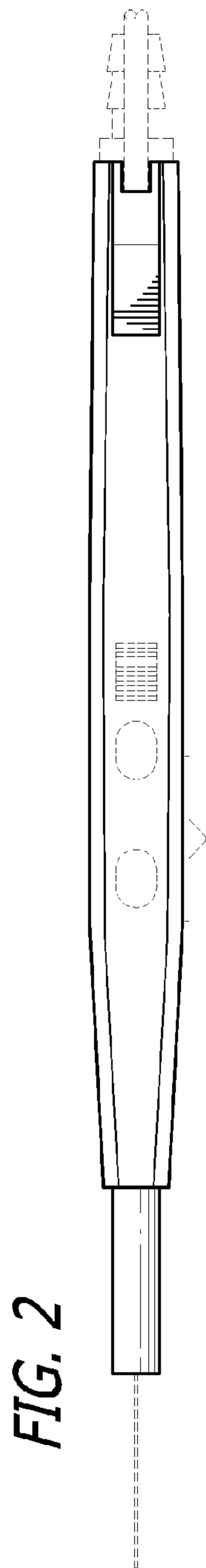


FIG. 5

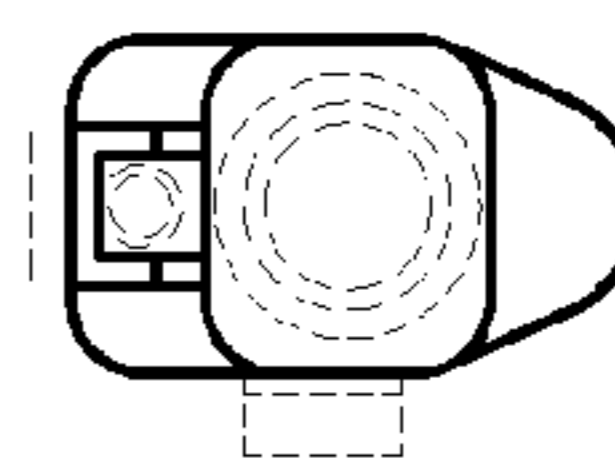


FIG. 4

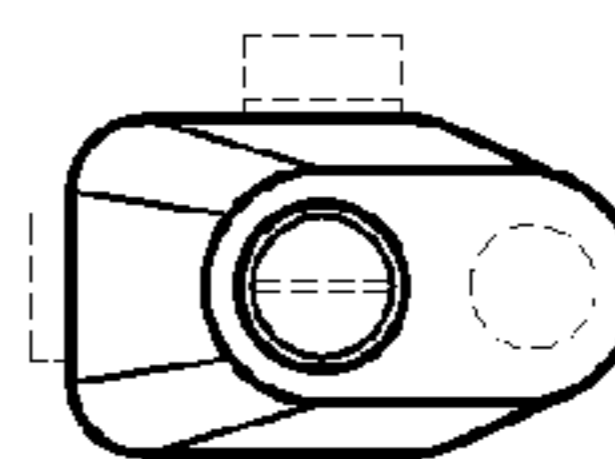


FIG. 6

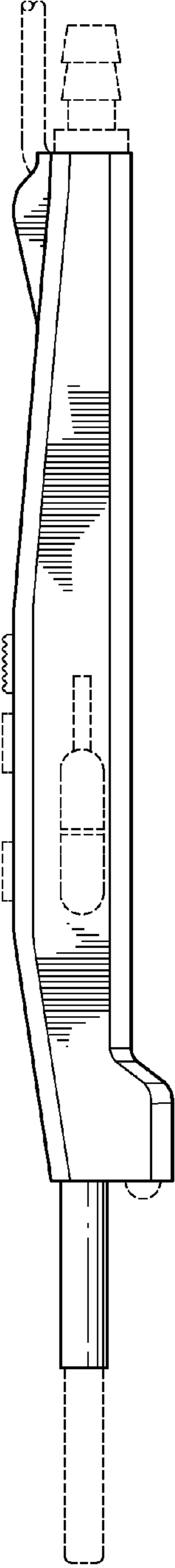


FIG. 7

