

US00D679013S

(12) **United States Design Patent**
Green et al.

(10) **Patent No.:** **US D679,013 S**
(45) **Date of Patent:** **** *Mar. 26, 2013**

(54) **NON-PNEUMATIC TOURNIQUET DEVICE**

Primary Examiner — Wan Laymon

(75) Inventors: **William J. Green**, Thousand Oaks, CA (US); **Ted J. Brackett**, Manhattan Beach, CA (US)

(74) *Attorney, Agent, or Firm* — Law Office of David Hong

(73) Assignee: **Precision Medical Devices, LLC**, San Clemente, CA (US)

(57) **CLAIM**

The ornamental design for a non-pneumatic tourniquet device, as shown and described.

(*) Notice: This patent is subject to a terminal disclaimer.

(**) Term: **14 Years**

DESCRIPTION

(21) Appl. No.: **29/405,373**

This application is also related to U.S. Design patent application Ser. No. 29/317,784, filed on May 6, 2008, now U.S. Design Pat. No. D625,824, and U.S. Design patent application Ser. No. 29/346,791, filed on Nov. 5, 2009, now U.S. Design Pat. No. D642,275.

(22) Filed: **Nov. 1, 2011**

Related U.S. Application Data

(63) Continuation-in-part of application No. 12/897,770, filed on Oct. 4, 2010, and a continuation-in-part of application No. 12/114,737, filed on May 2, 2008.

FIG. 1 is a perspective view of a non-pneumatic tourniquet device showing our new design;

(51) **LOC (9) Cl.** **24-02**

FIG. 2 is a top view thereof, the bottom view being a mirror image;

(52) **U.S. Cl.** **D24/143; D24/169**

FIG. 3 is a first side elevational view thereof; the second side or opposite side view being a mirror image;

(58) **Field of Classification Search** D24/107, D24/143, 164-169, 188-190, 192; 600/490; 601/149, 151-152; 606/202-203
See application file for complete search history.

FIG. 4 is a third side elevational view thereof;

FIG. 5 is a fourth side elevational view thereof;

(56) **References Cited**

U.S. PATENT DOCUMENTS

2,333,237 A 11/1943 Erikson
2,660,174 A * 11/1953 Saemann 606/202

(Continued)

FOREIGN PATENT DOCUMENTS

JP 59-183216 S 12/1984
WO 03049623 A2 6/2003

(Continued)

OTHER PUBLICATIONS

MARMEDCO.COM internet printout for Tourni-Cot product, dated May 2007 (2 pages).

FIG. 6 is a cross-sectional view thereof, taken along line 6-6 in FIG. 2.

FIG. 7 is a perspective view thereof, with the central element seen in FIG. 1 through FIG. 6 removed in order to depict the inner structure of the non-pneumatic tourniquet device;

FIG. 8 is a top view of the non-pneumatic tourniquet device of FIG. 7, the bottom view being a mirror image;

FIG. 9 is a first side view of the non-pneumatic tourniquet device of FIG. 7, the second side or opposite view being a mirror image;

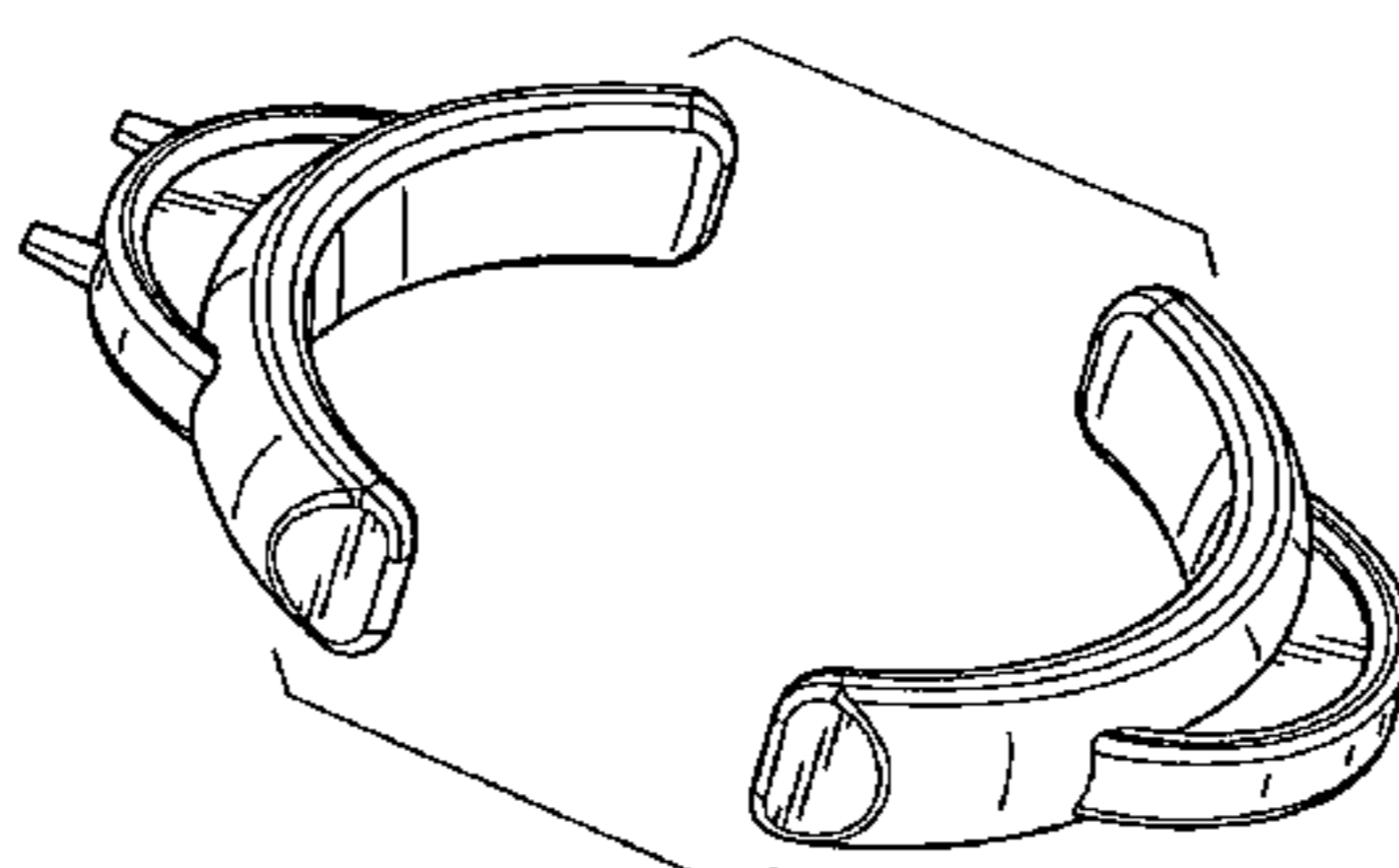
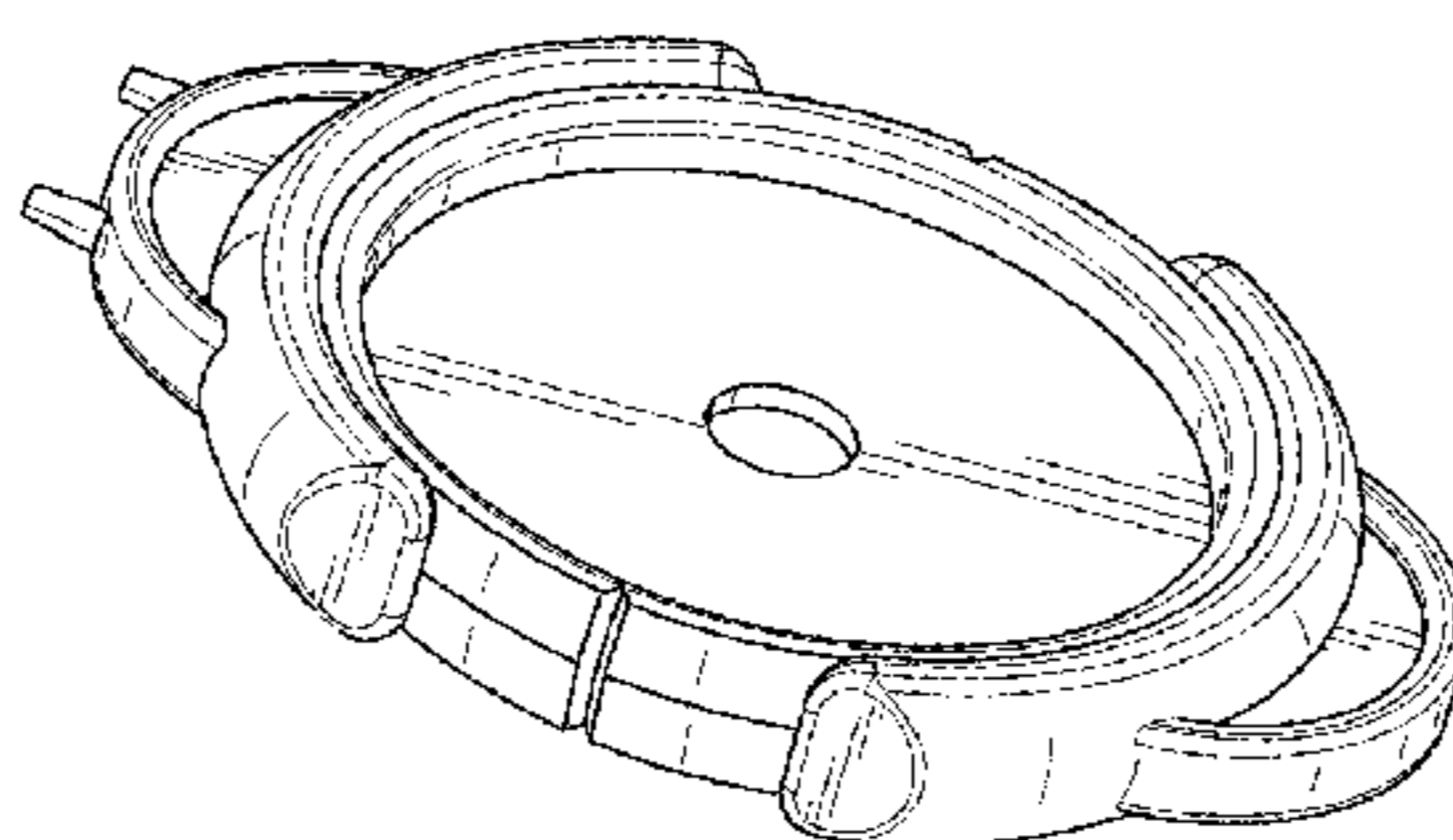
FIG. 10 is a third side view of the non-pneumatic tourniquet device of FIG. 7;

FIG. 11 is a fourth side view of the non-pneumatic tourniquet device of FIG. 7; and,

FIG. 12 is a cross-sectional view of the non-pneumatic tourniquet device of FIG. 7, taken along line 12-12 of FIG. 8.

(Continued)

1 Claim, 2 Drawing Sheets



US D679,013 S

Page 2

U.S. PATENT DOCUMENTS

2,903,172 A * 9/1959 Carter 224/219
3,675,657 A 7/1972 Gauthier
3,705,580 A 12/1972 Gauthier
3,968,792 A 7/1976 Small
4,173,978 A 11/1979 Brown
4,177,813 A 12/1979 Miller
4,228,792 A 10/1980 Rhys-Davies
4,256,094 A 3/1981 Kapp
D272,186 S * 1/1984 Peck D24/143
4,455,548 A 6/1984 Burnett
4,637,394 A 1/1987 Racz
4,911,162 A 3/1990 Wolff
5,181,522 A 1/1993 McEwen
5,304,188 A 4/1994 Marogil
5,304,202 A 4/1994 Stahl
5,607,448 A 3/1997 Stahl
5,628,329 A 5/1997 Bennett
5,706,805 A 1/1998 Swartz
5,797,933 A 8/1998 Snow
5,873,813 A 2/1999 Weiss
5,997,469 A 12/1999 Northcutt
6,019,767 A 2/2000 Howell
6,110,187 A 8/2000 Donlon
6,183,486 B1 2/2001 Snow et al.
6,234,980 B1 5/2001 Bell
6,254,604 B1 7/2001 Howell
6,254,605 B1 7/2001 Howell
6,319,194 B1 11/2001 Wulf
6,454,097 B1 9/2002 Blanco
6,569,083 B1 5/2003 Kassman

6,613,038 B2 9/2003 Bonutti
6,824,511 B1 11/2004 Bell
6,843,253 B2 1/2005 Parkes
7,582,102 B2 * 9/2009 Heinz et al. 606/203
D625,824 S 10/2010 Brackett
7,819,800 B2 10/2010 Beckman
7,854,748 B2 12/2010 Gavriely
D642,275 S 7/2011 Brackett
2001/0001825 A1 5/2001 Snow
2003/0009087 A1 1/2003 Keirsbilck
2005/0027218 A1 2/2005 Filtvedt
2005/0049631 A1 3/2005 Carter-Smith
2005/0143689 A1 6/2005 Ramsey
2005/0283191 A1 12/2005 Fontayne
2006/0004302 A1 1/2006 Tuckett
2006/0089668 A1 * 4/2006 Warburton 606/203
2007/0073335 A1 3/2007 Carter-Smith
2008/0103366 A1 5/2008 Banchieri
2008/0119801 A1 5/2008 Moore
2008/0275499 A1 11/2008 Brackett
2011/0022077 A1 1/2011 Brackett

FOREIGN PATENT DOCUMENTS

WO 2008/137808 A1 11/2008

OTHER PUBLICATIONS

MOOREMEDICAL.COM internet website printout for Tourni-Cot,
dated Nov. 7, 2011 (1 page).

* cited by examiner

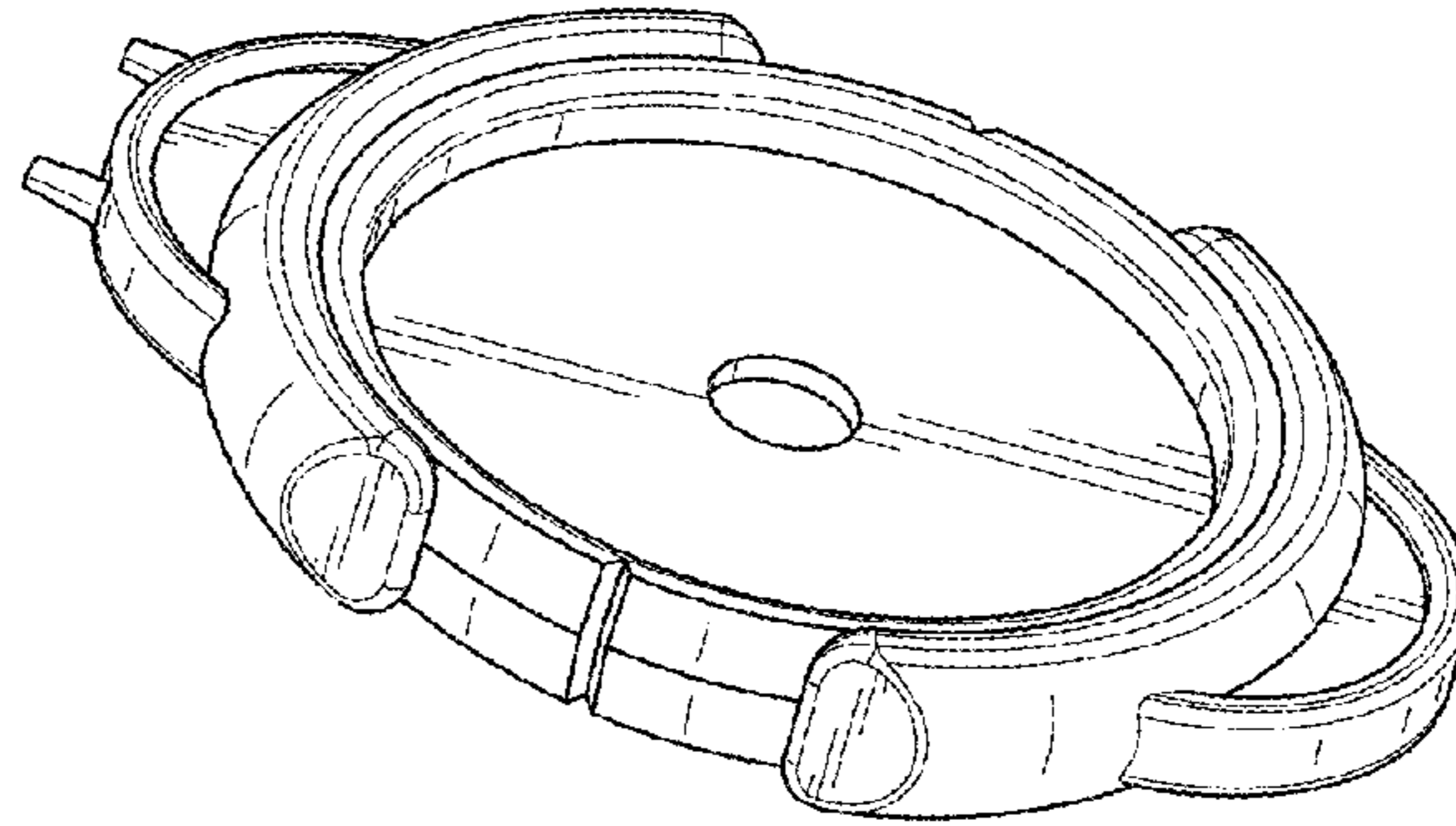


FIG. 1

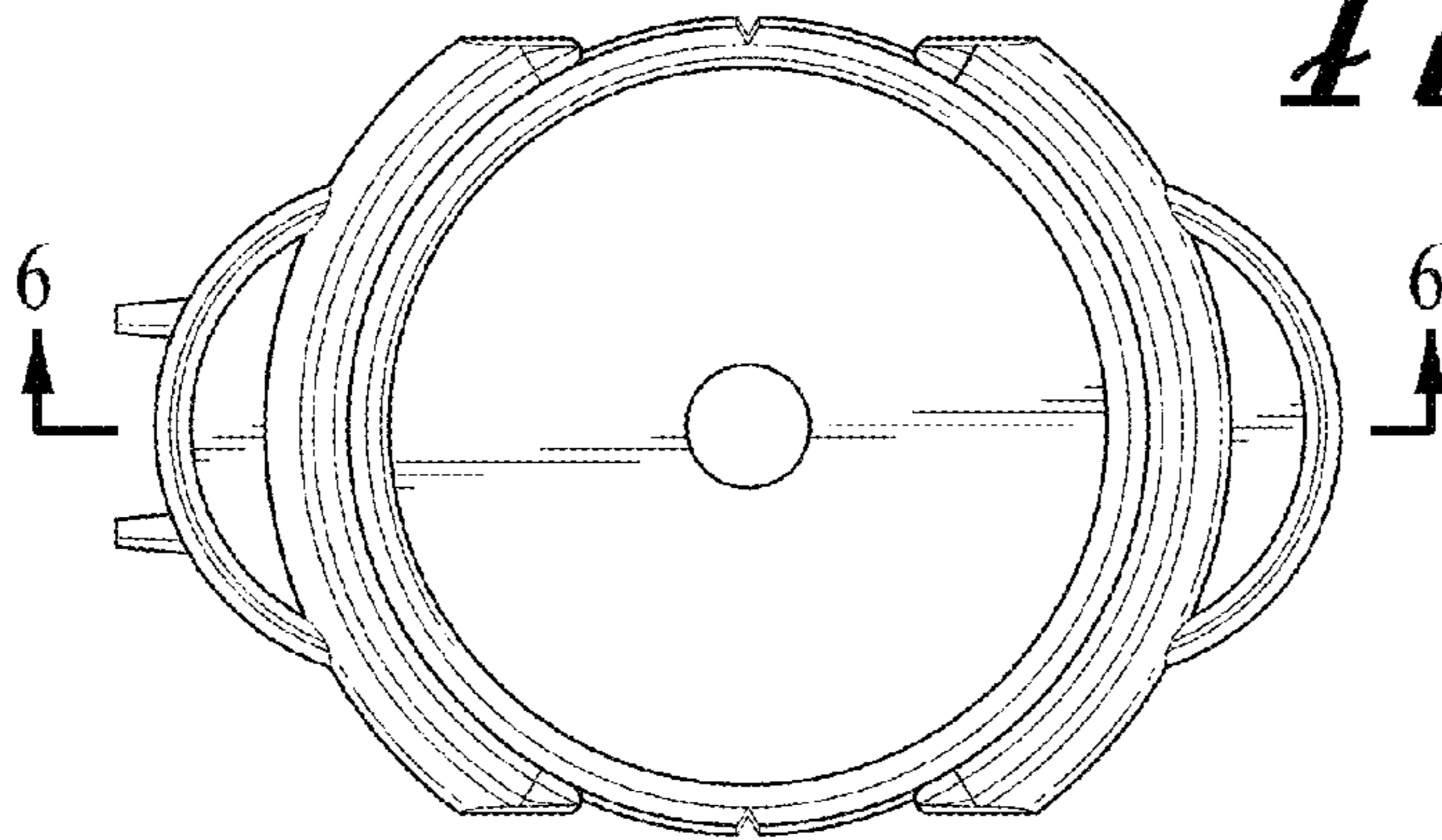


FIG. 2

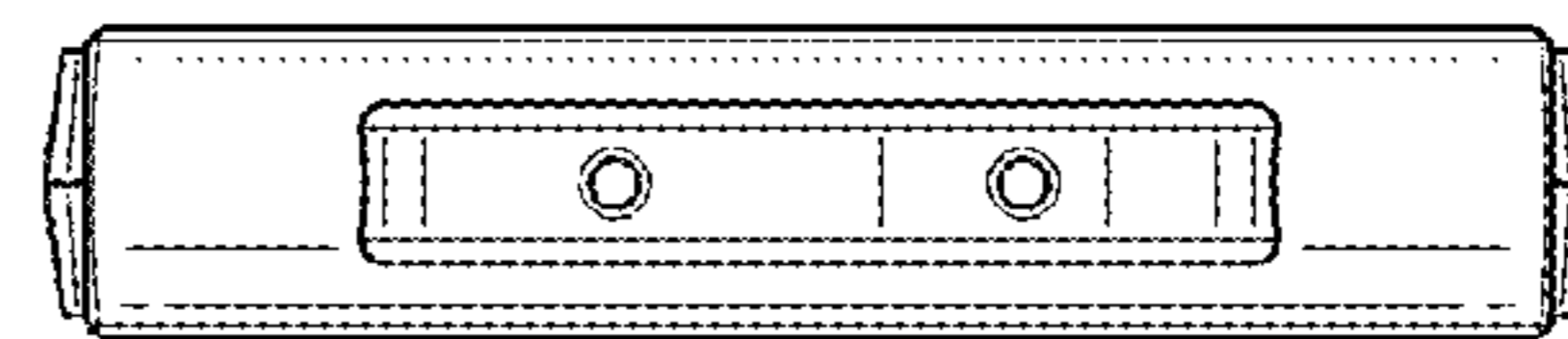


FIG. 4

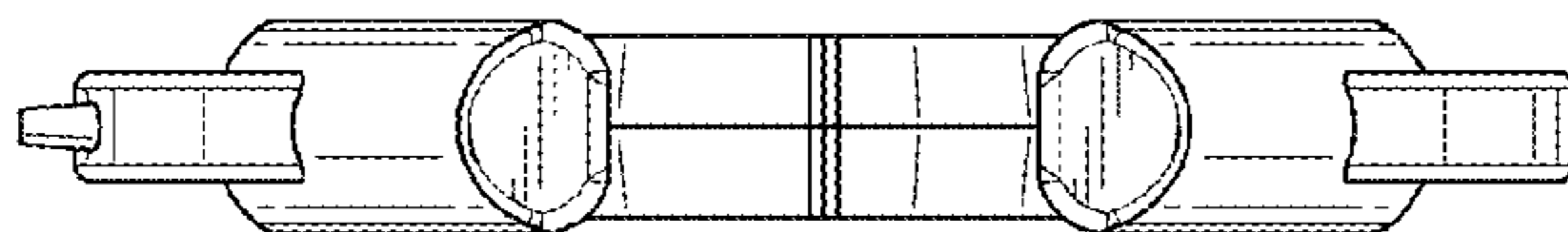


FIG. 3

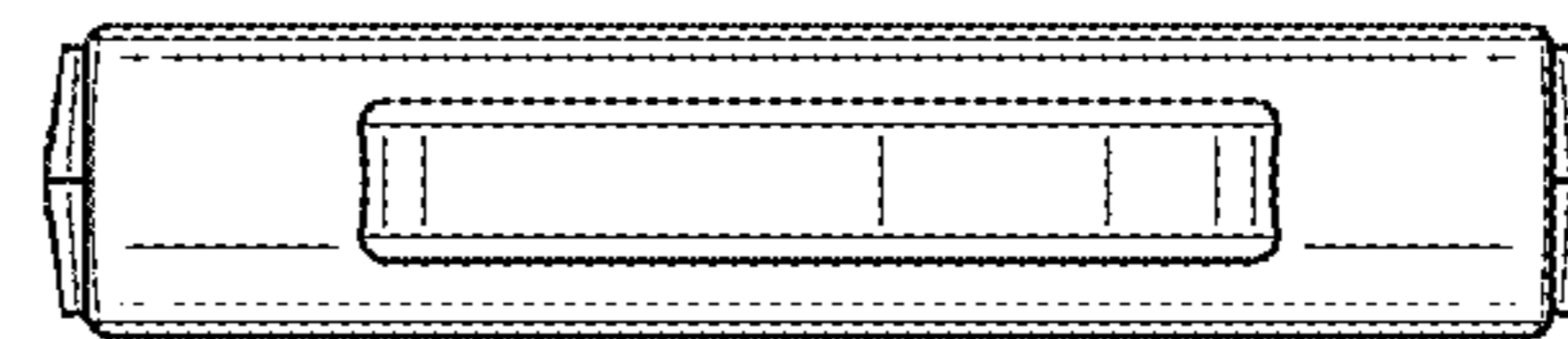


FIG. 5

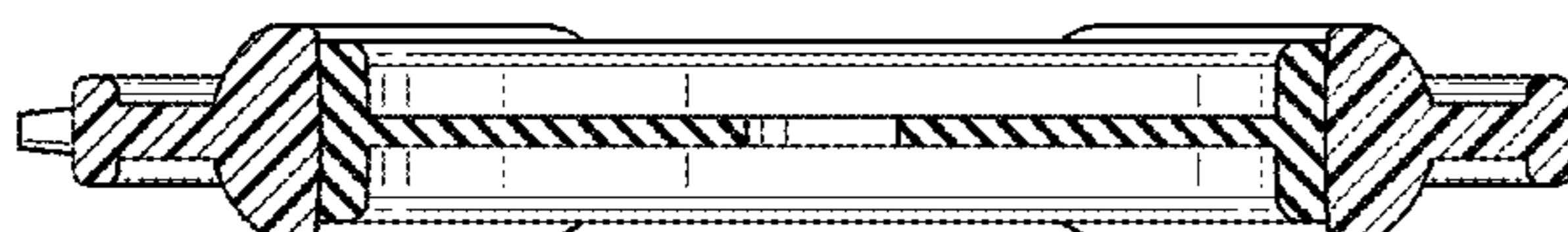


FIG. 6

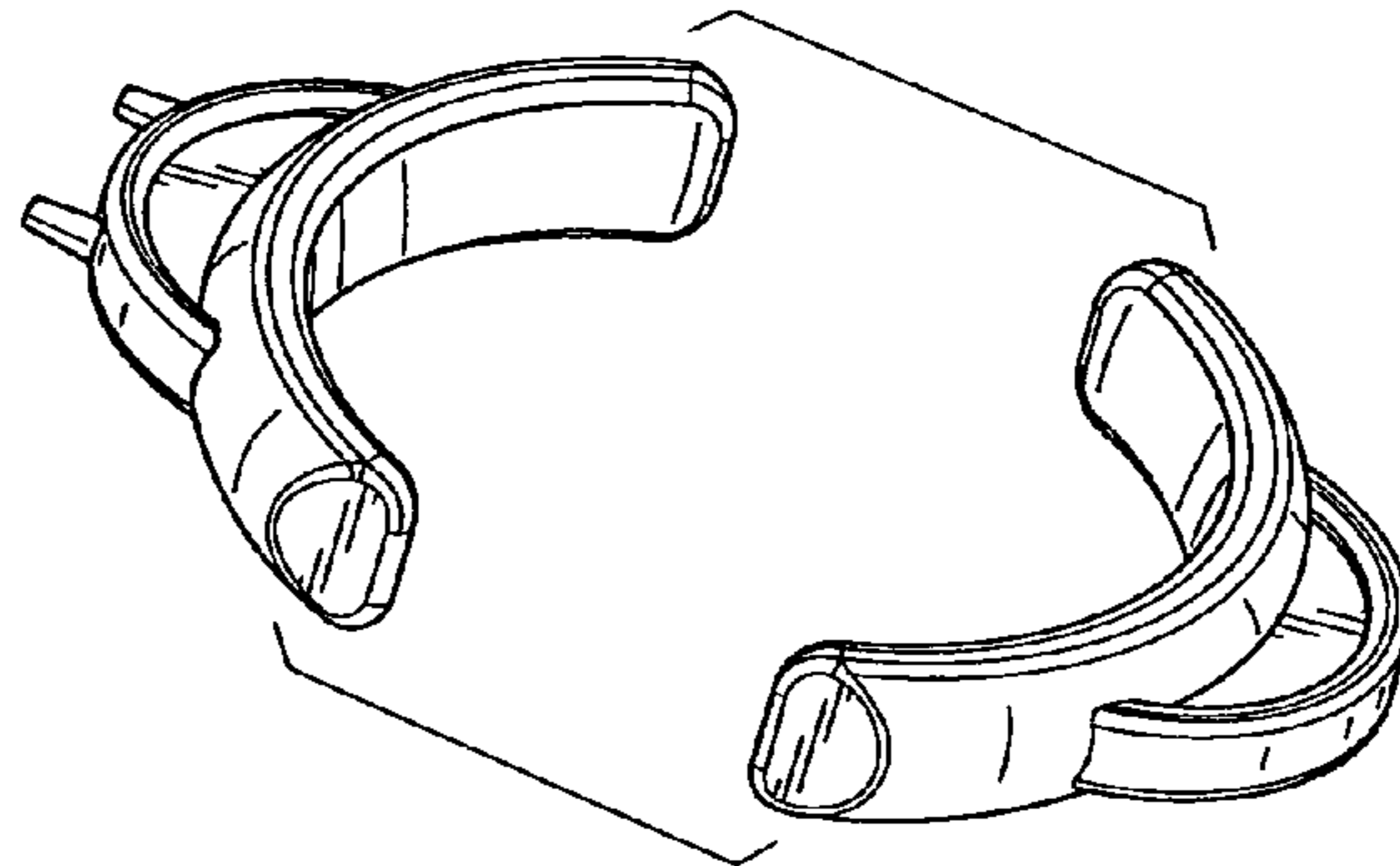


Fig. 7

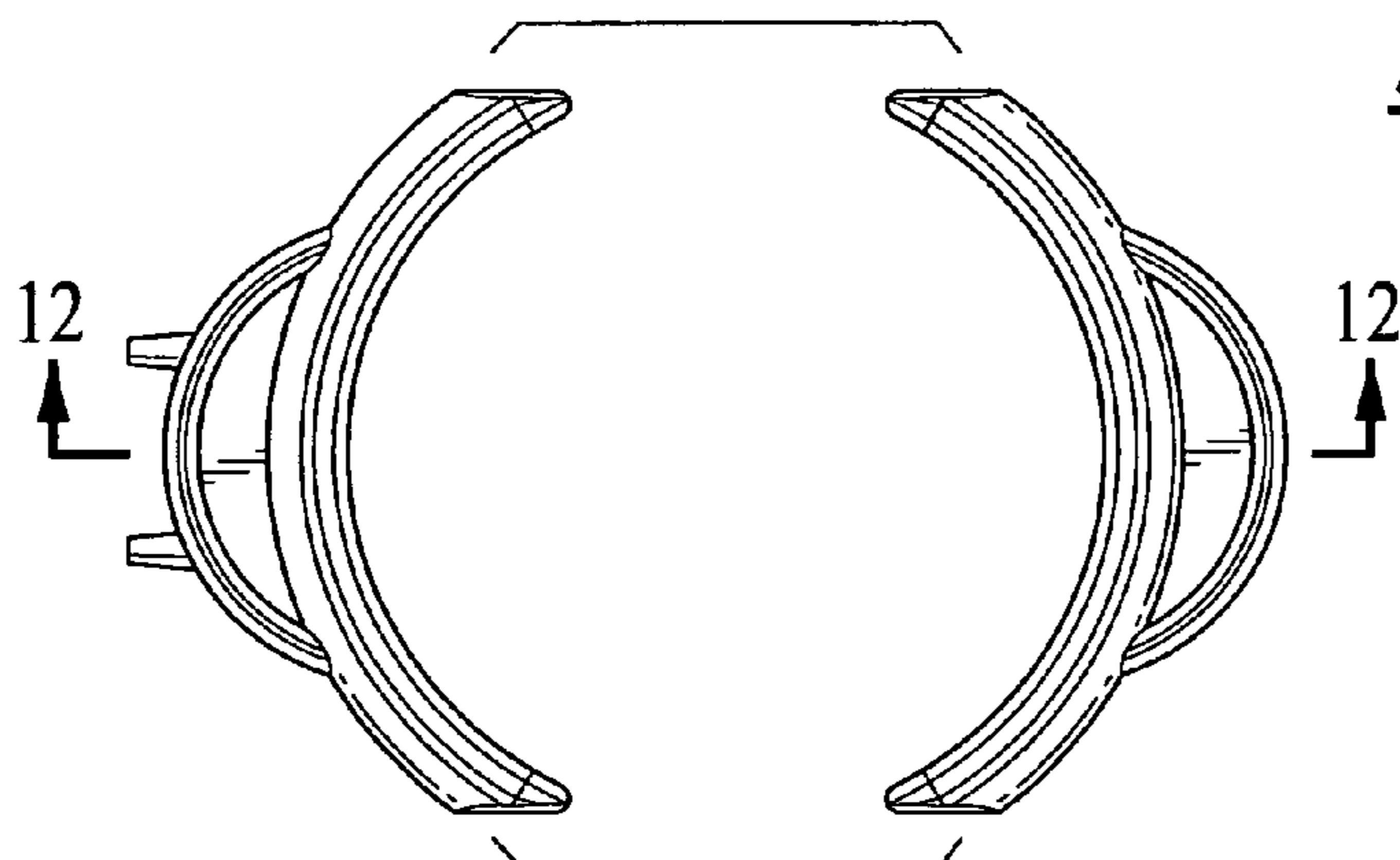


Fig. 8

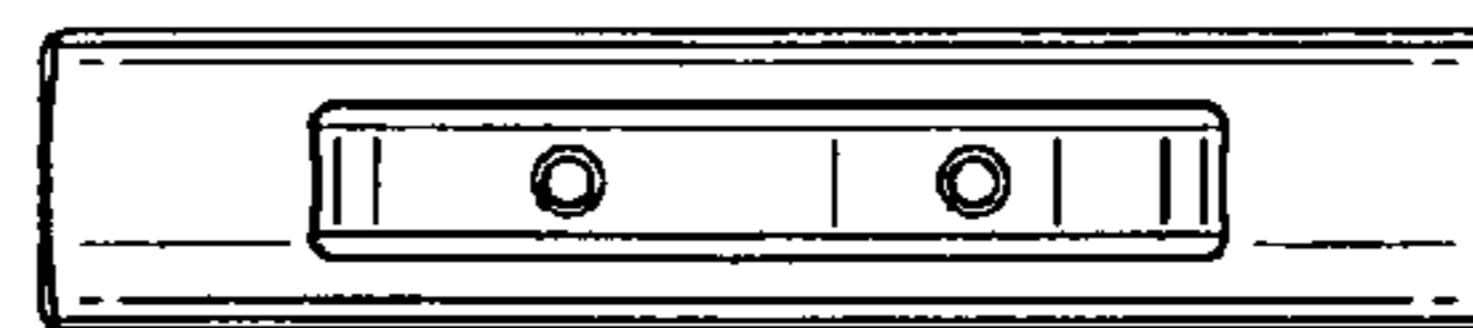


Fig. 10



Fig. 9

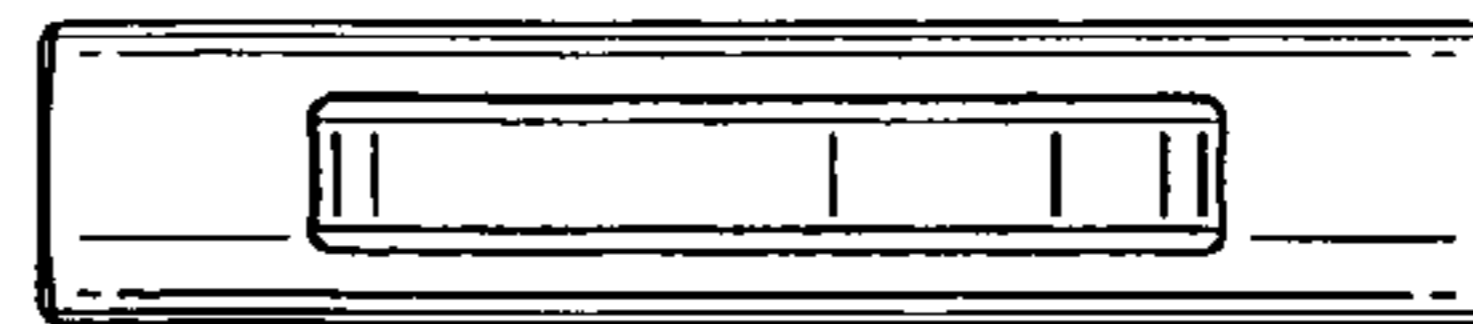


Fig. 11

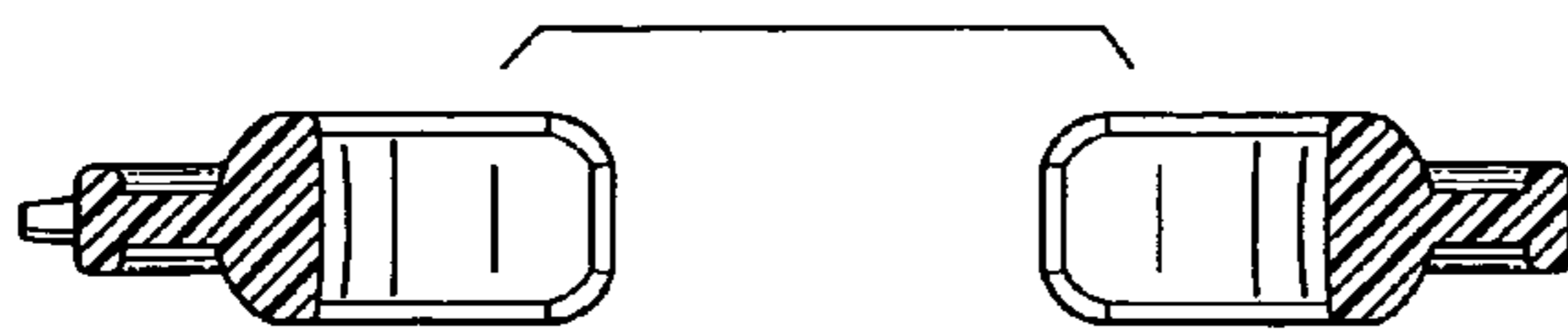


Fig. 12