



US00D679011S

(12) **United States Design Patent**
Kitayama et al.

(10) **Patent No.:** **US D679,011 S**
(45) **Date of Patent:** **** Mar. 26, 2013**

(54) **HANDLE OF SURGICAL INSTRUMENT**

(75) Inventors: **Tadashi Kitayama**, Sagamihara (JP);
Eiji Murakami, Hachioji (JP); **Kenji Tajima**, Hachioji (JP); **Chikayoshi Meguro**, Hachioji (JP); **Reisuke Osada**, Hachioji (JP)

(73) Assignee: **Olympus Medical Systems Corp.**, Tokyo (JP)

(**) Term: **14 Years**

(21) Appl. No.: **29/419,445**

(22) Filed: **Apr. 27, 2012**

(30) **Foreign Application Priority Data**

Oct. 31, 2011 (JP) 2011-025218

(51) **LOC (9) Cl.** **24-02**

(52) **U.S. Cl.** **D24/133**

(58) **Field of Classification Search** D24/133,
D24/137, 138, 143, 144, 145, 146, 147, 148,
D24/149; D8/51, 57, 107; 606/1, 80, 85,
606/167, 169, 170, 171, 176, 180; 604/22,
604/27

See application file for complete search history.

(56) **References Cited**

U.S. PATENT DOCUMENTS

D354,564 S * 1/1995 Medema D24/145
5,782,749 A * 7/1998 Riza 600/117
D416,089 S * 11/1999 Barton et al. D24/145
6,460,749 B1 * 10/2002 Levinson et al. 227/180.1
D502,994 S * 3/2005 Blake, III D24/145
D594,983 S * 6/2009 Price et al. D24/145

D618,797 S * 6/2010 Price et al. D24/145
D627,066 S * 11/2010 Romero D24/133
D631,155 S * 1/2011 Peine et al. D24/133
D631,965 S * 2/2011 Price et al. D24/145
D637,288 S * 5/2011 Houghton D24/133
D640,789 S * 6/2011 Peine et al. D24/133
2003/0135224 A1 * 7/2003 Blake, III 606/143

* cited by examiner

Primary Examiner — Bridget L Eland

(74) *Attorney, Agent, or Firm* — Oliff & Berridge, PLC

(57) **CLAIM**

The ornamental design for the handle of surgical instrument, as shown and described.

DESCRIPTION

FIG. 1 is a front, top and right side perspective view of a handle of surgical instrument, showing our new design;

FIG. 2 is a front elevational view thereof;

FIG. 3 is a rear elevational view thereof;

FIG. 4 is a top plan view thereof;

FIG. 5 is a bottom plan view thereof;

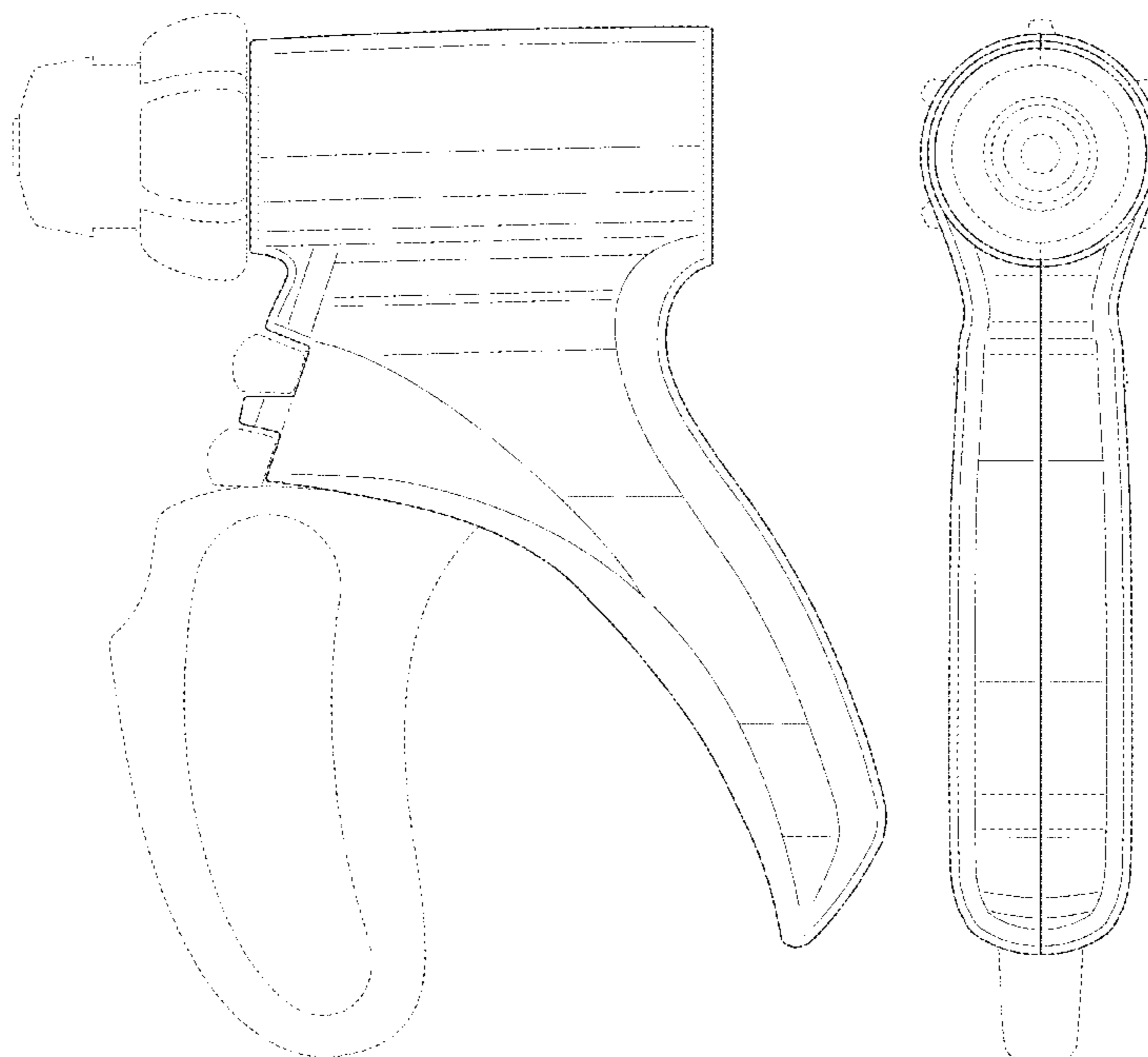
FIG. 6 is a left side elevational view thereof;

FIG. 7 is a right side elevational view thereof; and,

FIG. 8 is a cross section view thereof; taken along the line 8-8 in FIG. 4, showing only the housing structure.

The broken lines, shown in the FIG. 1-7 views, immediately adjacent the claimed areas represent the bounds of the claimed design while all other broken lines are directed to environment and are for illustrative purposes only. To illustrate the exterior peripheral shape of the article in cross section, the broken lines shown in FIG. 8 are for the purpose of illustrating unclaimed portions of the handle of surgical instrument. The broken lines form no part of the claimed design.

1 Claim, 6 Drawing Sheets



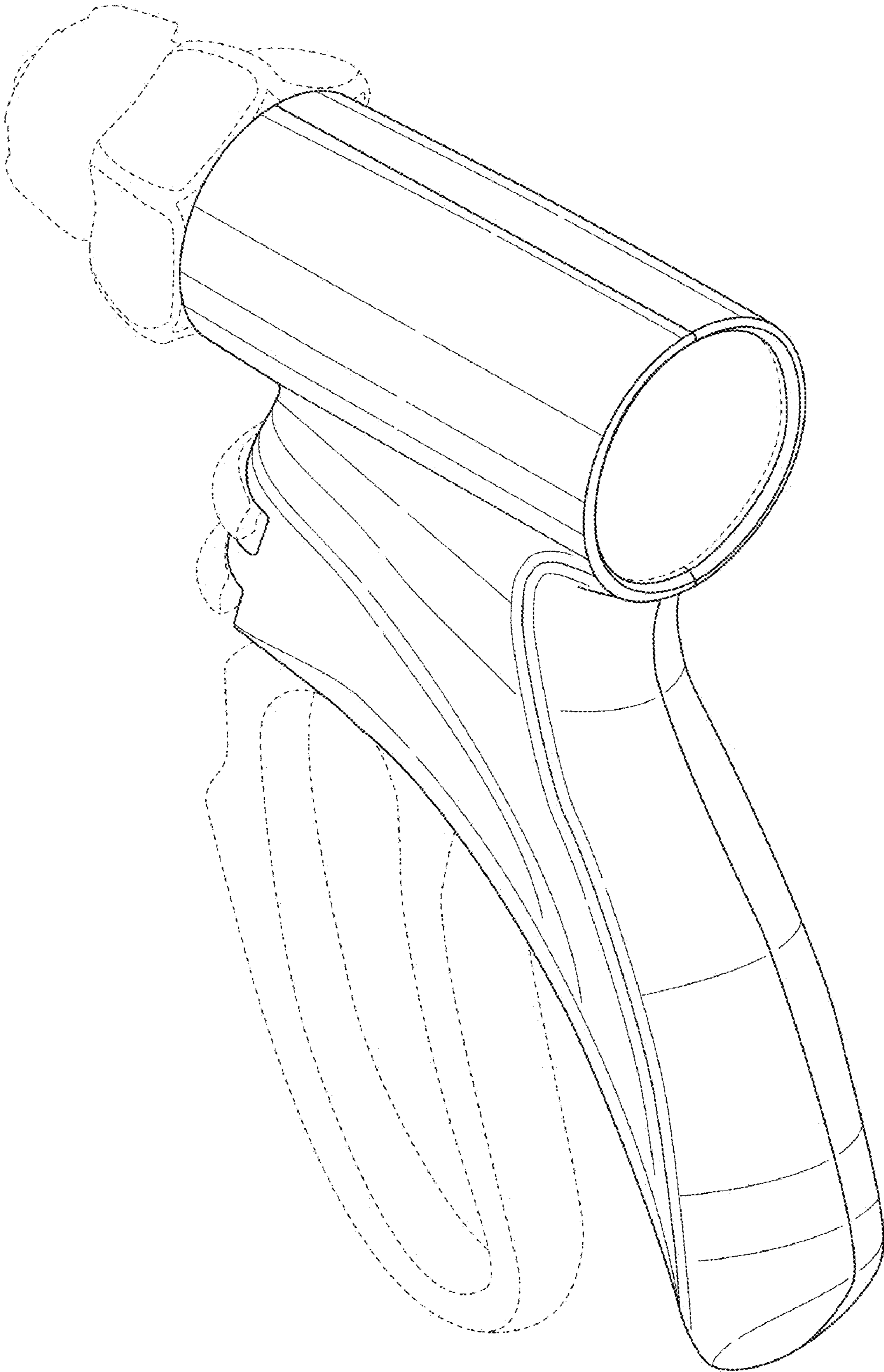


FIG. 1

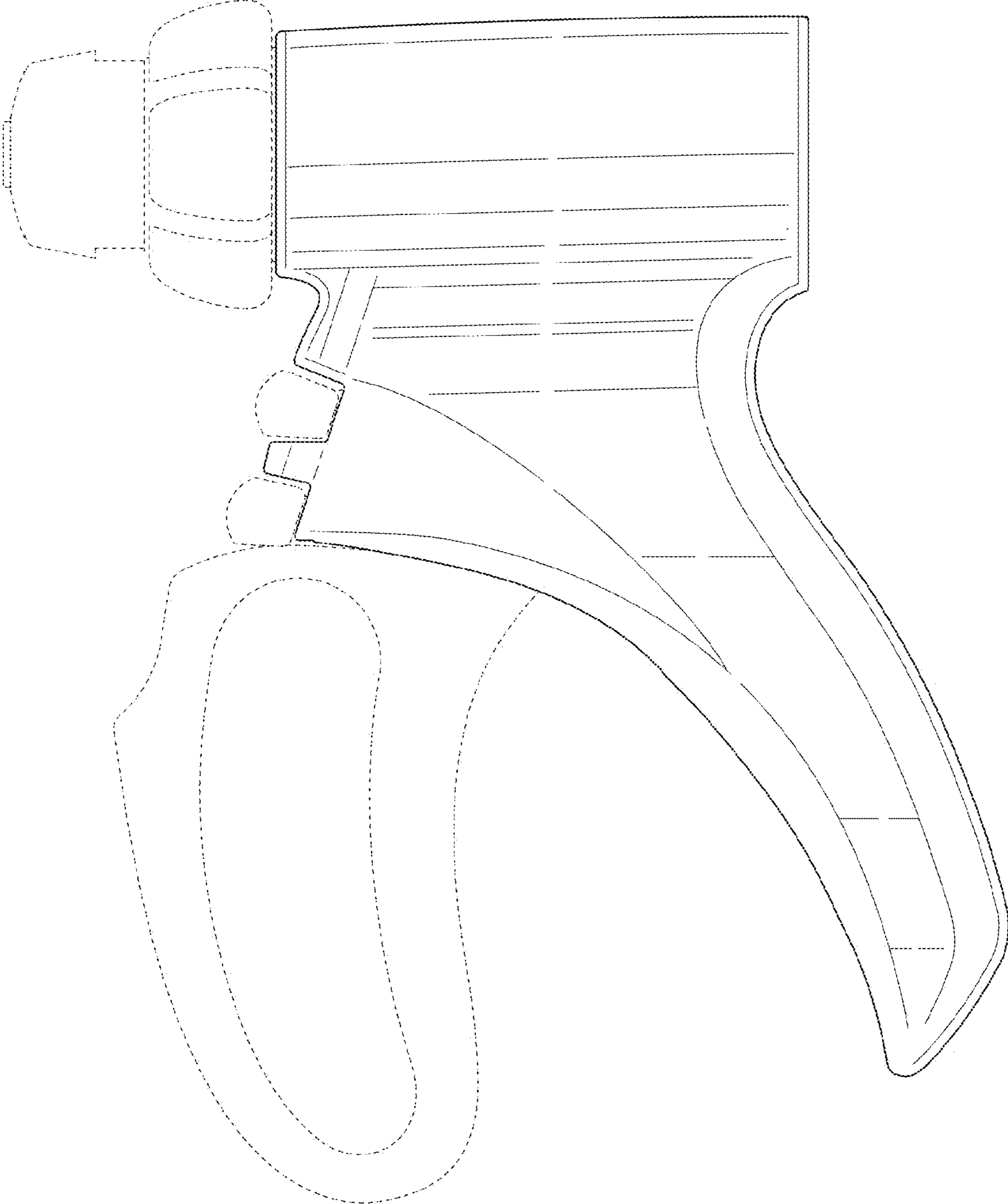


FIG. 2

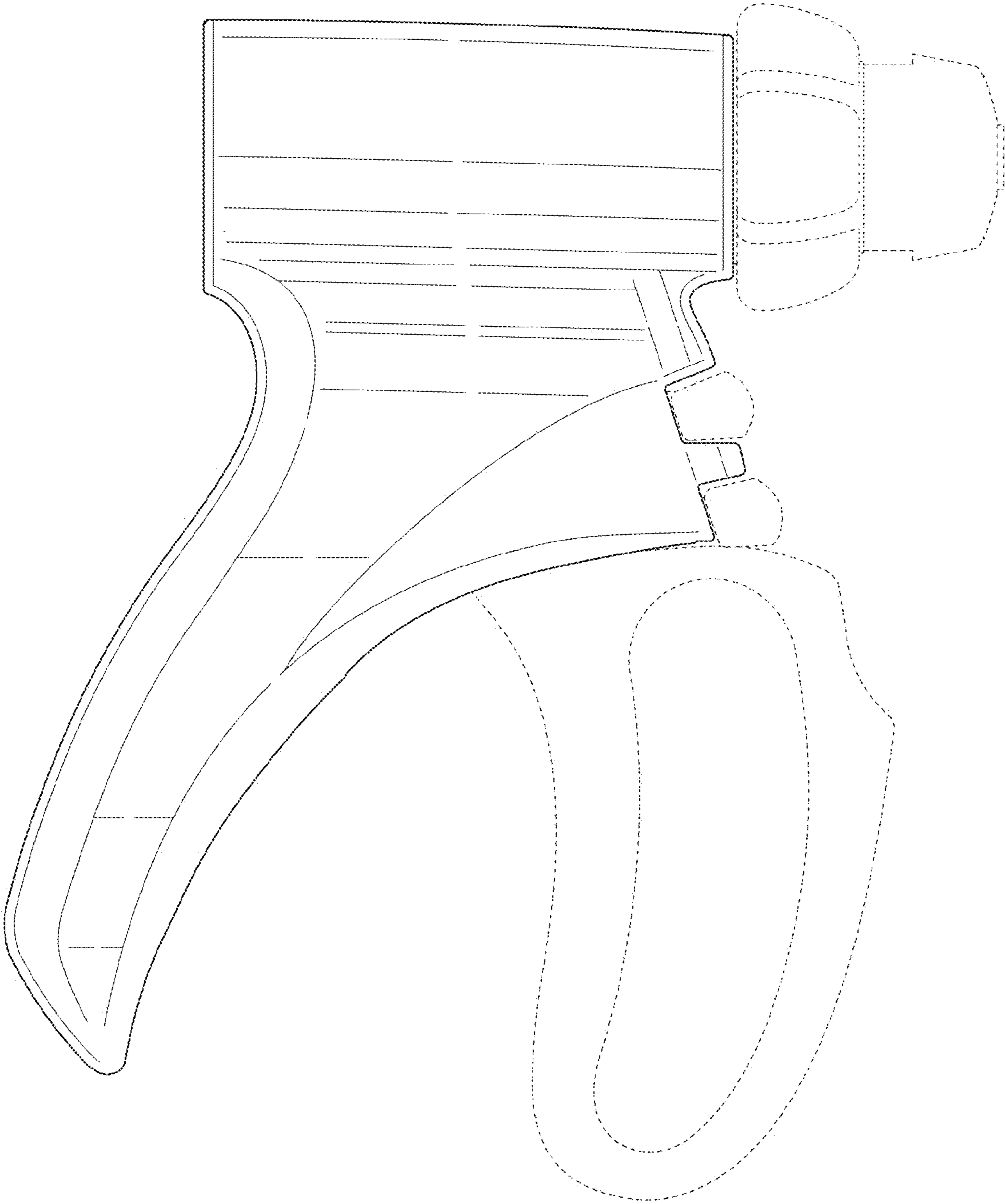


FIG. 3

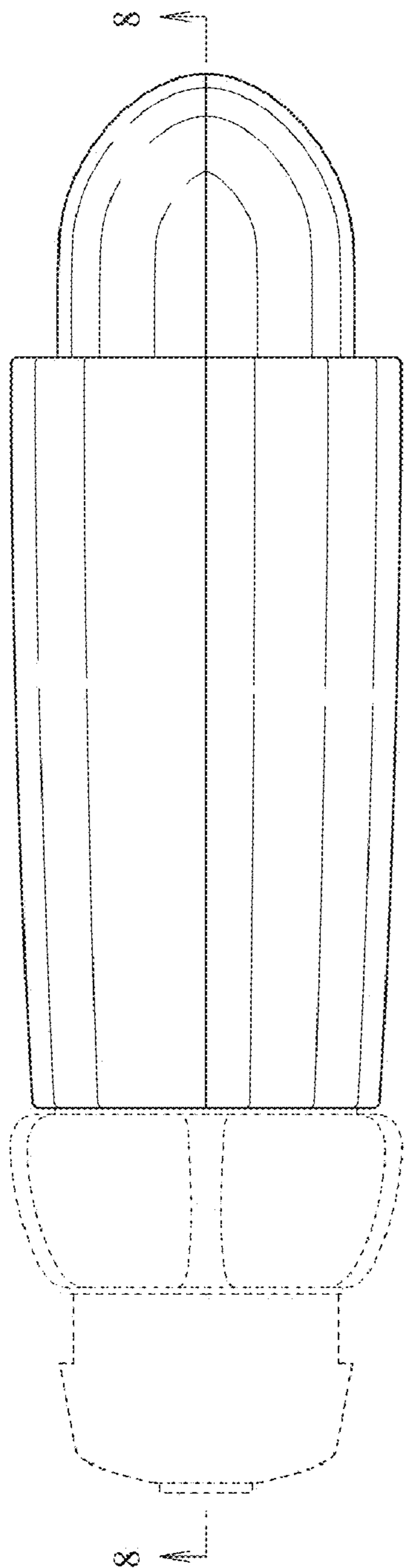


FIG. 4

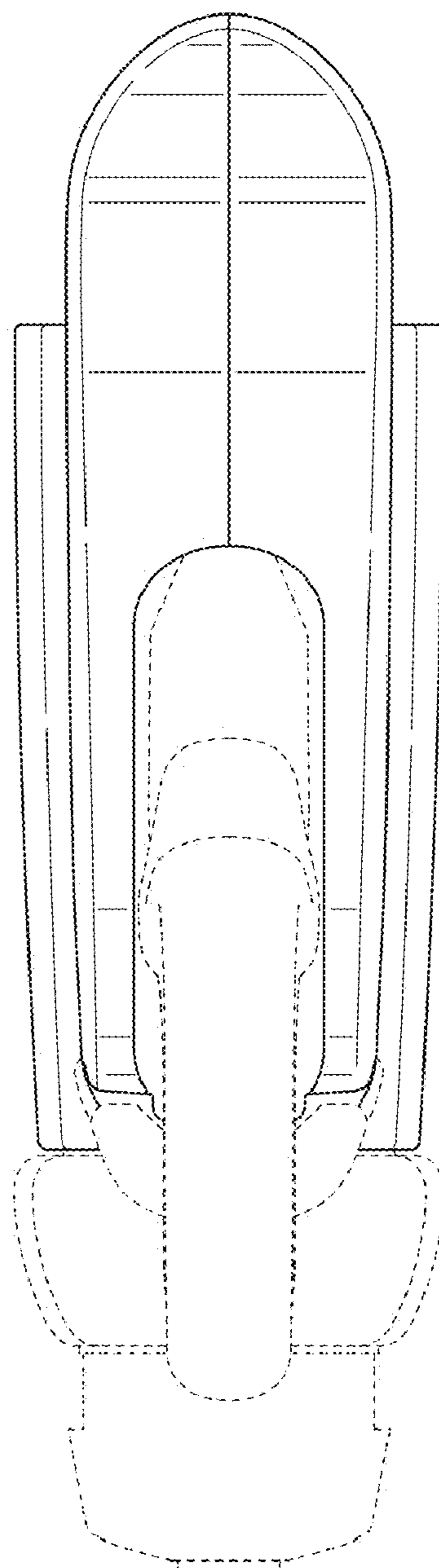


FIG. 5

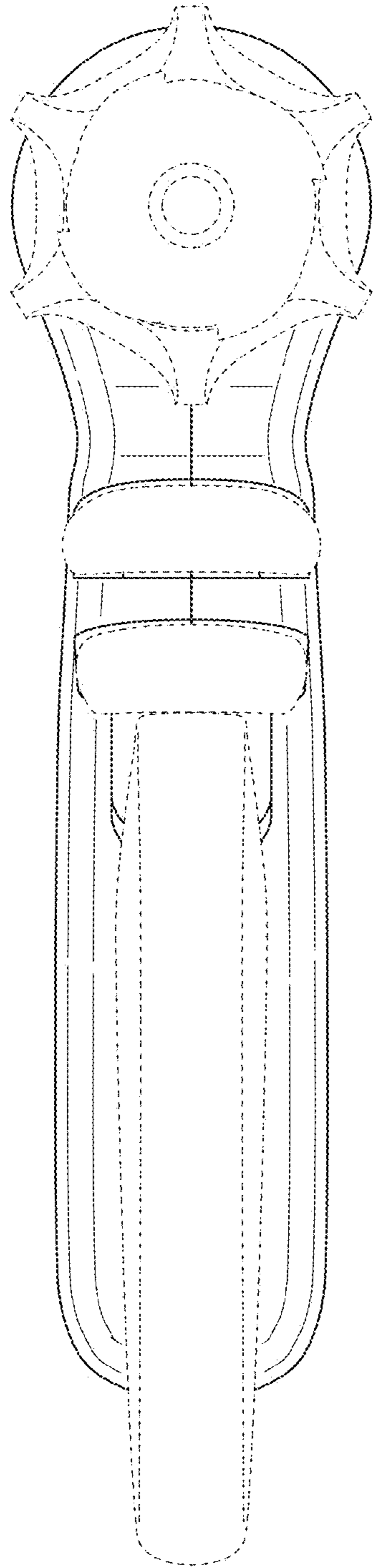


FIG. 6

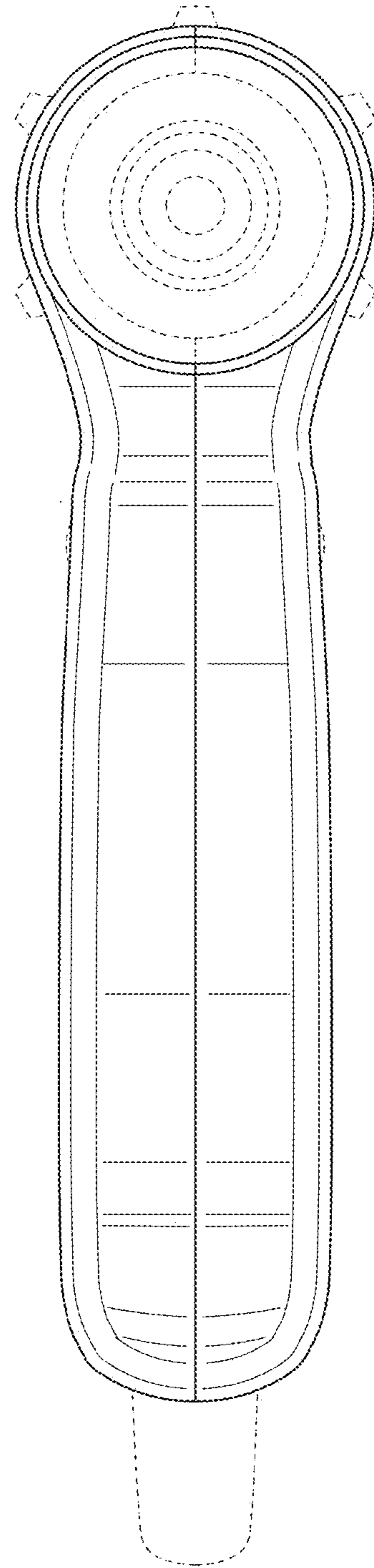


FIG. 7

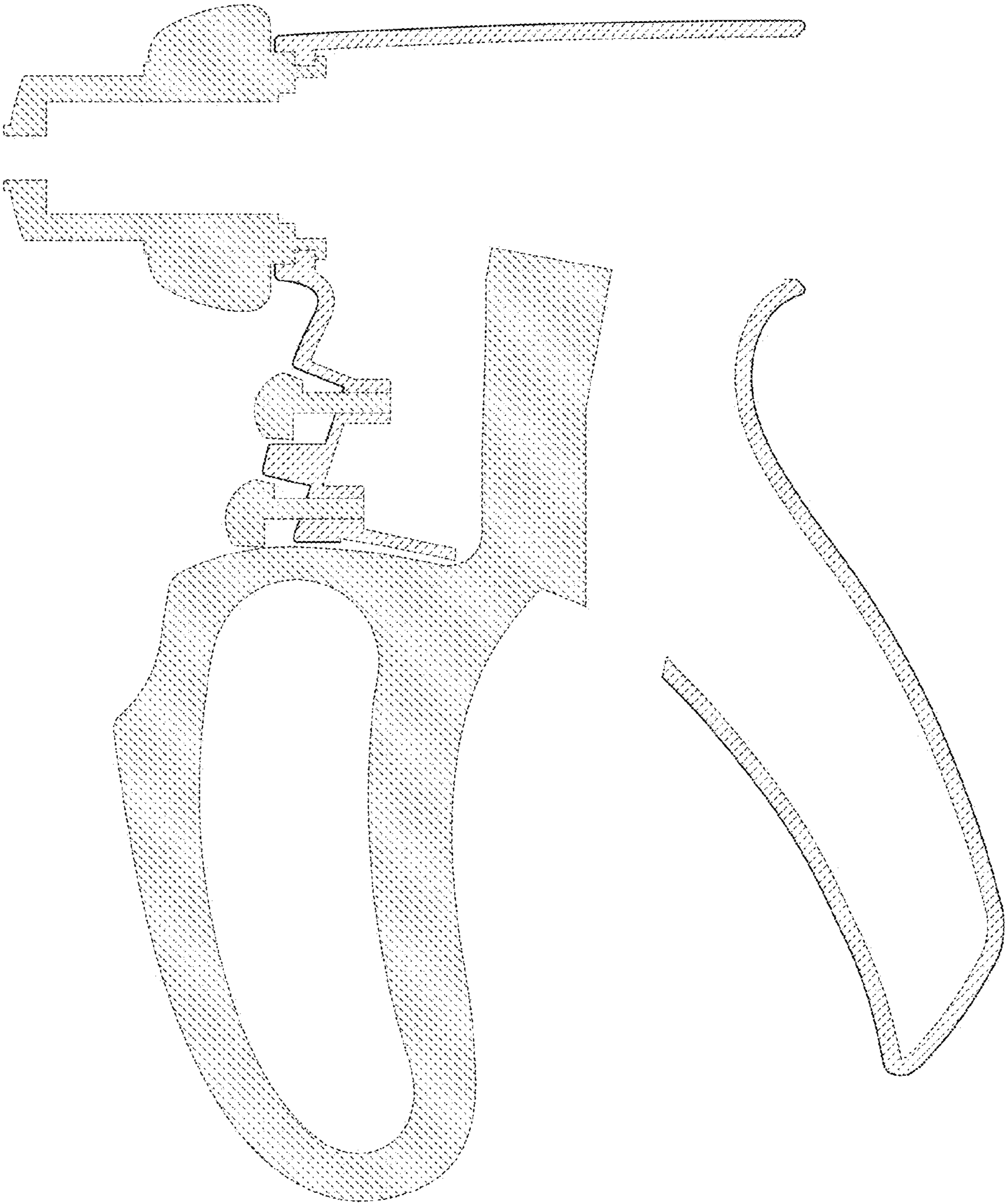


FIG.8