



US00D679009S

(12) **United States Design Patent**  
**Amborn et al.**

(10) **Patent No.:** **US D679,009 S**  
(45) **Date of Patent:** **\*\* Mar. 26, 2013**

(54) **CONNECTOR**

(75) Inventors: **Chad Amborn**, NE Minneapolis, MN (US); **Geoff Clark**, Lempster, NH (US); **Renee Robert**, Shoreview, MN (US)

(73) Assignee: **Smiths Medical ASD, Inc.**, Rockland, MA (US)

(\*\*) Term: **14 Years**

(21) Appl. No.: **29/418,744**

(22) Filed: **Apr. 20, 2012**

(51) **LOC (9) Cl.** ..... **24-02**

(52) **U.S. Cl.** ..... **D24/129**

(58) **Field of Classification Search** ..... D24/112,  
D24/127, 129, 130; 604/533, 905, 523, 535,  
604/539, 247-249, 250

See application file for complete search history.

(56) **References Cited**

**U.S. PATENT DOCUMENTS**

D268,871	S	*	5/1983	Benham et al.	.....	D24/129
D314,050	S	*	1/1991	Sone	.....	D24/129
D625,003	S	*	10/2010	Stephens	.....	D24/129
D625,004	S	*	10/2010	McGrady et al.	.....	D24/129
7,998,134	B2	*	8/2011	Fangrow et al.	.....	604/535

D644,731	S	*	9/2011	Fangrow, Jr.	.....	D24/129
2008/0086087	A1	*	4/2008	Spohn et al.	.....	604/151
2008/0193211	A1	*	8/2008	Burton et al.	.....	403/332
2008/0287919	A1	*	11/2008	Kimball	.....	604/533
2011/0137294	A1	*	6/2011	Calimeri et al.	.....	604/533
2012/0123392	A1	*	5/2012	McKinnon et al.	.....	604/533

\* cited by examiner

*Primary Examiner* — Eric Goodman

(74) *Attorney, Agent, or Firm* — Louis Woo

(57) **CLAIM**

The ornamental design for a connector, as shown and described.

**DESCRIPTION**

FIG. 1 is a perspective view of the connector of the instant invention;

FIG. 2 is another perspective view of the inventive connector;

FIG. 3 is yet another perspective view of the inventive connector looking from a second end thereof;

FIG. 4 is a first side view of the inventive connector;

FIG. 5 is the other side view of the inventive connector;

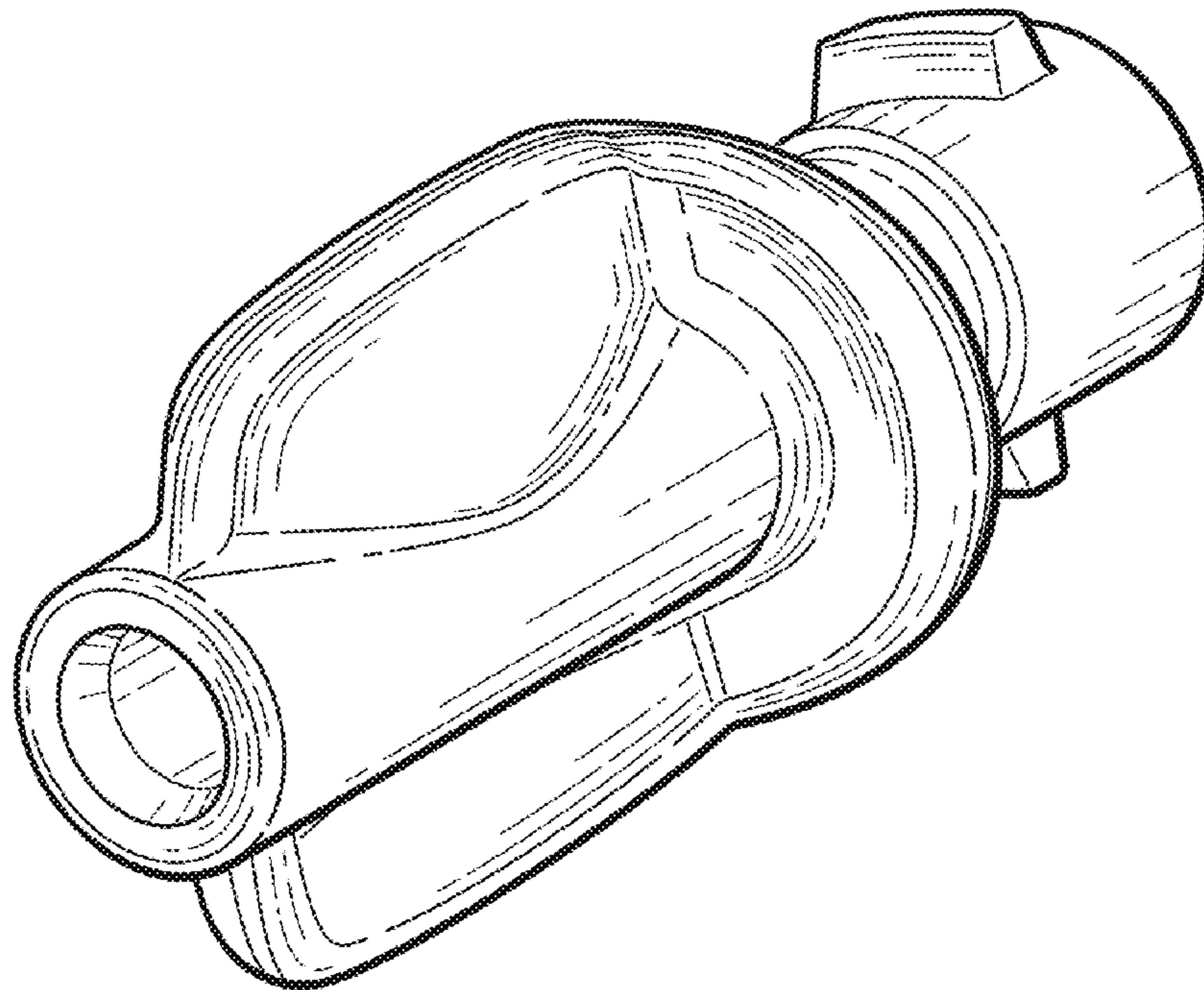
FIG. 6 is a top view of the inventive connector;

FIG. 7 is a bottom view of the inventive connector;

FIG. 8 is one end view of the inventive connector; and,

FIG. 9 is other end view of the inventive connector.

**1 Claim, 4 Drawing Sheets**



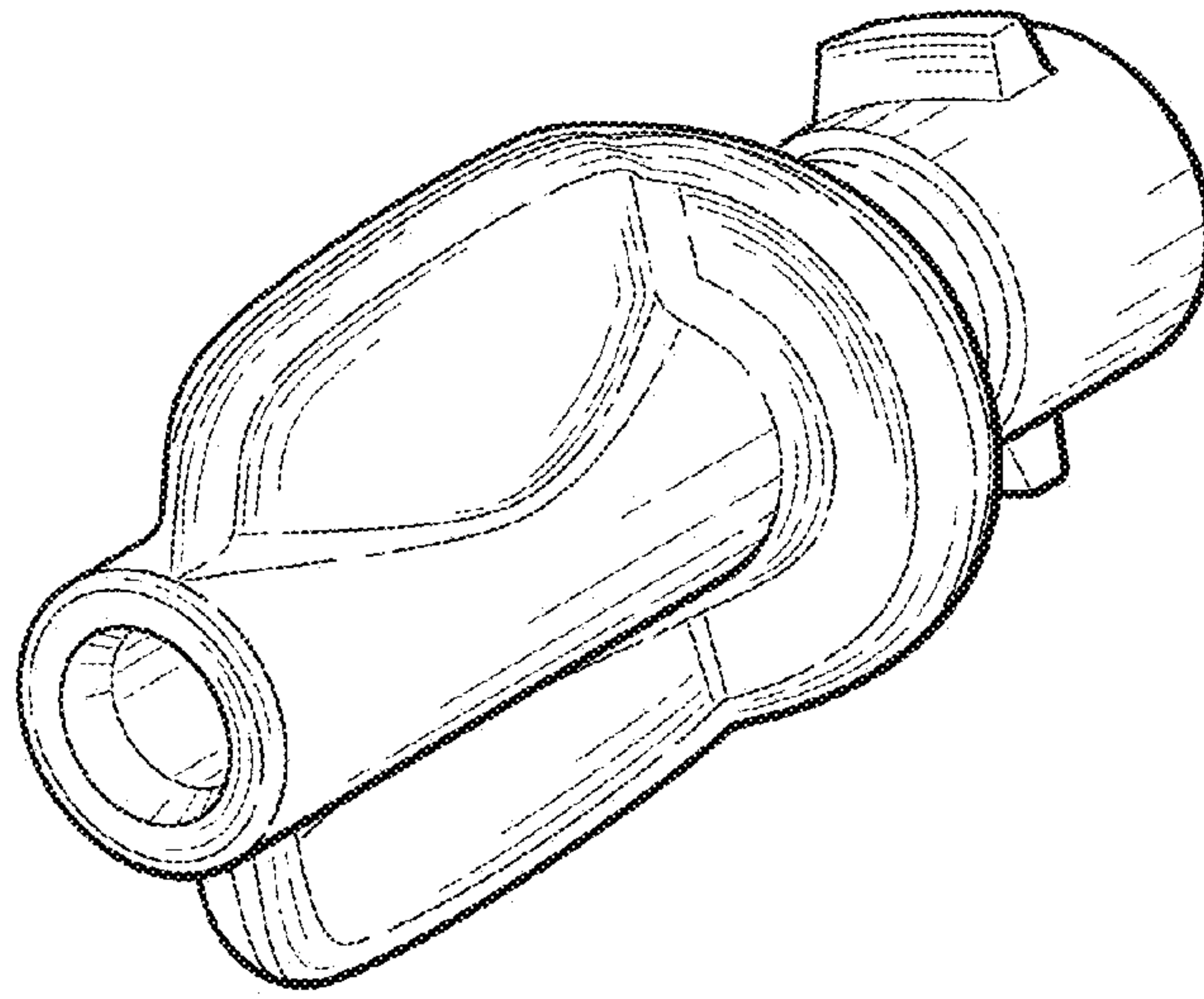


FIG. 1

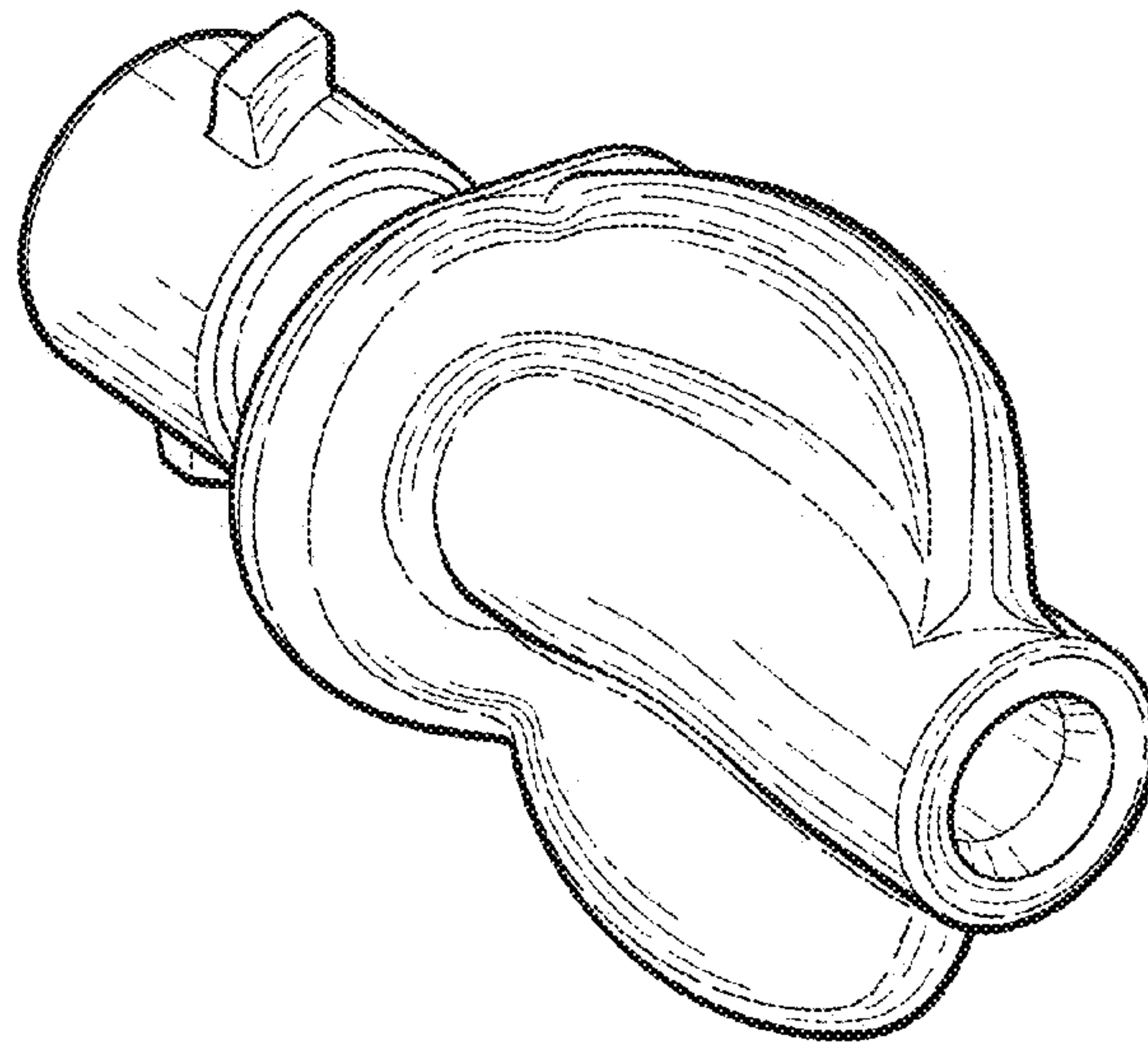


FIG. 2

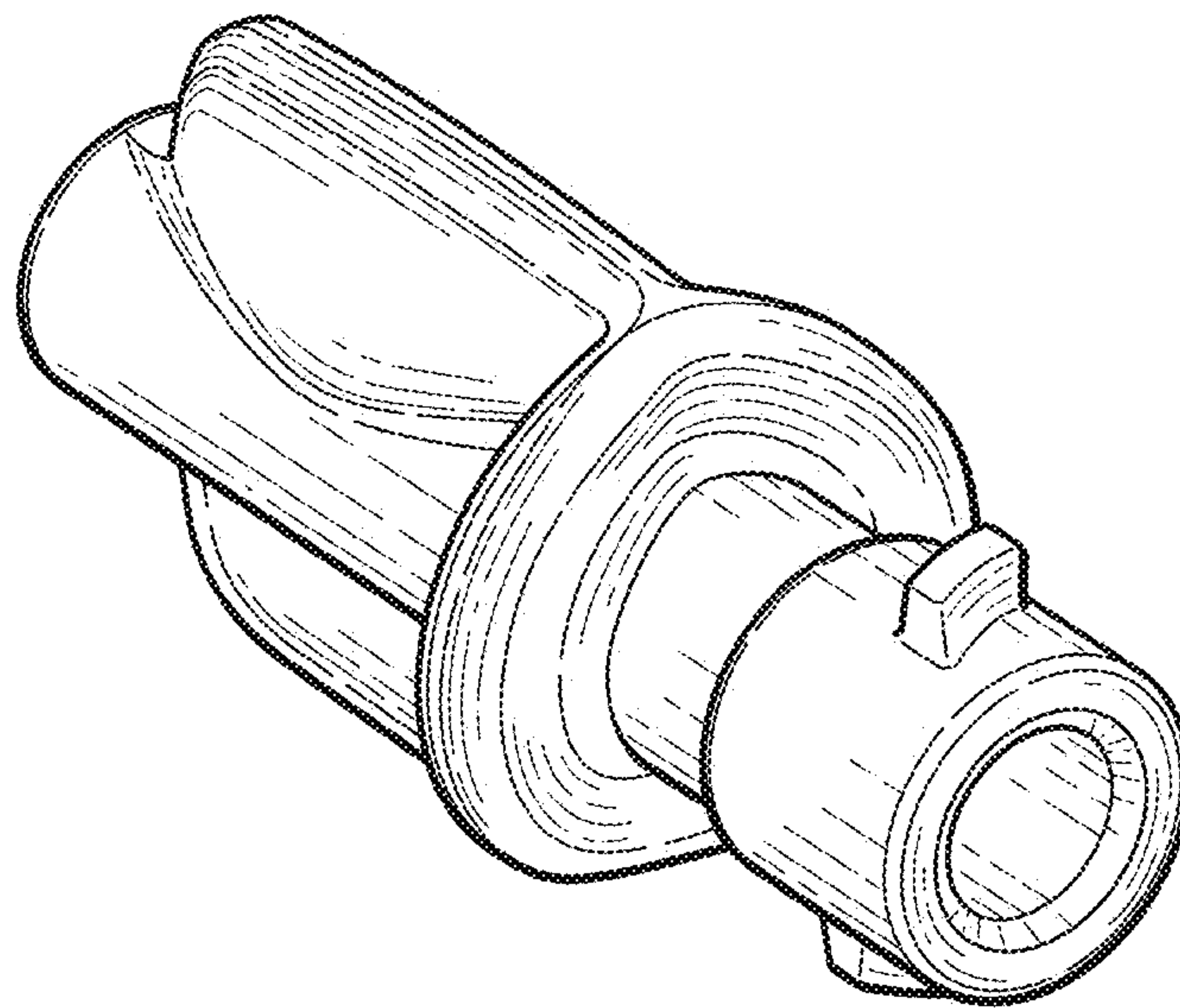


FIG. 3

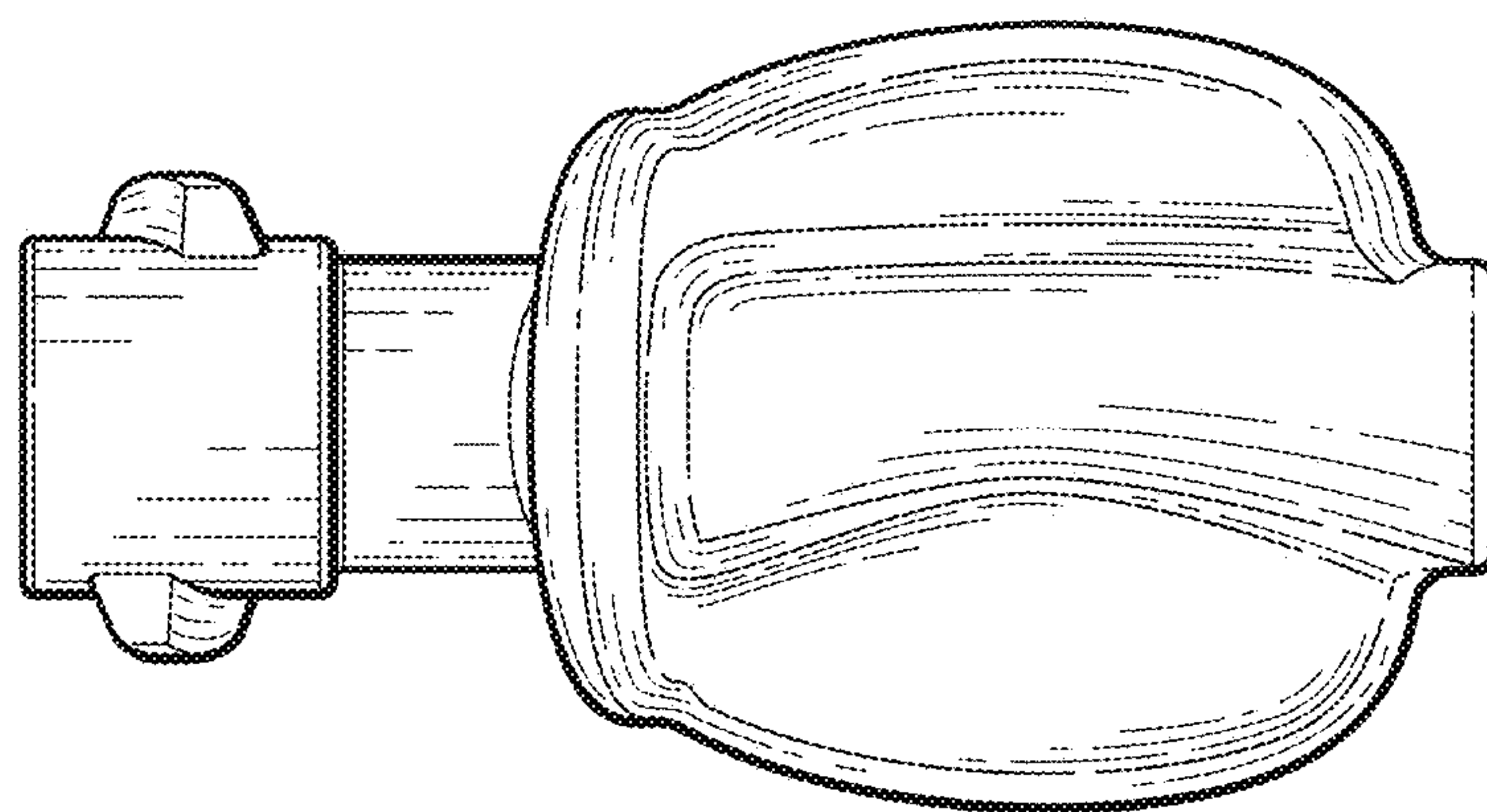


FIG. 4



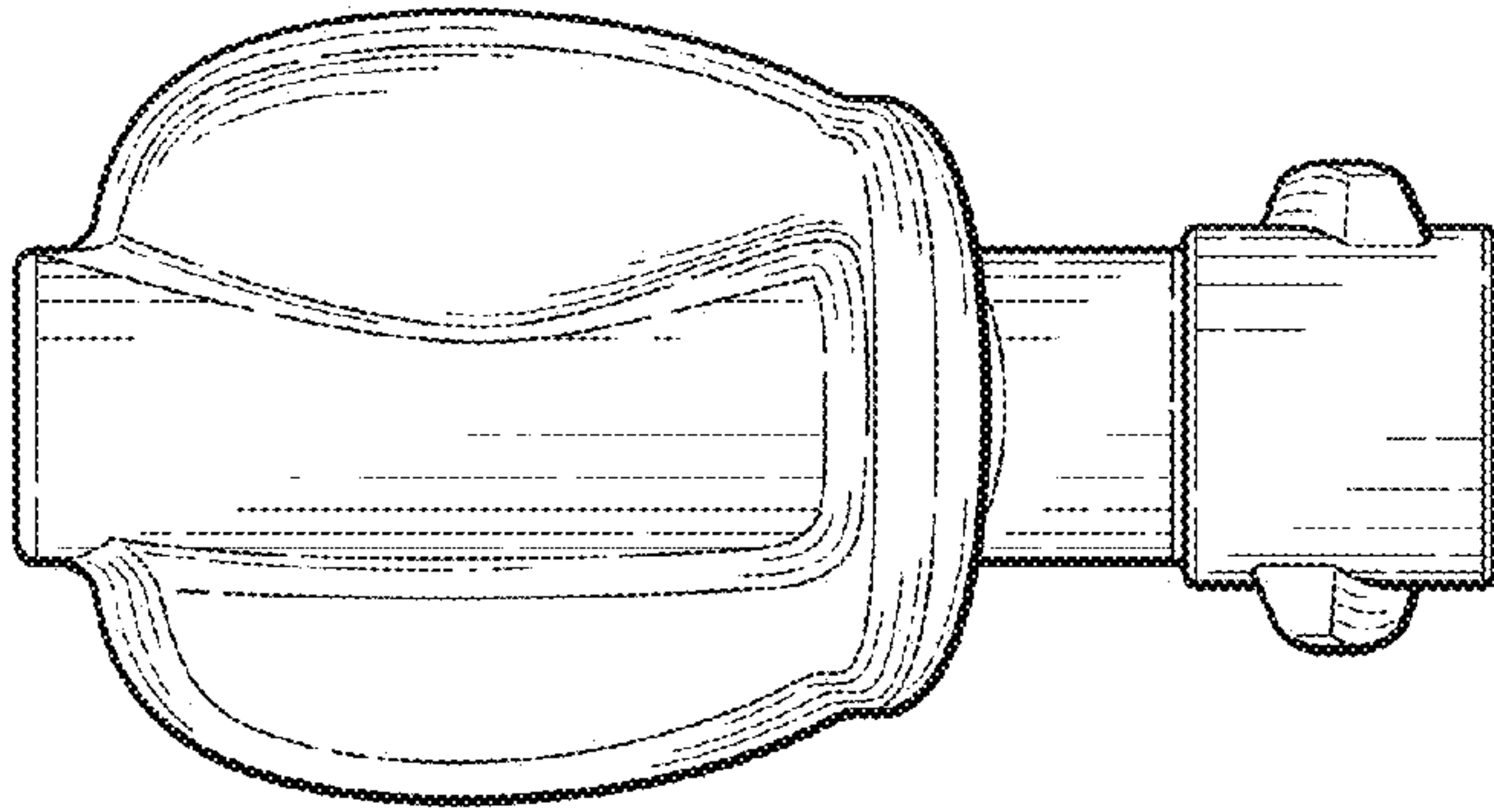


FIG. 5

FIG. 6

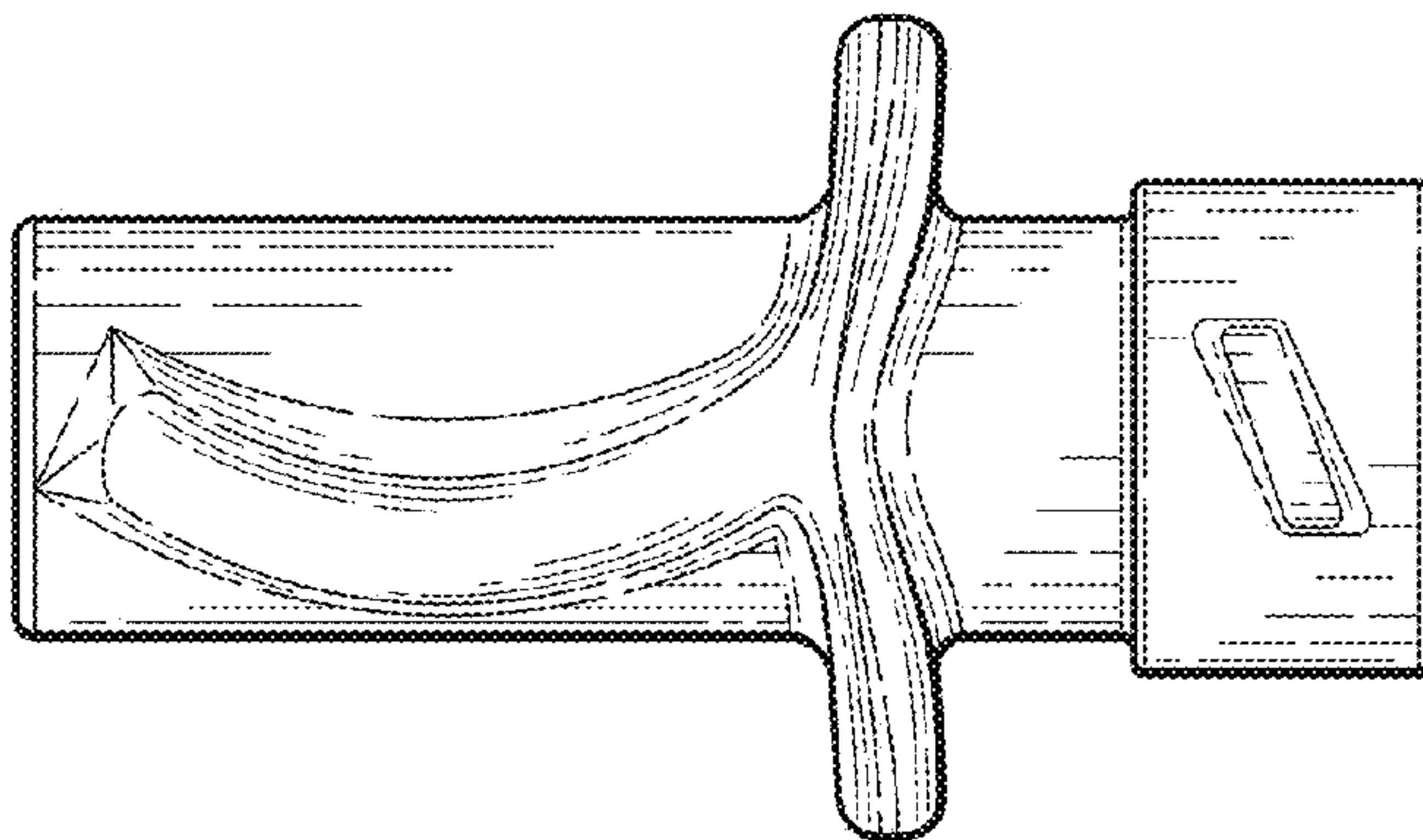
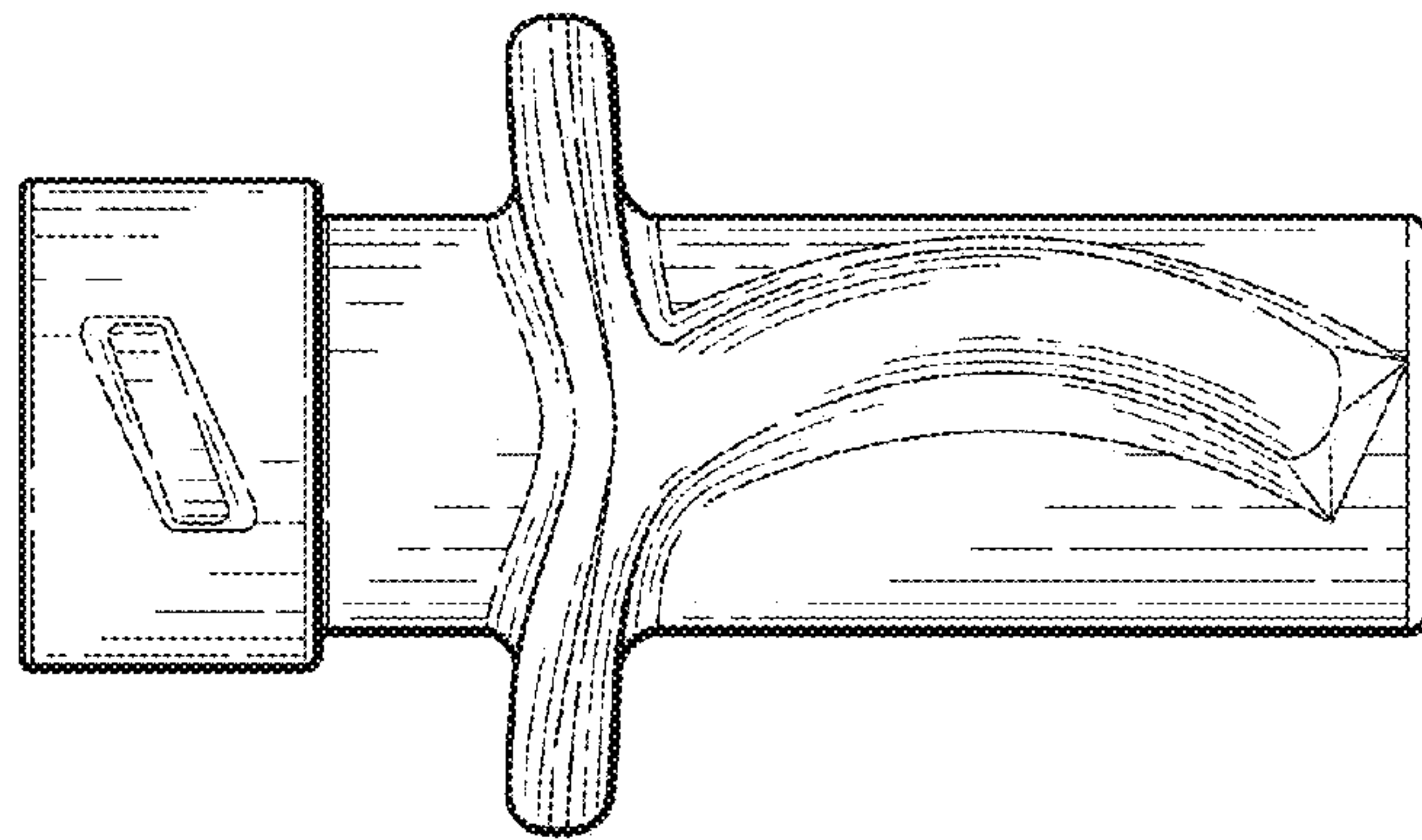


FIG. 7

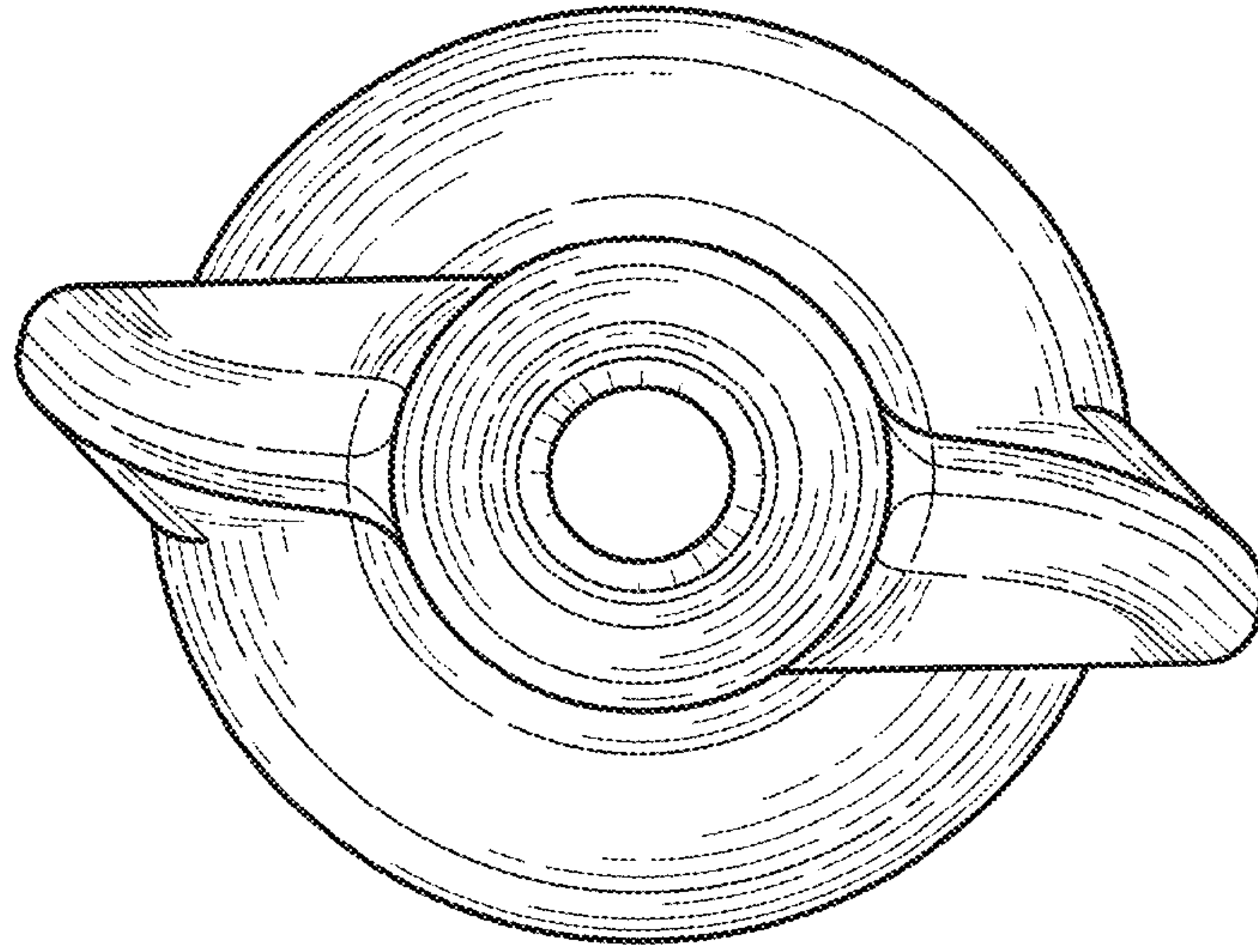


FIG. 8

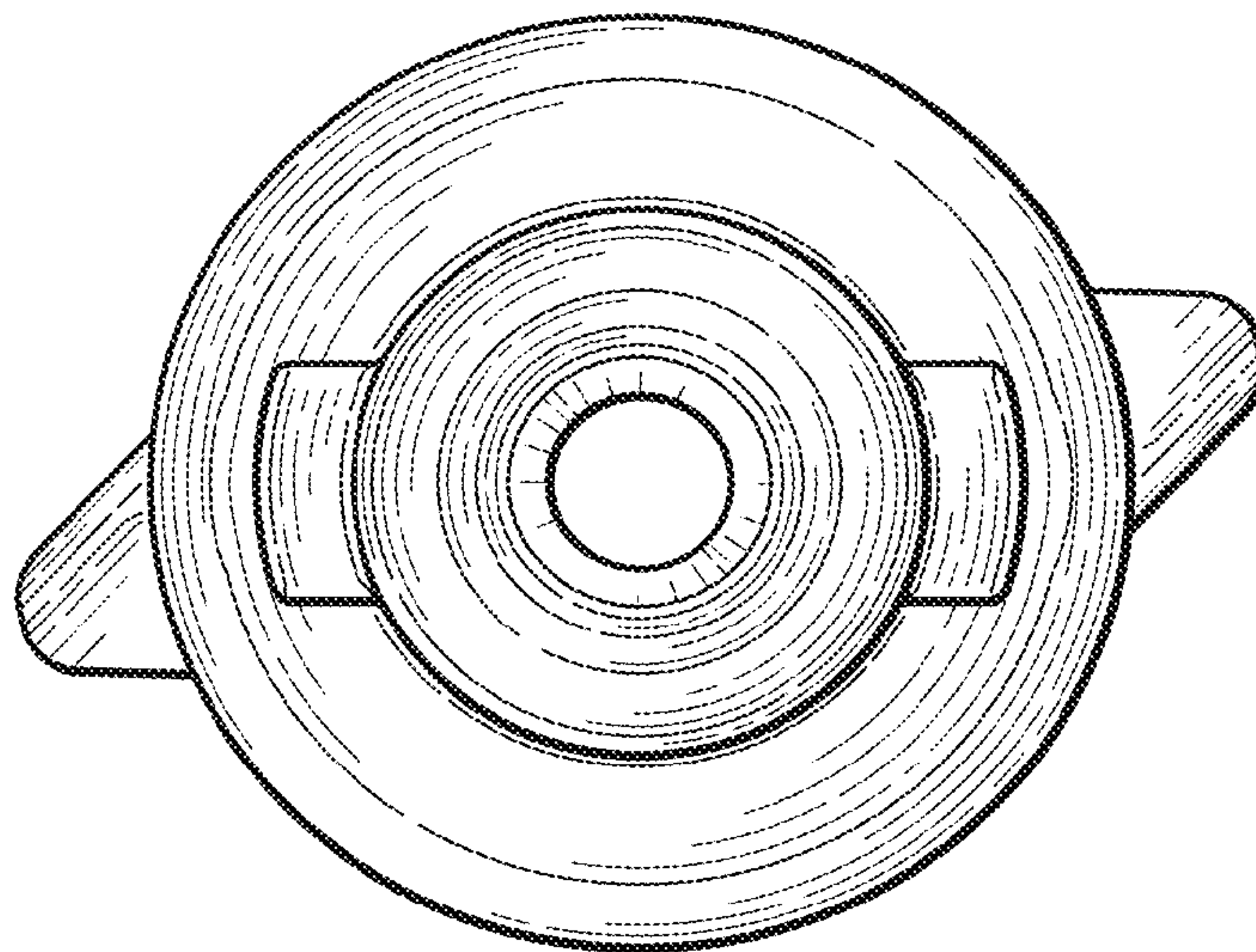


FIG. 9