



US00D679008S

(12) **United States Design Patent**
Schroeder et al.

(10) **Patent No.:** **US D679,008 S**
(45) **Date of Patent:** **** Mar. 26, 2013**

(54) **ENDOTRACHEAL TUBE ADAPTOR**
(75) Inventors: **Mark Schroeder**, Madison, WI (US);
Timothy Patrick Barry, Middleton, WI
(US); **Evan James Joyce**, Brookfield,
WI (US); **Ryan Ross Childs**, Ham Lake,
MN (US); **Ozair Iqbal Chaudhry**,
Dubai (UA)

(73) Assignee: **Remot Medical Innovation, LLC**,
Madison, WI (US)

(**) Term: **14 Years**

(21) Appl. No.: **29/382,814**

(22) Filed: **Jan. 7, 2011**

(51) **LOC (9) Cl.** **24-02**

(52) **U.S. Cl.** **D24/129**

(58) **Field of Classification Search** D24/110,
D24/110.5, 110.6, 129; 285/261–262, 165,
285/166; 128/207.14, 207.15, 207.12, 207.16;
604/280, 283, 264

See application file for complete search history.

(56) **References Cited**

U.S. PATENT DOCUMENTS

D135,468 S	4/1943	Cheney et al.	
D270,568 S	9/1983	Armstrong	
4,620,847 A	11/1986	Shishov et al.	
D289,688 S *	5/1987	Clawson et al.	D24/129
D294,298 S	2/1988	Bush	
4,852,563 A	8/1989	Gross	
5,020,527 A	6/1991	Dessertine	
5,078,131 A	1/1992	Foley	
5,124,129 A *	6/1992	Riccitelli et al.	422/416
5,158,569 A	10/1992	Strickland et al.	
D340,316 S	10/1993	Zdrok	
D342,135 S *	12/1993	Goldberger et al.	D24/129
5,357,946 A	10/1994	Kee et al.	
D362,718 S *	9/1995	Deily et al.	D24/129
5,579,762 A *	12/1996	Lee	128/207.14
5,605,147 A *	2/1997	Truthan	128/203.12
D389,571 S	1/1998	Duplesse	
5,791,340 A	8/1998	Schleufe et al.	
5,899,877 A	5/1999	Leibitki et al.	

6,014,972 A	1/2000	Sladek	
6,079,413 A	6/2000	Baran	
D431,634 S	10/2000	Mantz	
6,237,597 B1	5/2001	Kovac	
D456,504 S	4/2002	Robertson et al.	
6,378,522 B1 *	4/2002	Pagan	128/207.14
6,539,939 B2	4/2003	Rubin	
6,615,835 B1	9/2003	Cise et al.	
6,655,379 B2	12/2003	Clark et al.	
6,701,928 B2	3/2004	Rubin et al.	
6,938,796 B2	9/2005	Blacker et al.	
6,971,381 B2	12/2005	Langford	
D519,632 S	4/2006	Bayron et al.	
7,059,322 B2	6/2006	Rich et al.	
D529,603 S	10/2006	Knickerbocker et al.	

(Continued)

OTHER PUBLICATIONS

Peterfreund, Robert A. et al., "Syringe-Actuated Metered Dose Inhalers: A Quantitative Laboratory Evaluation of Albuterol Delivery Through Nozzle Extensions", *Anesth Analg*, 1994, pp. 554-558, vol. 78, International Anesthesia Research Society, Thousand Oaks, California.

(Continued)

Primary Examiner — Eric Goodman

(74) *Attorney, Agent, or Firm* — Whyte Hirschboeck Dudek S.C.

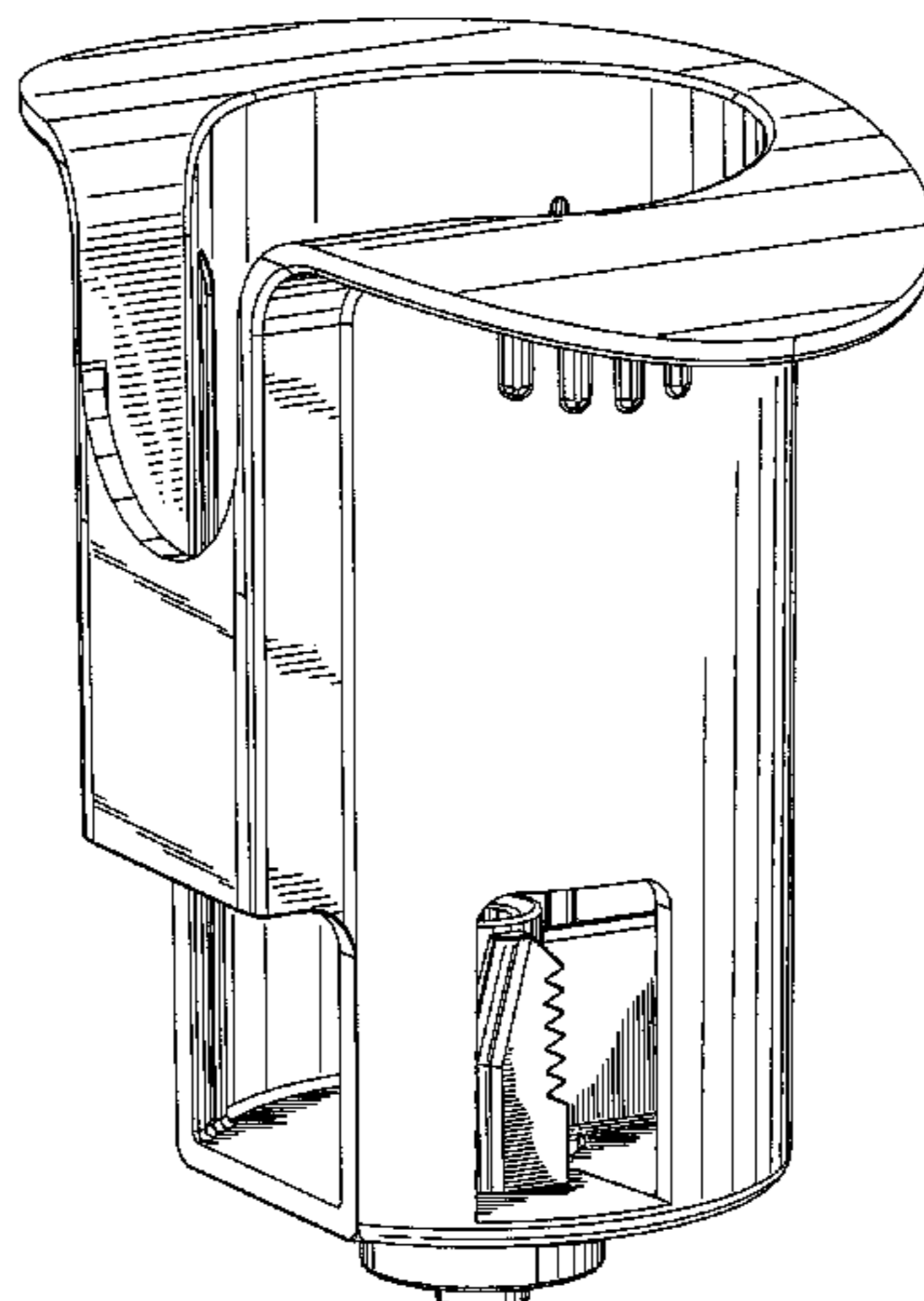
(57) **CLAIM**

An ornamental design for an endotracheal tube adaptor, as shown and described.

DESCRIPTION

FIG. 1 is a perspective view of an endotracheal tube adaptor showing our new design; FIG. 2 is a front elevation view thereof; FIG. 3 is a left elevation view thereof; FIG. 4 is a rear elevation view thereof; FIG. 5 is a right elevation view thereof; FIG. 6 is a top plan view thereof; and, FIG. 7 is a bottom plan view thereof. The broken line showing in FIG. 6 and in FIG. 7 illustrates portions of the endotracheal tube adaptor and forms no part of the claimed design.

1 Claim, 6 Drawing Sheets



U.S. PATENT DOCUMENTS

7,207,329	B2	4/2007	Bowden	
D551,344	S *	9/2007	Santora et al. D24/129
7,322,349	B2	1/2008	Power	
7,445,006	B2	11/2008	Dhuper et al.	
7,587,988	B2	9/2009	Bowman et al.	
D655,411	S *	3/2012	Schroeder et al. D24/129
2003/0150462	A1	8/2003	Dhuper et al.	
2003/0226566	A1	12/2003	Dhuper et al.	
2009/0188492	A1	7/2009	Chan et al.	
2010/0154800	A1*	6/2010	Chang et al. 128/207.15

OTHER PUBLICATIONS

“Maximize the Mist: Keep Inhalers Clean, Primed and Ready”, Allergy & Asthma Today, Winter 2005, pp. 17-20.
“Tube Inhaler”, VBM Medizintechnik GmbH, pp. 31-32, 2006, http://www.vbm-medical.de/cms/files/kb_tube_inhaler_7.0_10.09_1.pdf.
“Malvern Laser Diffraction Technology”, Malvern Instruments, Jan. 27, 2010, http://www.malvern.com/ProcessEng/systems/laser_diffraction/technology/technology.htm.

“KC 18901-L 90° Elbow Connector”, Instrumentation Industries, Inc., <http://www.iiimedical.com/proddetail.php?prod=KC18901-L>.
Usmani, Omar S., et al, “Regional Lung Deposition and Bronchodilator Response as a Function of β 2-Agonist Particle Size”, American Journal of Respiratory and Critical Care Medicine, vol. 172, pp. 1497-1504, 2005.

MDI Adapter Installation & Usage direction RTC 24-V RTC 24-V Kit Brochure; Instrumentation Industries, Inc., Nov. 2009; 2 pages; Bethel Park, PA (<http://www.iiimedical.com/pdf/Web-RTC24-VInstruction.pdf>).

Section 510(k) Summary for RTC 24-VP MDI Adapter and RTC 24-V MDI Adapter Kit; Department of Health & Human Services; Food and Drug Administration; Dec. 2, 2009; 7 pages; Silver Spring, MD (http://www.accessdata.fda.gov/cdrh_pdf9/K091111.pdf).

Section 510(k) Summary for RTC 24-VP Metered Dose Inhaler Adapter; Department of Health & Human Services; Food and Drug Administration; Jul. 22, 2010; 7 pages; Silver Spring, MD (http://www.accessdata.fda.gov/cdrh_docs/pdf10/K101857.pdf).

* cited by examiner

Fig. 1

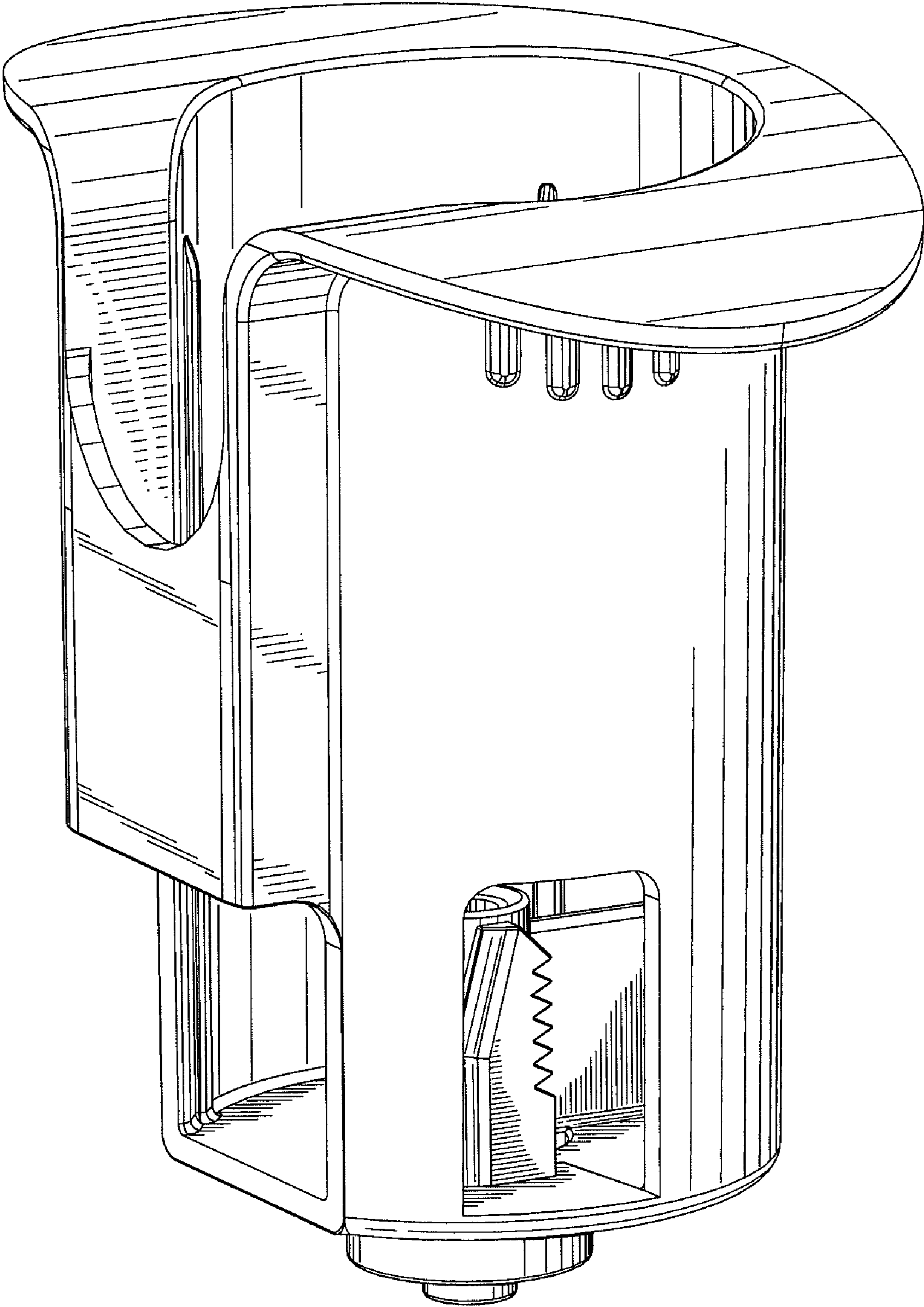


Fig. 2

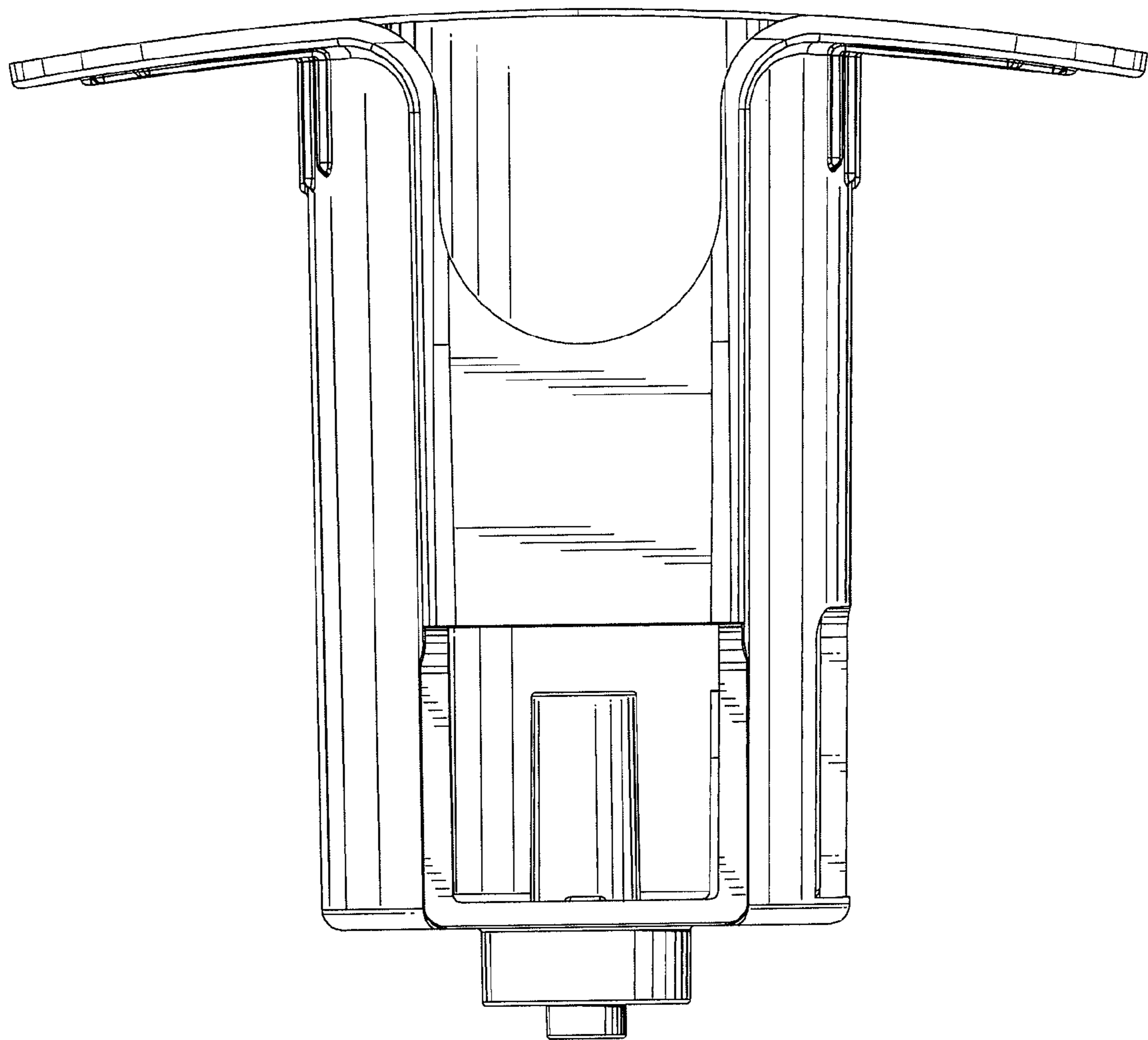


Fig. 3

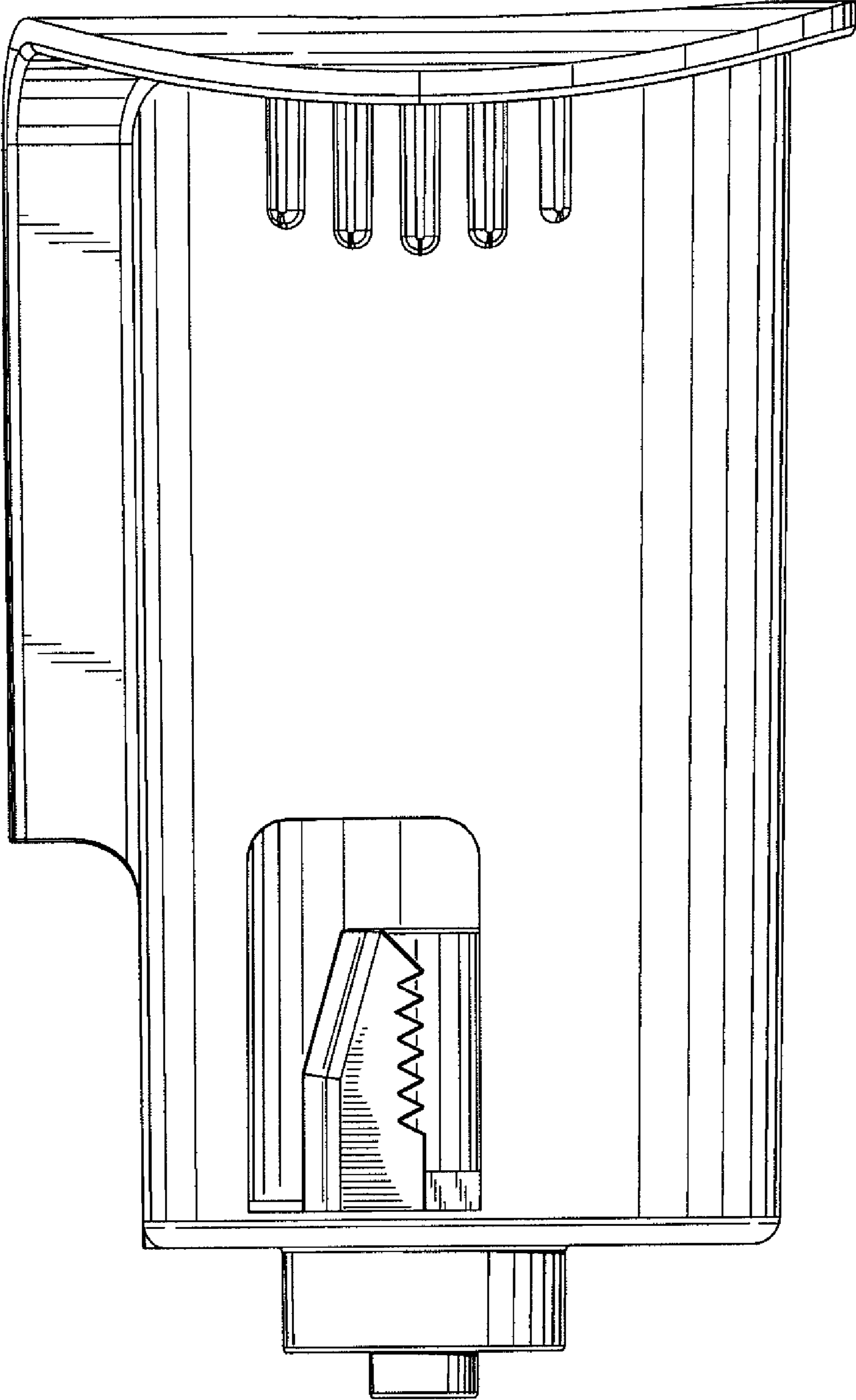


Fig. 4

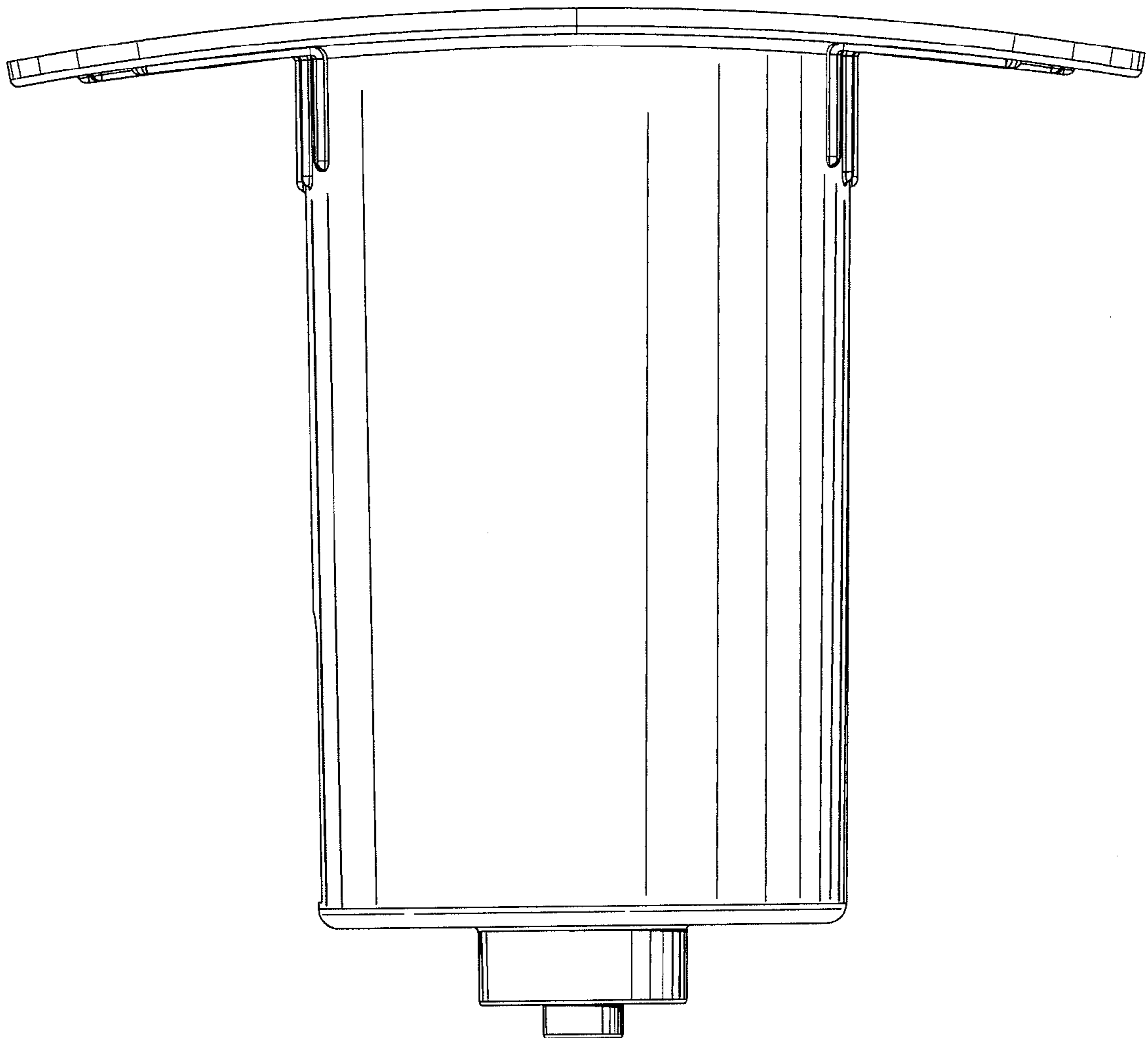


Fig. 5

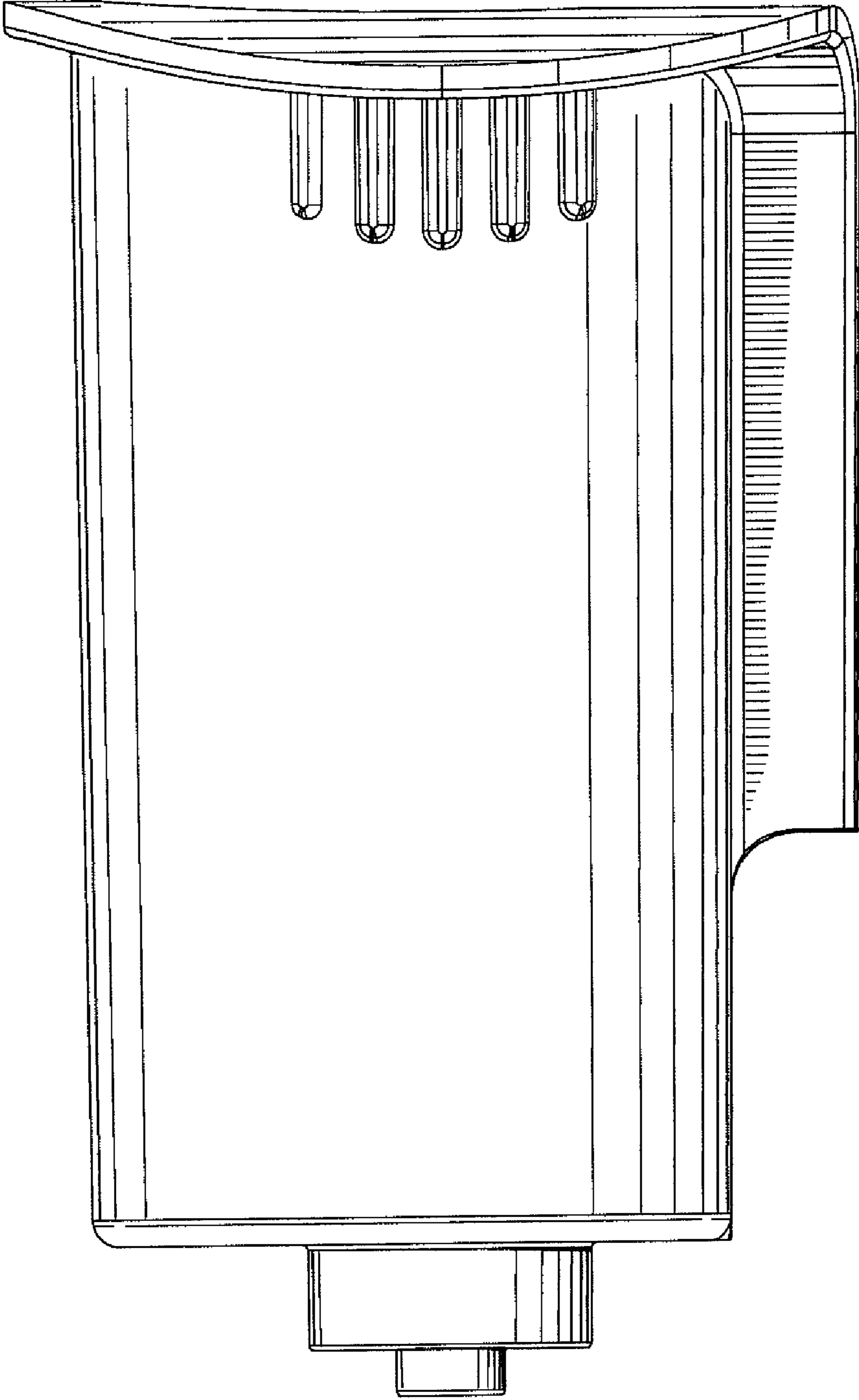


Fig. 6

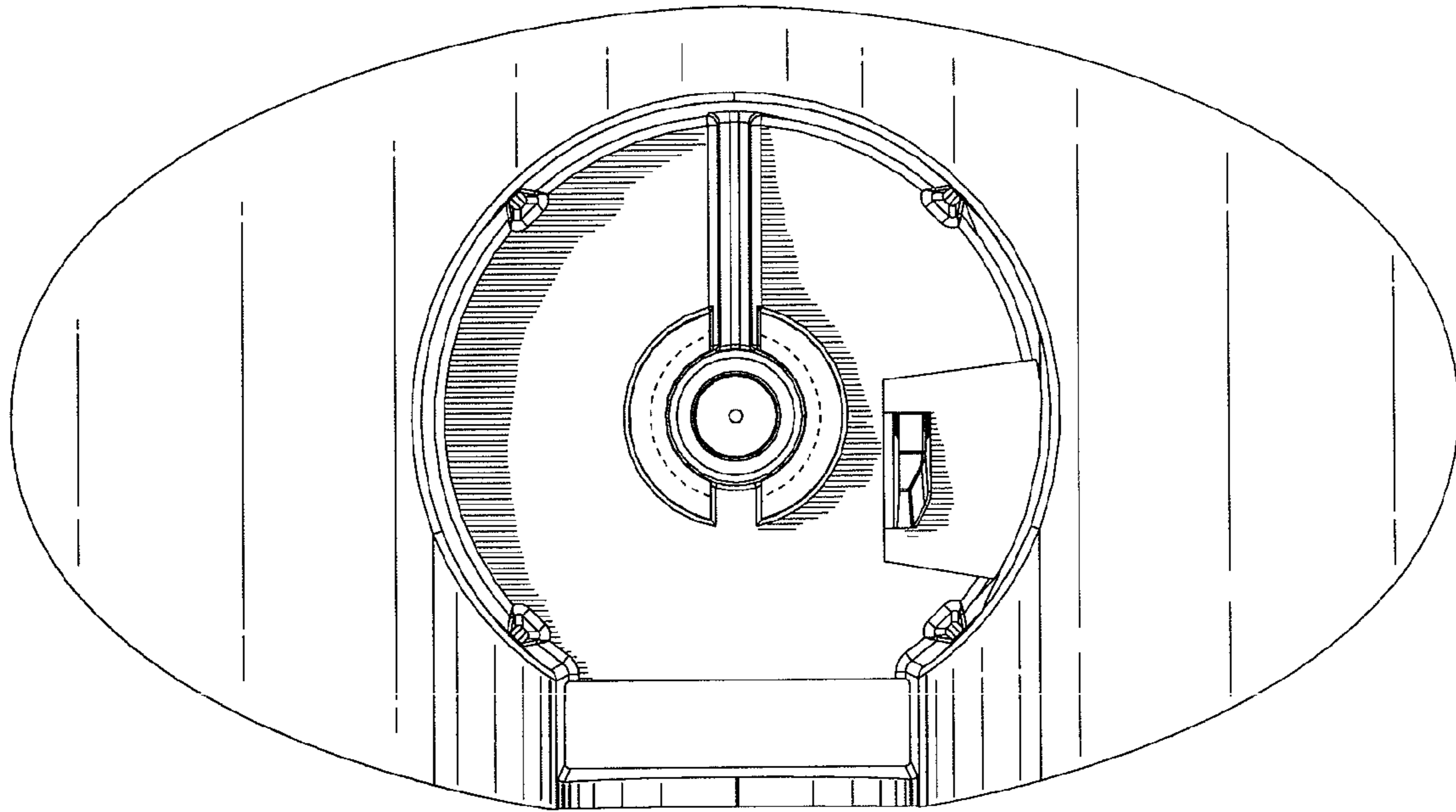


Fig. 7

