



US00D679002S

(12) **United States Design Patent**
Rice-Monteiro

(10) **Patent No.:** **US D679,002 S**

(45) **Date of Patent:** **** Mar. 26, 2013**

(54) **ANIMAL SHAPED NASAL SPRAY DISPENSER**

D584,167 S * 1/2009 Murray D9/610
D612,492 S * 3/2010 Krumins D24/195
D648,857 S * 11/2011 Pheil et al. D24/197

(76) Inventor: **Kellie Rice-Monteiro**, Round Rock, TX (US)

* cited by examiner

(**) Term: **14 Years**

Primary Examiner — David Muller

(21) Appl. No.: **29/393,439**

(74) *Attorney, Agent, or Firm* — David D. Griner; Abel Law Group, LLP

(22) Filed: **Jun. 3, 2011**

(51) **LOC (9) Cl.** **24-02**

(52) **U.S. Cl.** **D24/115**

(58) **Field of Classification Search** D24/115,
D24/117, 223, 226, 194–198; 222/209, 207,
222/215, 541.6, 541.4, 541.9; D9/695–699,
D9/529, 610, 601, 441; 206/528; 604/3,
604/298; 215/47, 48; 128/200.24; D21/415;
D7/516, 519

See application file for complete search history.

(57) **CLAIM**

I claim the ornamental design for an animal-shaped nasal spray dispenser, as shown and described.

DESCRIPTION

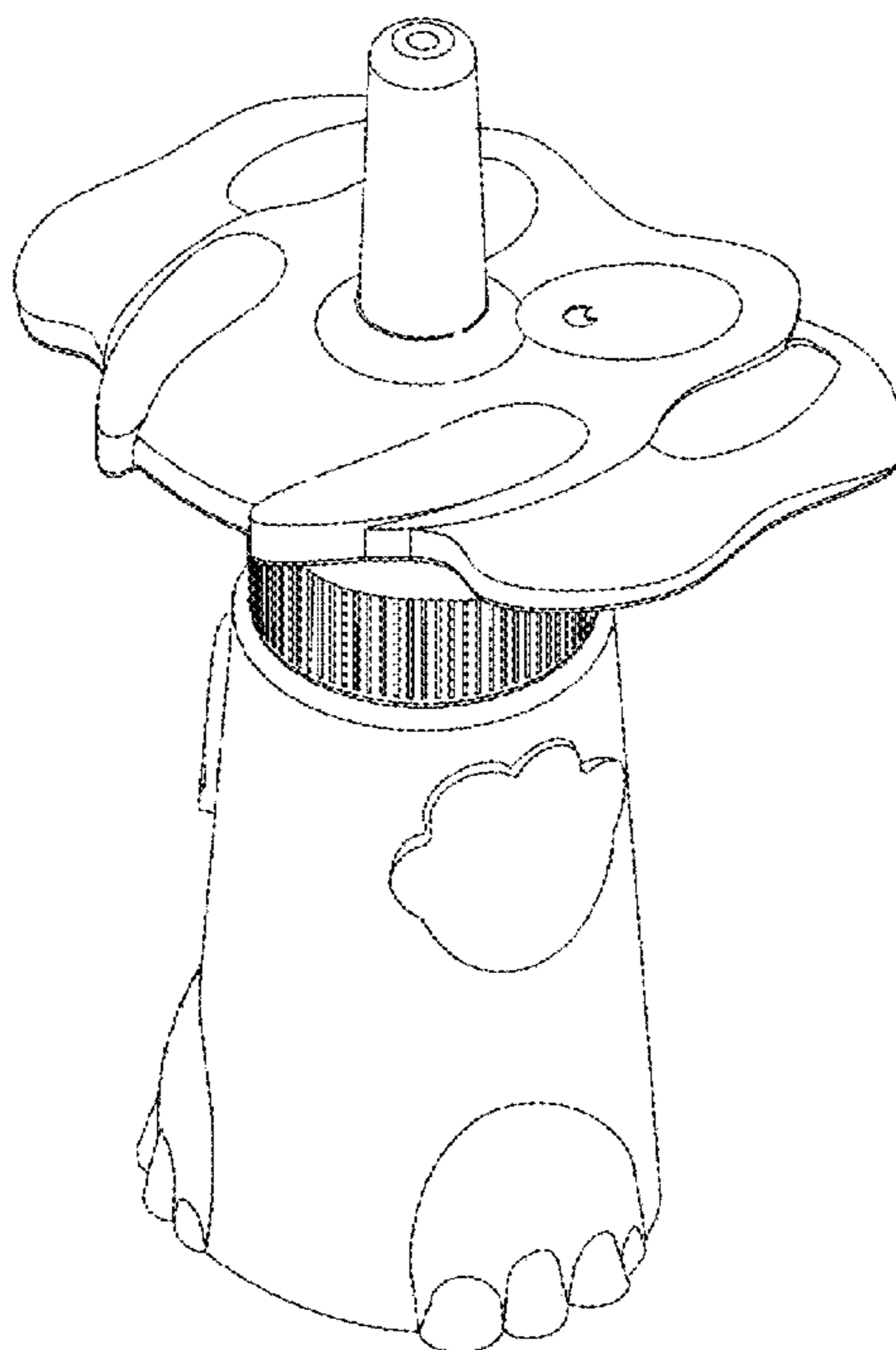
FIG. 1 is a top plan view of an animal-shaped nasal spray dispenser according to the present design; FIG. 2 is a bottom plan view thereof; FIG. 3 is the front elevation view thereof; FIG. 4 is the rear elevation view thereof; FIG. 5 is a front perspective view thereof; FIG. 6 is a rear perspective view thereof; FIG. 7 is a right side elevation view thereof; FIG. 8 is a left side elevation view thereof; FIG. 9 is an exploded front elevation view of the animal-shaped nasal spray dispenser with the cap unscrewed and the pumping portion of the dispenser separated from the bottle; FIG. 10 is a rear elevation view thereof; FIG. 11 is a front perspective view thereof; FIG. 12 is a rear perspective view thereof; FIG. 13 is a right side elevation view thereof; and, FIG. 14 is a left side elevation view thereof.

(56) **References Cited**

U.S. PATENT DOCUMENTS

2,860,639	A	*	11/1958	Hoover	D24/195
D293,079	S	*	12/1987	Ferrero	D9/610
D328,005	S	*	7/1992	Paullin	D7/516
D328,707	S	*	8/1992	Isaak	D9/441
D358,298	S	*	5/1995	Brown et al.	D7/516
D422,492	S	*	4/2000	Indelicato et al.	D9/610
D427,855	S	*	7/2000	Baker	D7/516
D457,686	S	*	5/2002	Shih	D9/610
D477,749	S	*	7/2003	Anderson	D7/516
D502,315	S	*	3/2005	Oberhofer	D9/610
D540,621	S	*	4/2007	Wahl	D7/516
D551,086	S	*	9/2007	Lepoitevin	D9/601
D560,505	S	*	1/2008	Lepoitevin	D9/601

1 Claim, 7 Drawing Sheets



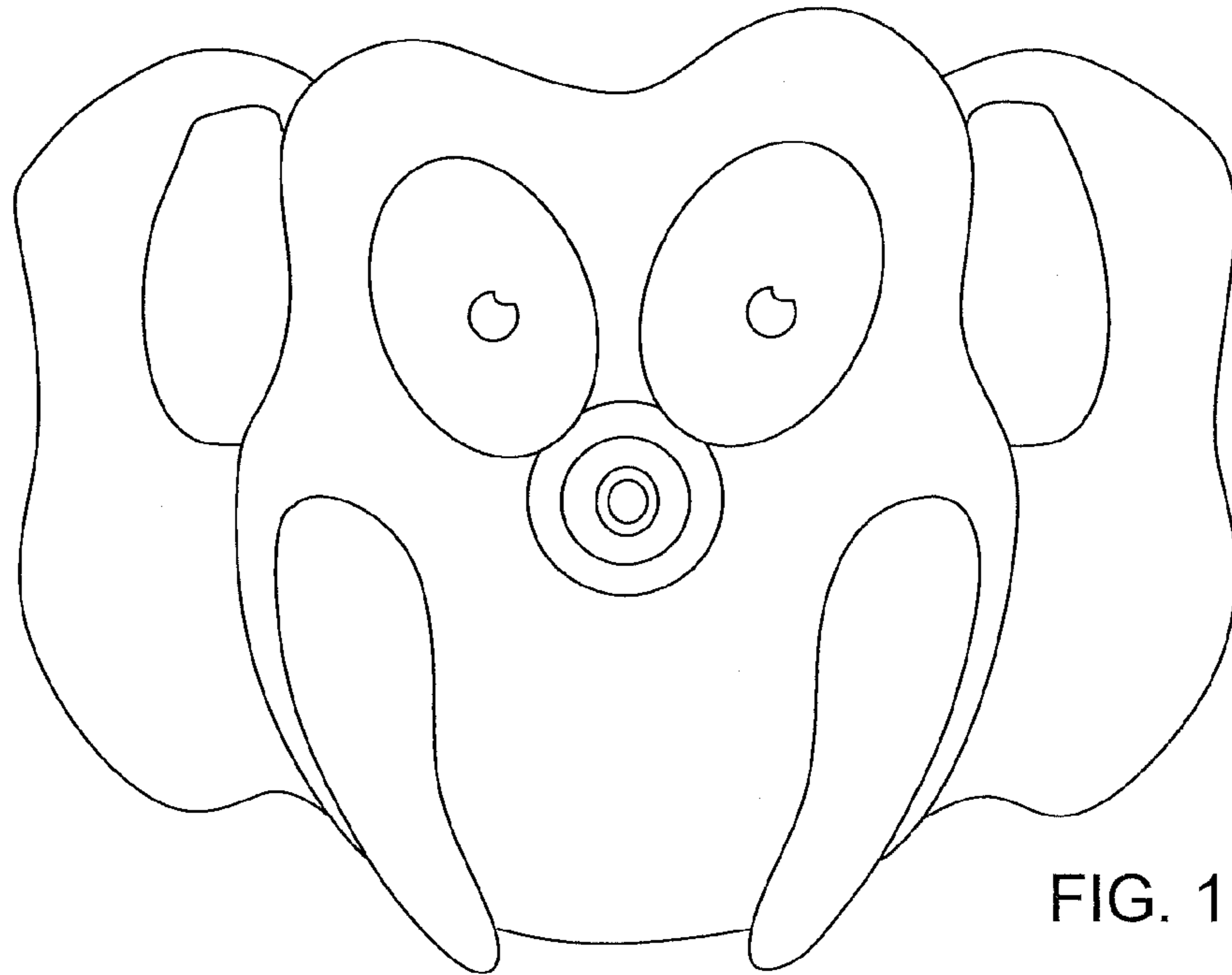


FIG. 1

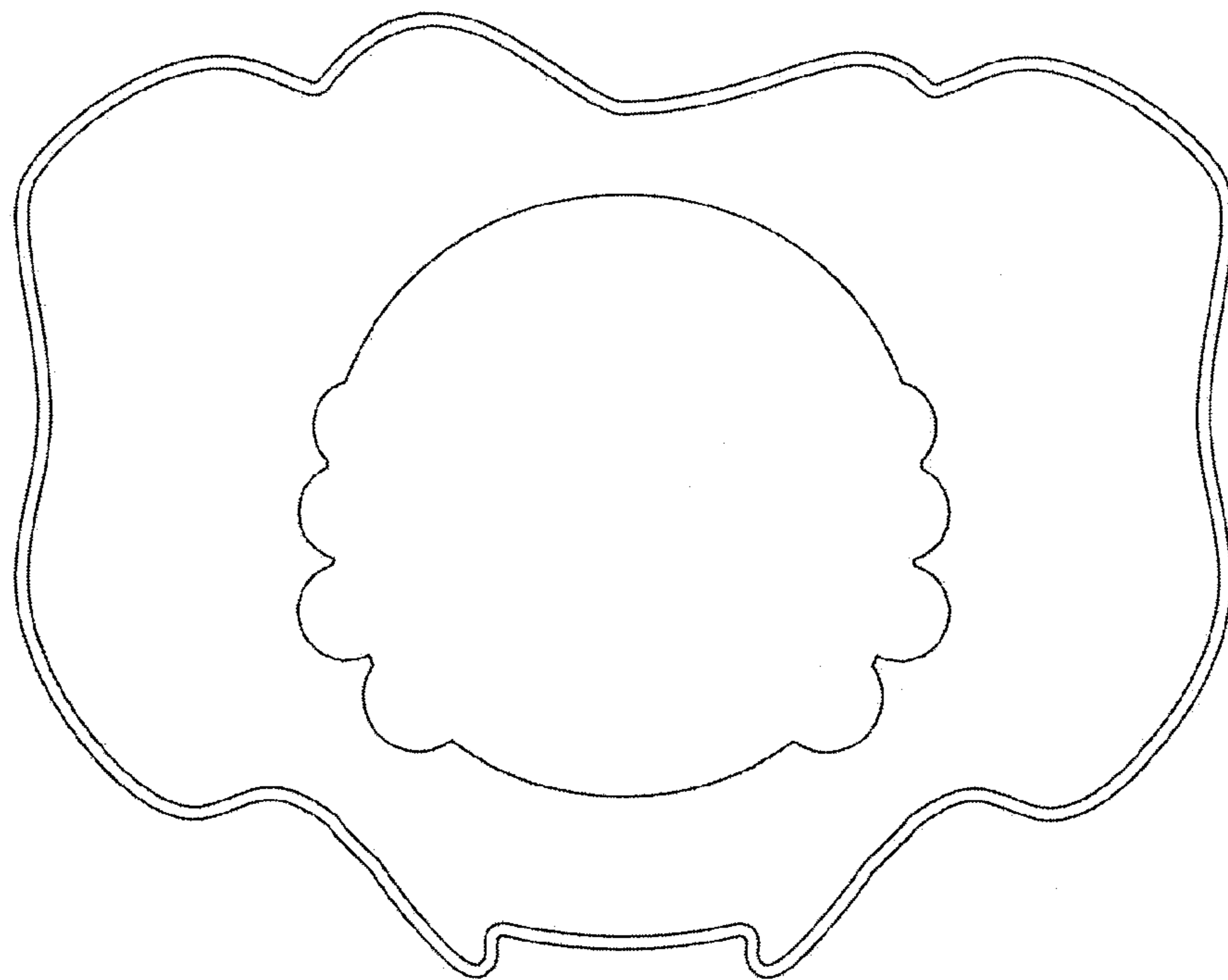


FIG. 2

FIG. 4

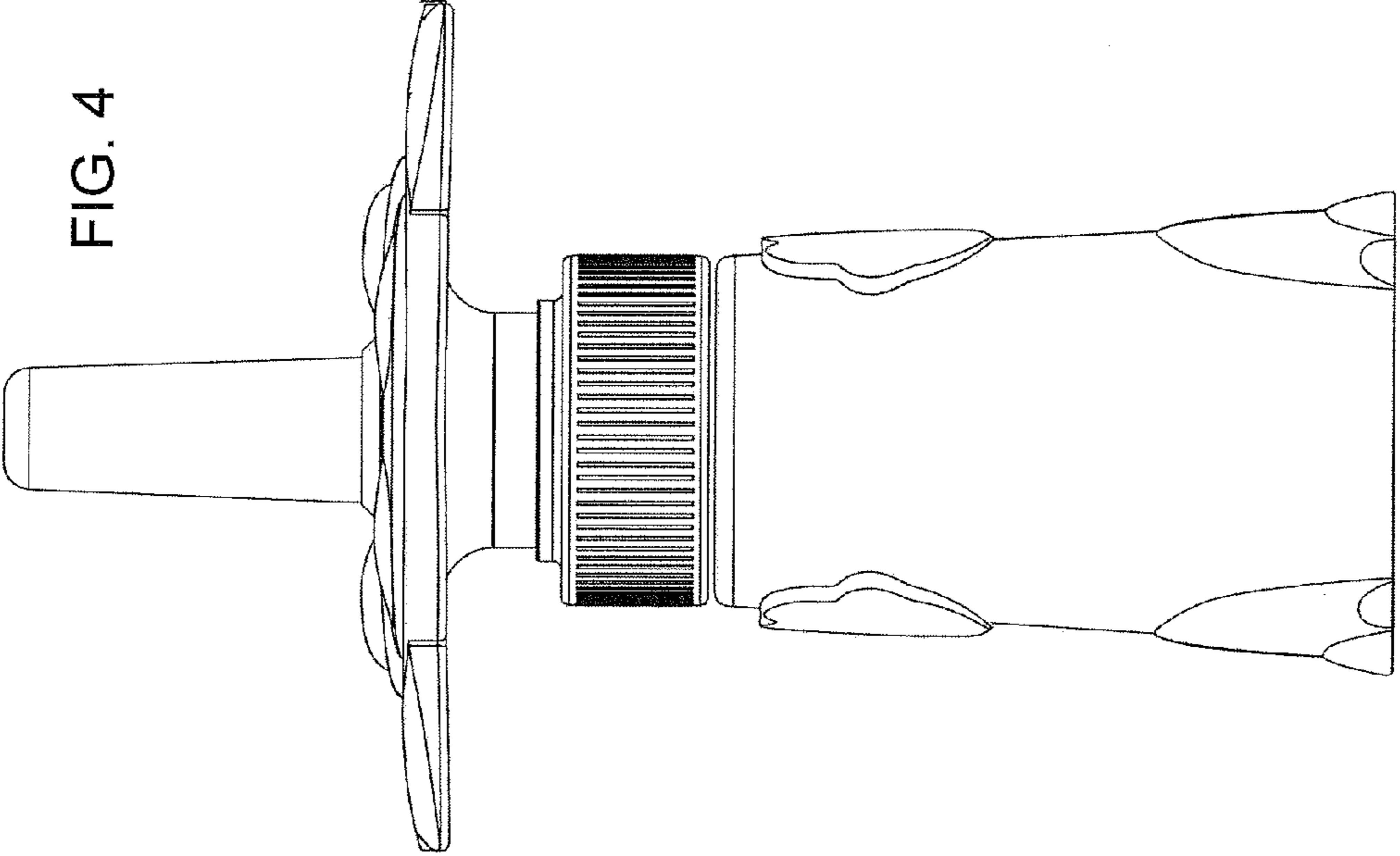
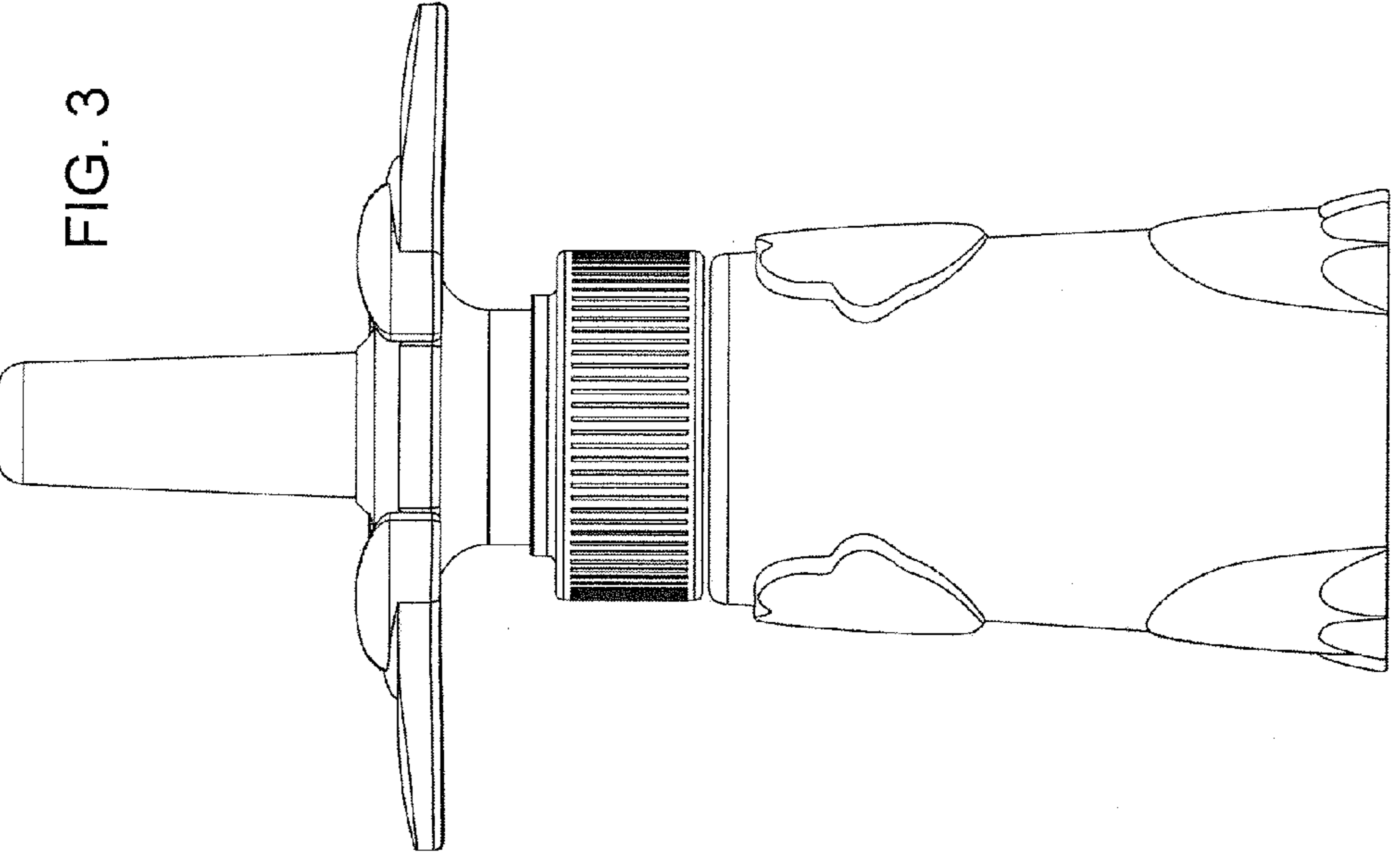


FIG. 3



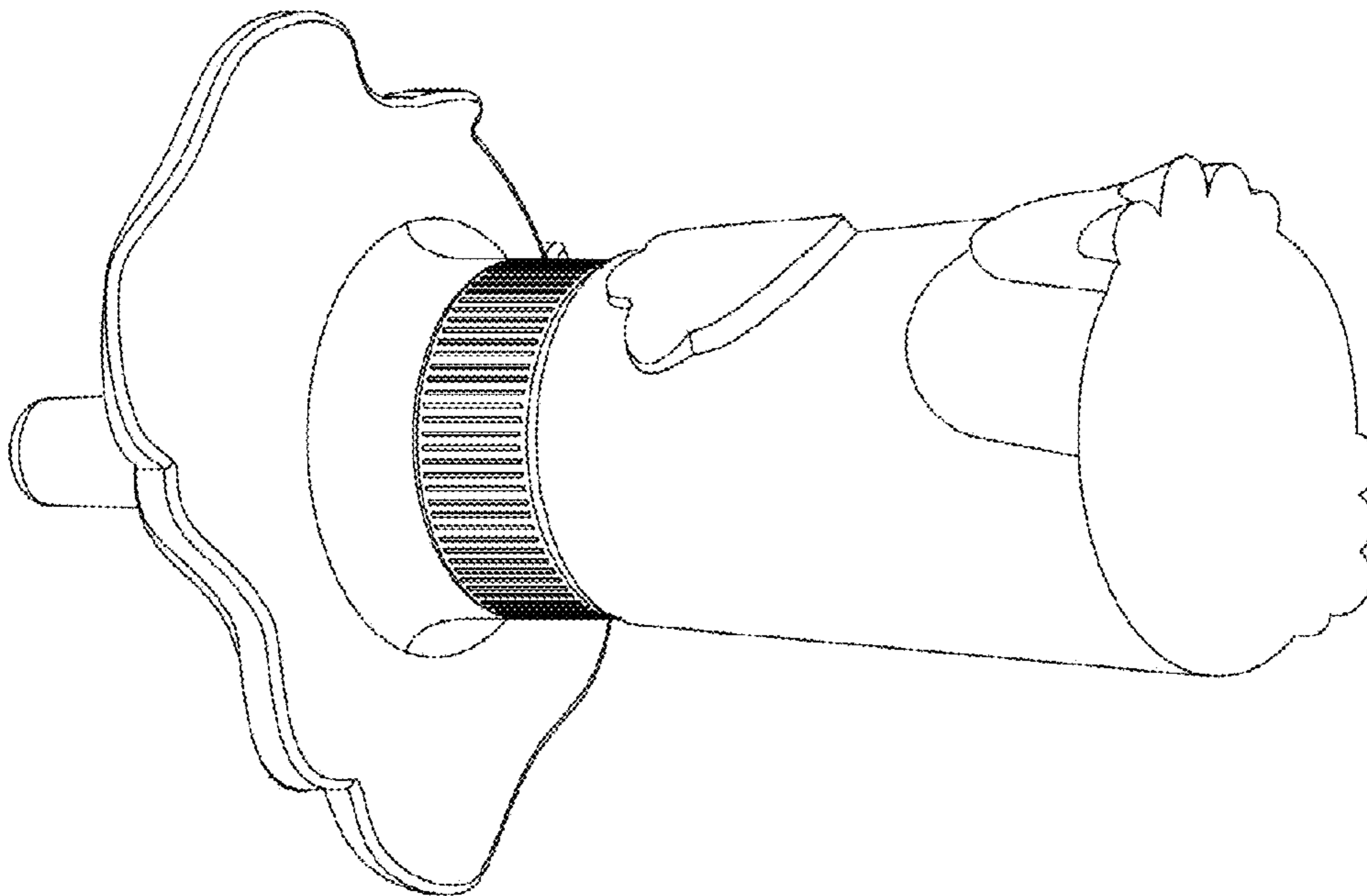


FIG. 6

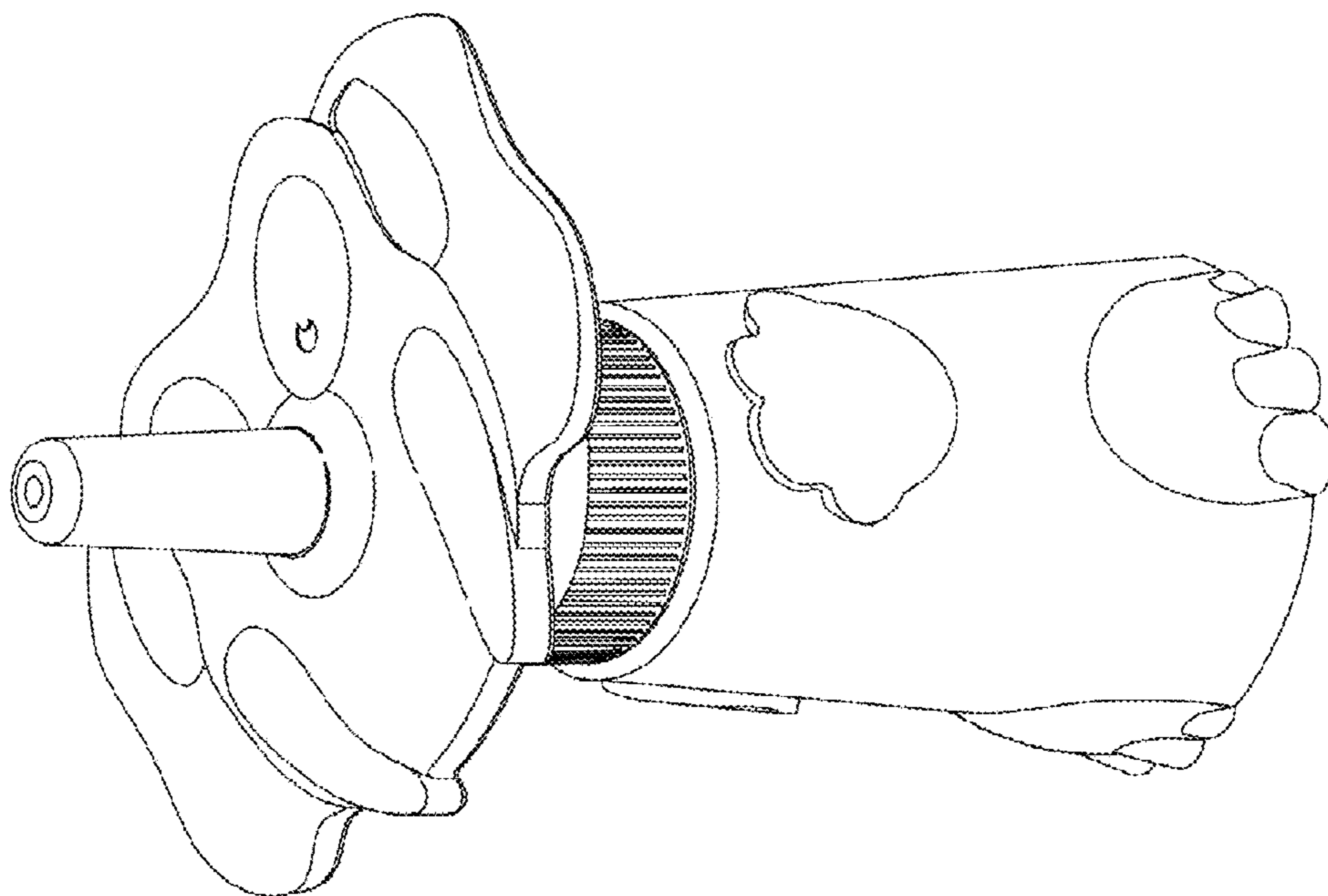
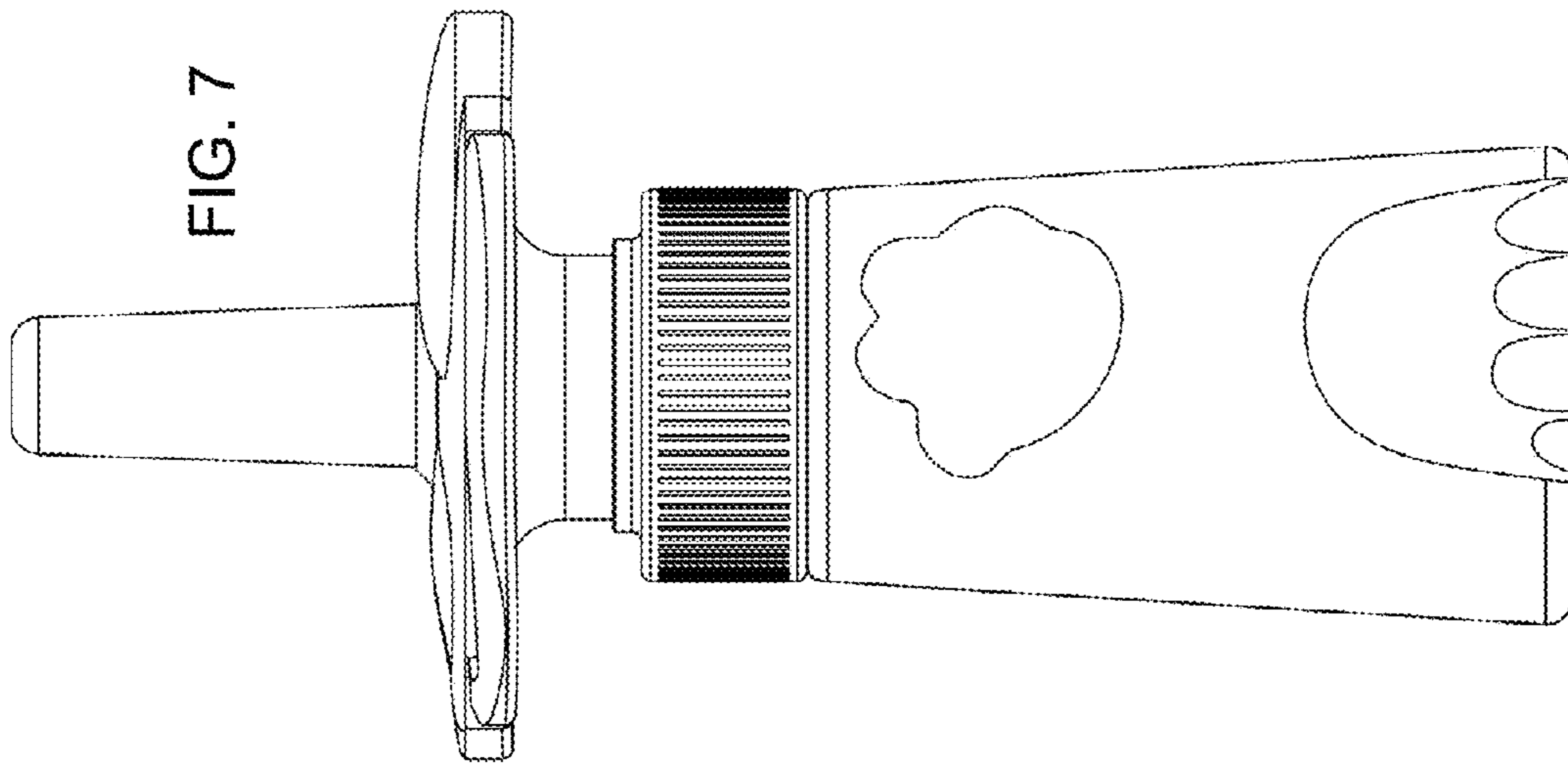
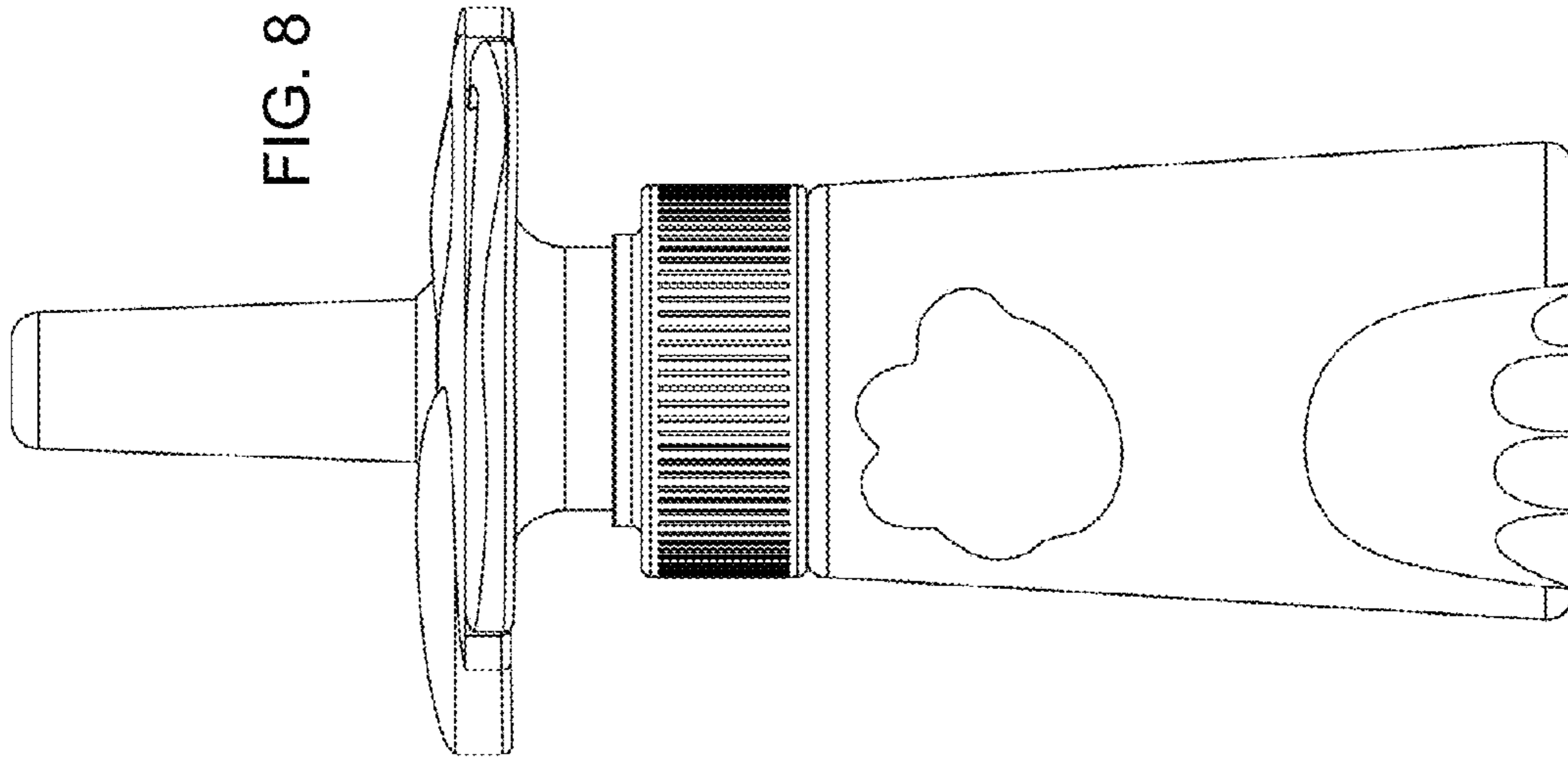


FIG. 5



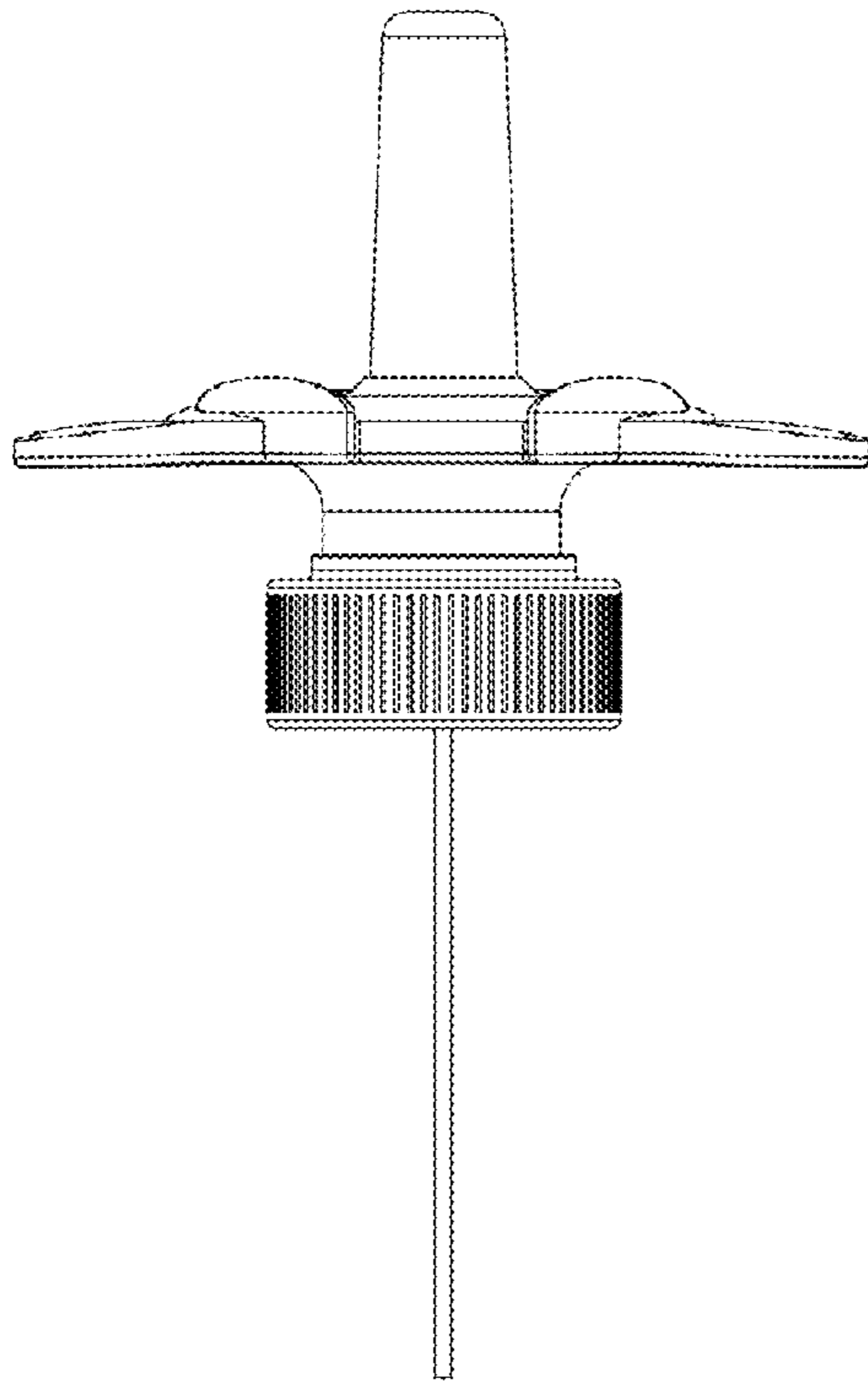


FIG. 9

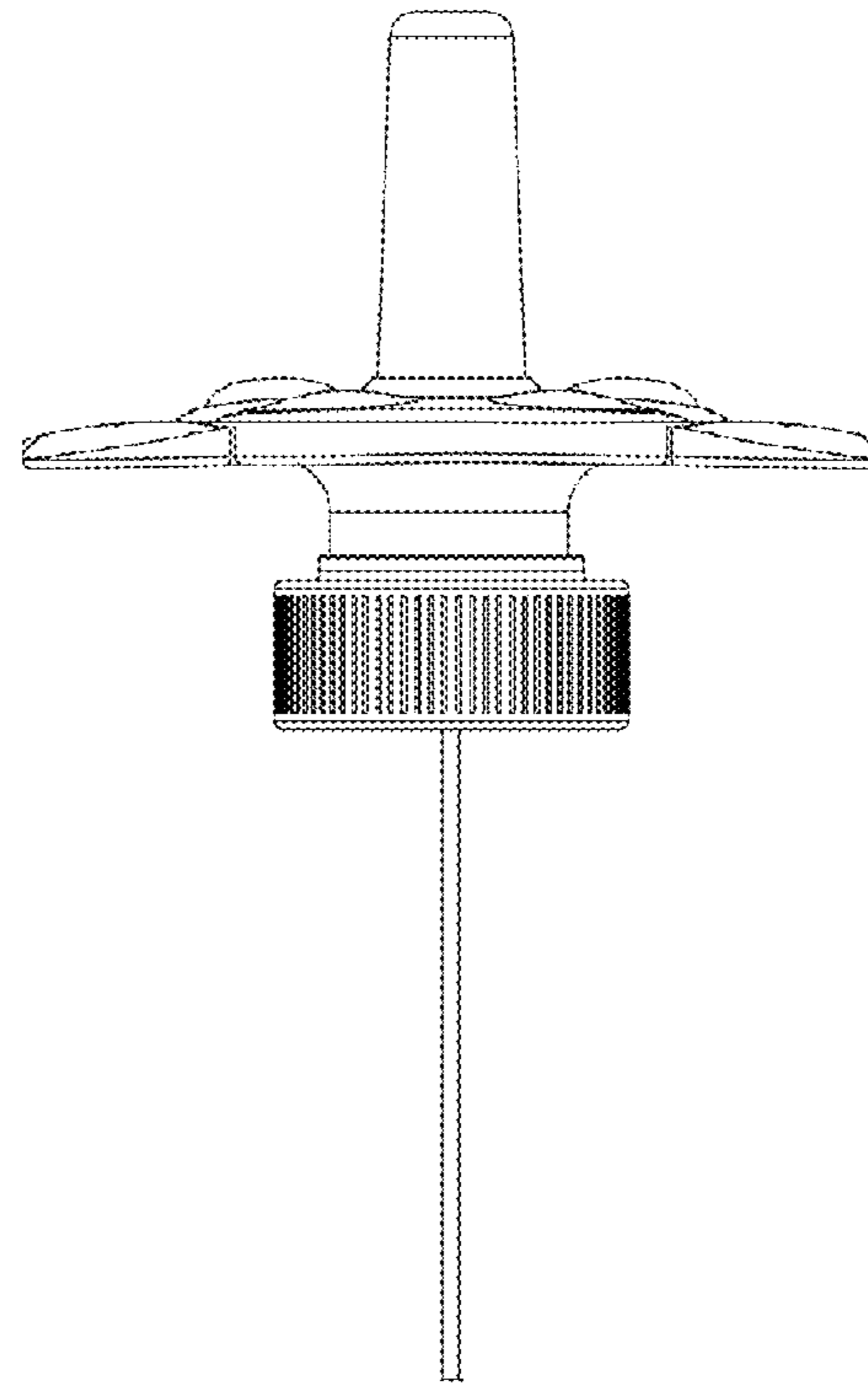
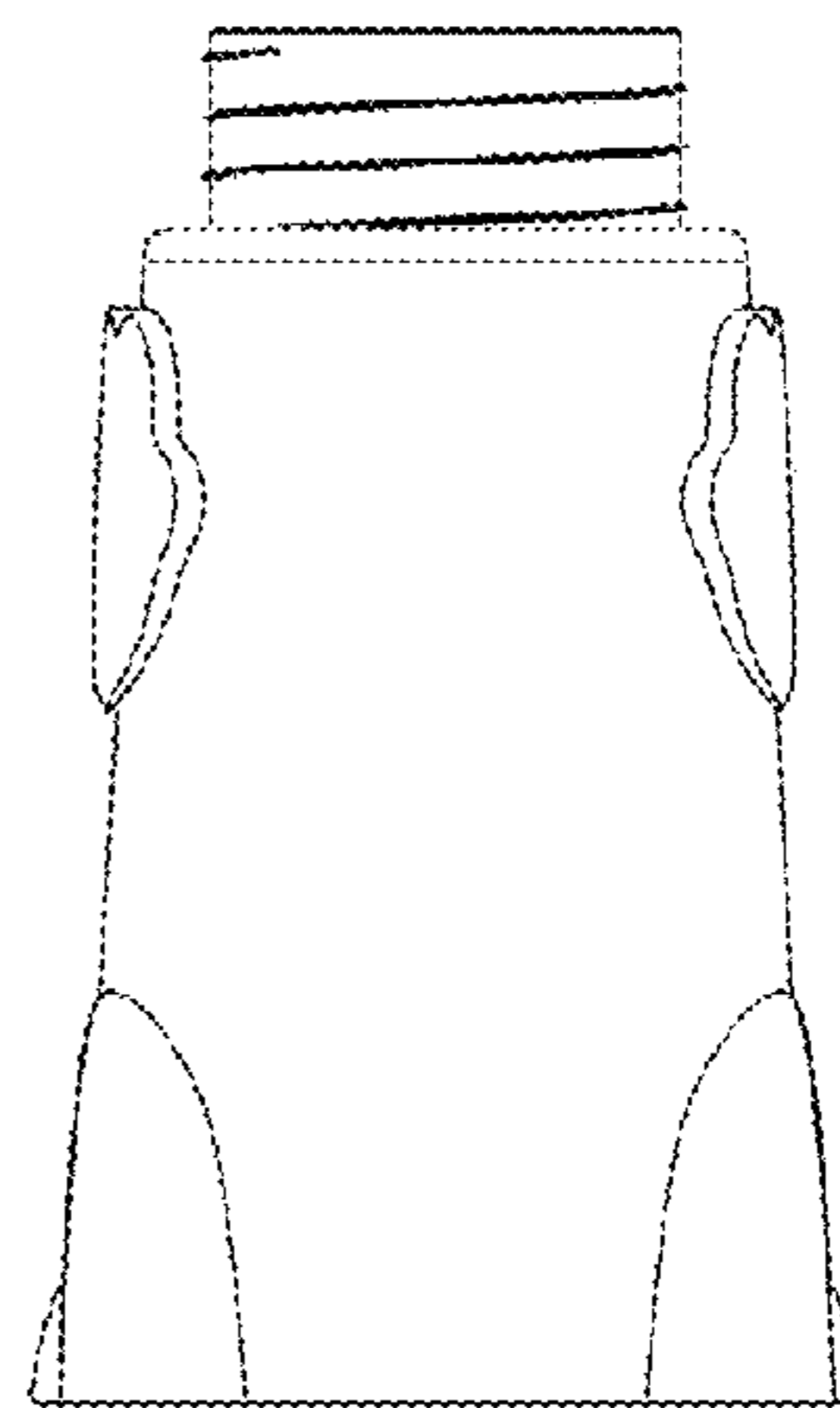
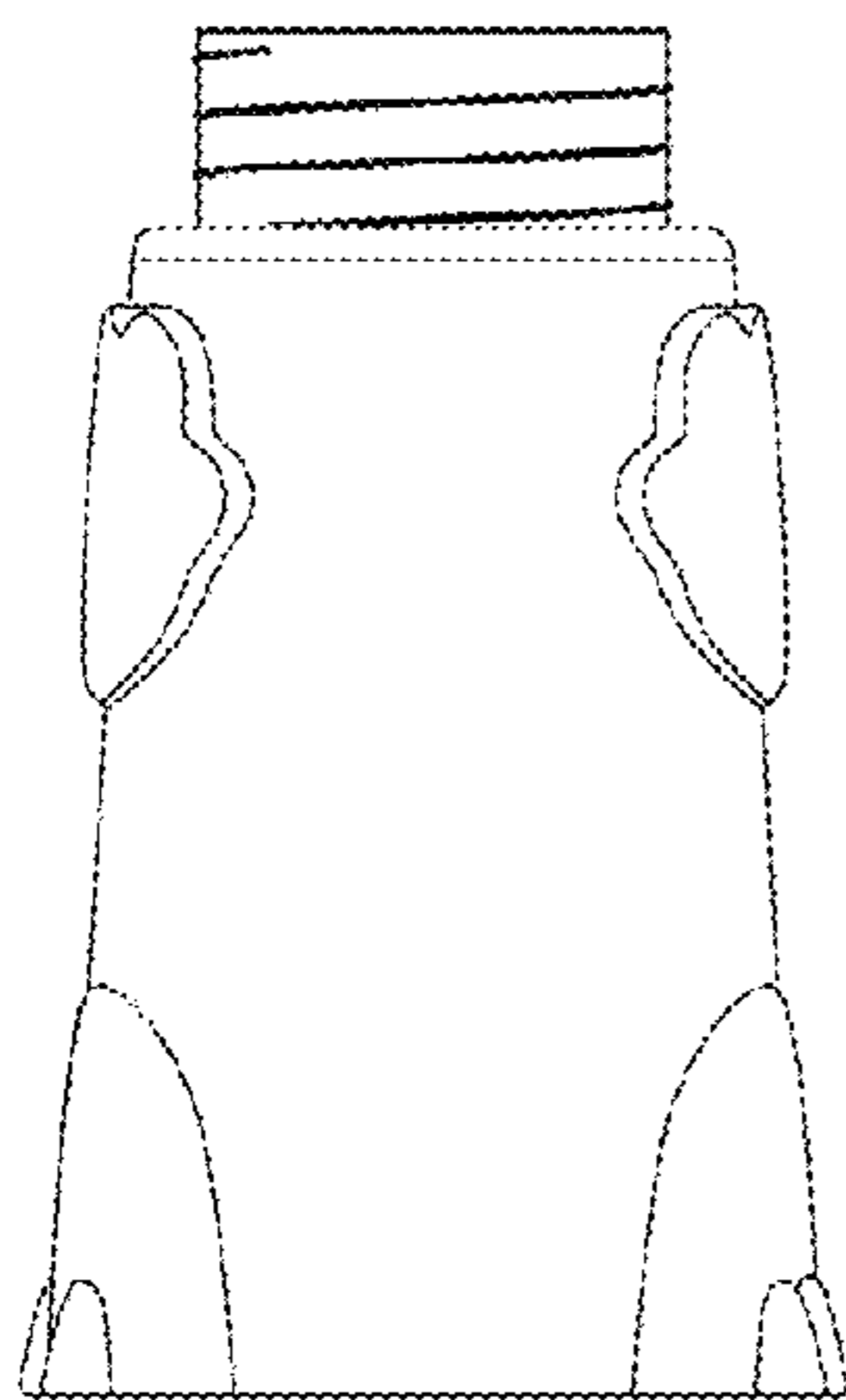


FIG. 10



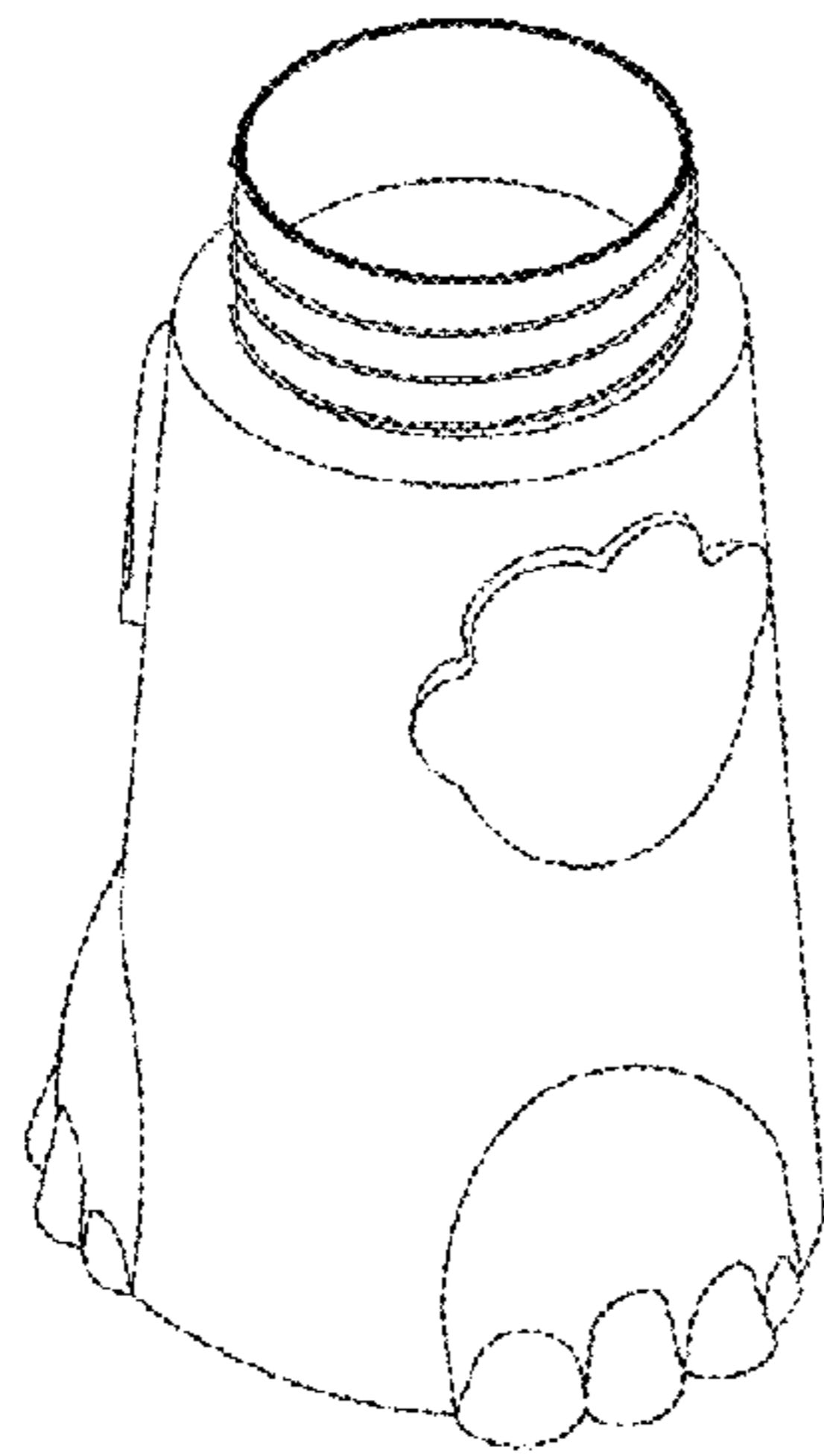
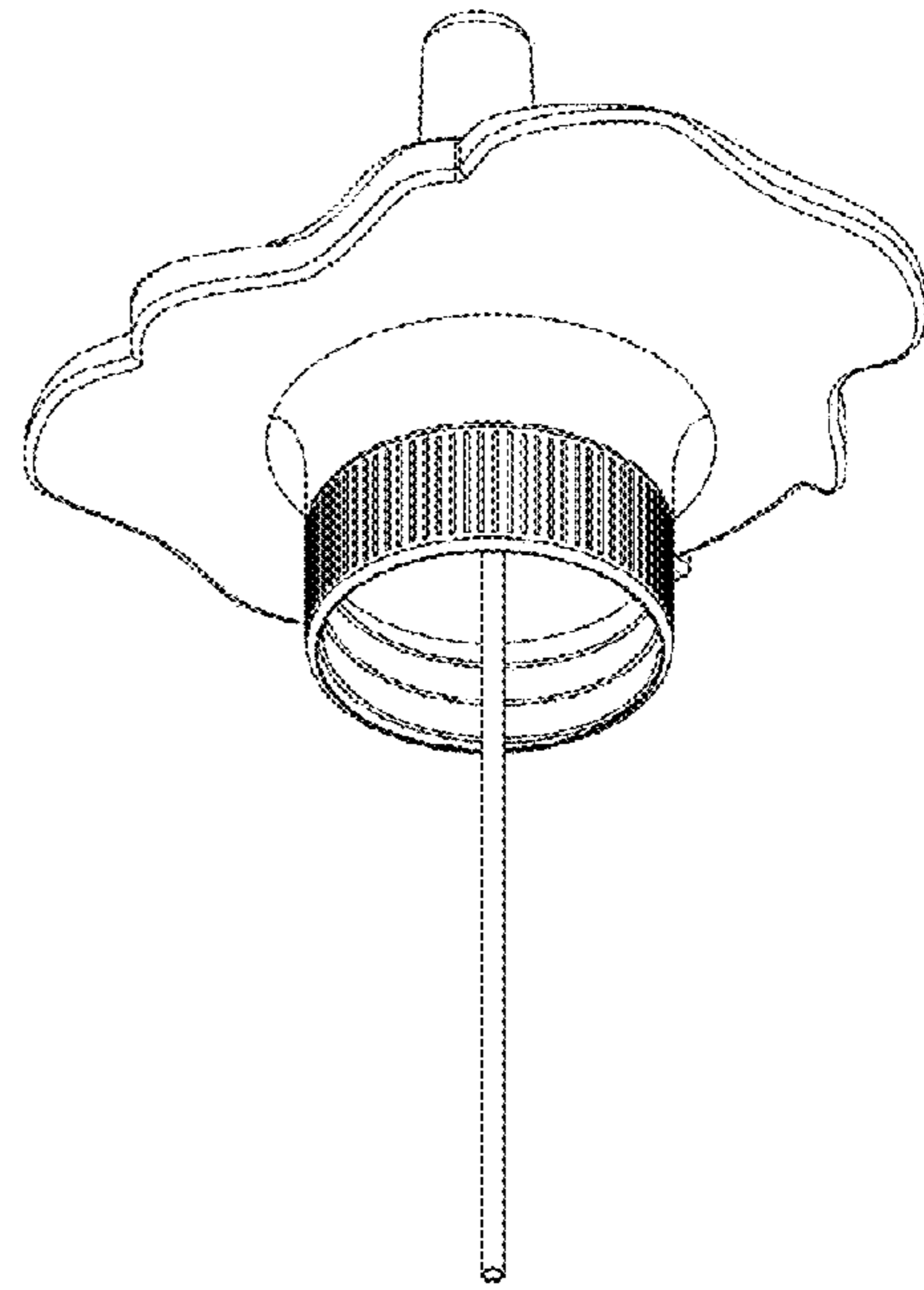
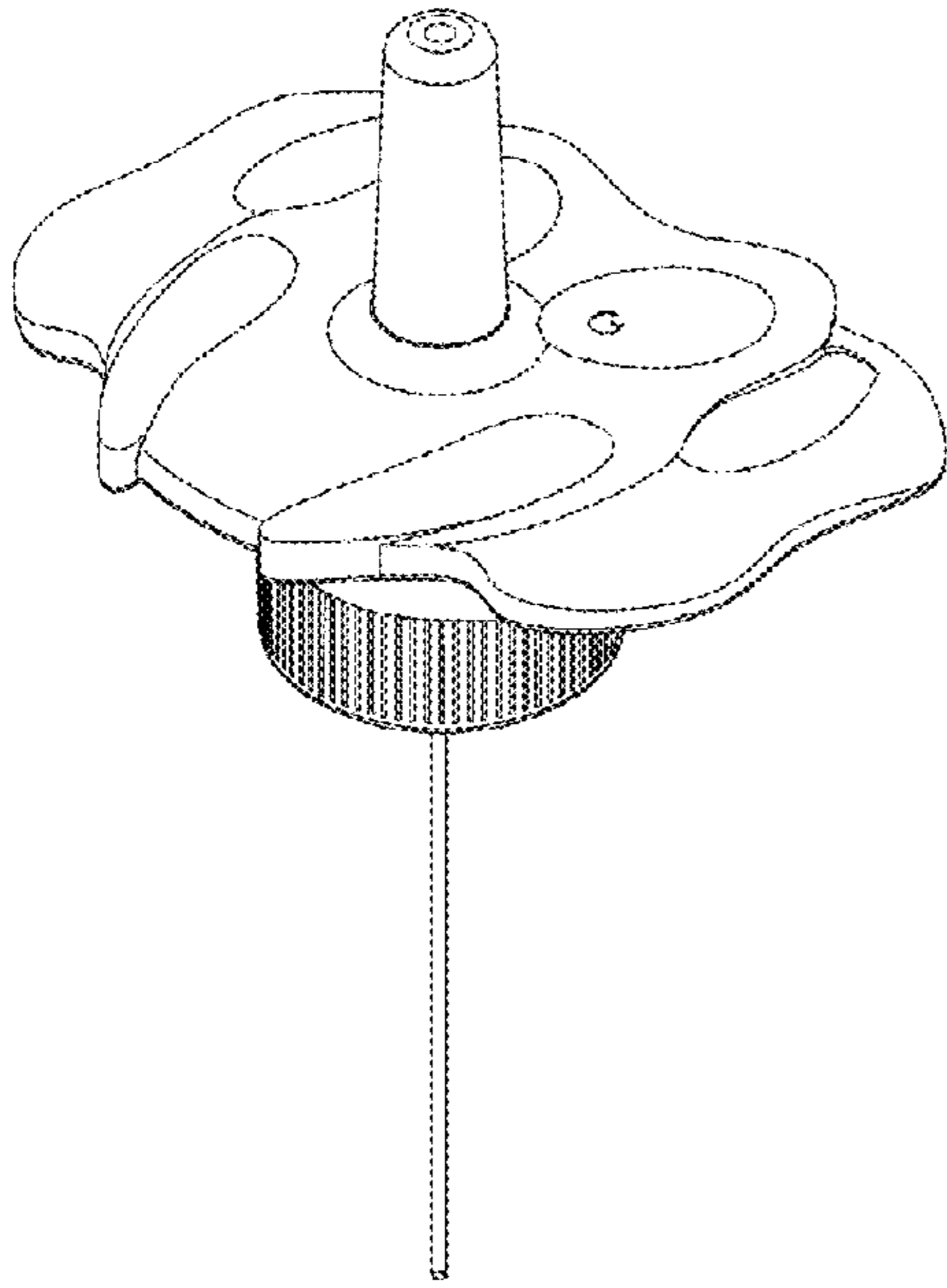


FIG. 11

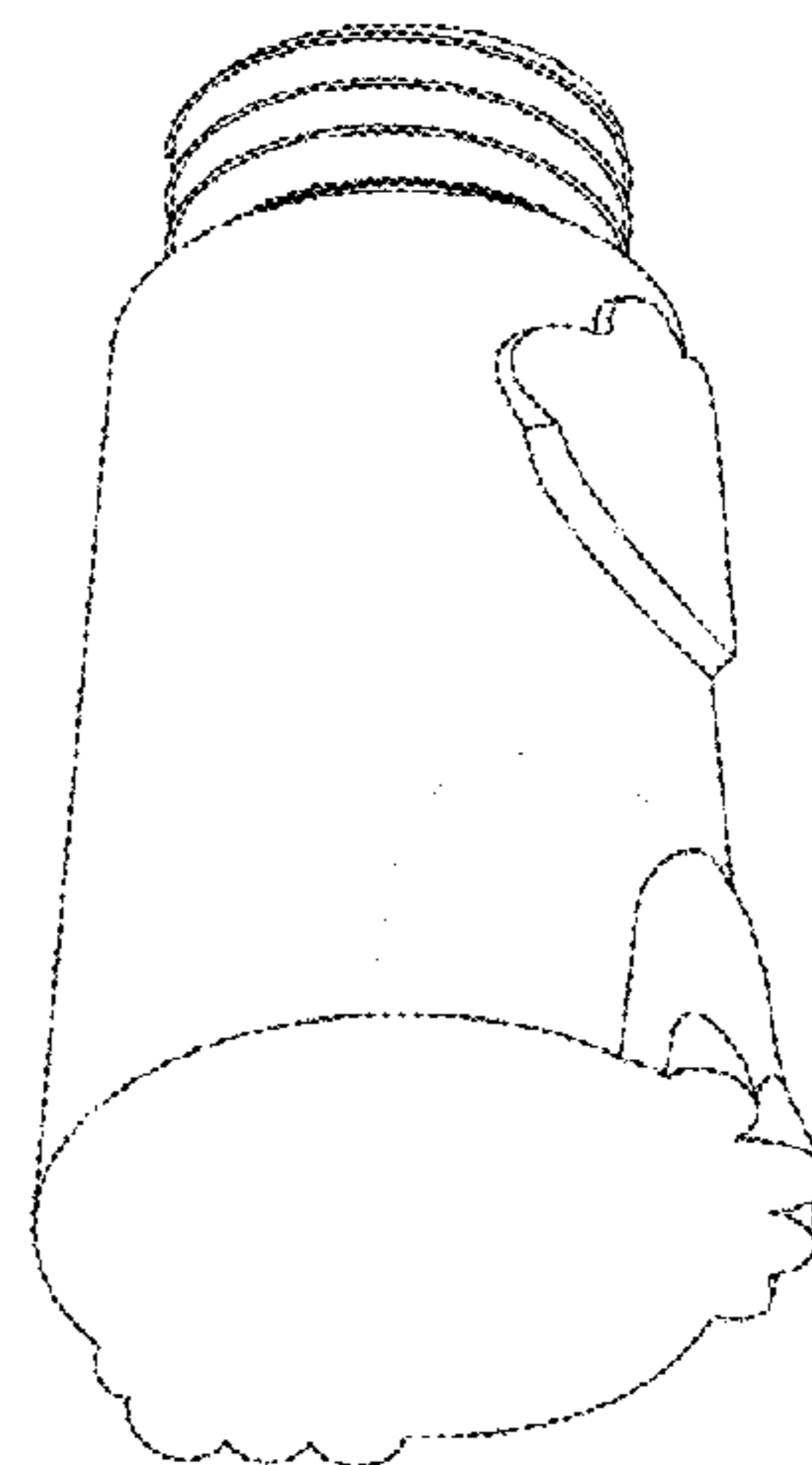


FIG. 12

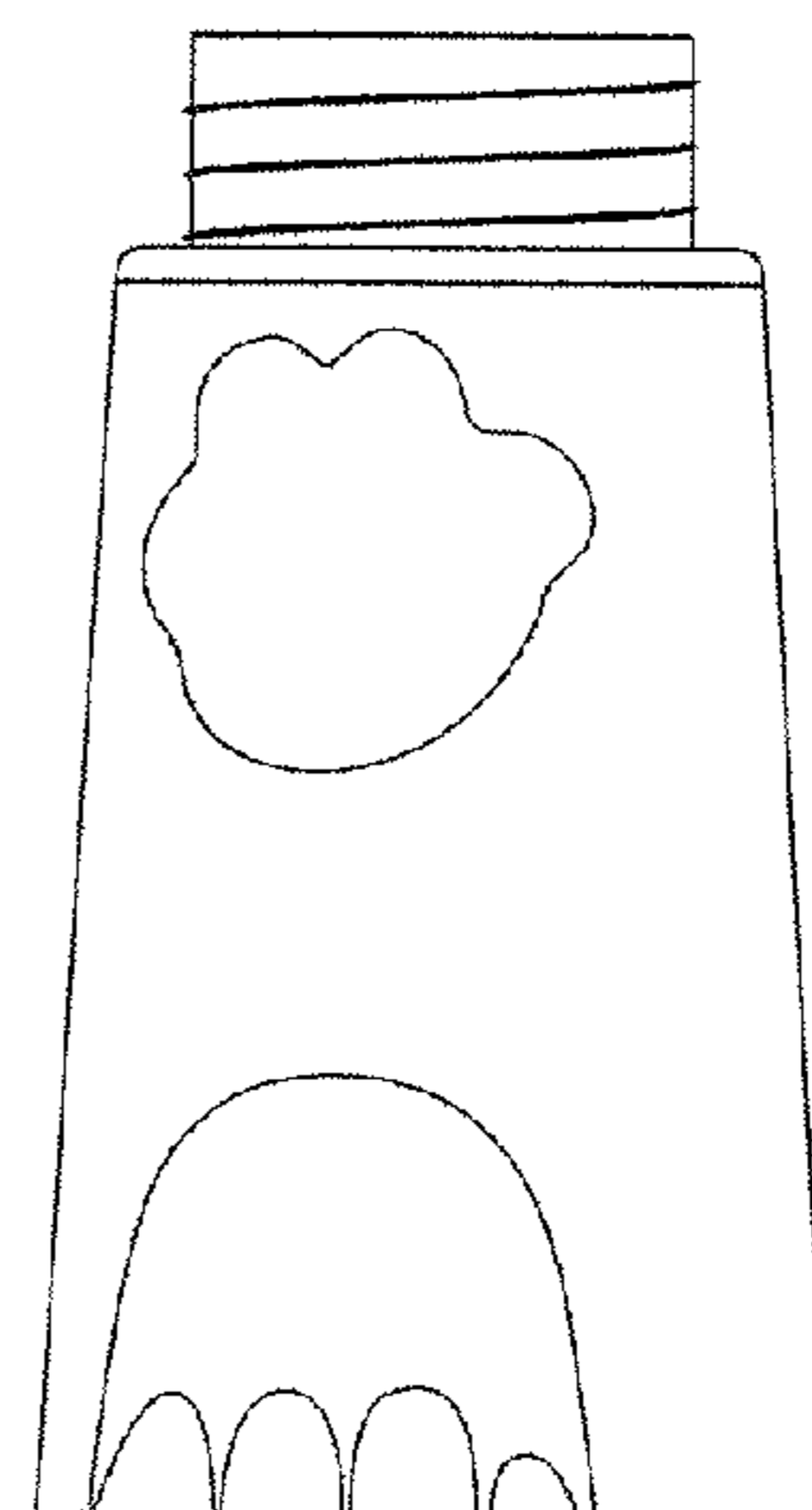
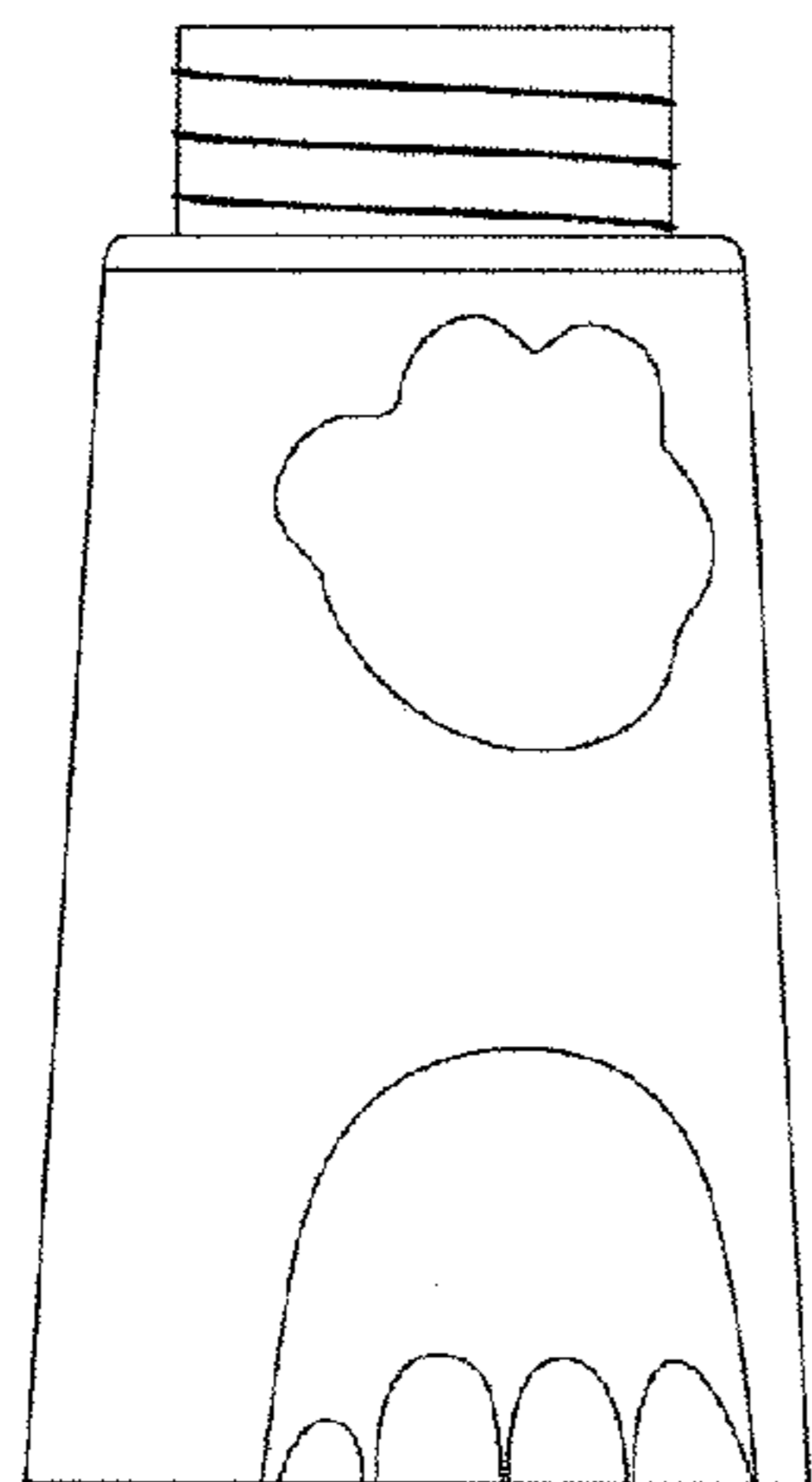
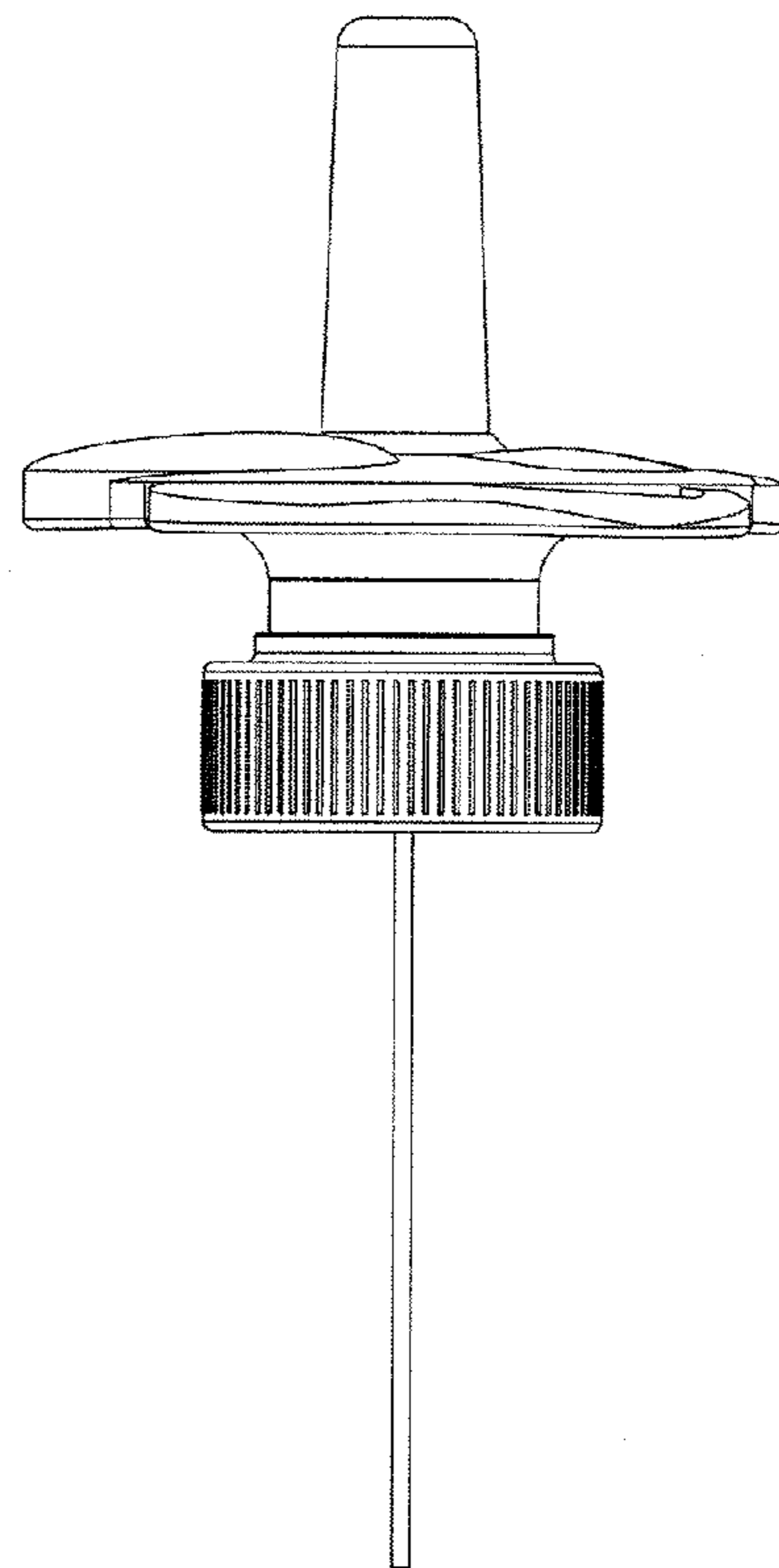
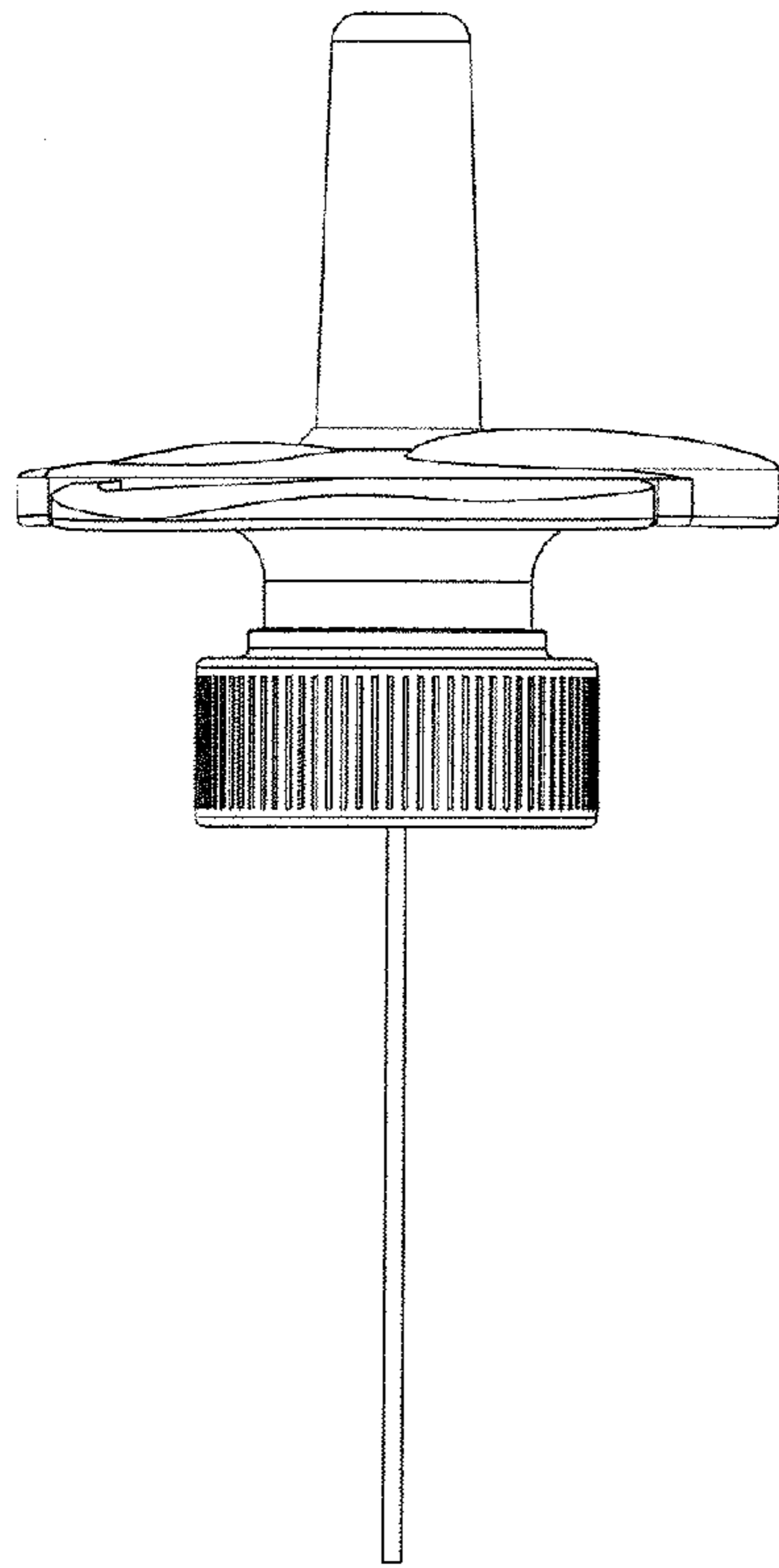


FIG. 13

FIG. 14