



US00D679001S

(12) **United States Design Patent**
Kelly

(10) **Patent No.:** **US D679,001 S**
(45) **Date of Patent:** **** Mar. 26, 2013**

(54) **MICRO DISPENSING PUMP**

(74) *Attorney, Agent, or Firm* — Gearhart Law, LLC

(76) Inventor: **Nigel Kelly**, Rye Brook, NY (US)

(57) **CLAIM**

(**) Term: **14 Years**

I claim the ornamental design for a micro dispensing pump, substantially as shown and described.

(21) Appl. No.: **29/373,965**

DESCRIPTION

(22) Filed: **Jun. 15, 2011**

(51) **LOC (9) Cl.** **24-02**

(52) **U.S. Cl.** **D24/113**

(58) **Field of Classification Search** D24/112–114,
D24/133, 186, 104, 130, 127, 111, 110, 150;
D9/682, 690, 691; 606/181, 185; 604/232,
604/187, 158, 164.08, 192, 263, 163, 181,
604/184, 198, 227, 19, 294, 295; 222/321.7,
222/321.1

See application file for complete search history.

FIG. 1 is front perspective view of a micro dispensing pump shown in the open position;
FIG. 2 is rear perspective view of a micro dispensing pump shown in the open position;
FIG. 3 is rear perspective view of a micro dispensing pump shown in the closed position;
FIG. 4 is front perspective view of a micro dispensing pump shown in the closed position;
FIG. 5 is a front elevational view of a micro dispensing pump shown in the open position;
FIG. 6 is a rear elevational view of a micro dispensing pump shown in the open position;
FIG. 7 is a front elevational view of a micro dispensing pump shown in the closed position;
FIG. 8 is a rear elevational view of a micro dispensing pump shown in the closed position;
FIG. 9 is a top plan view of a micro dispensing pump shown in the open position;
FIG. 10 is a right side elevational view of a micro dispensing pump shown in the open position, the left side view being a mirror image thereof;
FIG. 11 a top plan view of a micro dispensing pump shown in the closed position; and,
FIG. 12 is a right side elevational view of a micro dispensing pump shown in the closed position, the left side view being a mirror image thereof.

(56) **References Cited**

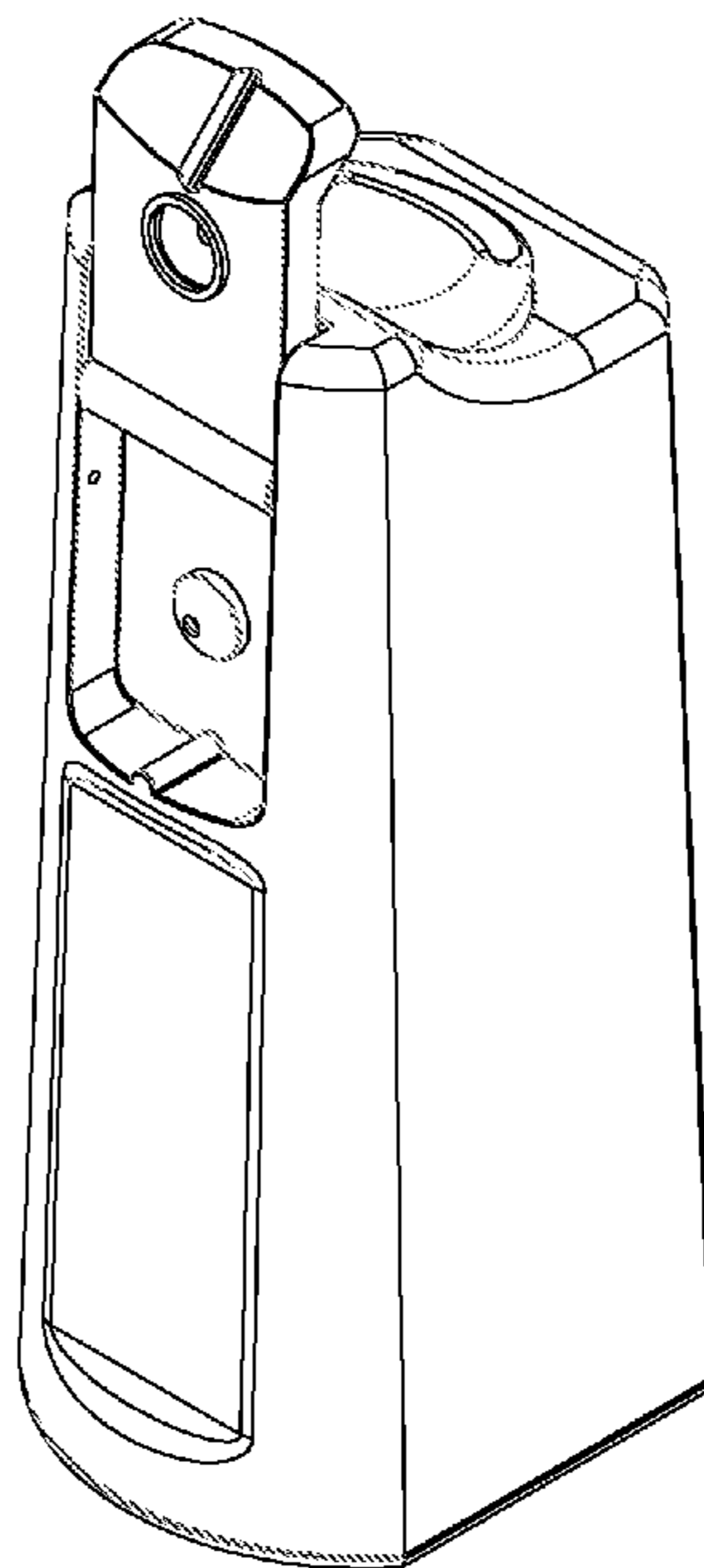
U.S. PATENT DOCUMENTS

6,305,580	B1 *	10/2001	Chen	222/321.7
6,729,501	B2 *	5/2004	Peterson	222/321.1
D495,946	S *	9/2004	Py et al.	D24/150
6,789,303	B2 *	9/2004	Maas et al.	222/321.7
D513,387	S *	1/2006	Limbert	D9/682
D553,002	S *	10/2007	Petek	D9/682
D608,655	S *	1/2010	Brewer et al.	D9/691
7,651,011	B2 *	1/2010	Cohen et al.	222/321.7
7,815,077	B2 *	10/2010	Yang et al.	222/321.7
7,867,175	B2 *	1/2011	Nakamura et al.	606/181
8,028,861	B2 *	10/2011	Brouwer	222/321.7
D650,065	S *	12/2011	Berger et al.	D24/110
8,105,279	B2 *	1/2012	Mernoe et al.	604/19

* cited by examiner

Primary Examiner — David Muller

1 Claim, 6 Drawing Sheets



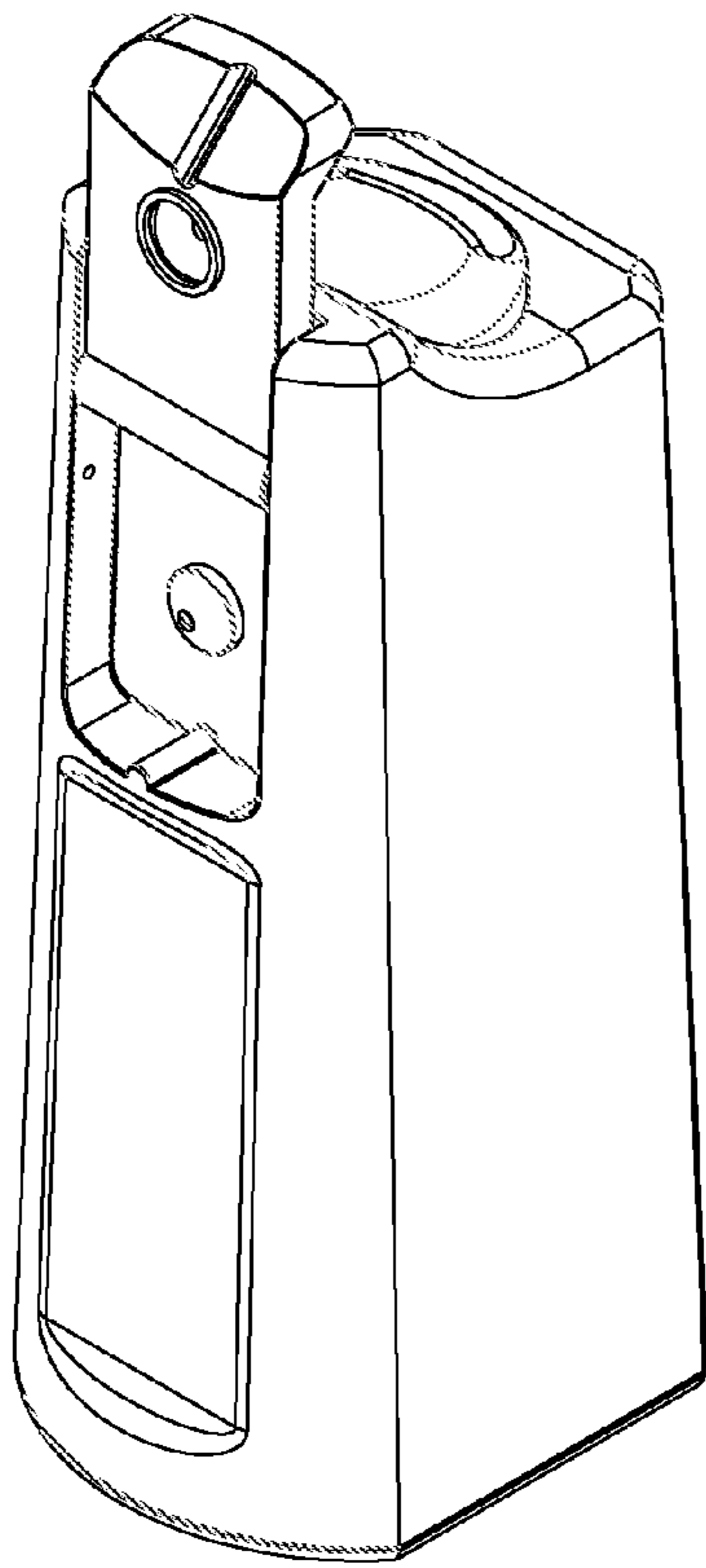


FIG.1

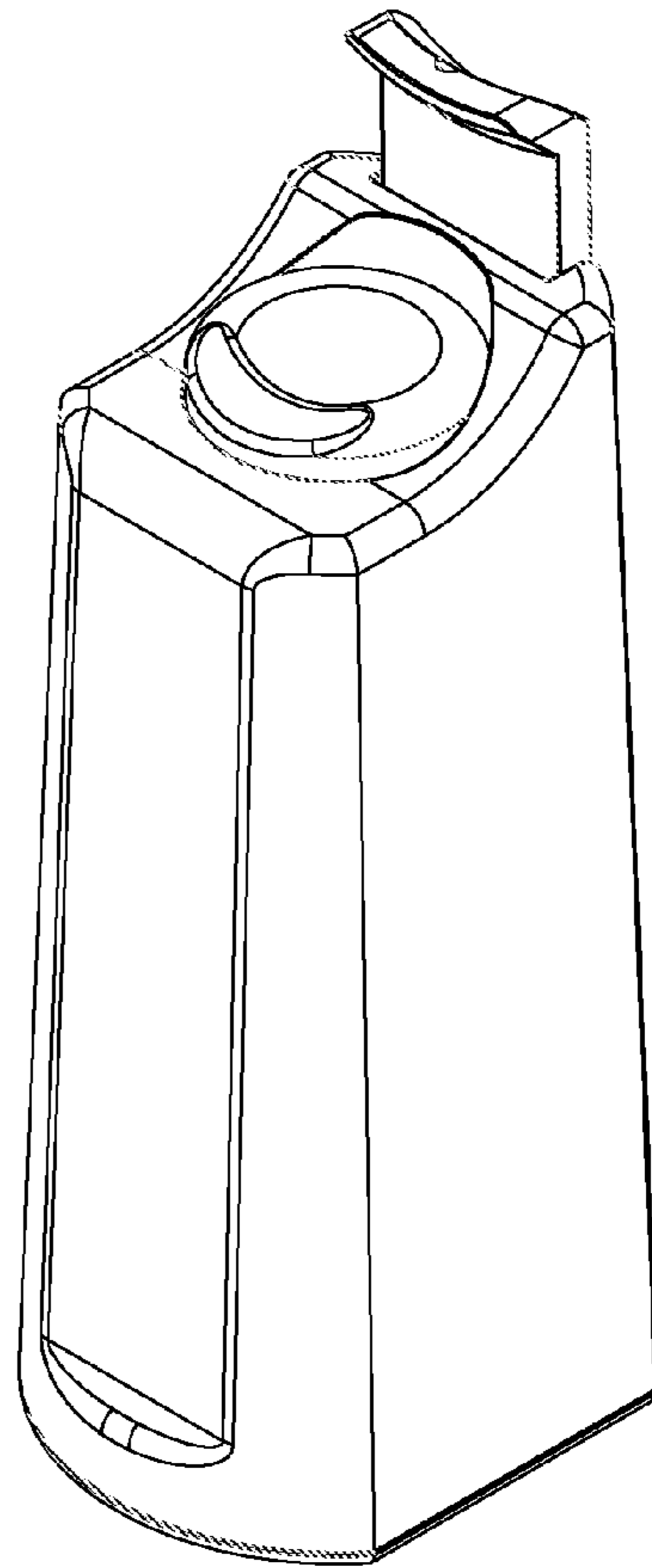


FIG.2

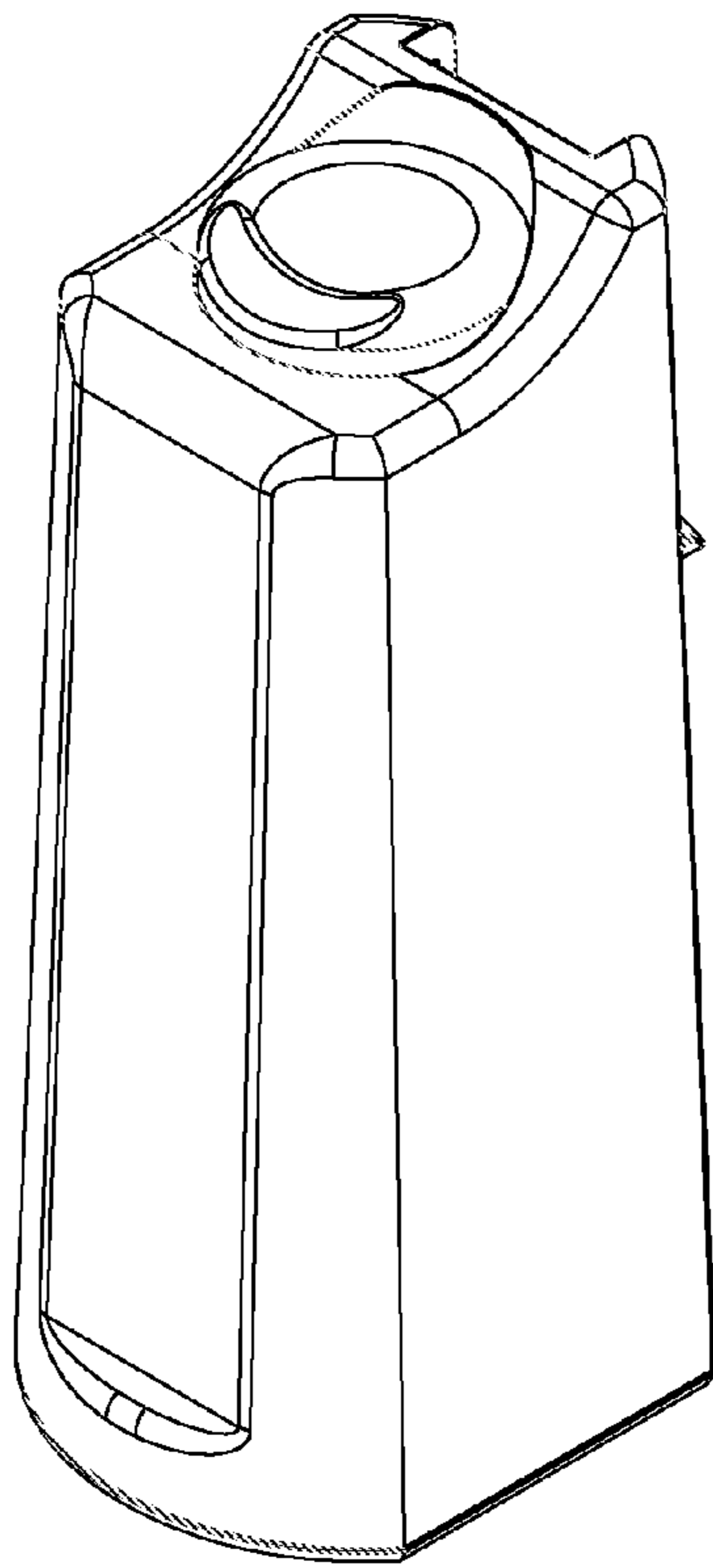


FIG.3

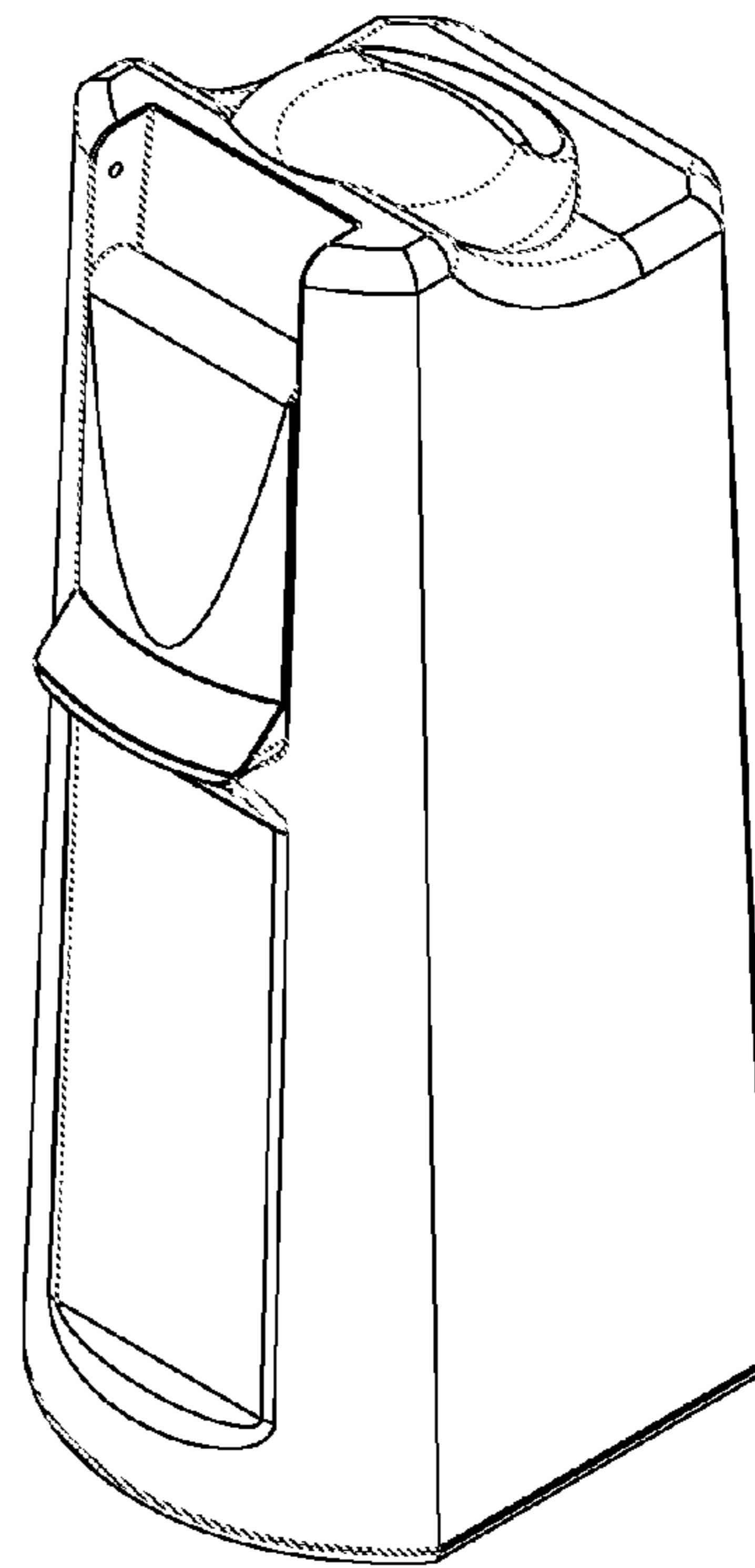


FIG.4

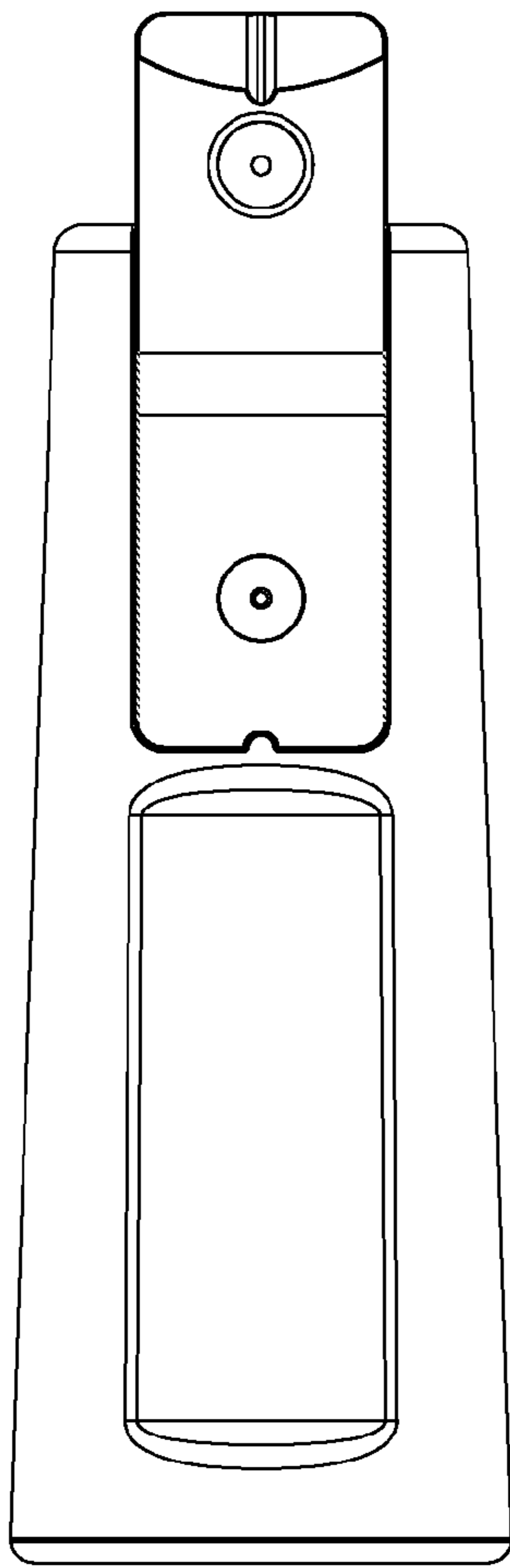


FIG.5

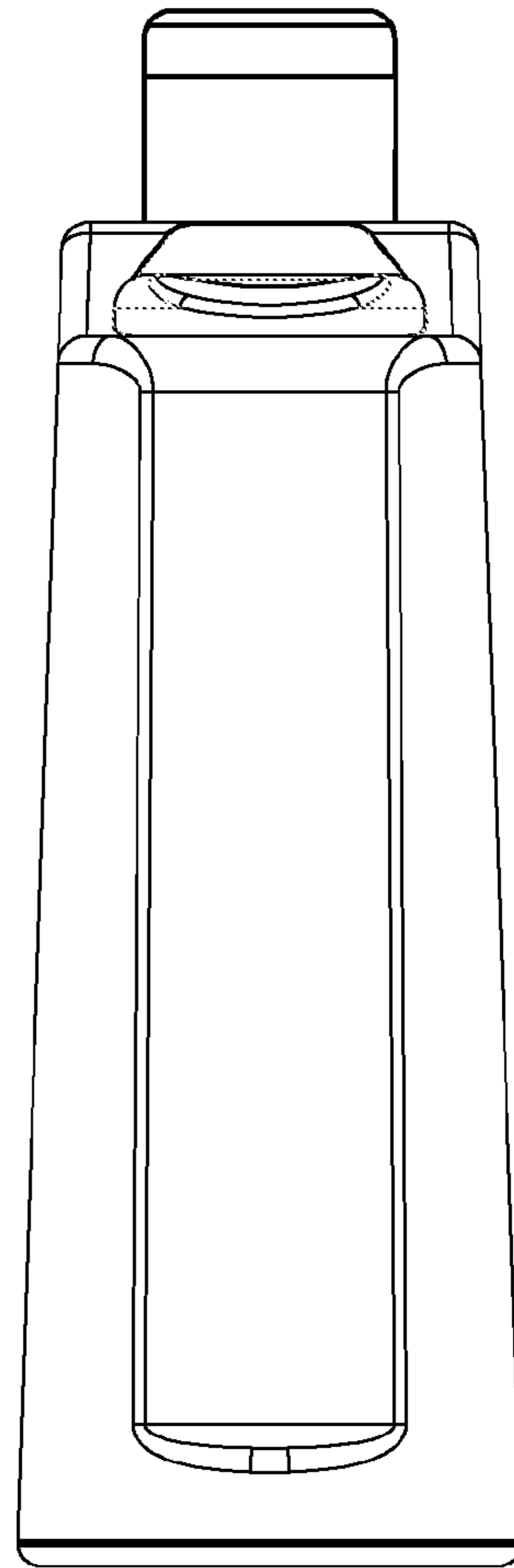


FIG.6

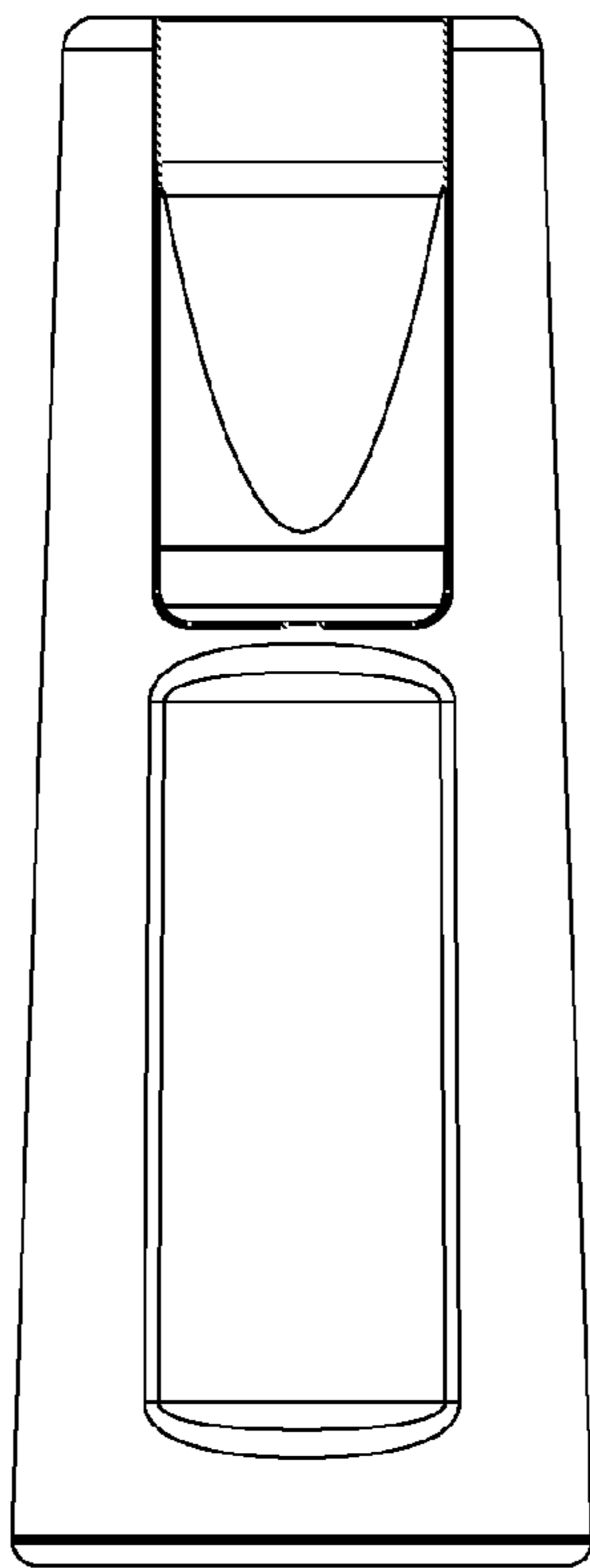


FIG. 7

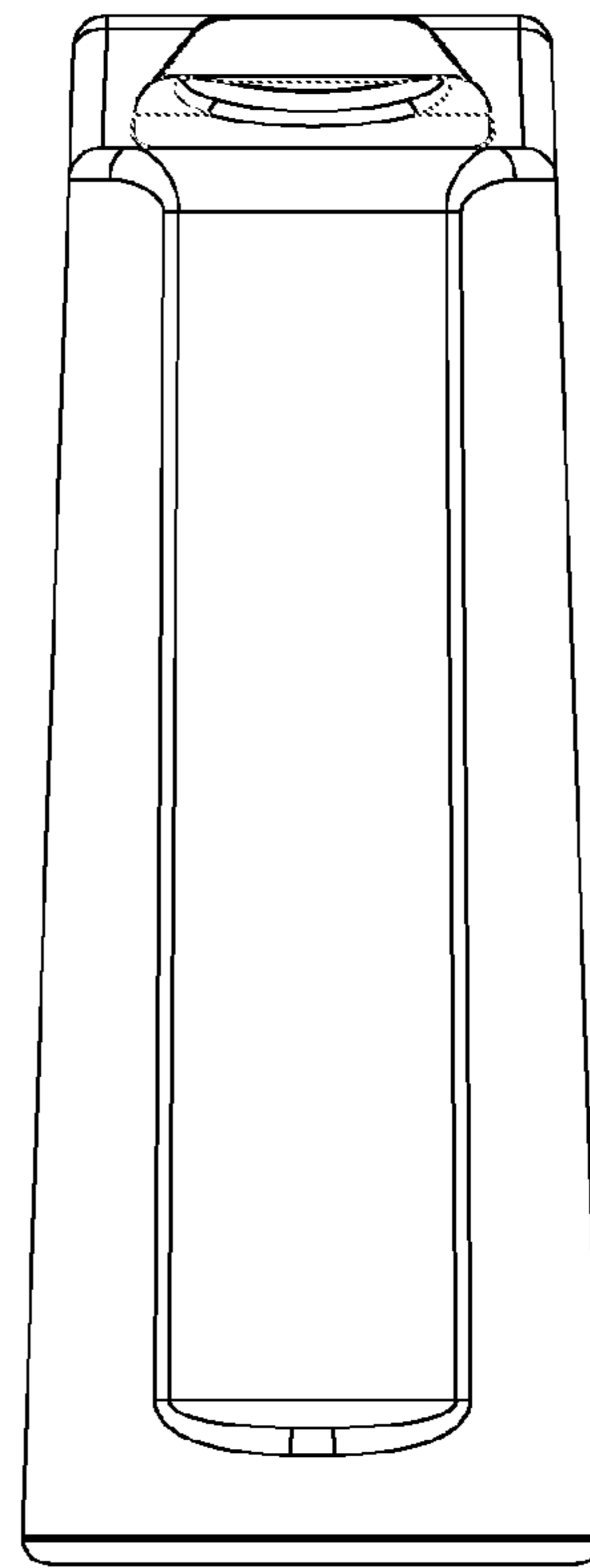


FIG. 8

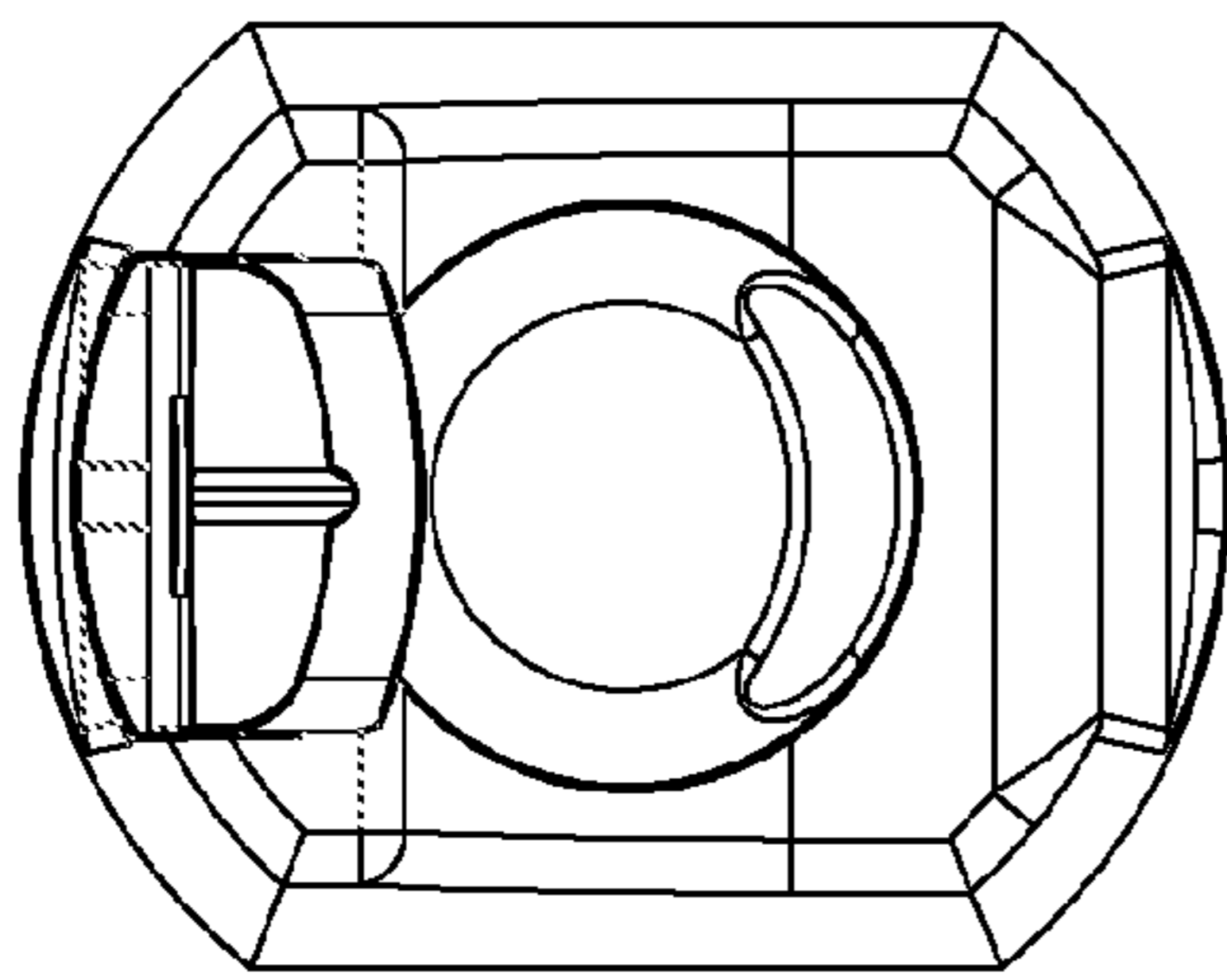


FIG. 9

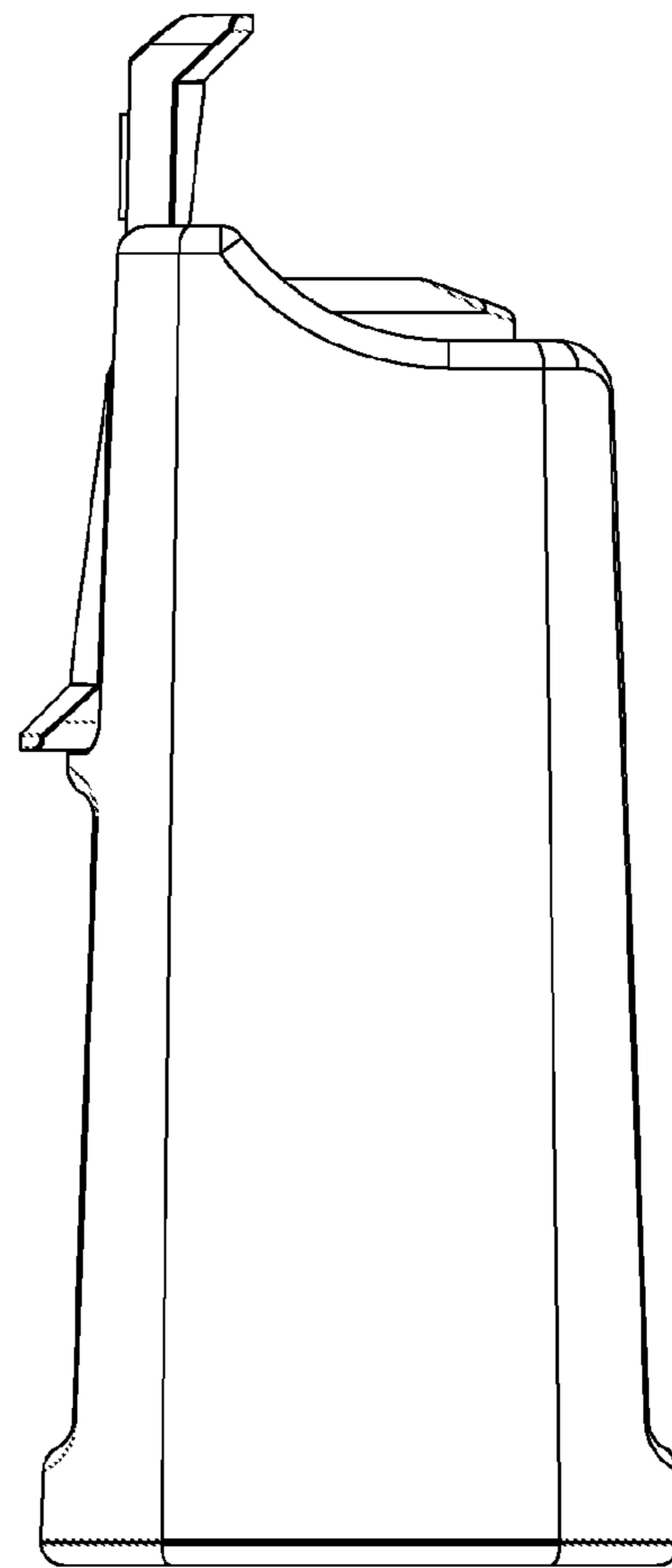


FIG. 10

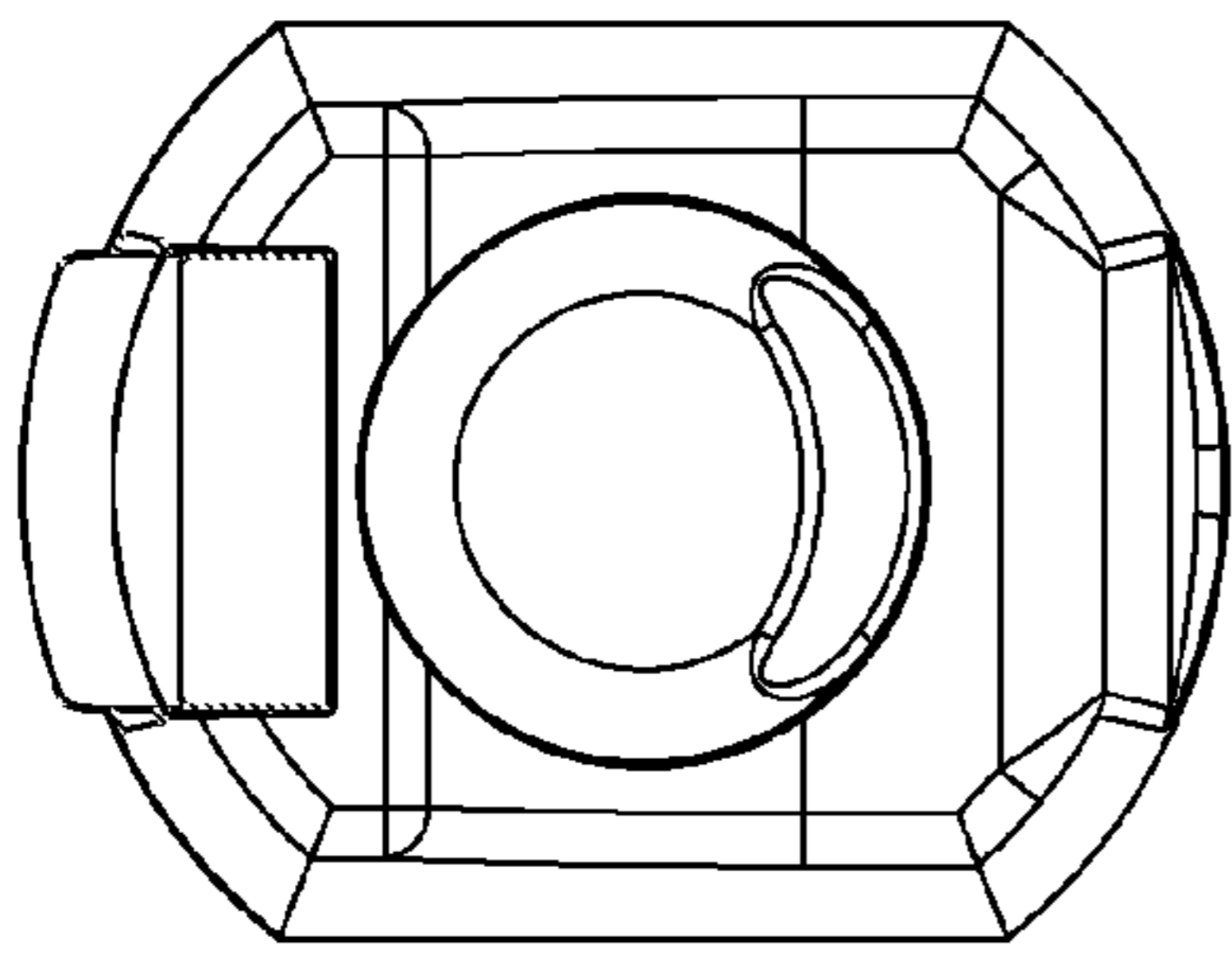


FIG.11

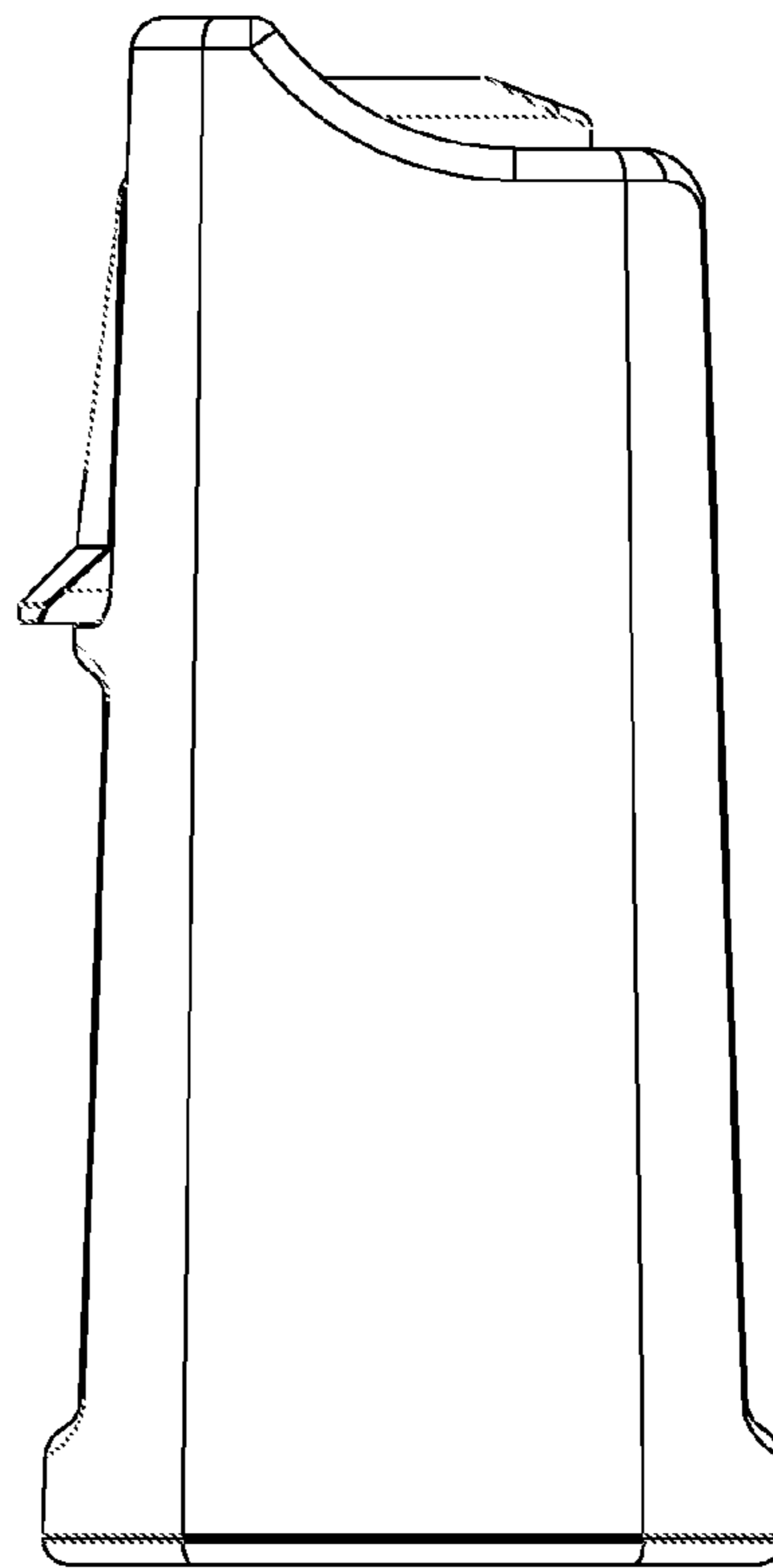


FIG.12