



US00D678998S

(12) **United States Design Patent**
Galbriath et al.

(10) **Patent No.:** **US D678,998 S**
(45) **Date of Patent:** **** Mar. 26, 2013**

(54) **MEDICAL DISPENSING DEVICE**

(75) Inventors: **Sofia Galbriath**, Solothurn (CH); **Simon Scheurer**, Bern (CH); **Mike Unwin**, Bristol (GB); **Tom Walker**, Bristol (GB)

(73) Assignee: **F. Hoffmann-La Roche AG**, Basel (CH)

(**) Term: **14 Years**

(21) Appl. No.: **29/358,966**

(22) Filed: **Apr. 2, 2010**

(30) **Foreign Application Priority Data**

Oct. 5, 2009 (CH) 136.394

(51) **LOC (9) Cl.** **24-01**

(52) **U.S. Cl.** **D24/108**

(58) **Field of Classification Search** D24/108,
D24/11, 112, 113, 127, 128, 129; 604/67,
604/152, 181, 184, 187, 164.1

See application file for complete search history.

(56) **References Cited**

U.S. PATENT DOCUMENTS

5,858,001	A *	1/1999	Tsals et al.	604/135
D554,253	S *	10/2007	Kornerup	D24/108
D576,725	S *	9/2008	Shumer et al.	D24/133
D602,586	S *	10/2009	Foley et al.	D24/113
7,713,262	B2 *	5/2010	Adams et al.	604/890.1
7,828,771	B2 *	11/2010	Chiang et al.	604/132
D632,783	S *	2/2011	Maesarapu	D24/129
2003/0135159	A1 *	7/2003	Daily et al.	604/141

* cited by examiner

Primary Examiner — Richard E Chilcot

(74) *Attorney, Agent, or Firm* — Fredrikson & Byron, P.A.

(57) **CLAIM**

We claim the ornamental design for a medical dispensing device, as shown and described.

DESCRIPTION

FIG. 1 is a rear perspective view incorporating our new design;

FIG. 2 is a front perspective view thereof;

FIG. 3 is a top elevation view thereof;

FIG. 4 is a right side elevation view thereof

FIG. 5 is a left side elevation view thereof;

FIG. 6 is a bottom elevation view thereof;

FIG. 7 is a rear perspective view incorporating our new design according to a second embodiment;

FIG. 8 is a front perspective view thereof;

FIG. 9 is a top elevation view thereof;

FIG. 10 is a right side elevation view thereof

FIG. 11 is a left side elevation view thereof;

FIG. 12 is a bottom elevation view thereof;

FIG. 13 is a rear perspective view incorporating our new design according to a third embodiment;

FIG. 14 is a front perspective view thereof;

FIG. 15 is a top elevation view thereof;

FIG. 16 is a right side elevation view thereof

FIG. 17 is a left side elevation view thereof; and,

FIG. 18 is a bottom elevation view thereof.

1 Claim, 18 Drawing Sheets

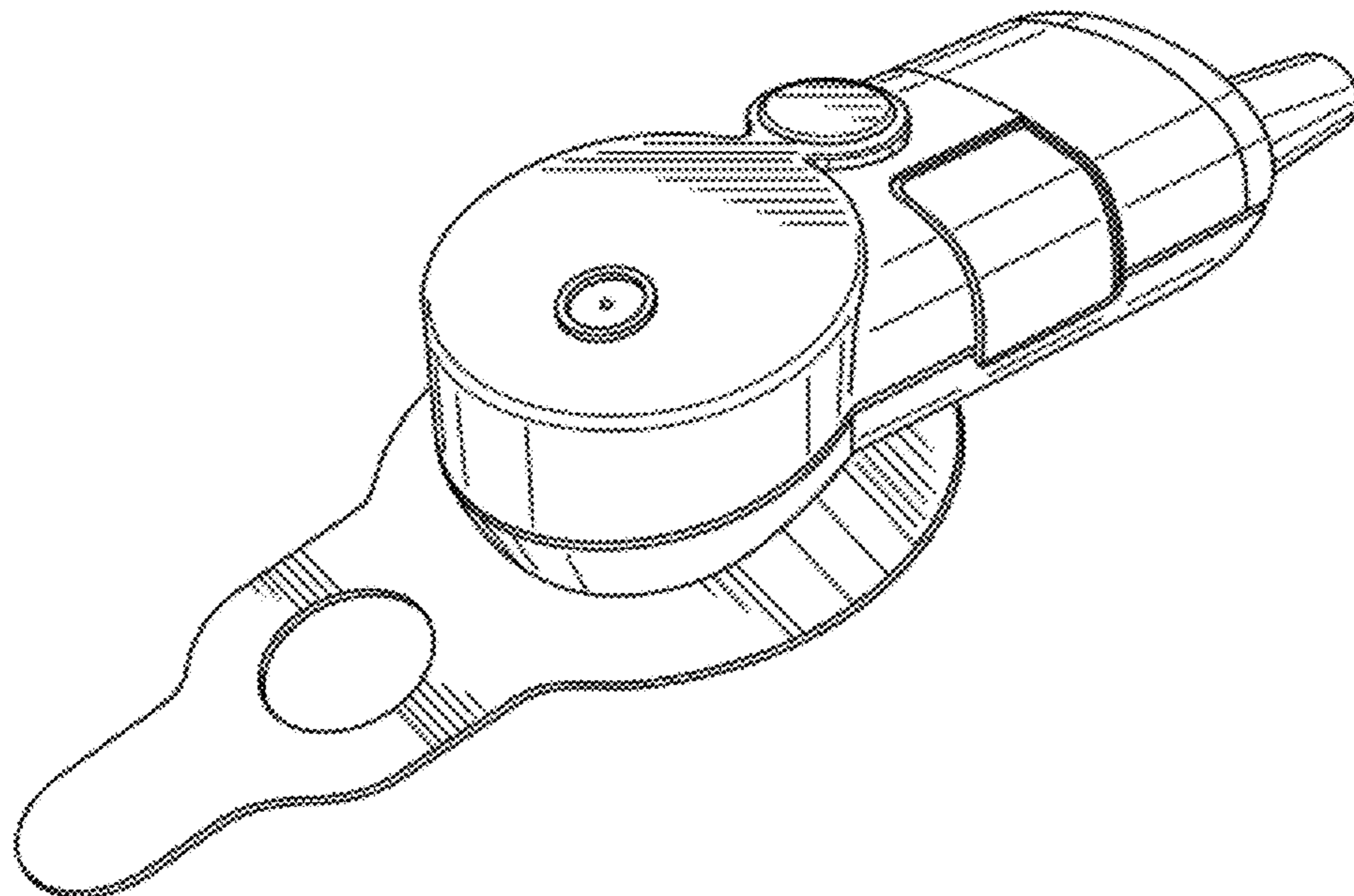


Fig. 1

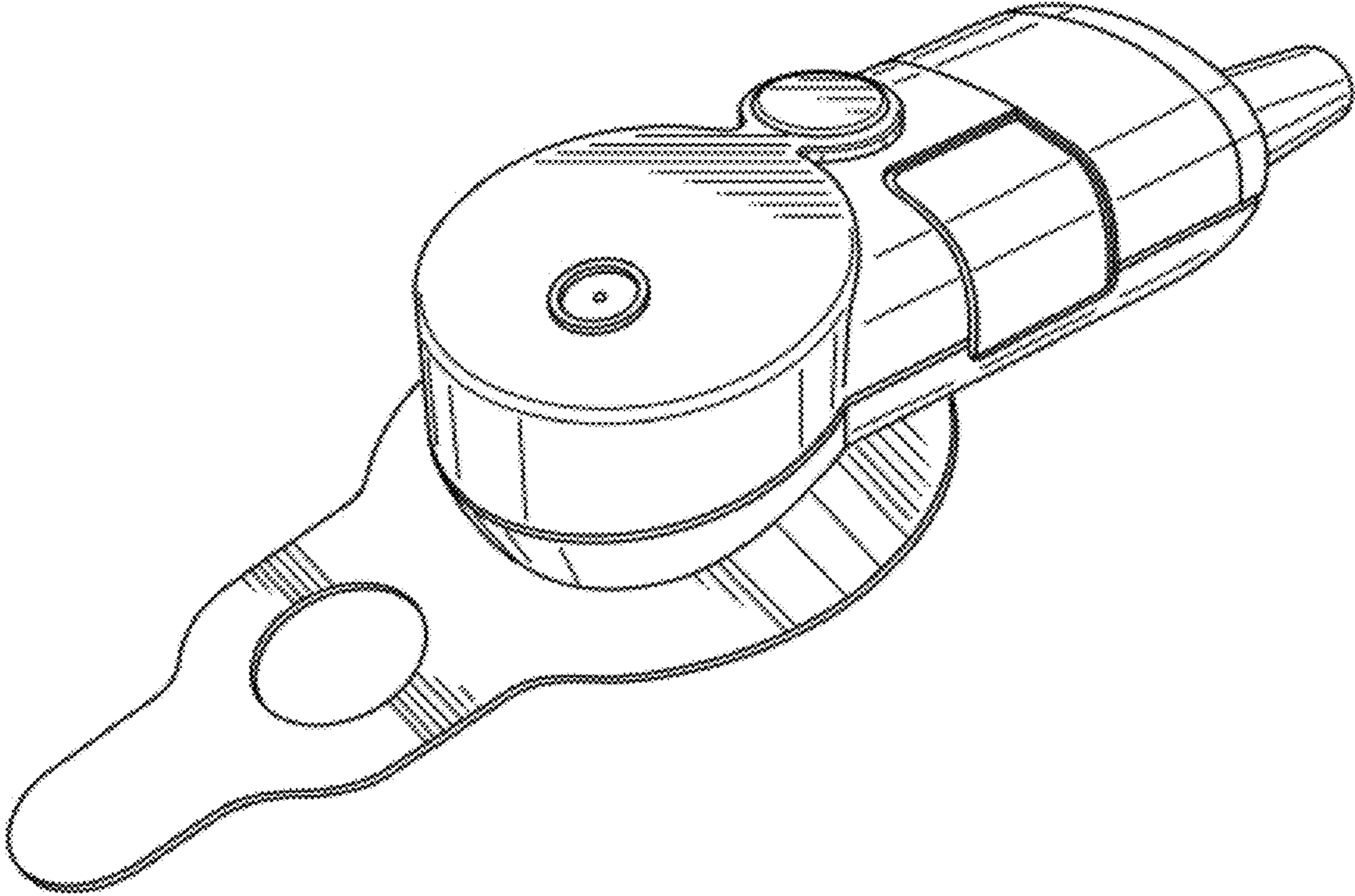


Fig. 2

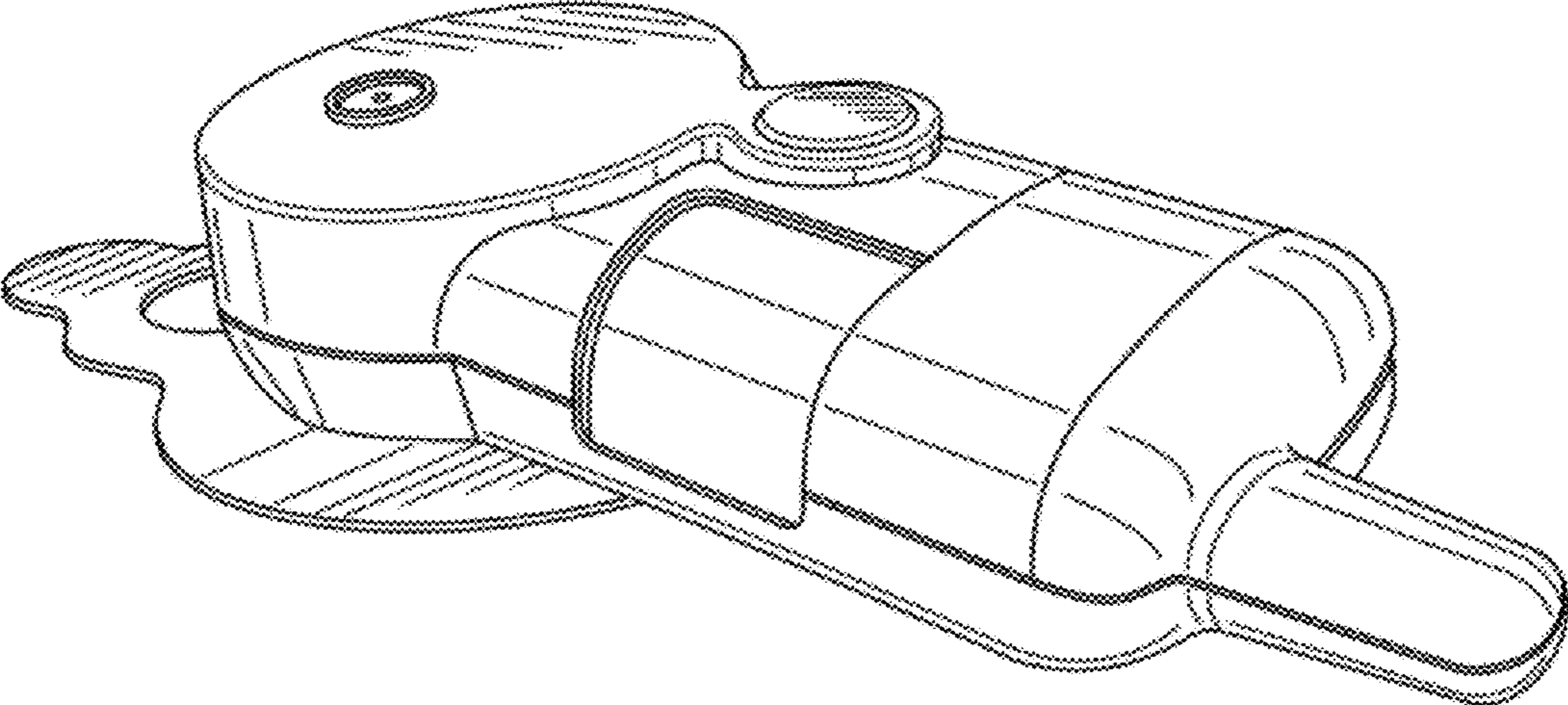


Fig. 3

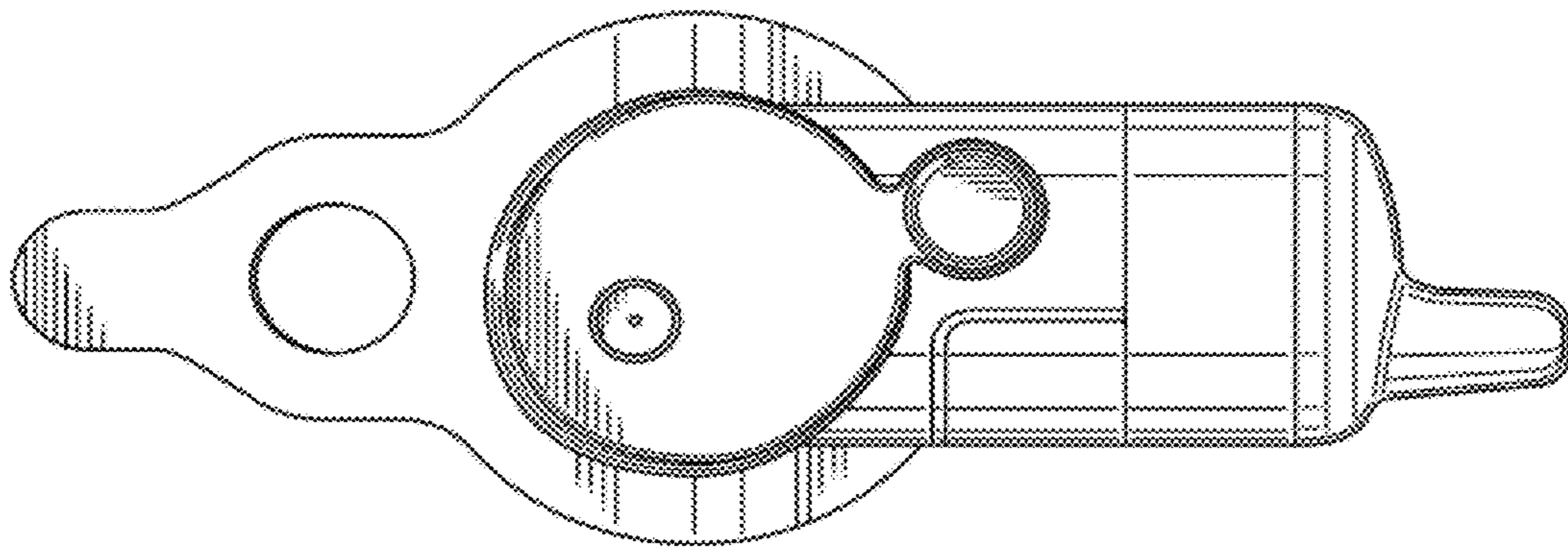


Fig. 4

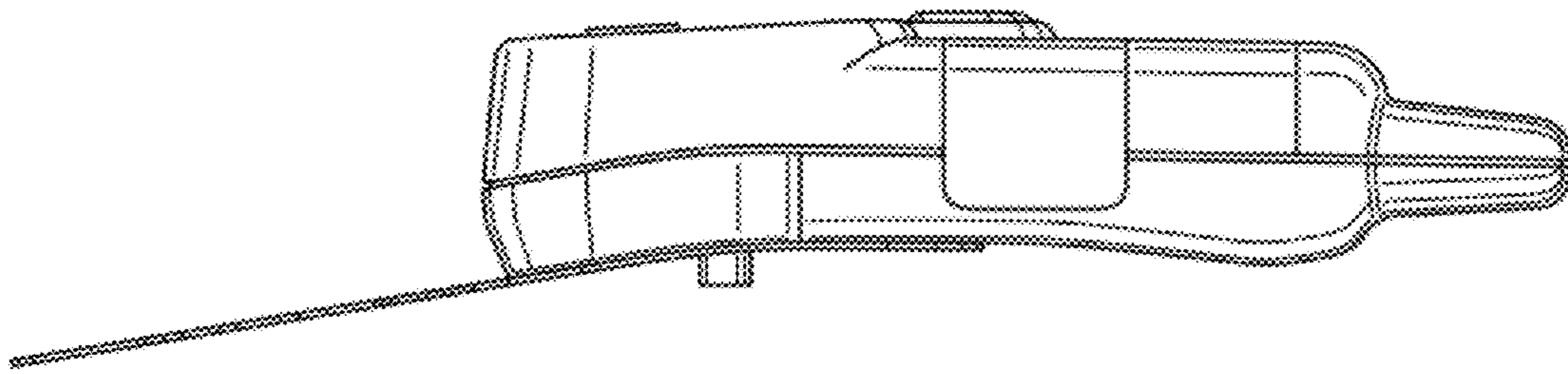


Fig. 5

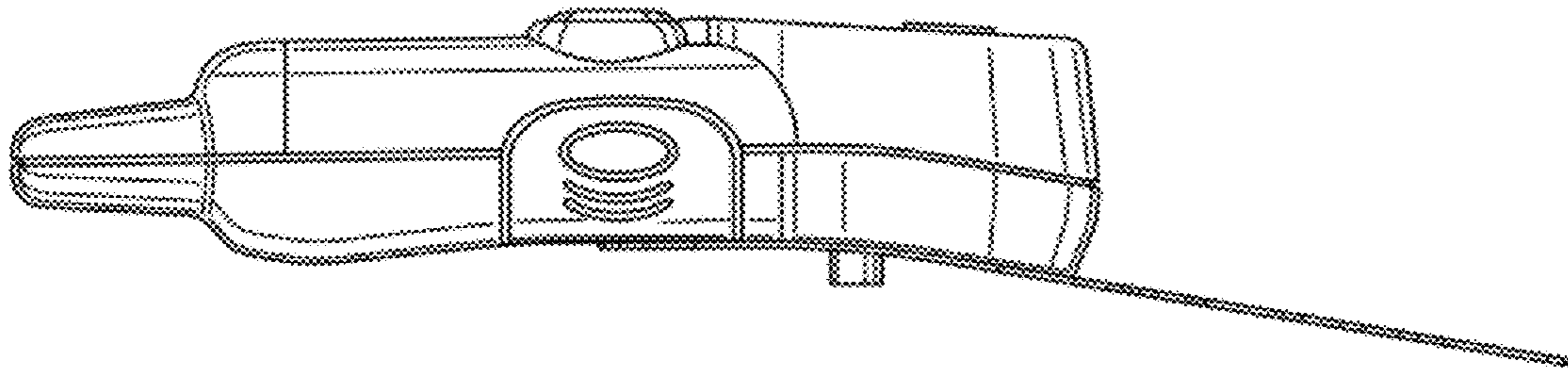


Fig. 6

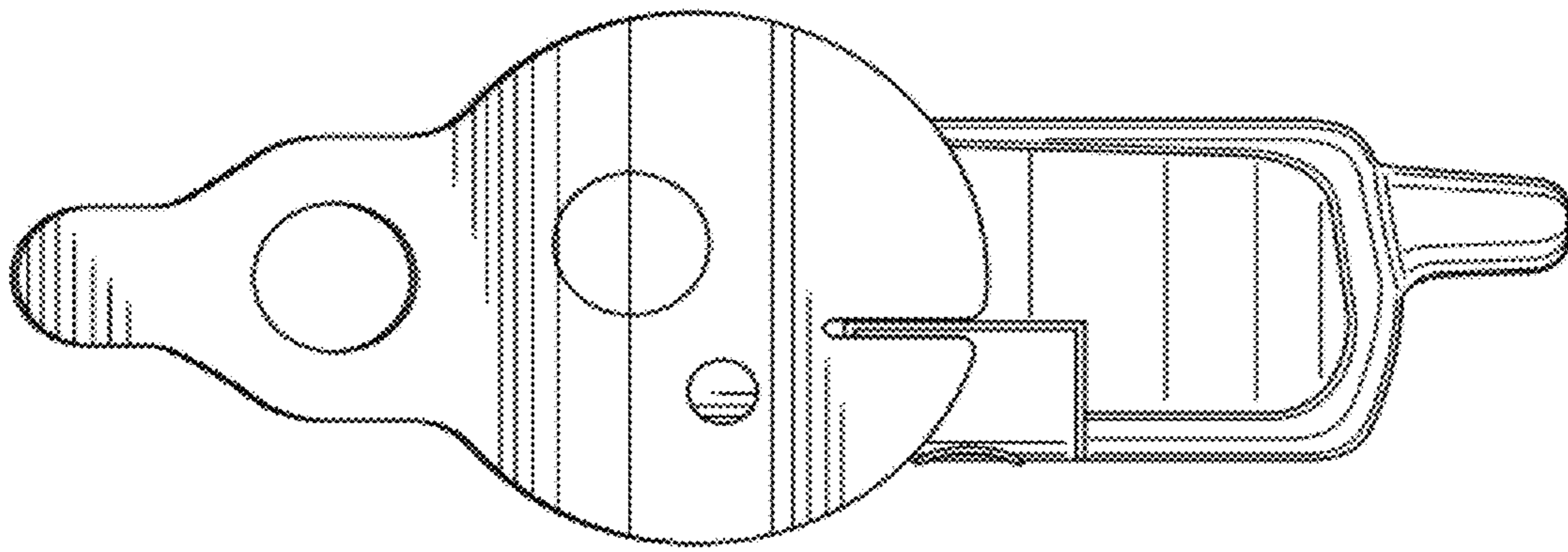


Fig. 7

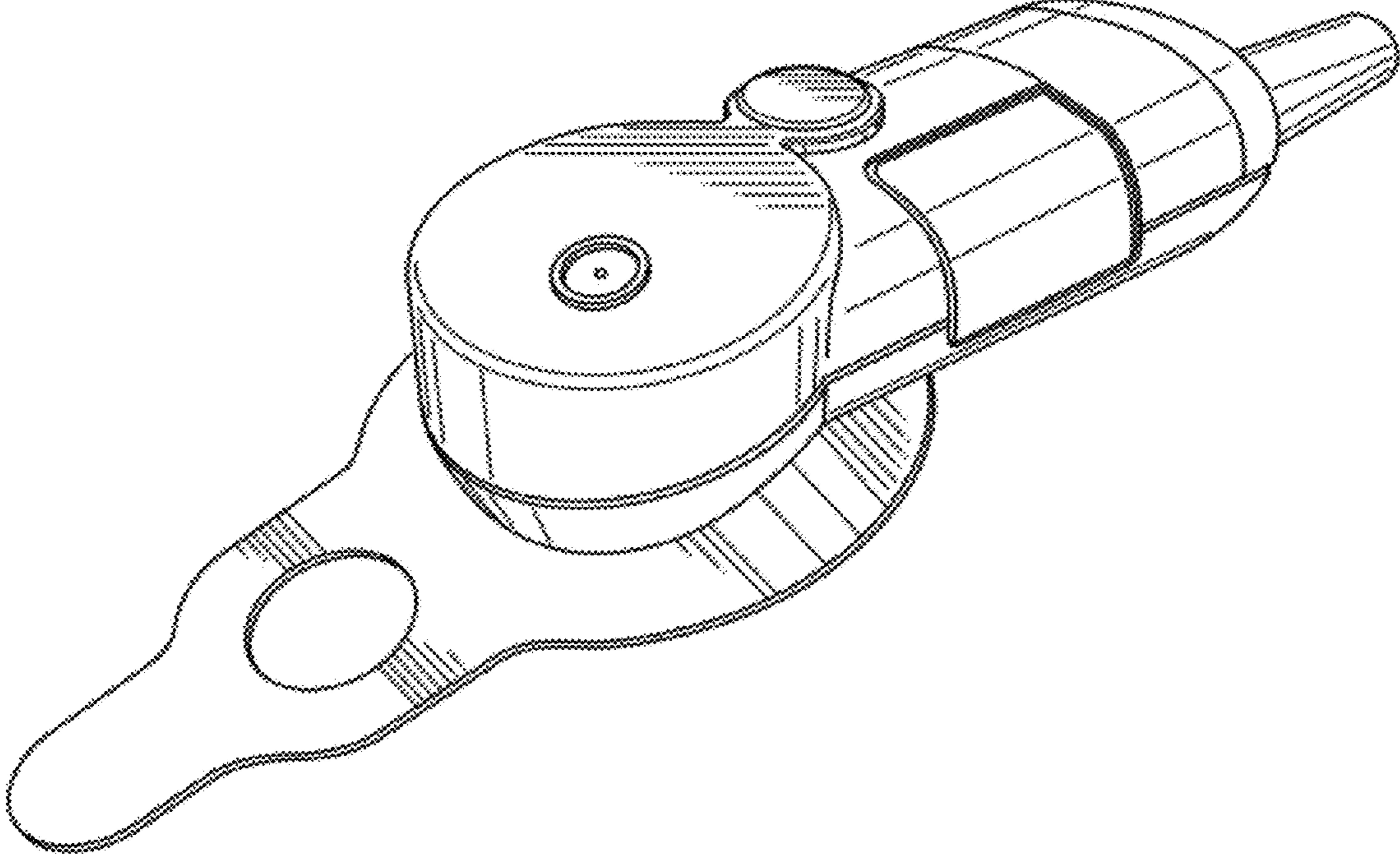


Fig. 8

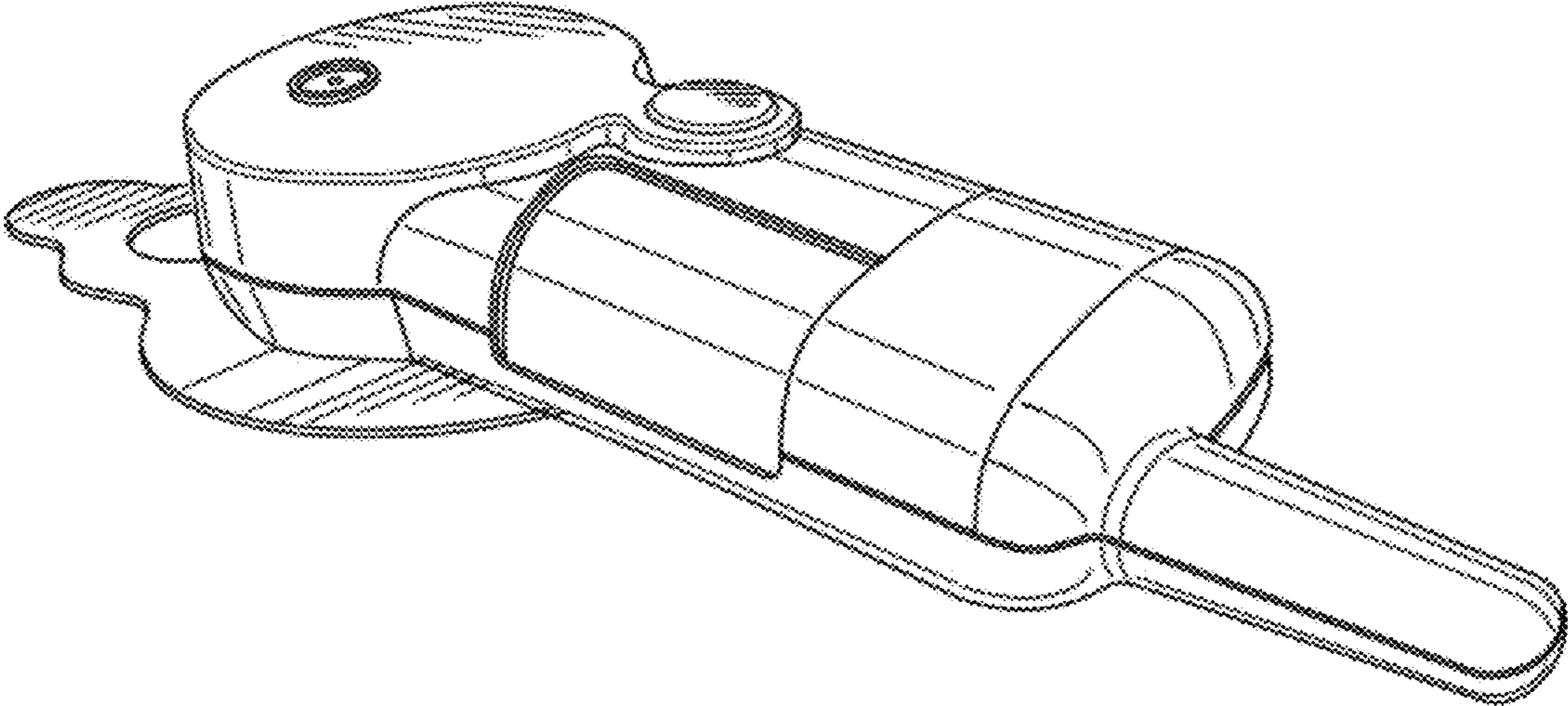


Fig. 9

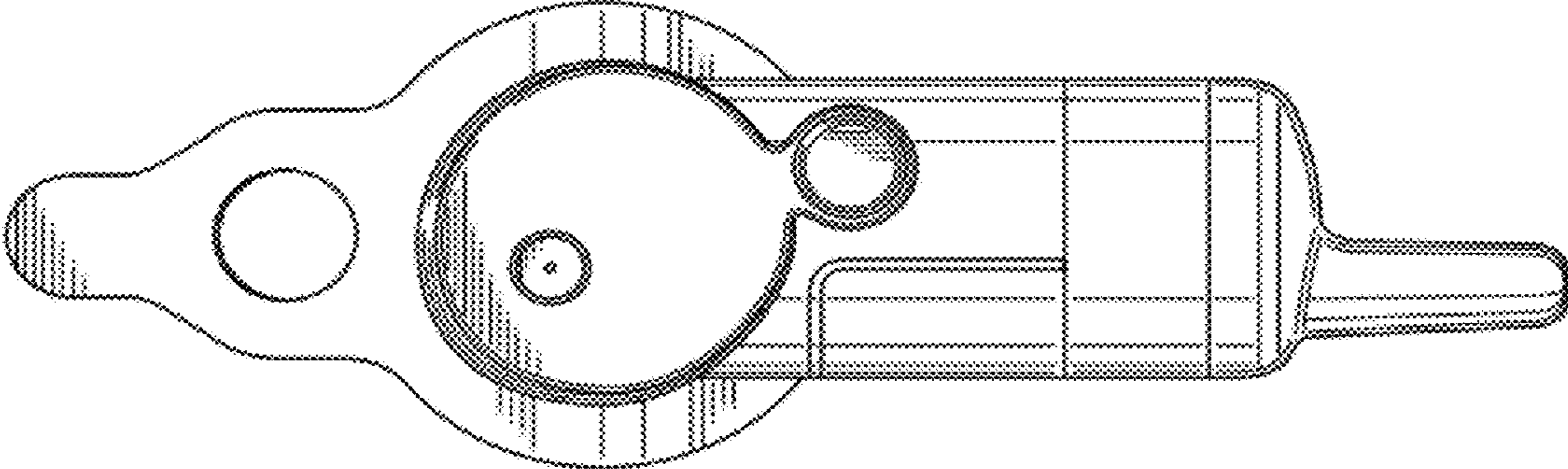


Fig. 10

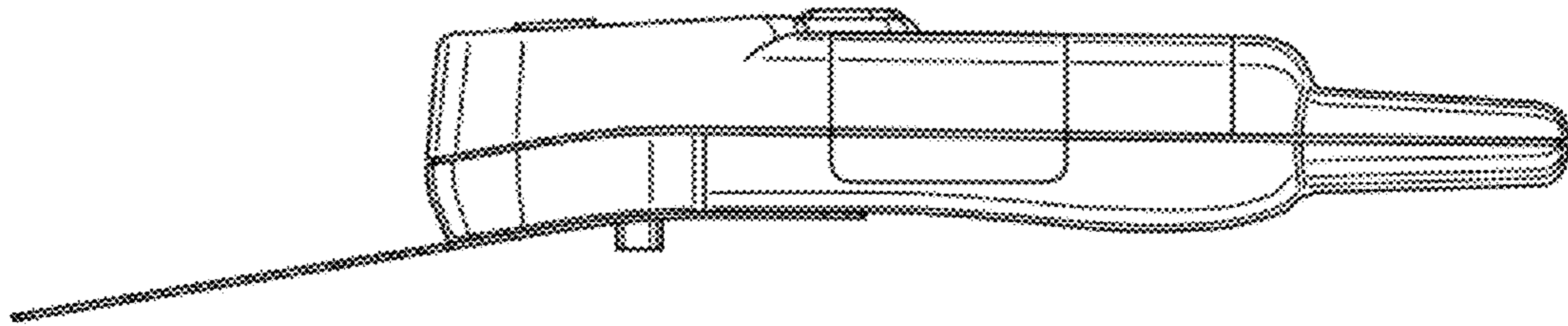


Fig. 11

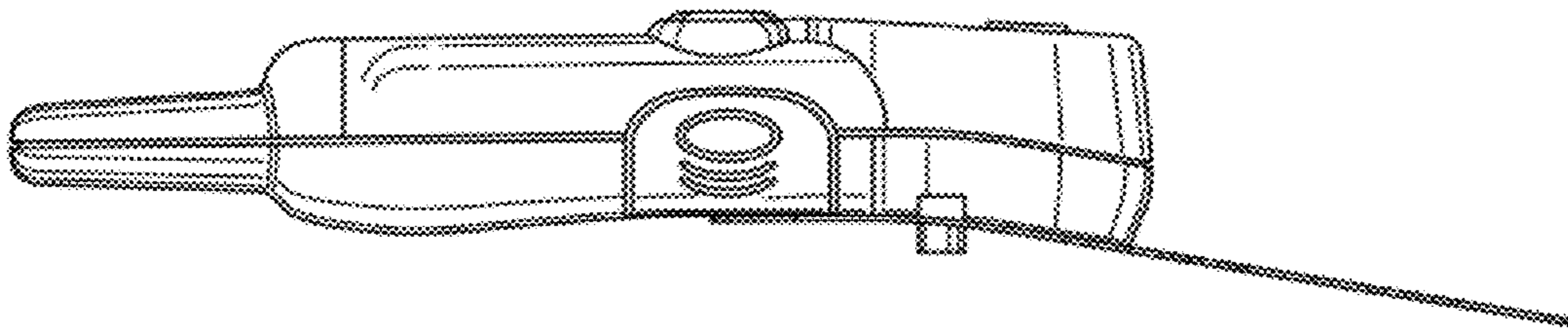


Fig. 12

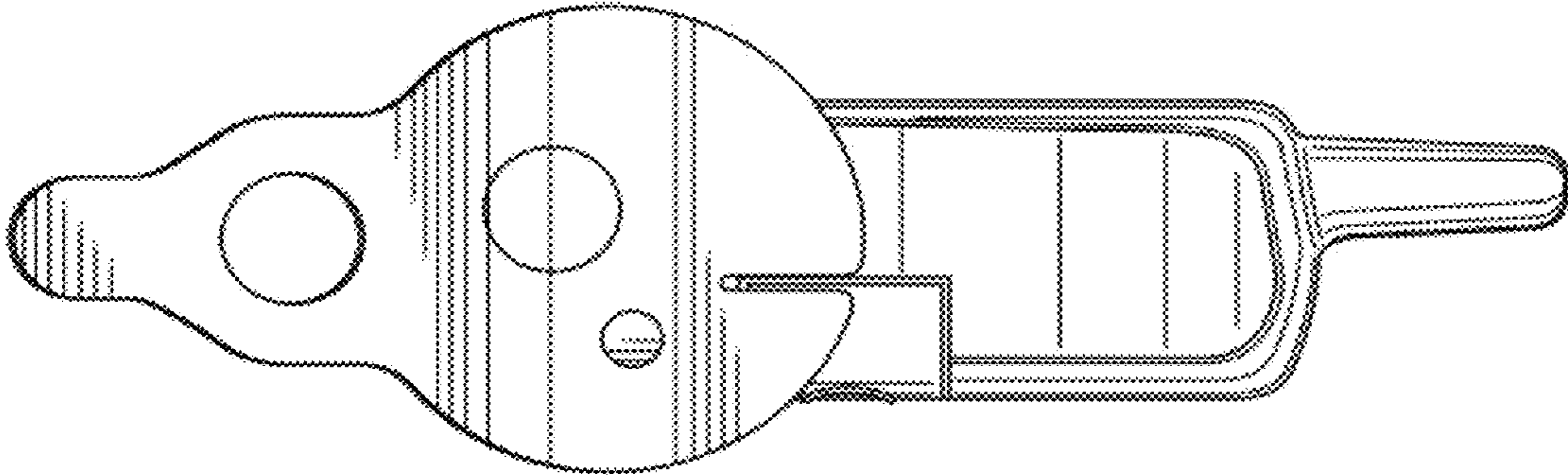


Fig. 13

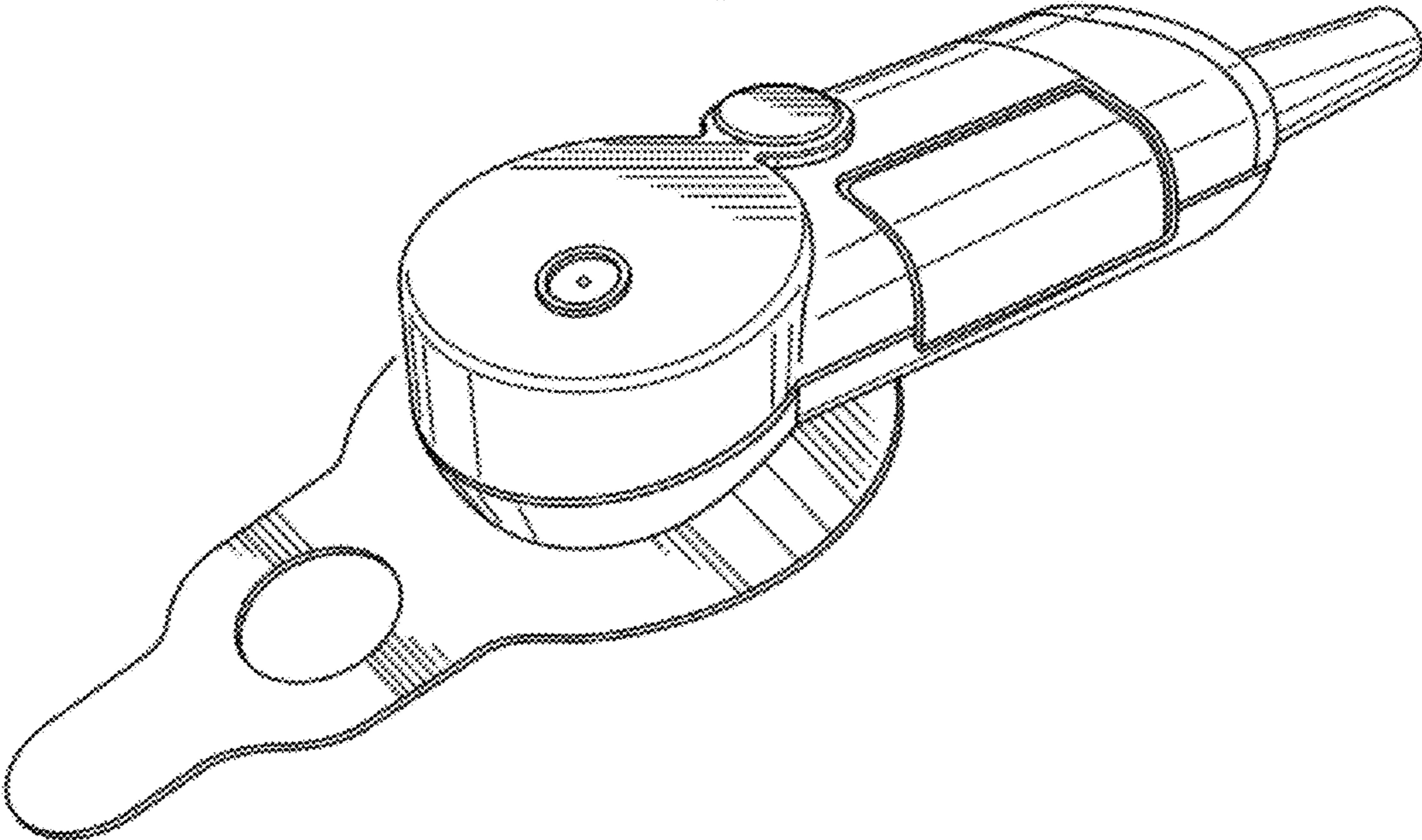


Fig. 14

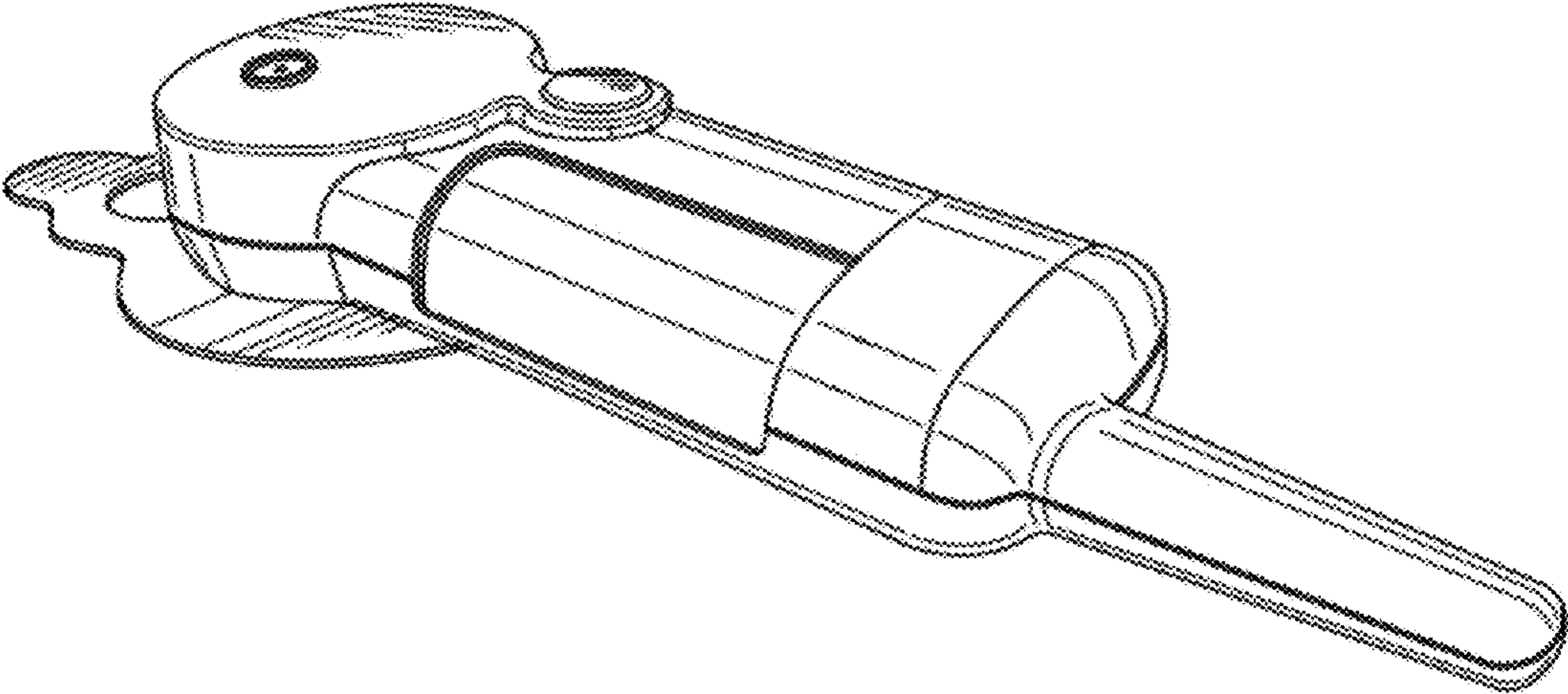


Fig. 15

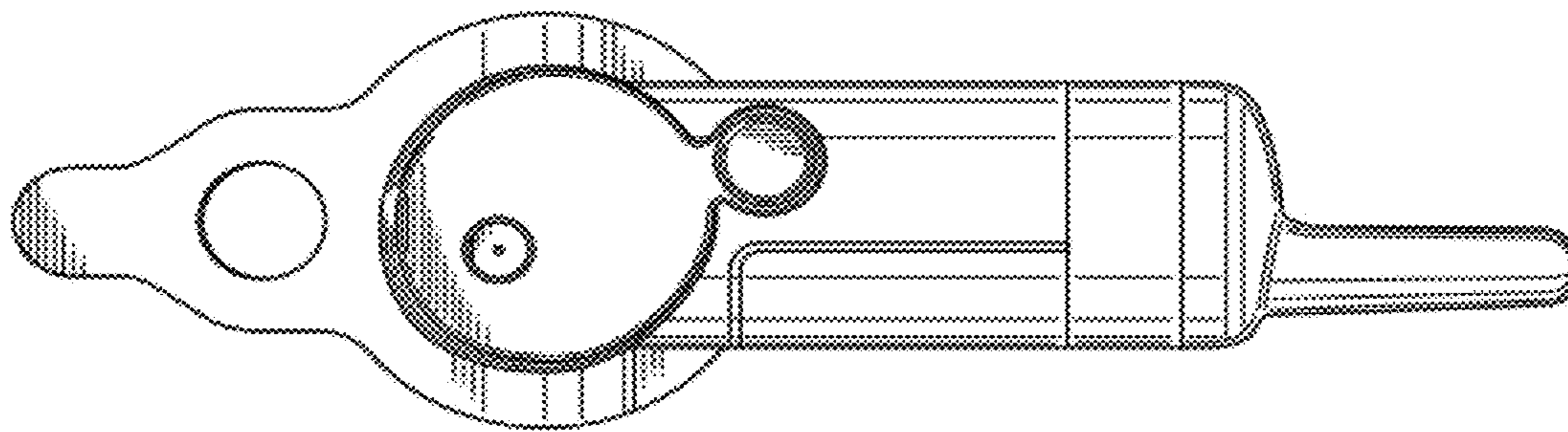


Fig. 16

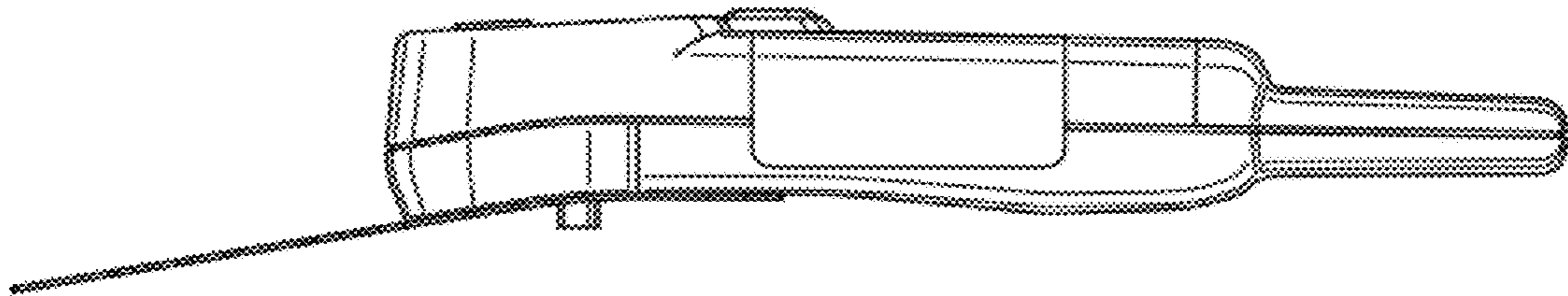


Fig. 17

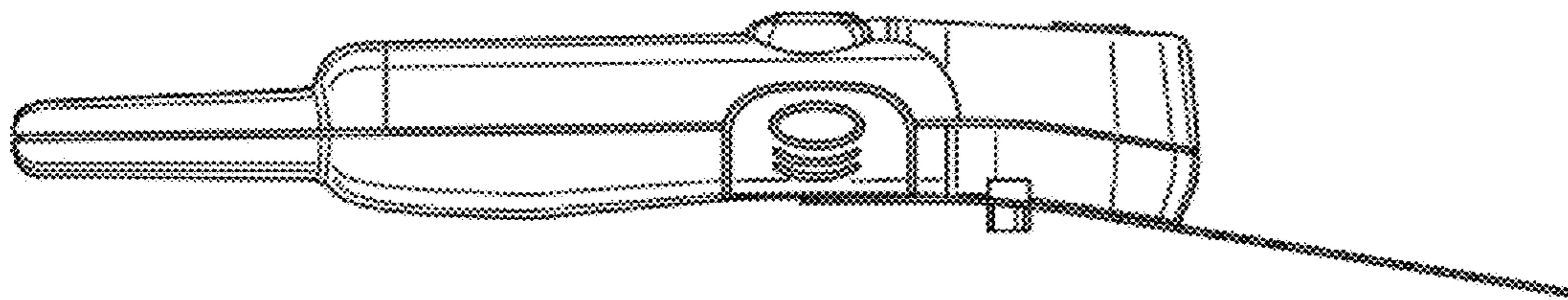


Fig. 18

