



US00D678997S

(12) **United States Design Patent**
Gajewski

(10) **Patent No.:** **US D678,997 S**

(45) **Date of Patent:** **** *Mar. 26, 2013**

(54) **CEILING FAN**

(75) Inventor: **Mark Gajewski**, Avila Beach, CA (US)

(73) Assignee: **Minka Lighting, Inc.**, Corona, CA (US)

(*) Notice: This patent is subject to a terminal disclaimer.

(**) Term: **14 Years**

(21) Appl. No.: **29/382,851**

(22) Filed: **Jan. 7, 2011**

(51) **LOC (9) Cl.** **23-04**

(52) **U.S. Cl.** **D23/413; D23/372**

(58) **Field of Classification Search** D13/179;
D23/370-394, 411-414; D26/51, 59, 72,
D26/81-86; 34/169; 52/302.1, 302.7; 55/DIG. 36;
123/41.7; 126/58, 60, 61, 64-66, 84, 299 D-299 F,
126/299 R, 300, 301, 312, 531; 138/118,
138/121, 172, 173, 177; 165/54, 59; 285/133.6;
392/364; 415/126, 127, 213.1, 214.1; 416/5,
416/204 R, 210 R, 234, 237, 244 R, 247 R;
454/41, 42, 233, 236, 250-253, 275-277,
454/284, 309, 367, 368

See application file for complete search history.

(56) **References Cited**

U.S. PATENT DOCUMENTS

1,361,277	A *	12/1920	Mott	416/237
1,506,937	A *	9/1924	Miller	416/228
1,552,637	A *	9/1925	Motheral	416/237
D323,028	S *	1/1992	Holbrook	D23/377
D348,729	S *	7/1994	Mason	D23/411

D466,206	S *	11/2002	Gajewski	D23/377
D475,782	S *	6/2003	Hidalgo	D23/411
D476,408	S *	6/2003	Hidalgo	D23/411
D599,003	S *	8/2009	Hidalgo	D23/411
2012/0177496	A1 *	7/2012	Gajewski	416/204 R

* cited by examiner

Primary Examiner — Garth Rademaker

(74) *Attorney, Agent, or Firm* — Baker & McKenzie LLP

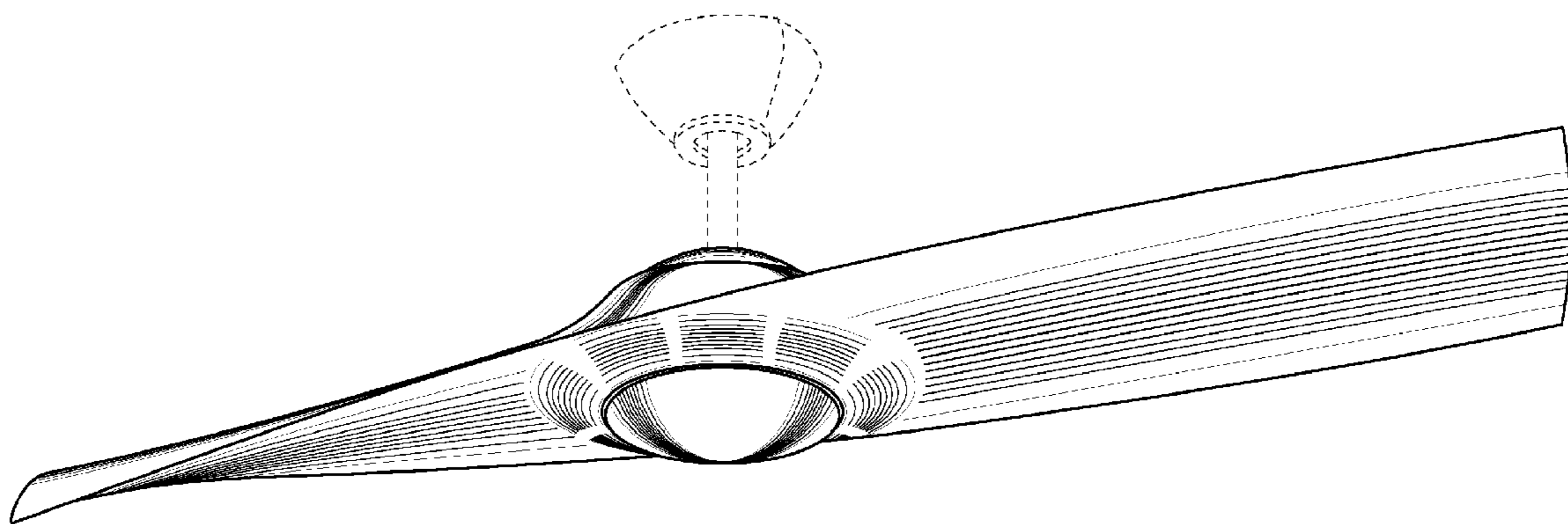
(57) **CLAIM**

The ornamental design for a ceiling fan, as shown and described.

DESCRIPTION

FIG. 1 is a bottom perspective view of a first embodiment of a ceiling fan in accordance with my new design;
 FIG. 2 is a side elevation view thereof, with the opposite side view being identical thereto;
 FIG. 3 is a front elevation view thereof, with the rear elevation view being identical thereto;
 FIG. 4 is a top plan view thereof;
 FIG. 5 is a bottom plan view thereof;
 FIG. 6 is a bottom perspective view of a second embodiment of a ceiling fan in accordance with my new design;
 FIG. 7 is a side elevation view thereof, with the opposite side view being identical thereto;
 FIG. 8 is a front elevation view thereof, with the rear elevation view being identical thereto; and,
 FIG. 9 is a bottom plan view thereof.
 The top view of the second embodiment of the design is identical to the top view of the first embodiment of the design, shown in FIG. 4.

1 Claim, 4 Drawing Sheets



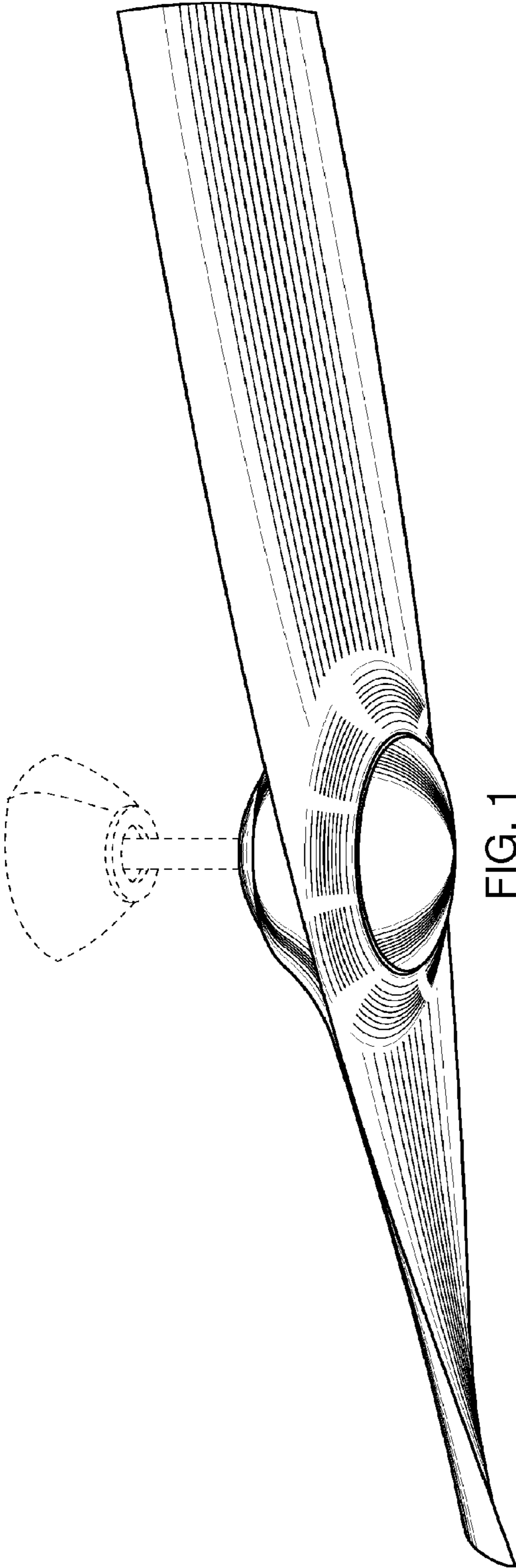


FIG. 1

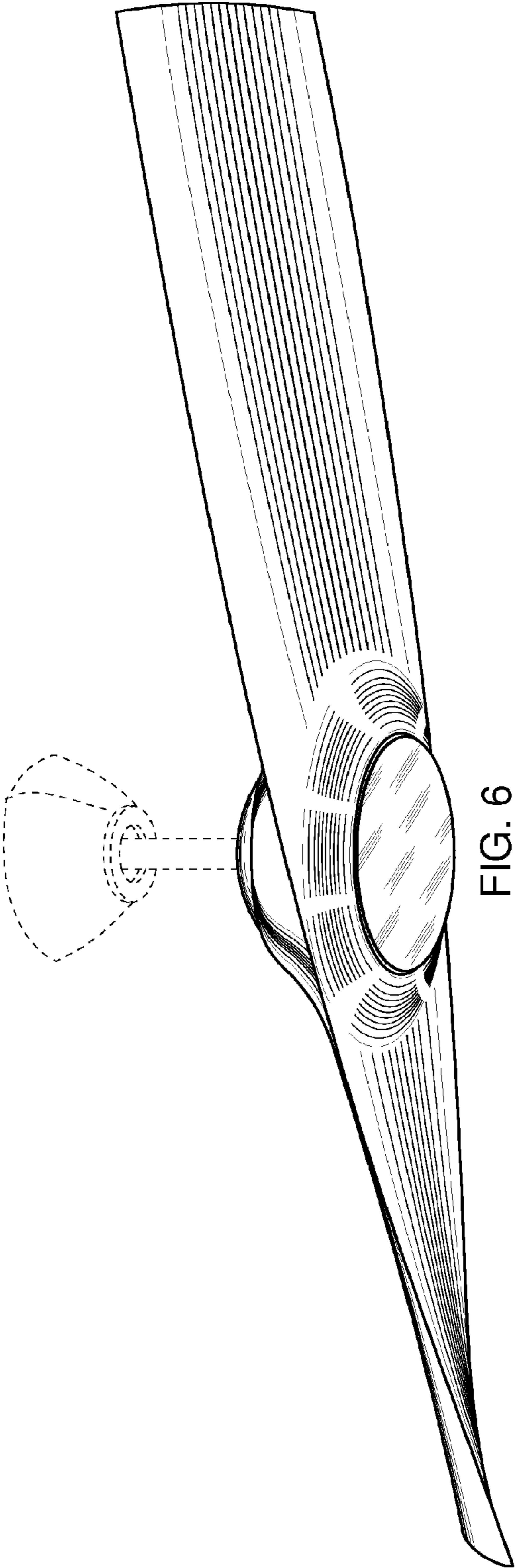


FIG. 6

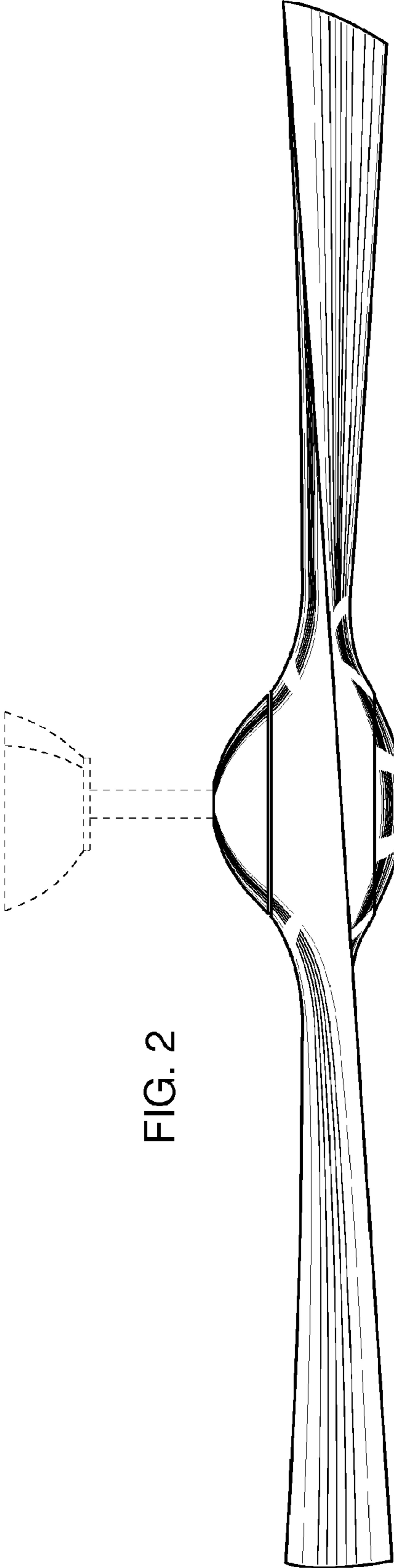


FIG. 2

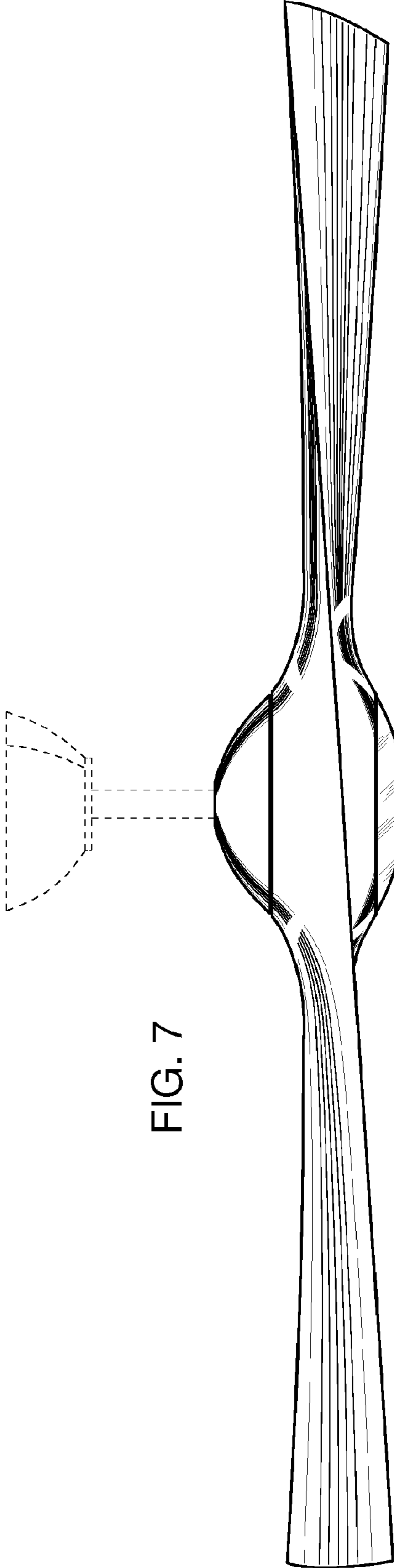


FIG. 7

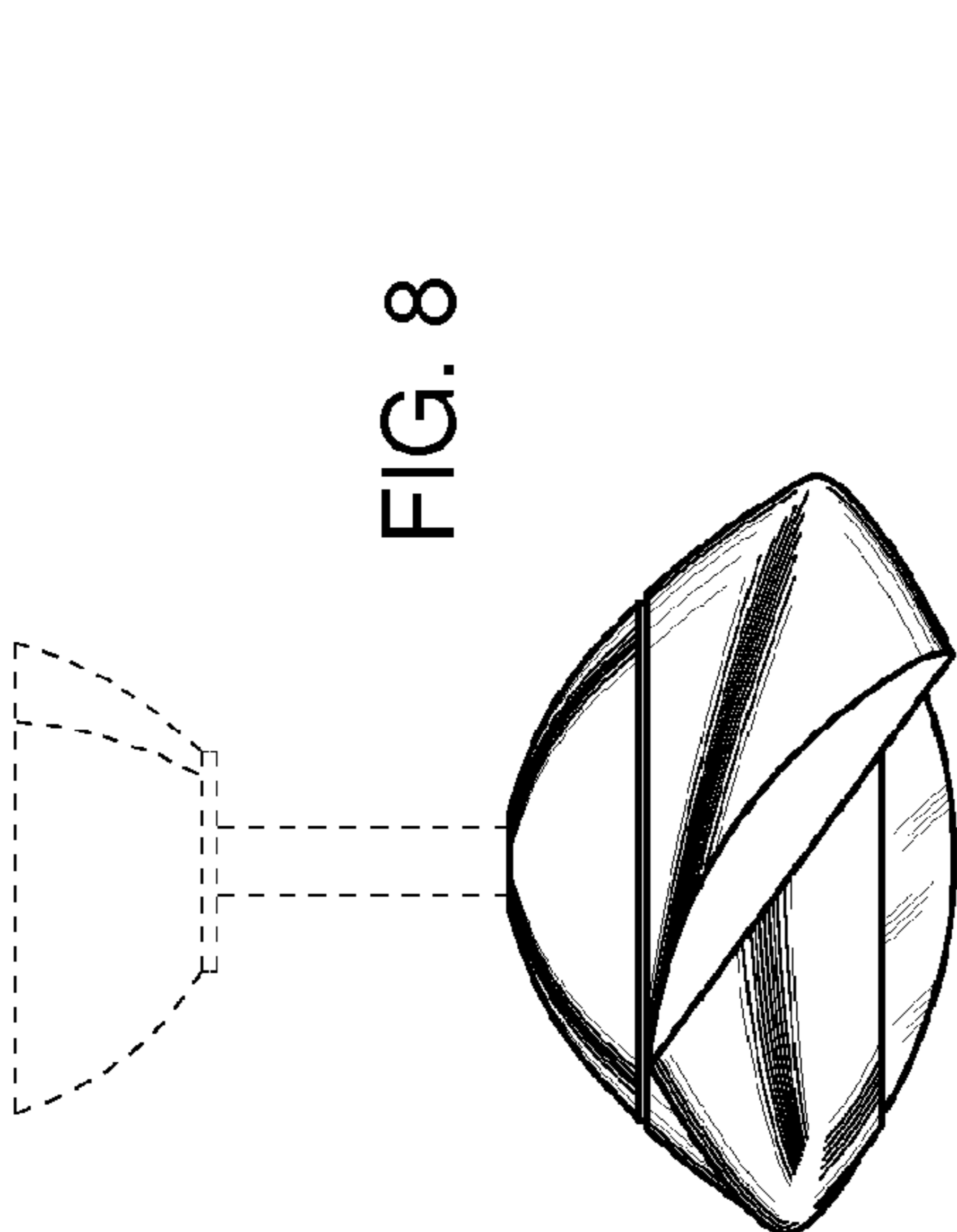


FIG. 8

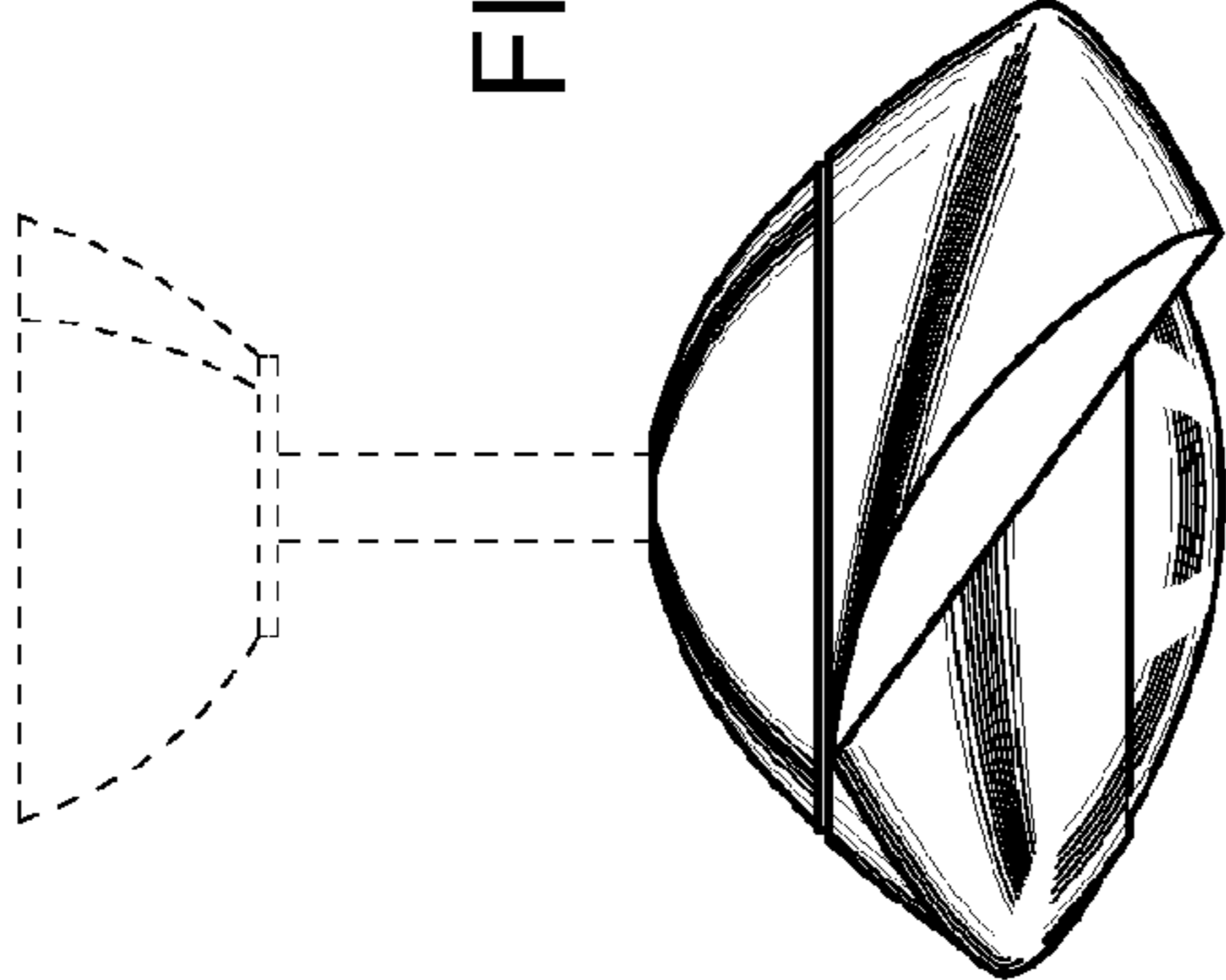


FIG. 3

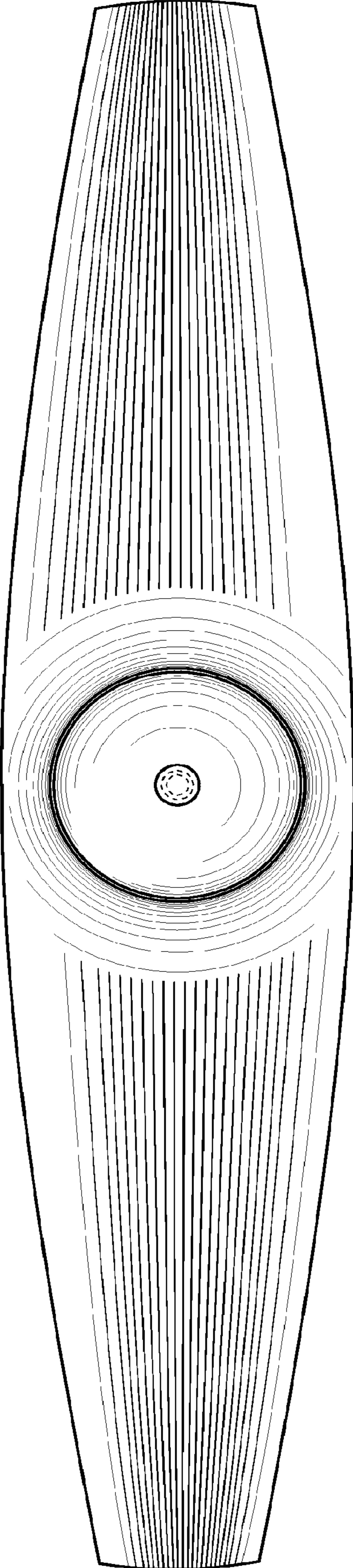


FIG. 4

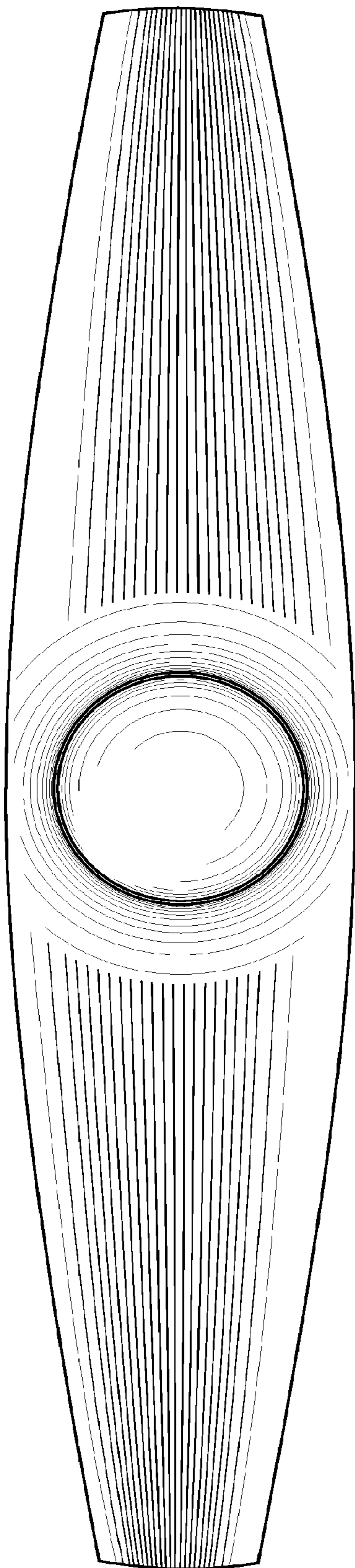


FIG. 5

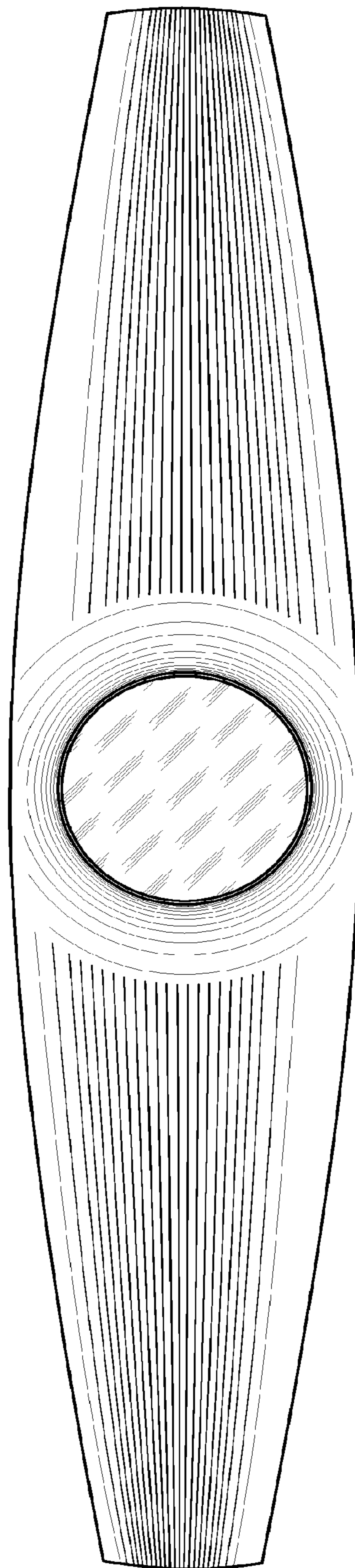


FIG. 9