



US00D678986S

(12) **United States Design Patent**
Lord

(10) **Patent No.:** **US D678,986 S**

(45) **Date of Patent:** **** Mar. 26, 2013**

(54) **FAUCET SPOUT**

(75) Inventor: **Judd Lord**, Fishers, IN (US)

(73) Assignee: **Masco Corporation of Indiana**,
Indianapolis, IN (US)

(**) Term: **14 Years**

(21) Appl. No.: **29/418,120**

(22) Filed: **Apr. 12, 2012**

(51) **LOC (9) Cl.** **23-02**

(52) **U.S. Cl.** **D23/255**

(58) **Field of Classification Search** D23/238,
D23/241, 242-243, 255, 257; 4/675-678;
137/801

See application file for complete search history.

(56) **References Cited**

U.S. PATENT DOCUMENTS

D496,717 S * 9/2004 Svendsen et al. D23/257
D541,382 S * 4/2007 Hoernig D23/241

D619,223 S * 7/2010 Sofield D23/255

* cited by examiner

Primary Examiner — Robert Delehanty

(74) *Attorney, Agent, or Firm* — Edgar A. Zarins; Nirav D. Parikh; Lora J. Graentzdoerffer

(57) **CLAIM**

The ornamental design for a faucet spout, as shown and described.

DESCRIPTION

FIG. 1 is a perspective view of a faucet spout showing my new design;

FIG. 2 is a front view thereof;

FIG. 3 is a top plan view thereof;

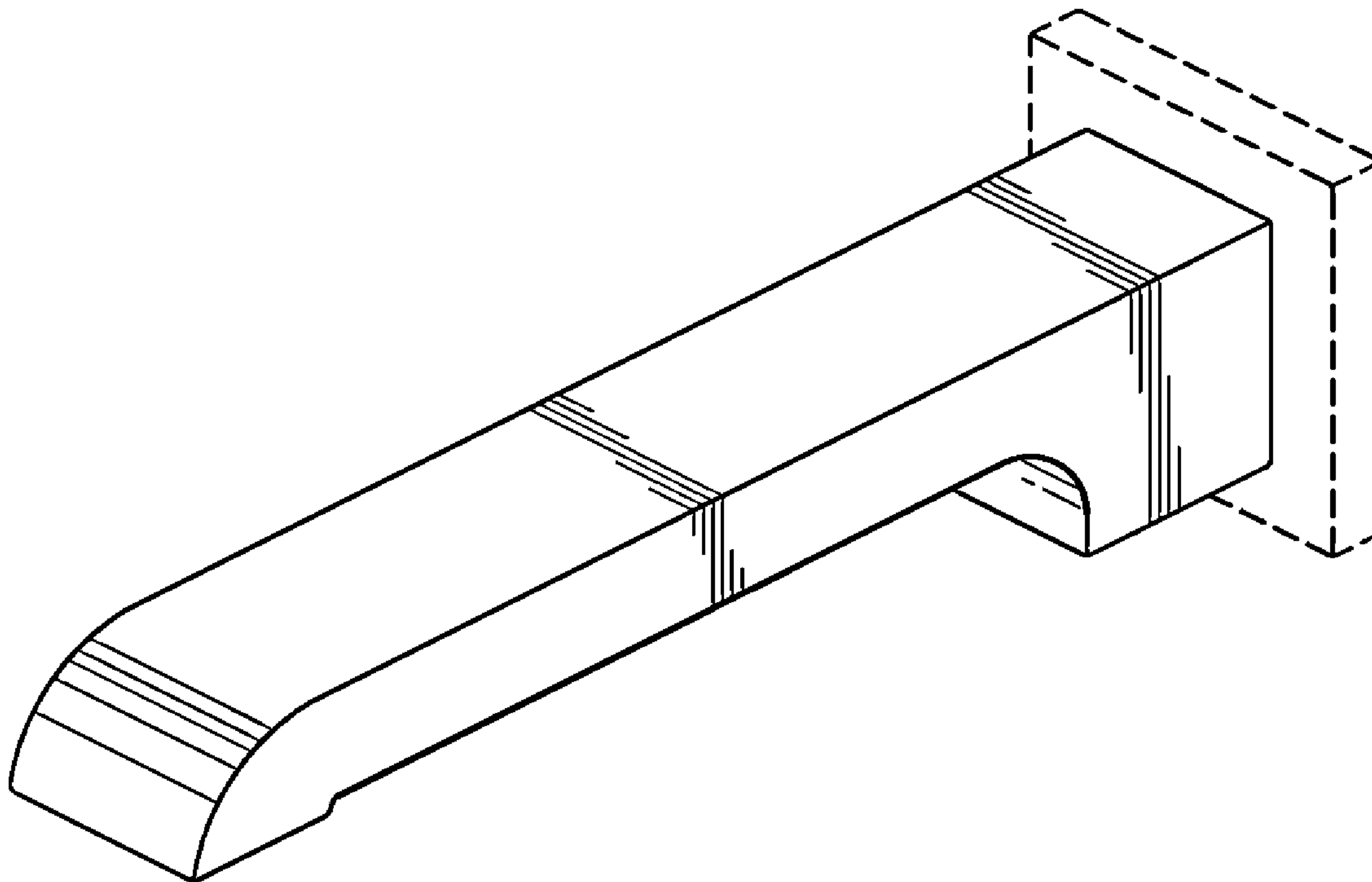
FIG. 4 is a first side view thereof;

FIG. 5 is a second side view thereof; and,

FIG. 6 is a bottom view thereof.

The broken lines shown in the drawings are included for the purpose of illustrating environment that forms no part of the claimed design.

1 Claim, 1 Drawing Sheet



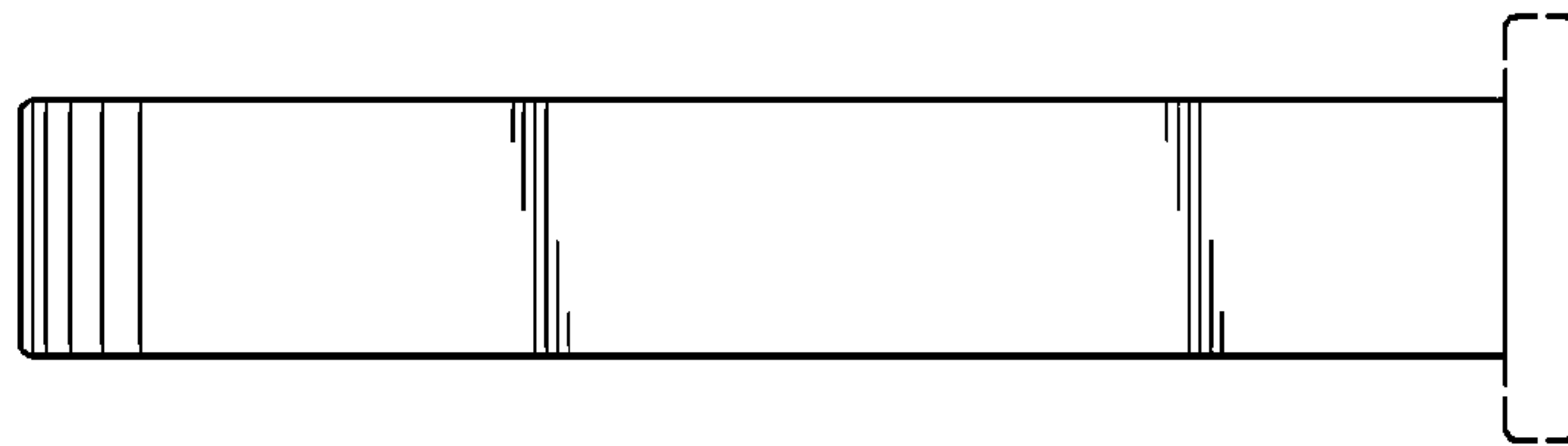
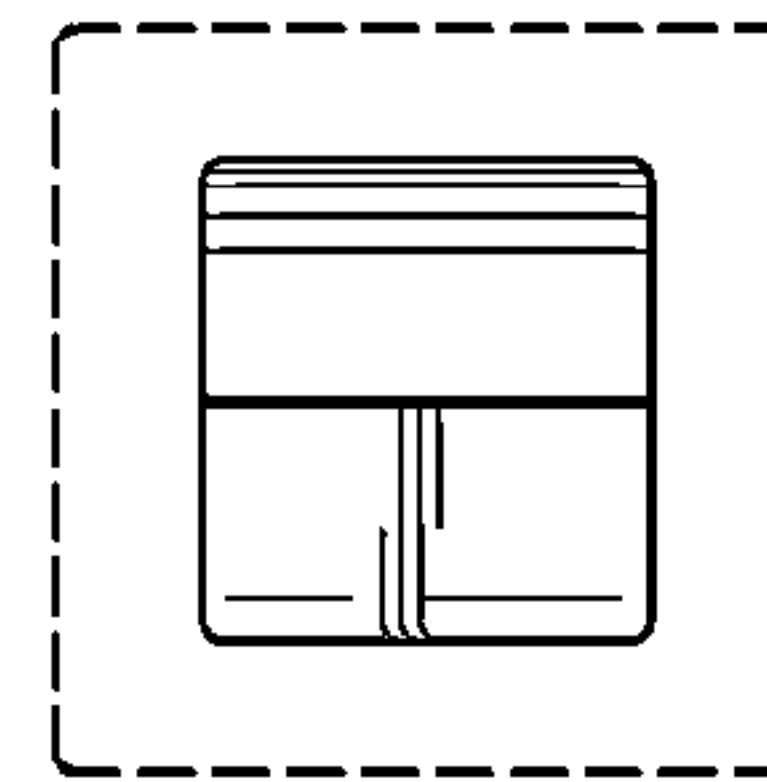
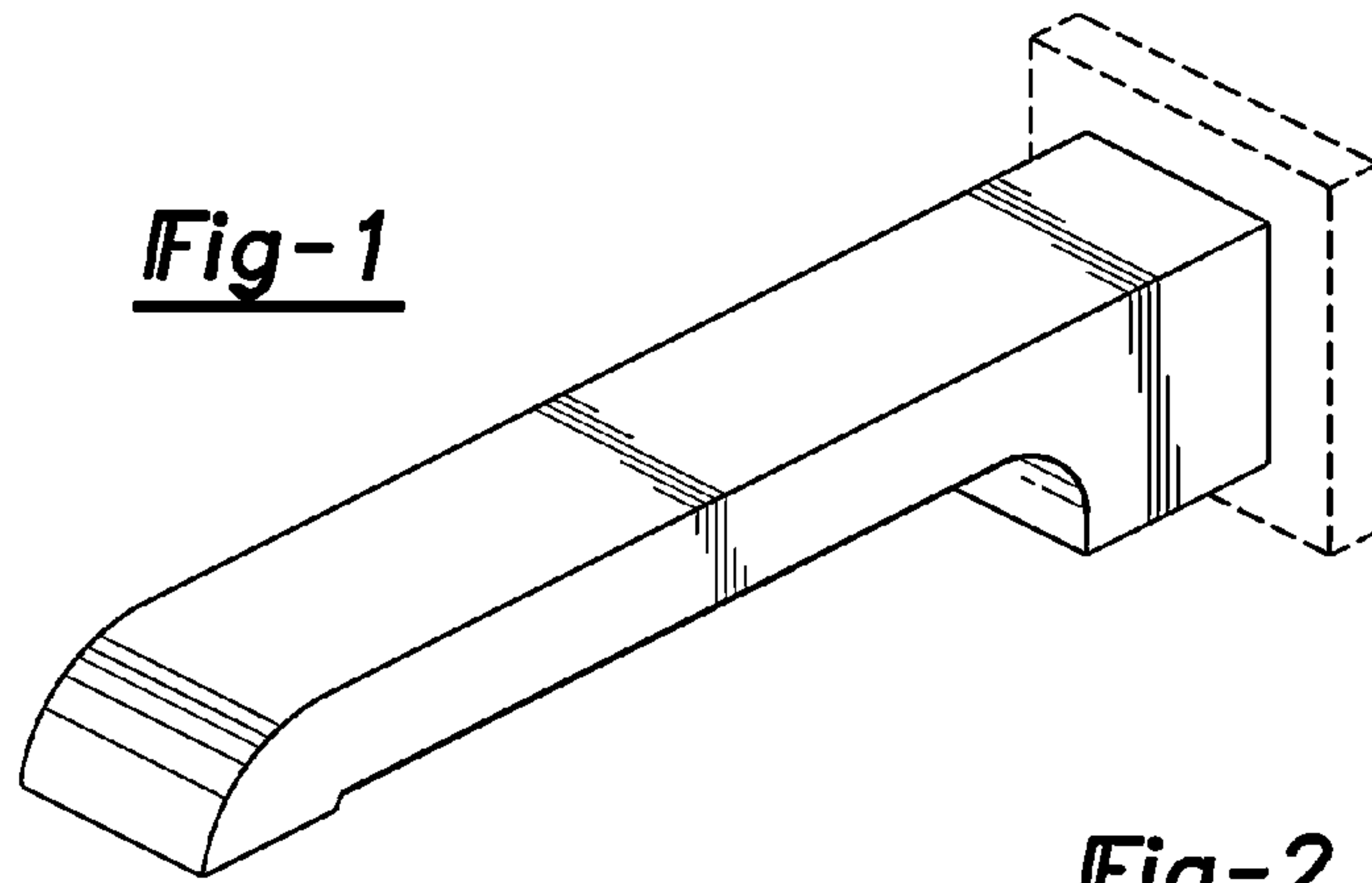


Fig-3

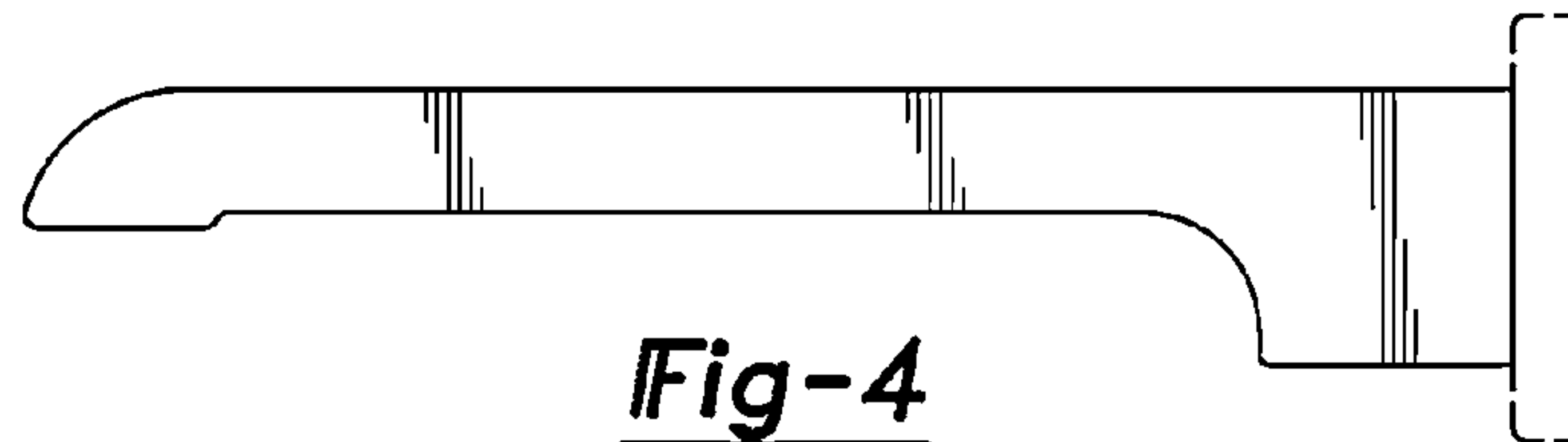


Fig-4

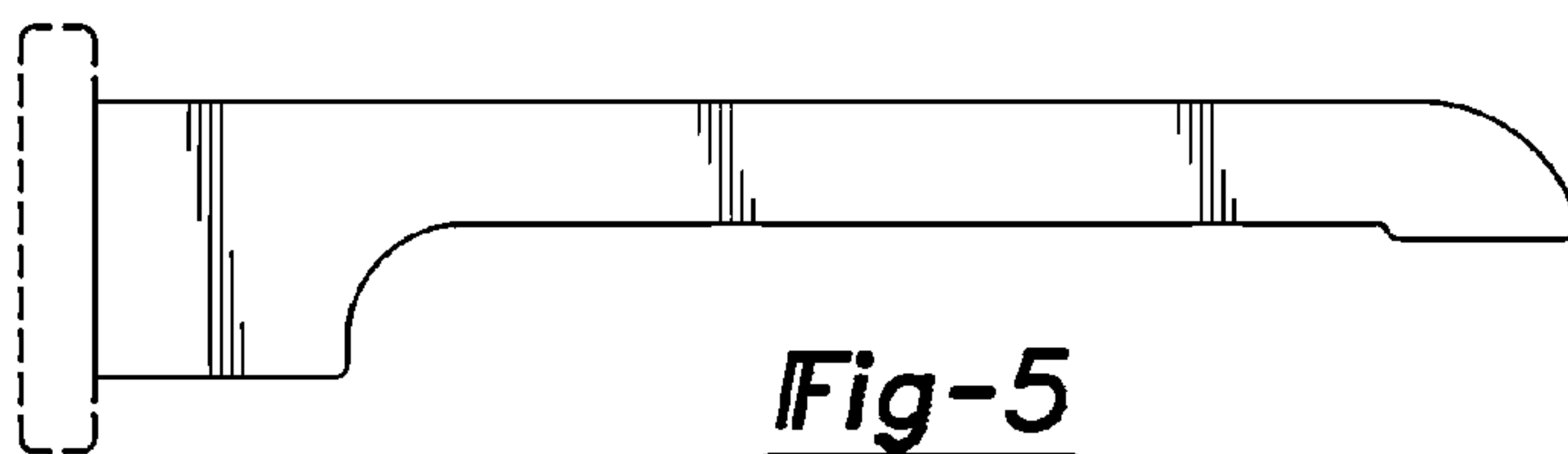


Fig-5

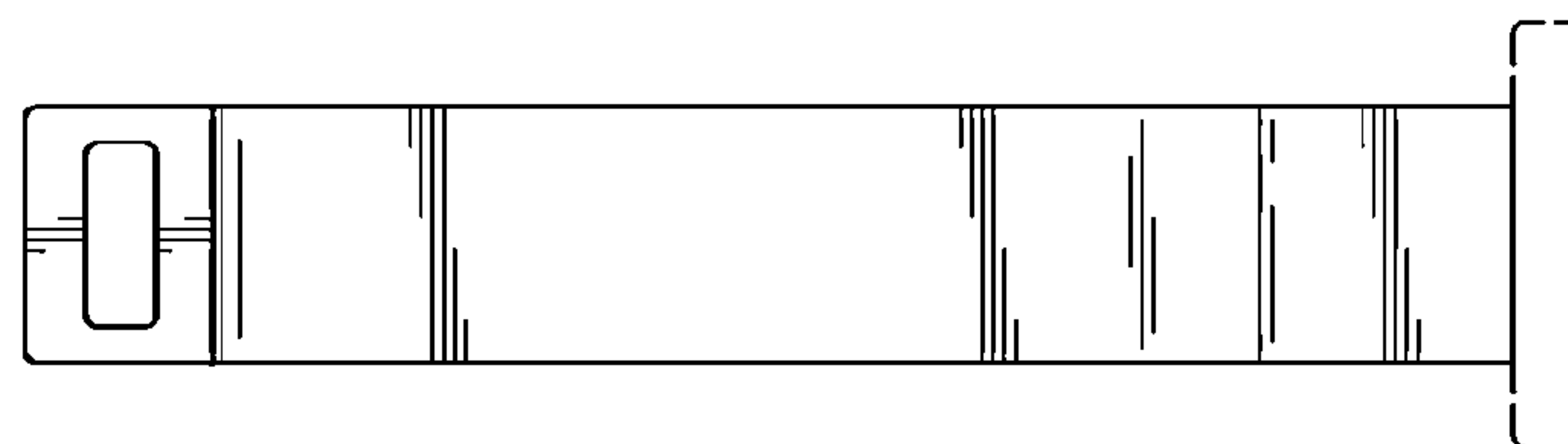


Fig-6