



US00D678985S

(12) **United States Design Patent**
Berger

(10) **Patent No.:** **US D678,985 S**
(45) **Date of Patent:** **** Mar. 26, 2013**

(54) **FAUCET SPOUT**

(75) Inventor: **Ryan Berger**, Columbus, OH (US)

(73) Assignee: **Masco Corporation of Indiana**,
Indianapolis, IN (US)

(**) Term: **14 Years**

(21) Appl. No.: **29/413,313**

(22) Filed: **Feb. 14, 2012**

(51) **LOC (9) Cl.** **23-01**

(52) **U.S. Cl.** **D23/255**

(58) **Field of Classification Search** D23/238,
D23/241, 242, 243, 255, 257; 4/675-678;
137/801

See application file for complete search history.

(56) **References Cited**

U.S. PATENT DOCUMENTS

D326,504 S * 5/1992 Robbins D23/255

D576,710 S * 9/2008 Fritz D23/238

* cited by examiner

Primary Examiner — Robert Delehanty

(74) *Attorney, Agent, or Firm* — Edgar A. Zarins; Nirav D. Parikh; Lora J. Graentzdoerffer

(57) **CLAIM**

The ornamental design for a faucet spout, as shown and described.

DESCRIPTION

FIG. 1 is a perspective view of a faucet spout showing my new design;

FIG. 2 is a right side view thereof, the opposite side being a mirror image of the side shown;

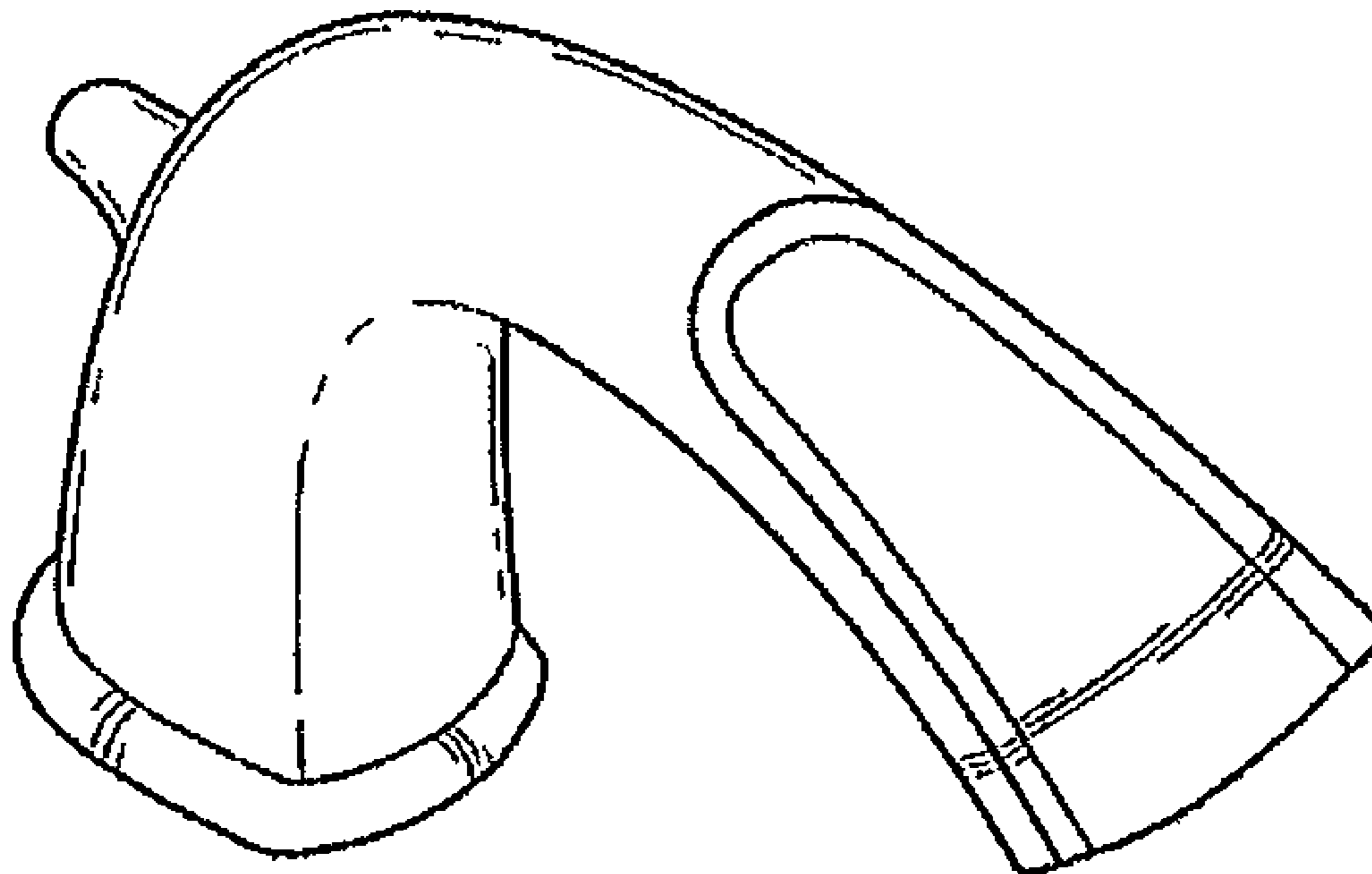
FIG. 3 is a front elevational view thereof;

FIG. 4 is a rear view thereof;

FIG. 5 is a top plan view thereof; and,

FIG. 6 is a bottom view thereof.

1 Claim, 1 Drawing Sheet



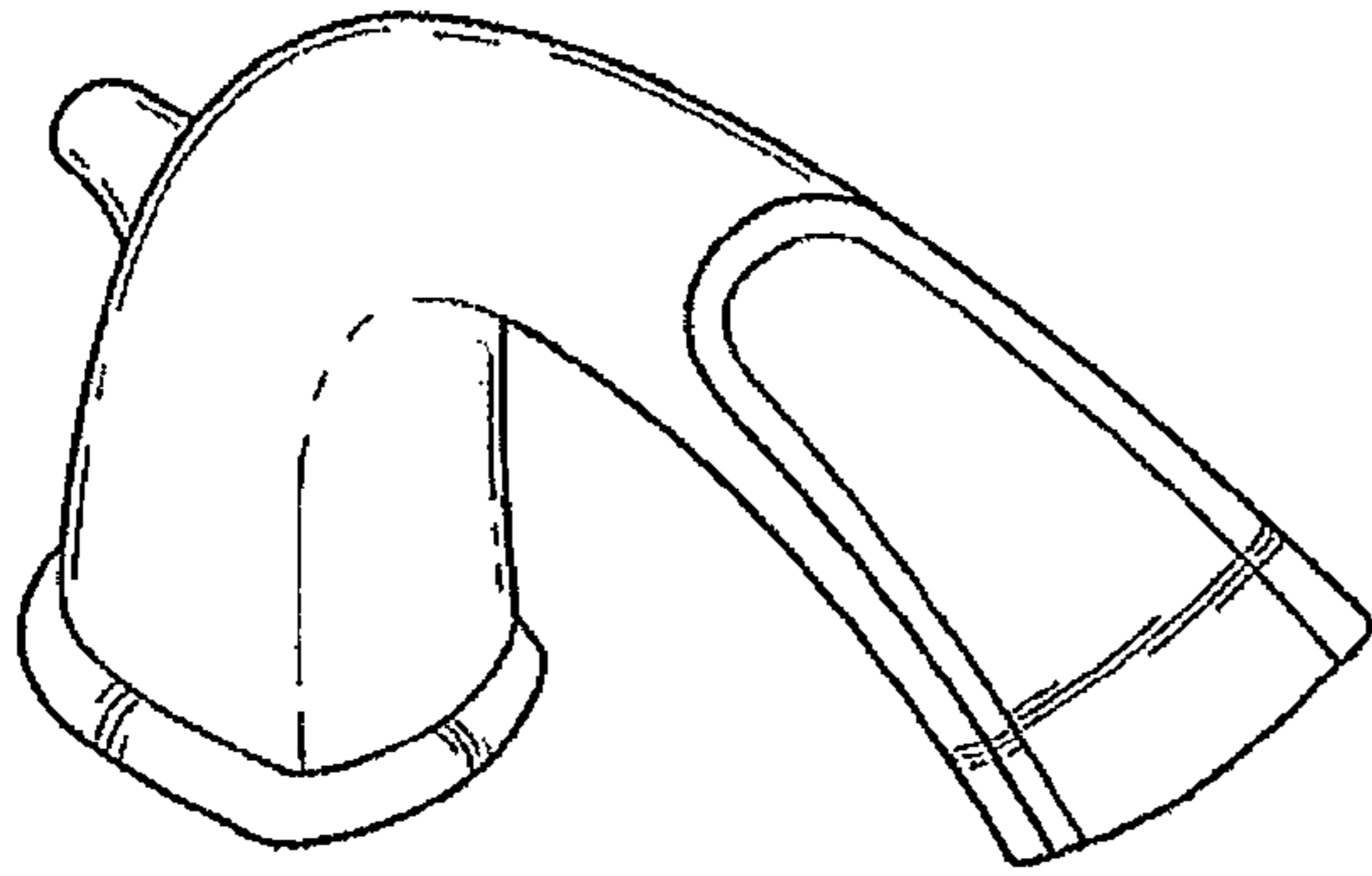


Fig-1

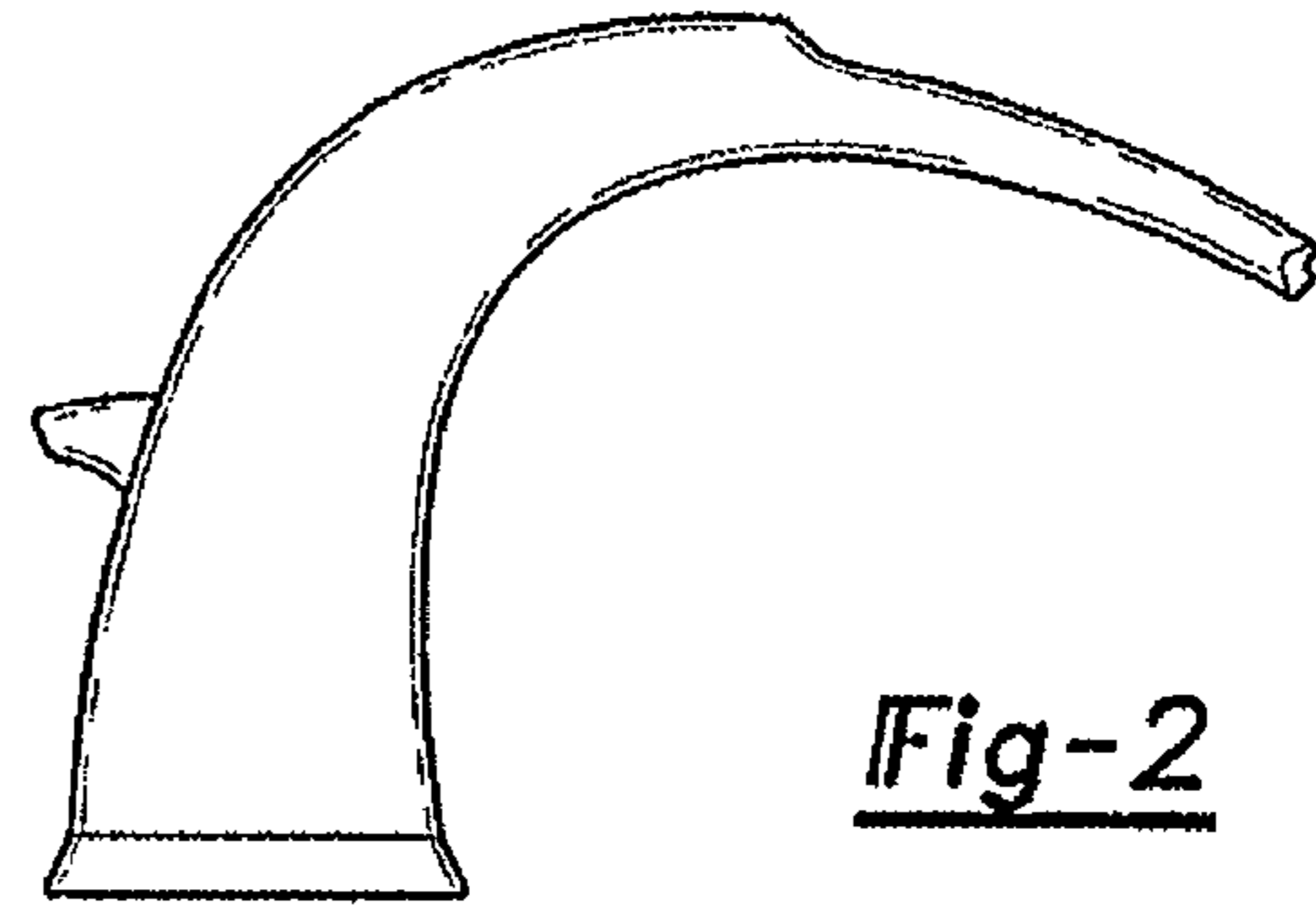


Fig-2

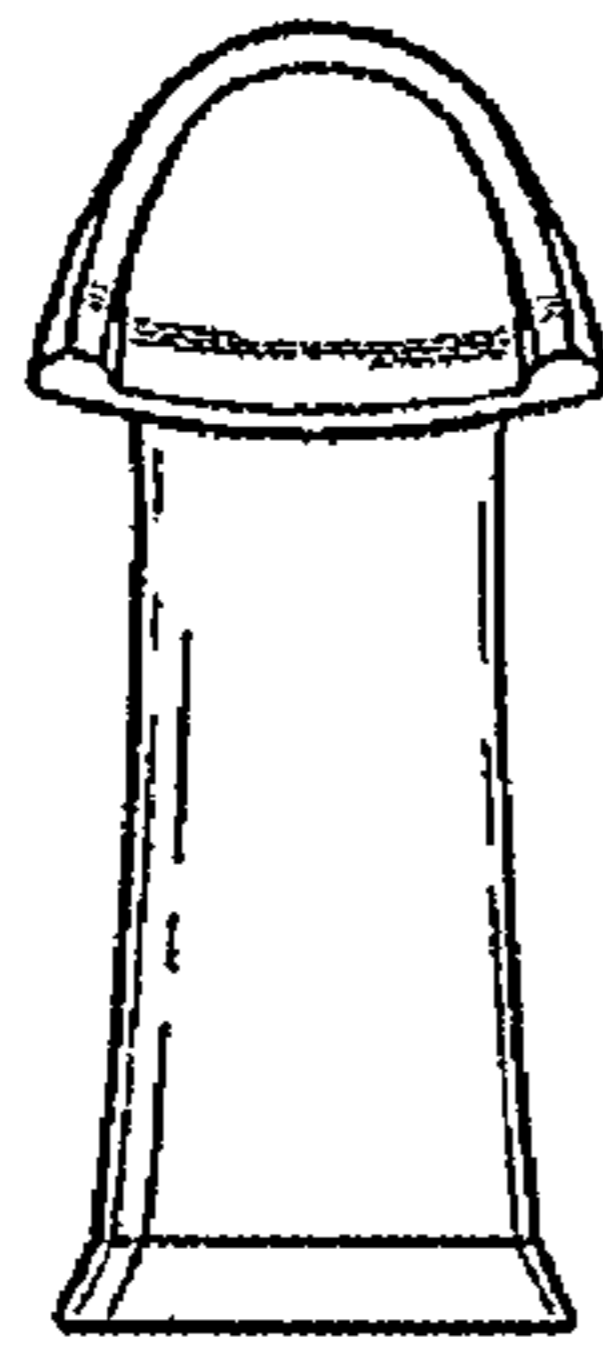


Fig-3

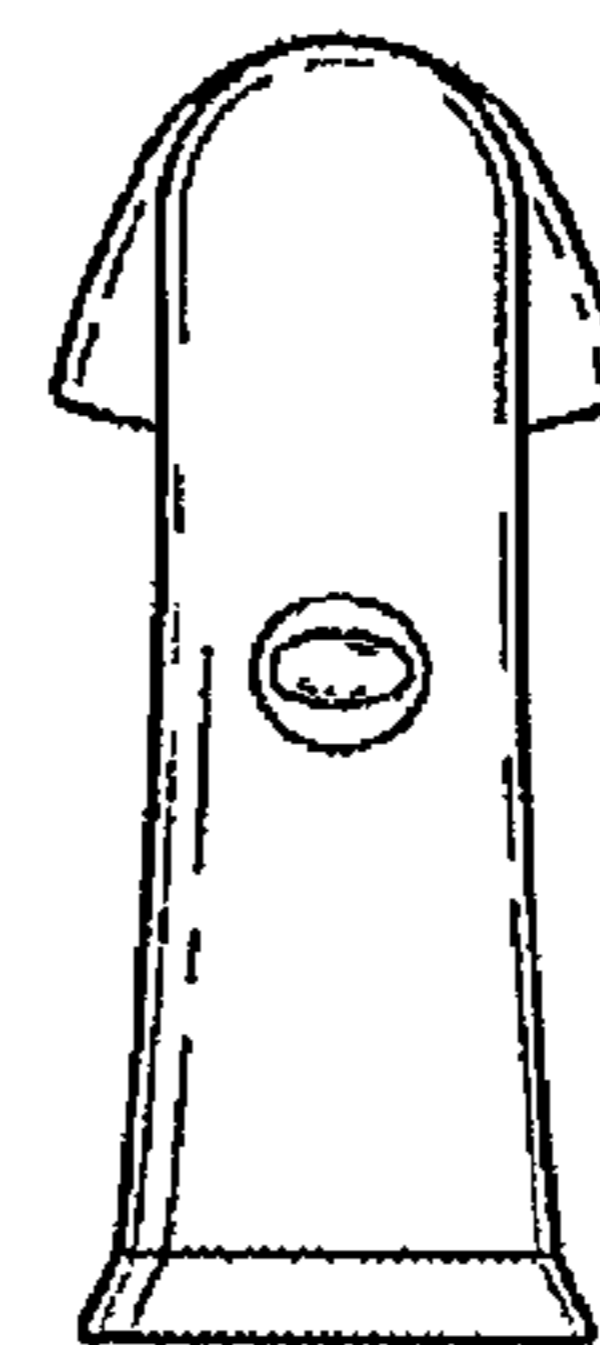


Fig-4

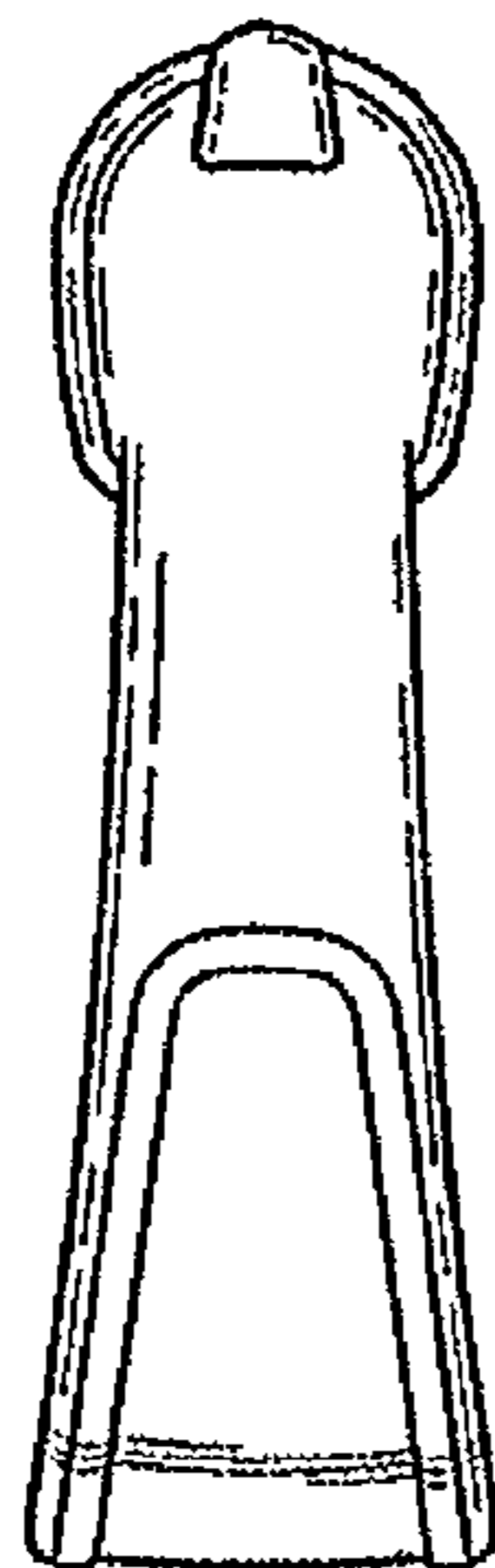


Fig-5



Fig-6