



US00D678984S

(12) **United States Design Patent**
Huang

(10) **Patent No.:** **US D678,984 S**
(45) **Date of Patent:** **** Mar. 26, 2013**

(54) **FAUCET HANDLE**

Primary Examiner — Robert Delehanty

(75) Inventor: **Li-Chen Huang**, Changhua Hsien (TW)

(73) Assignee: **Alexander Yeh Industry Co., Ltd.**,
Changhua Hsien (TW)

(**) Term: **14 Years**

(21) Appl. No.: **29/388,738**

(22) Filed: **Apr. 1, 2011**

(51) **LOC (9) Cl.** **23-01**

(52) **U.S. Cl.** **D23/253**

(58) **Field of Classification Search** D23/238–243,
D23/253, 249, 245; 4/675–678; 137/801
See application file for complete search history.

(56) **References Cited**

U.S. PATENT DOCUMENTS

D408,504 S *	4/1999	Bowen	D23/249
D503,216 S *	3/2005	Berkman et al.	D23/250
D537,147 S *	2/2007	Hickman	D23/245
D602,124 S *	10/2009	Jones	D23/245

* cited by examiner

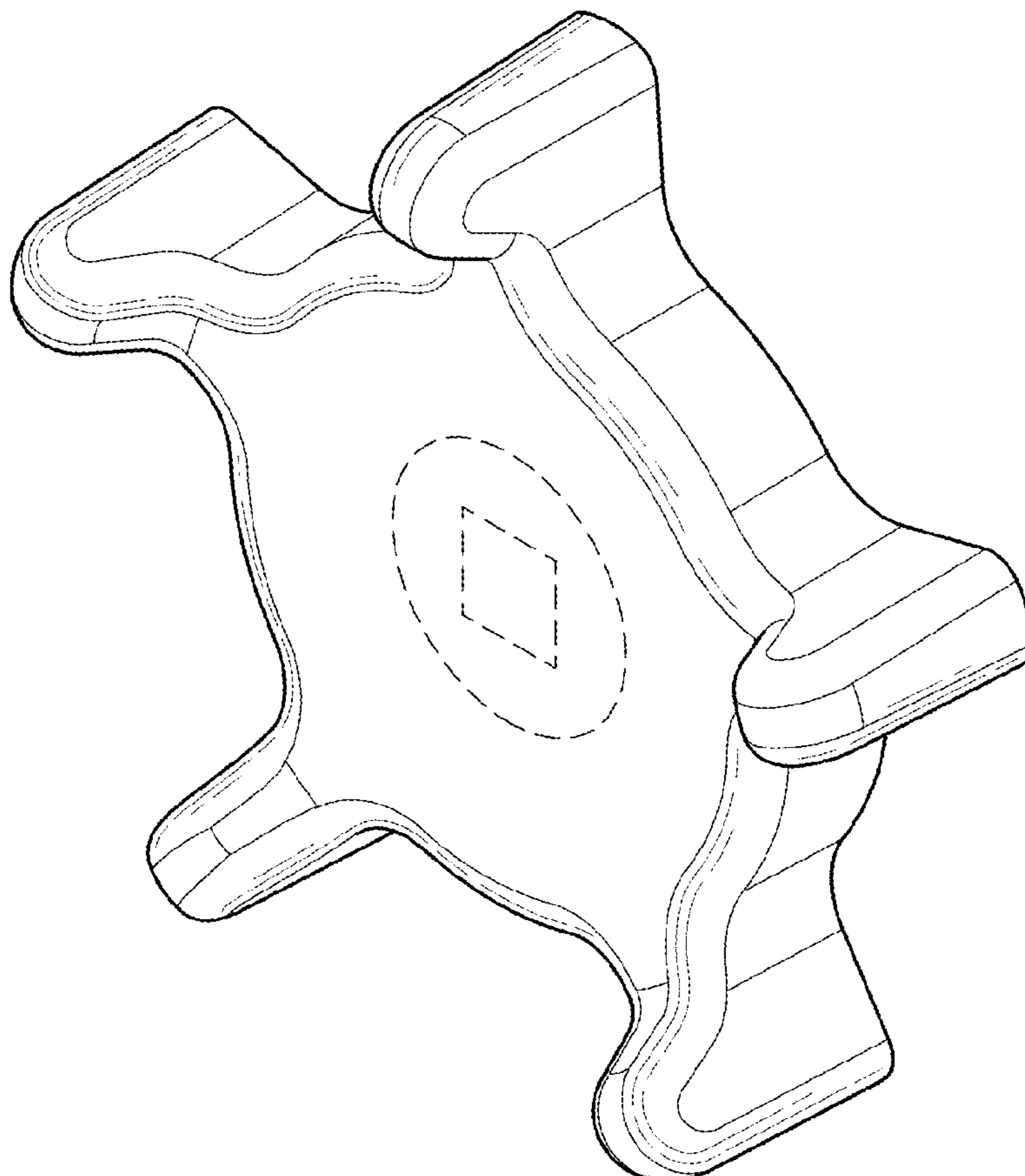
(57) **CLAIM**

The ornamental design for a faucet handle, as shown and described.

DESCRIPTION

FIG. 1 is an upper perspective view of a faucet handle showing my new design; FIG. 2 is a front view of the embodiment shown in FIG. 1; FIG. 3 is a rear view of the embodiment shown in FIG. 1; FIG. 4 is a left side view of the embodiment shown in FIG. 1; FIG. 5 is a right side view of the embodiment shown in FIG. 1; FIG. 6 is a top view of the embodiment shown in FIG. 1; and, FIG. 7 is a bottom view of the embodiment shown in FIG. 1. The broken lines in the figures are for illustrative purposes only and form no part of the claimed design.

1 Claim, 5 Drawing Sheets



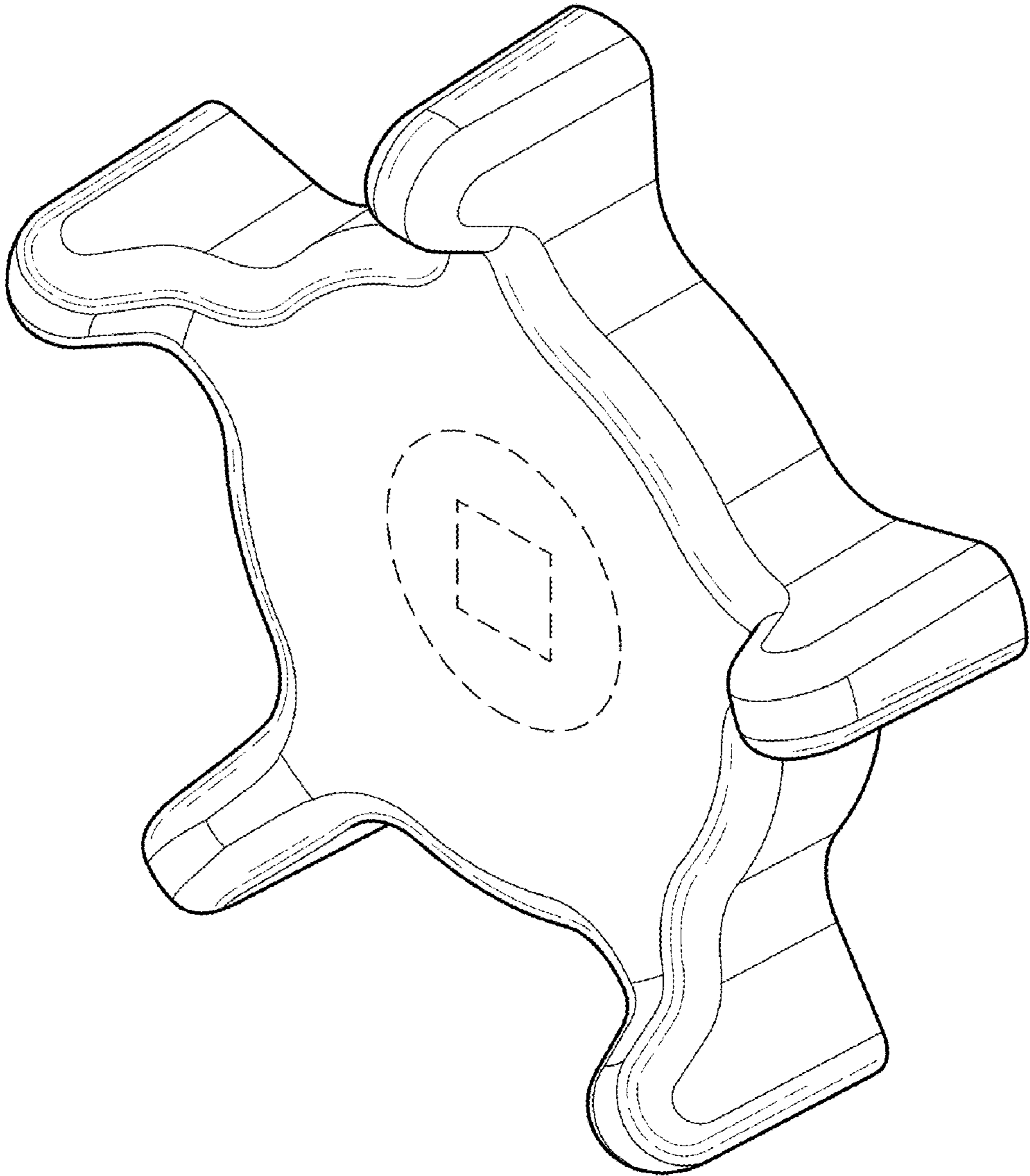


FIG. 1

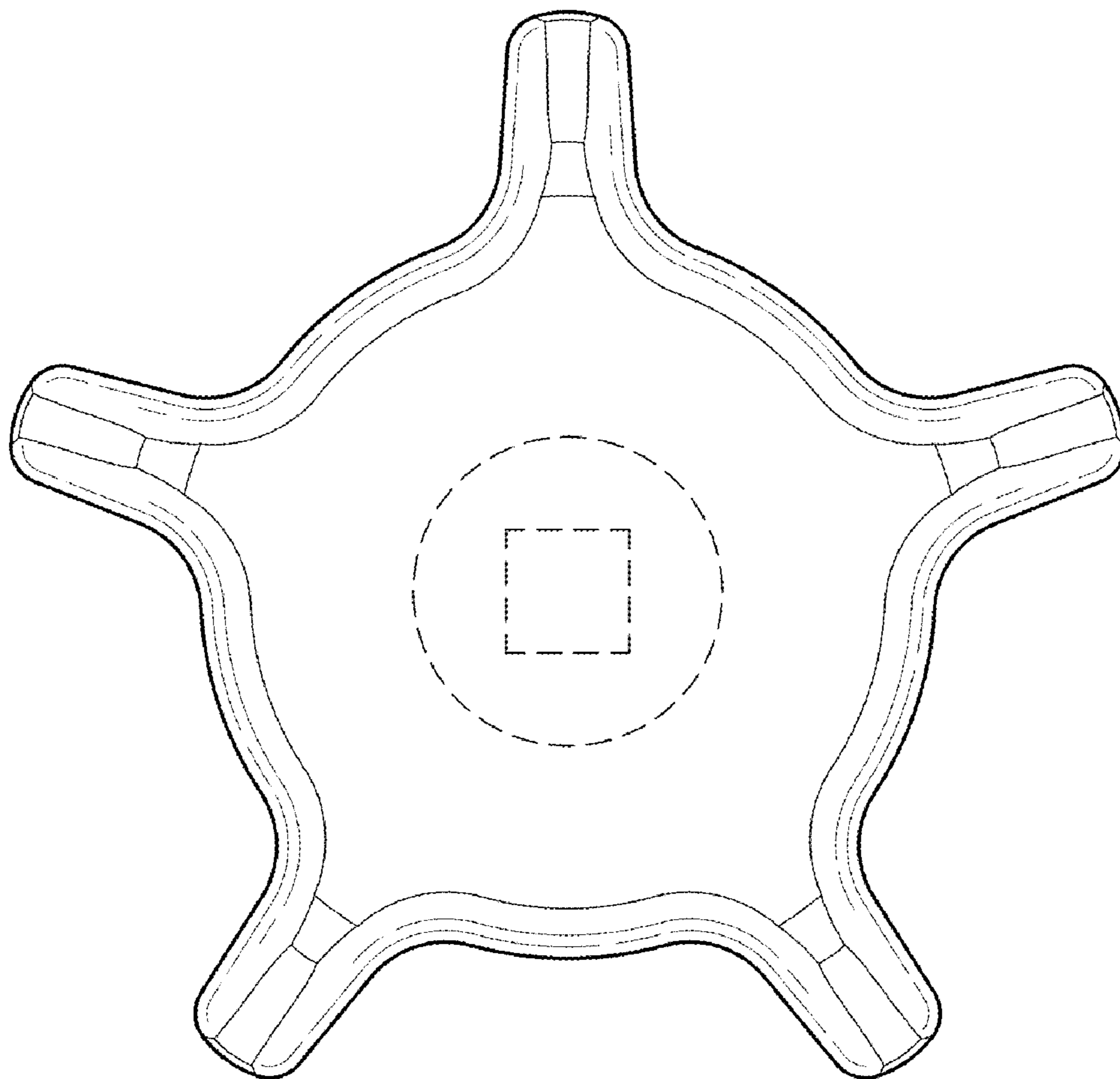


FIG. 2

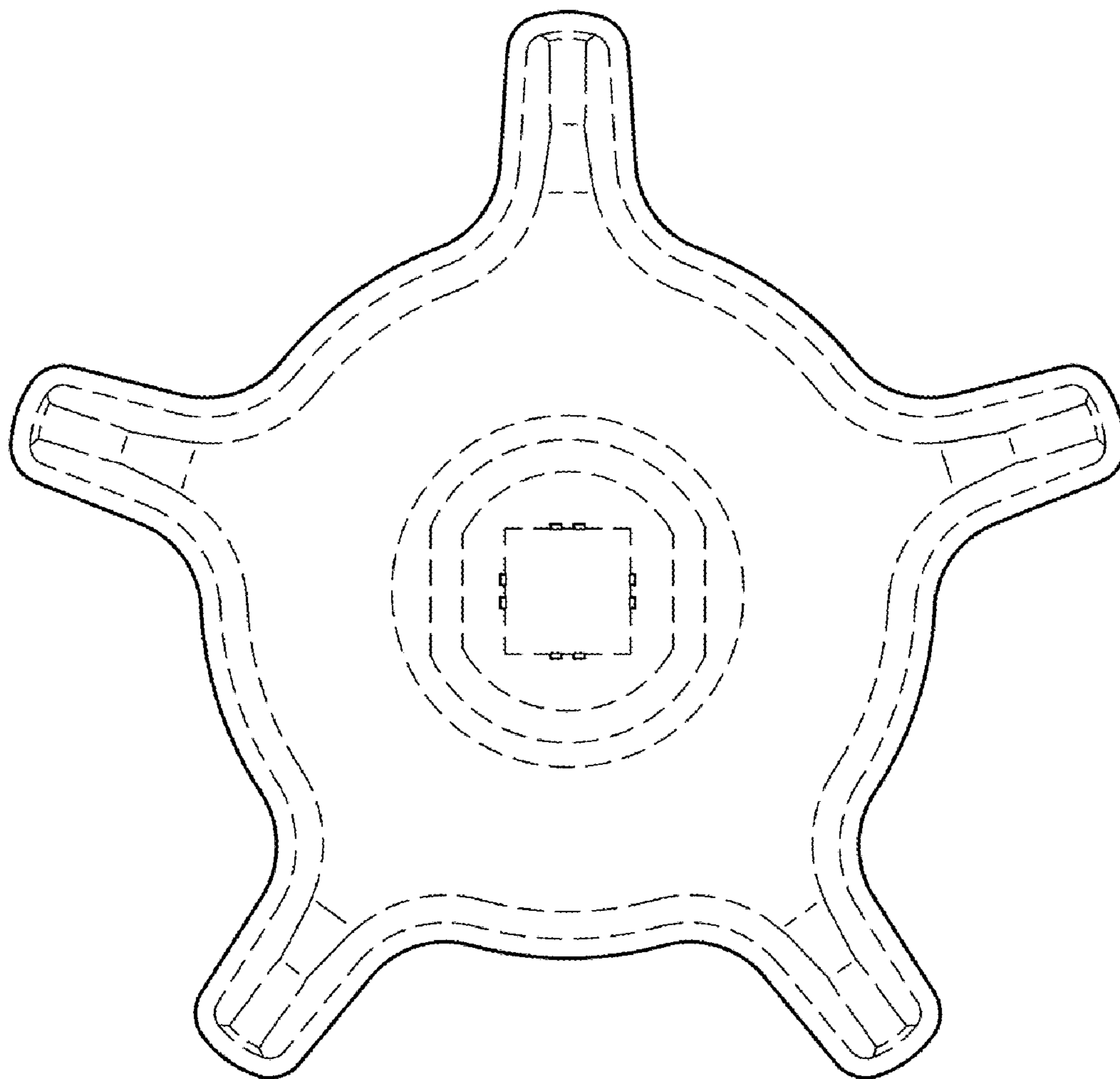


FIG. 3

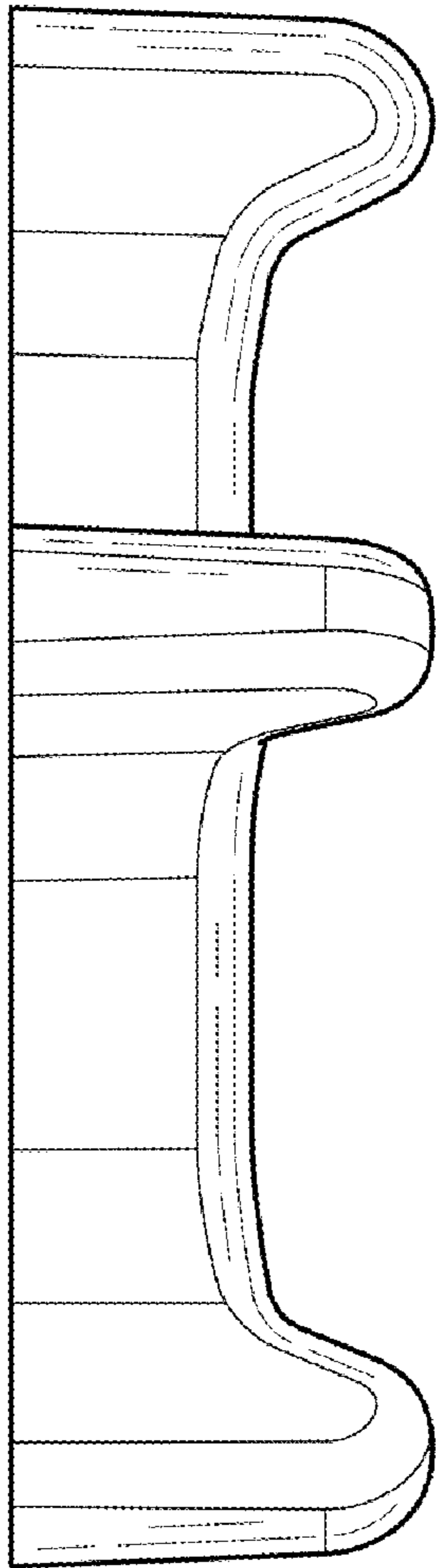


FIG. 4

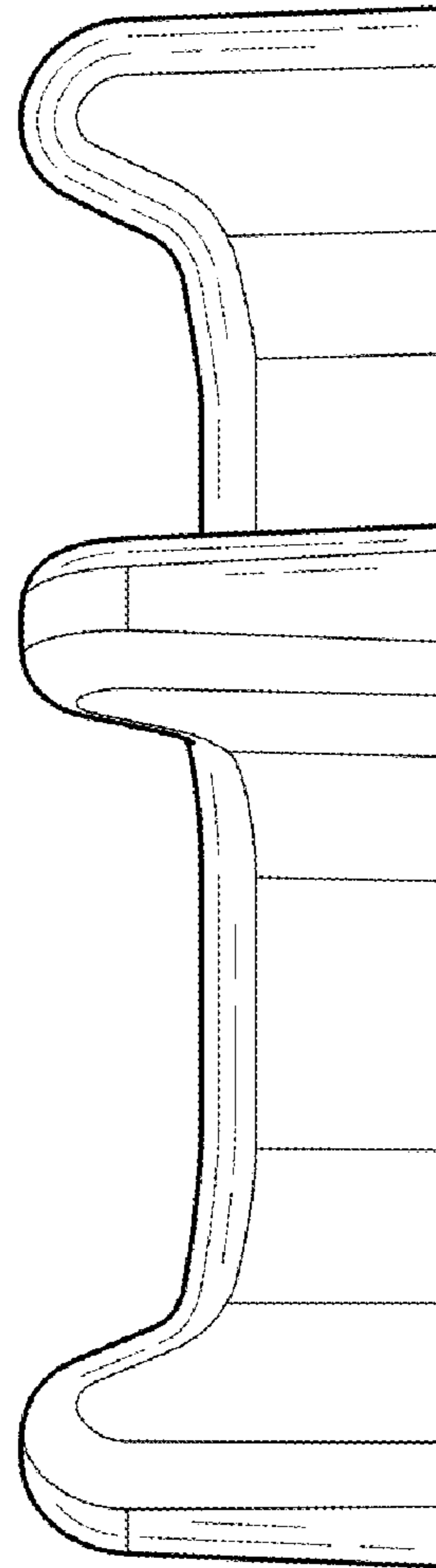


FIG. 5

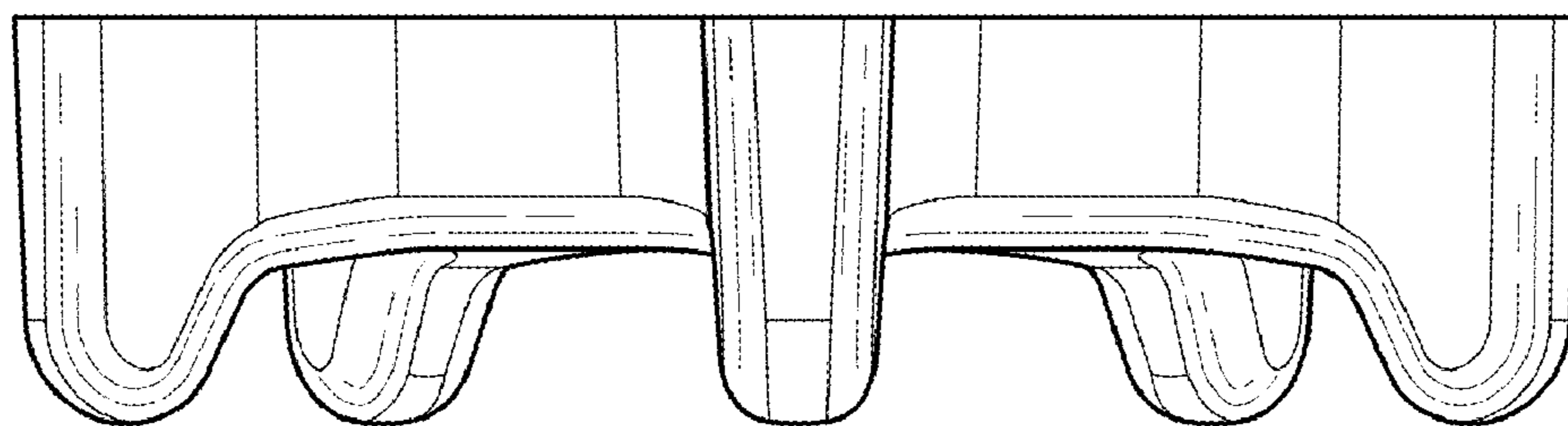


FIG. 6

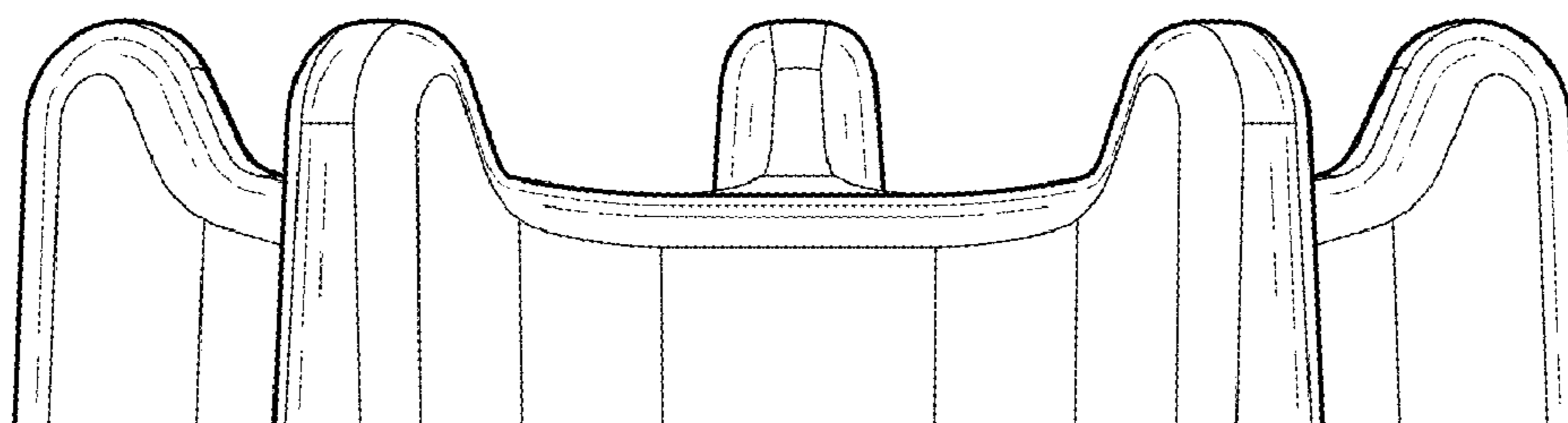


FIG. 7