



US00D678982S

(12) **United States Design Patent**
Sampson et al.

(10) **Patent No.:** **US D678,982 S**

(45) **Date of Patent:** **** Mar. 26, 2013**

(54) **DUAL FLUSH TOILET MECHANISM**

(75) Inventors: **Adam Sampson**, Ramona, CA (US);
Tuan Le, Diamond Bar, CA (US); **Tom Stout**, San Jose, CA (US); **John Whaley**, Sunnyvale, CA (US); **David Peschel**, San Carlos, CA (US); **Zaafir Kherani**, Burlingame, CA (US); **Matt Vargas**, San Jose, CA (US)

(73) Assignee: **Fluidmaster Inc.**, San Juan Capistrano, CA (US)

(**) Term: **14 Years**

(21) Appl. No.: **29/407,955**

(22) Filed: **Dec. 5, 2011**

(51) **LOC (9) Cl.** **23-01**

(52) **U.S. Cl.** **D23/236**

(58) **Field of Classification Search** D23/233,
D23/235, 236, 249; 4/415, 326, 327
See application file for complete search history.

(56) **References Cited**

U.S. PATENT DOCUMENTS

3,080,567	A *	3/1963	King	4/327
3,137,867	A *	6/1964	King	4/327
3,839,747	A *	10/1974	Clark	4/327
4,183,108	A *	1/1980	Hamilton	4/415
D292,120	S *	9/1987	Nestich	D23/236
5,073,992	A *	12/1991	Herring et al.	4/227.1
5,197,151	A *	3/1993	Jasper, Jr.	4/415
5,211,204	A *	5/1993	Mikol	4/415

5,287,565	A *	2/1994	Auman et al.	4/415
6,332,229	B1 *	12/2001	O'Malley et al.	4/326
8,087,107	B2 *	1/2012	Le et al.	4/415
8,112,824	B2 *	2/2012	Spogardh	4/225.1

* cited by examiner

Primary Examiner — Robert Delehanty

(74) *Attorney, Agent, or Firm* — Gordon & Rees LLP

(57) **CLAIM**

The ornamental design for a dual flush toilet mechanism, as shown and described.

DESCRIPTION

FIG. 1 is a perspective view of the dual flush toilet mechanism.

FIG. 2 is a front elevation view of the dual flush toilet mechanism.

FIG. 3 is a rear elevation view of the dual flush toilet mechanism.

FIG. 4 is a right side elevation view of the dual flush toilet mechanism.

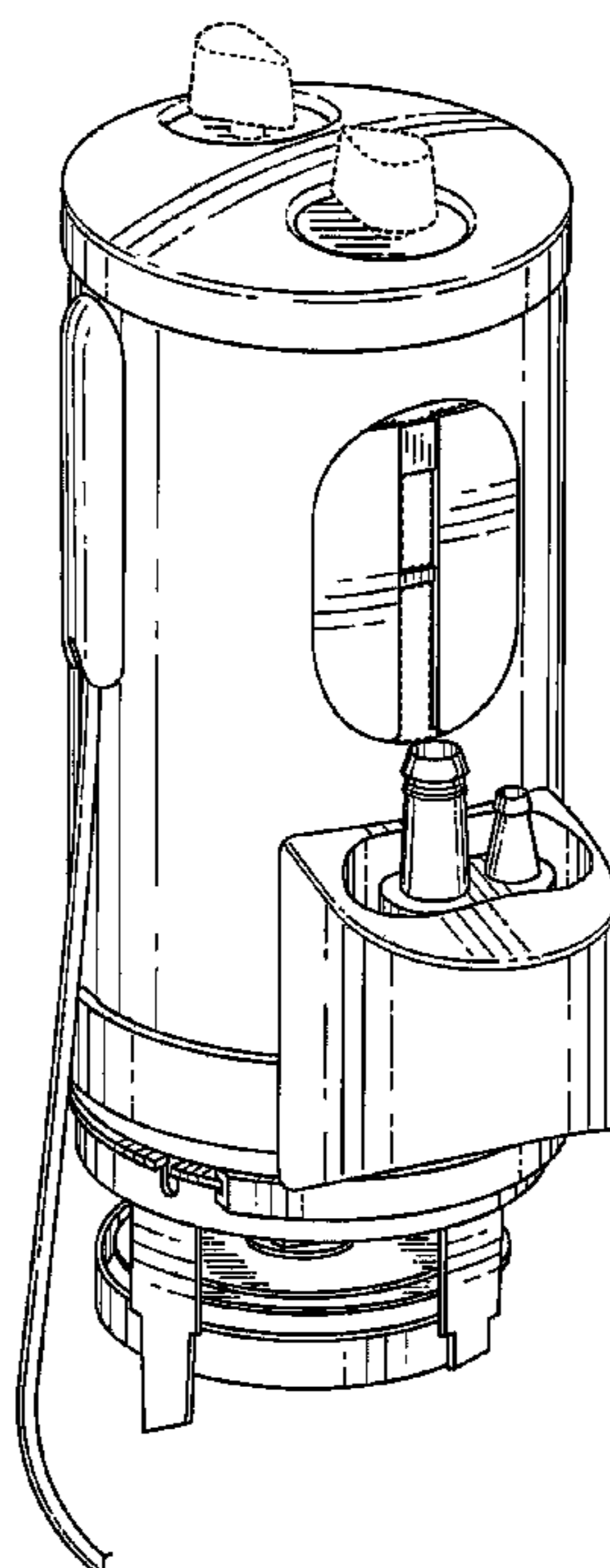
FIG. 5 is a left side elevation view of the dual flush toilet mechanism.

FIG. 6 is a top plan view of the dual flush toilet mechanism; and,

FIG. 7 is a bottom plan view of the dual flush toilet mechanism.

The broken lines showing are for illustrative purposes and forms no part of the claimed design.

1 Claim, 6 Drawing Sheets



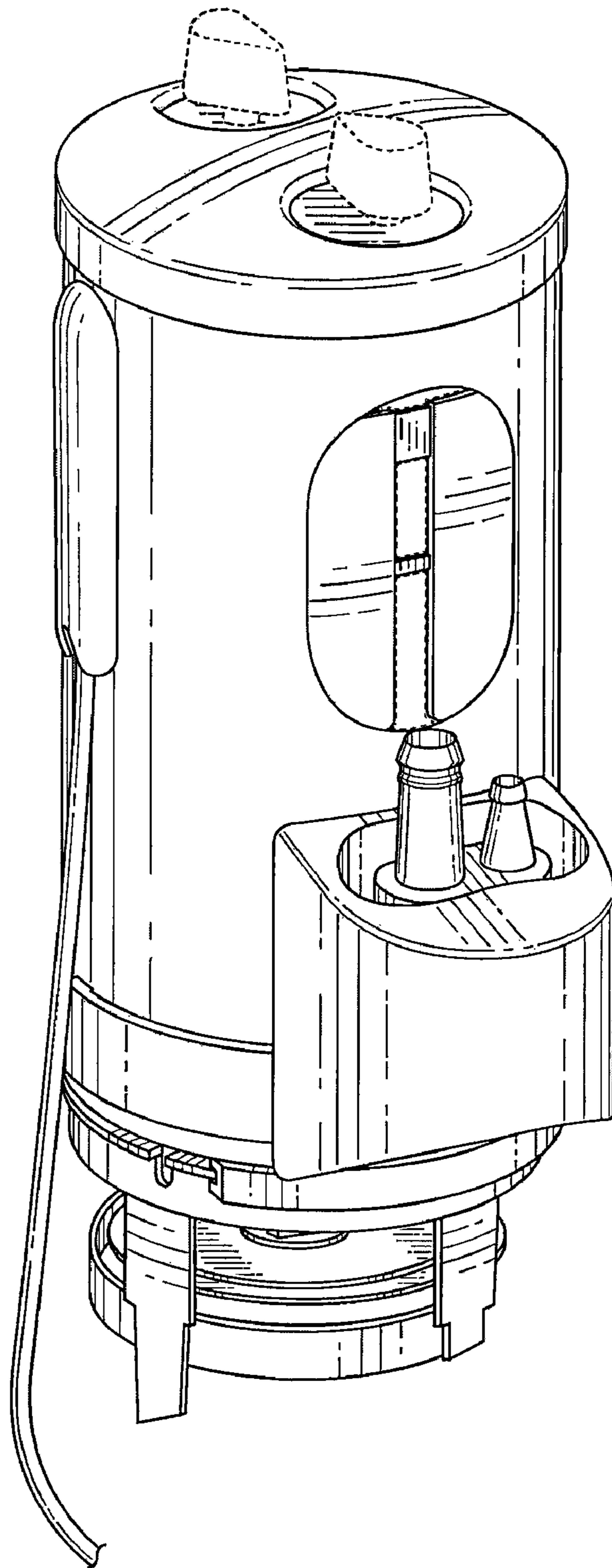


FIG. 1

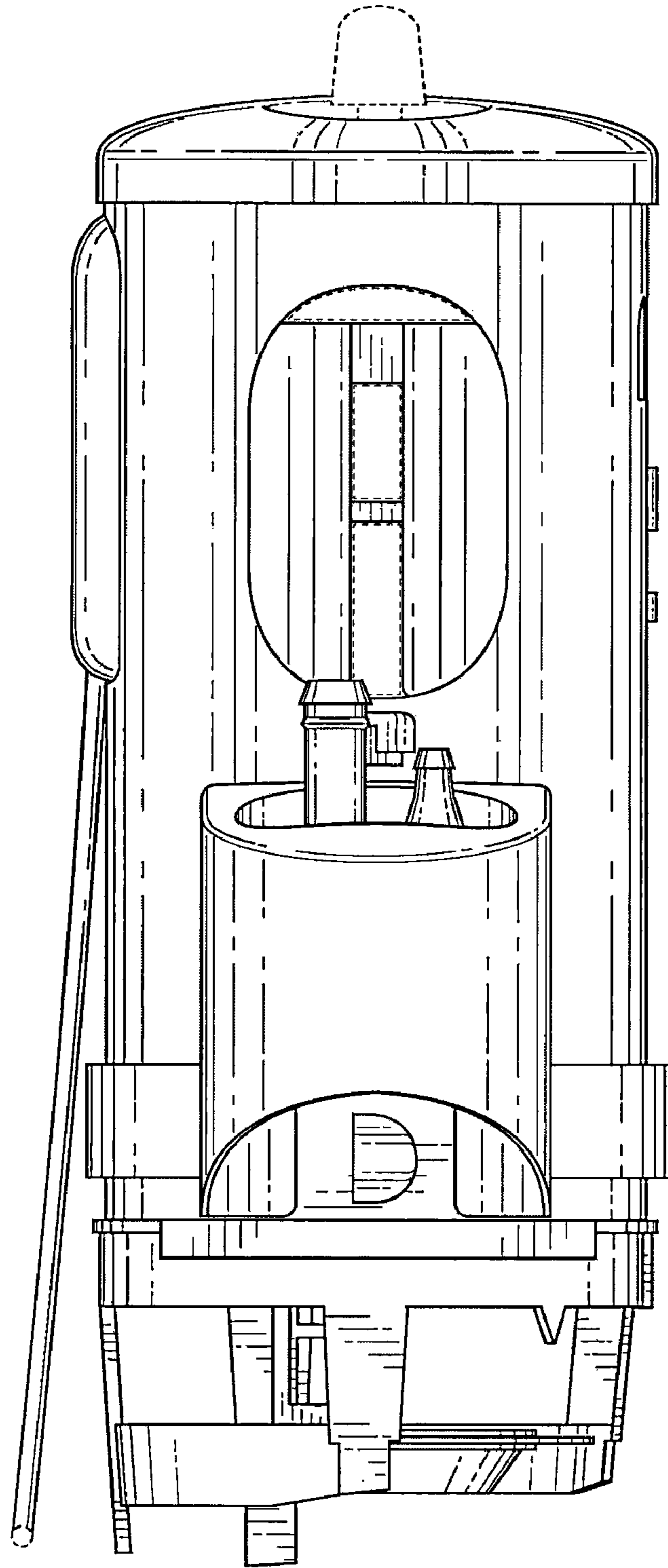


FIG. 2

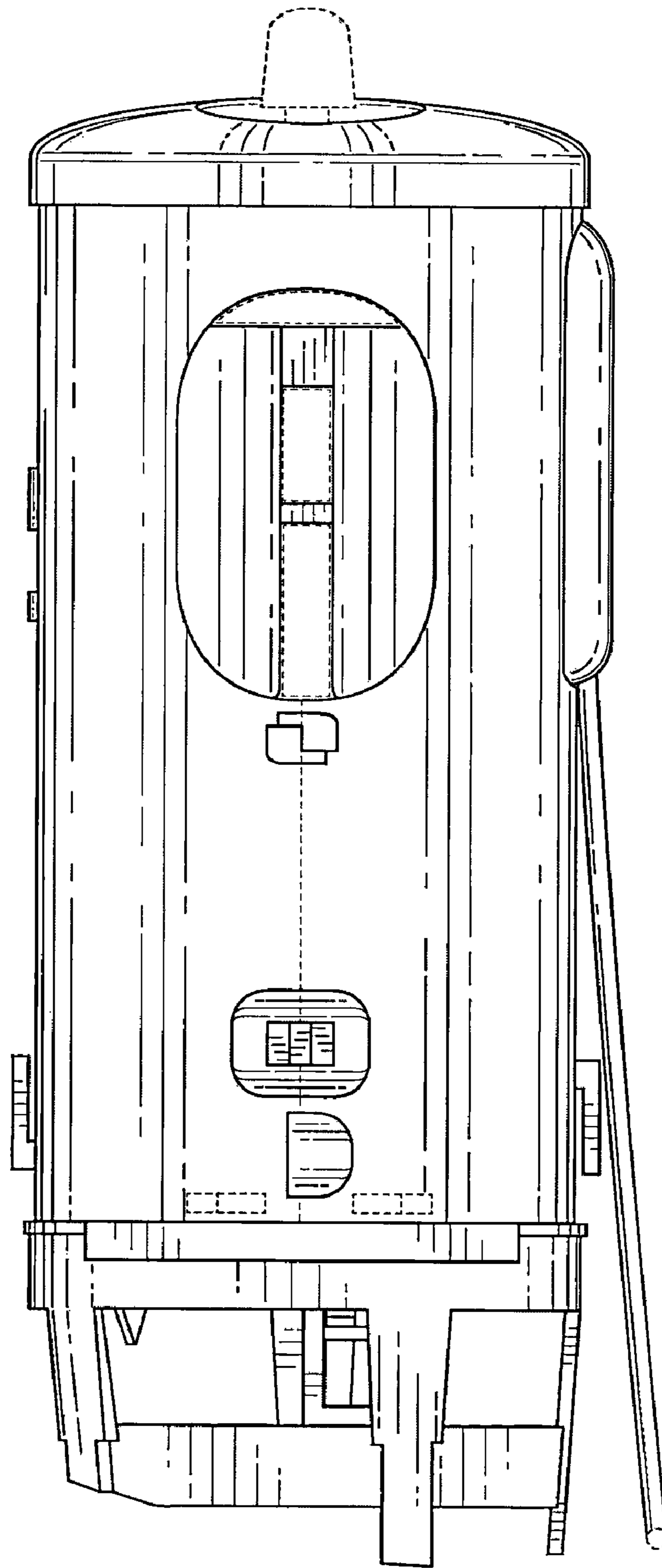


FIG. 3

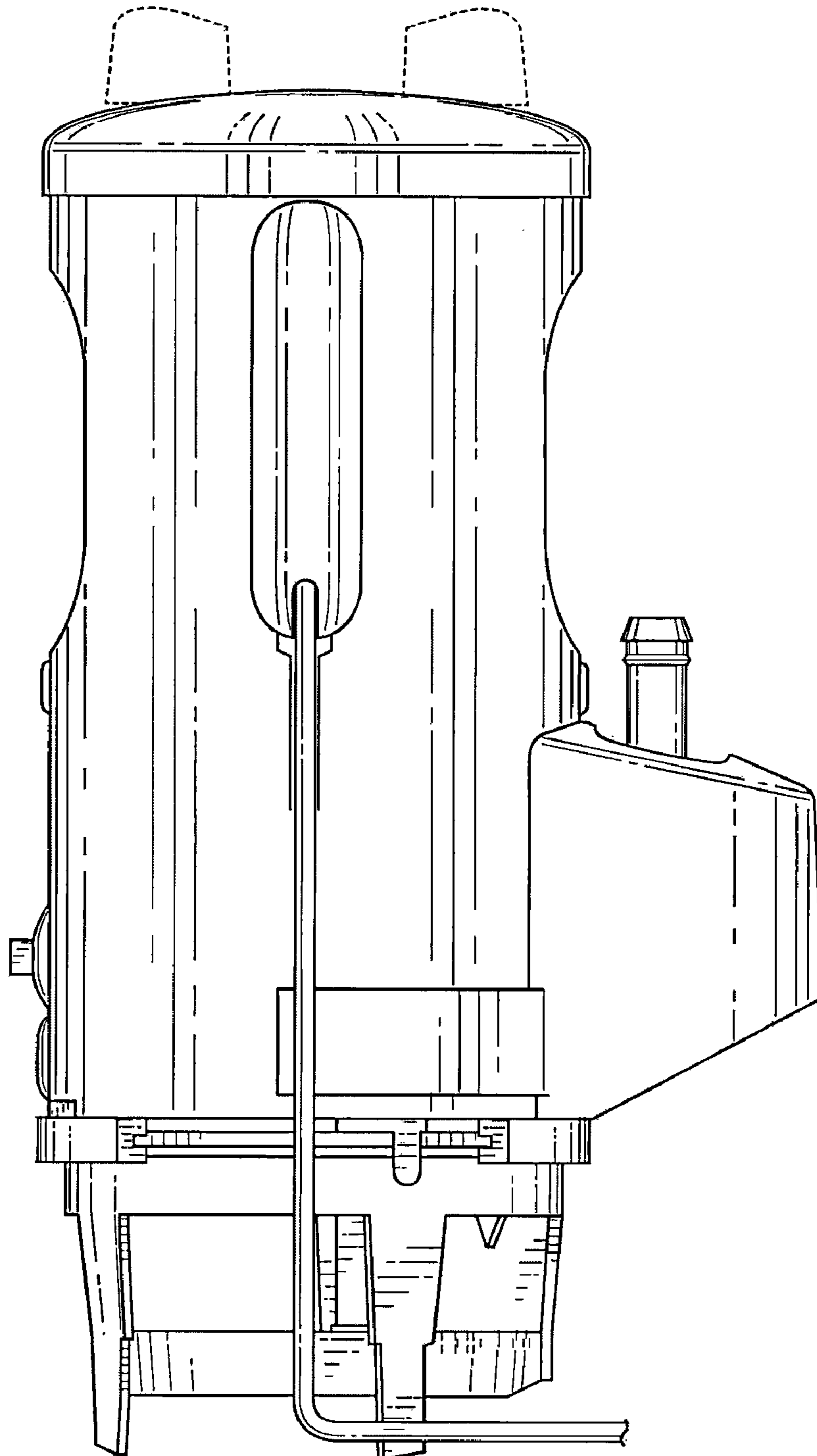


FIG. 4

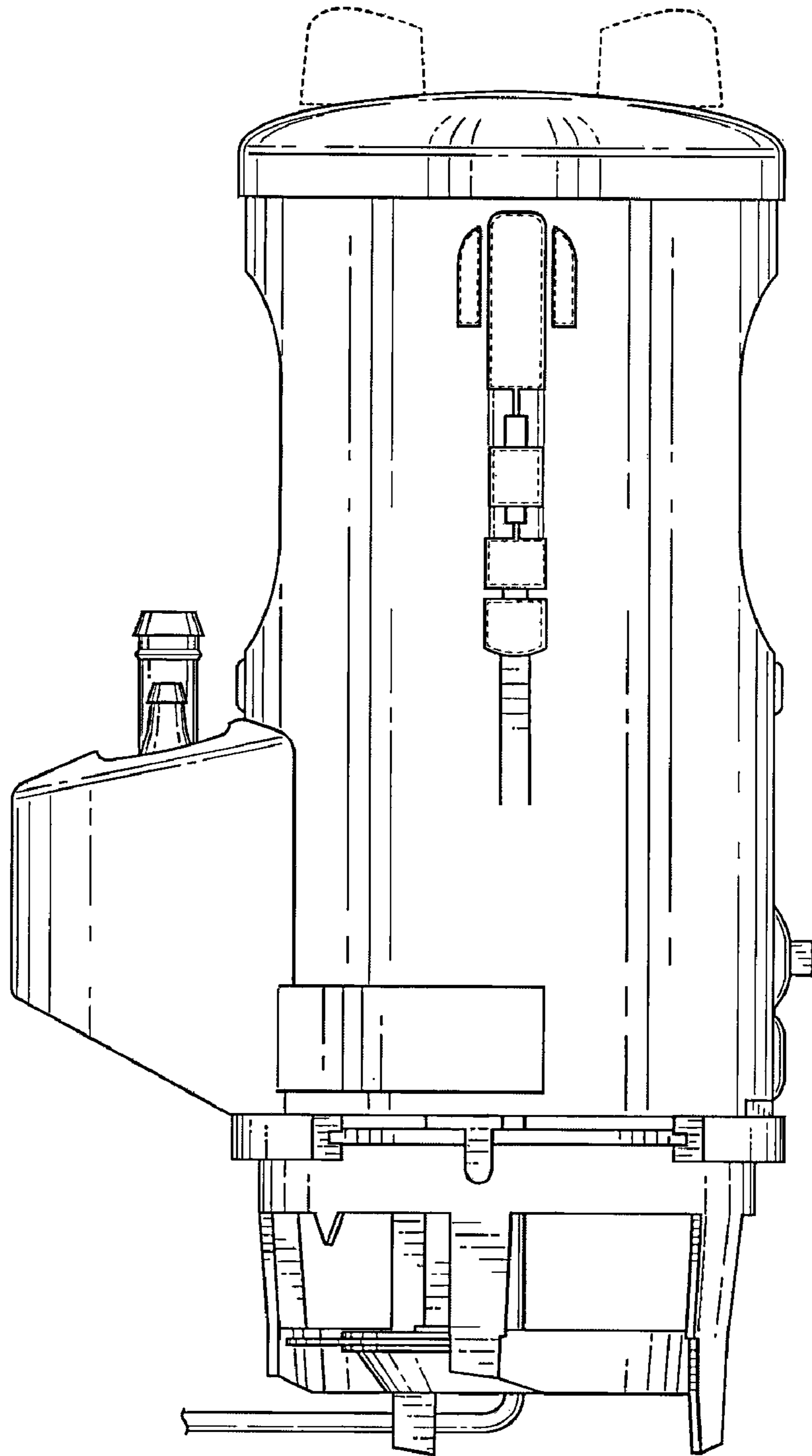


FIG. 5

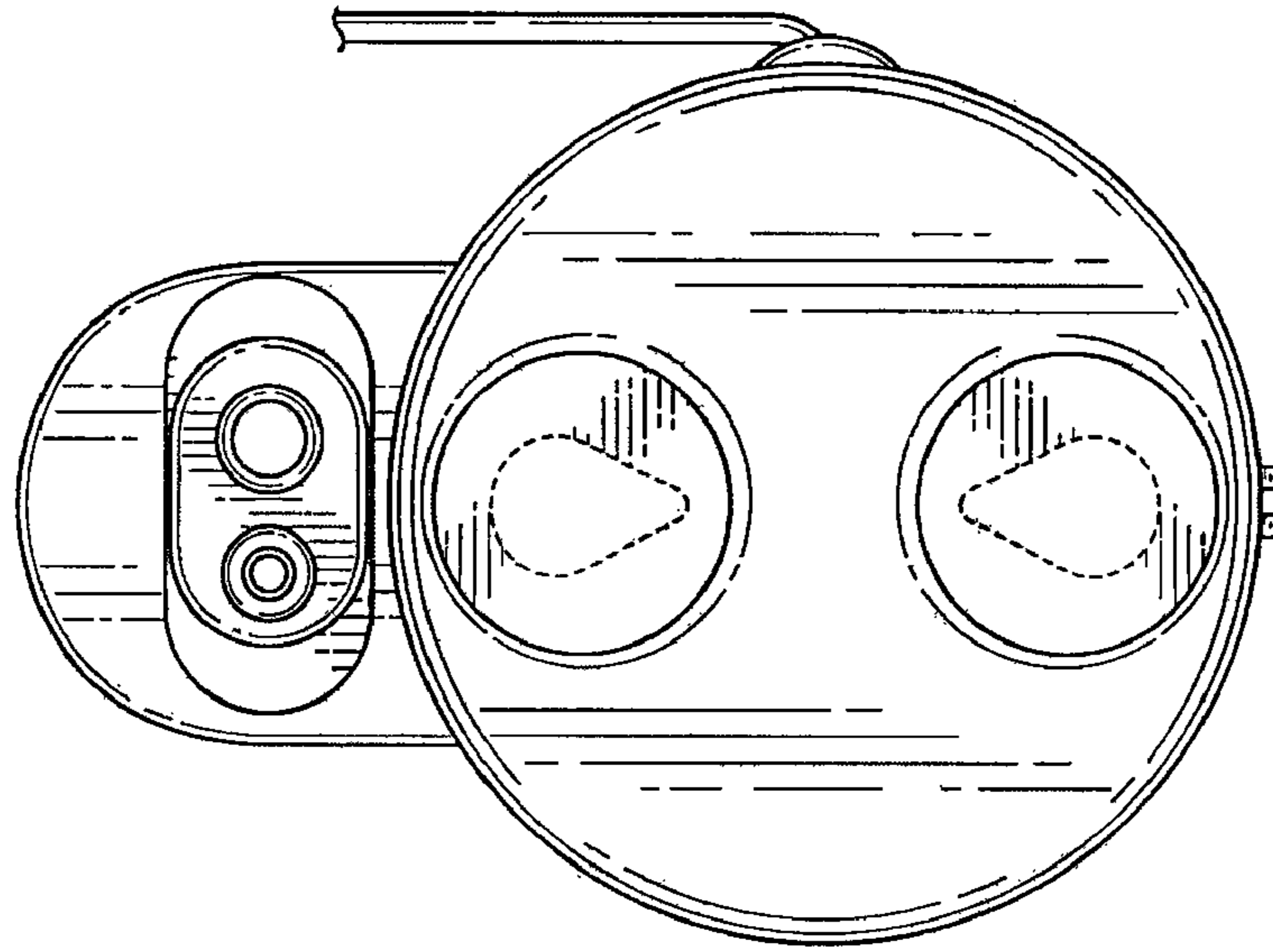


FIG. 6

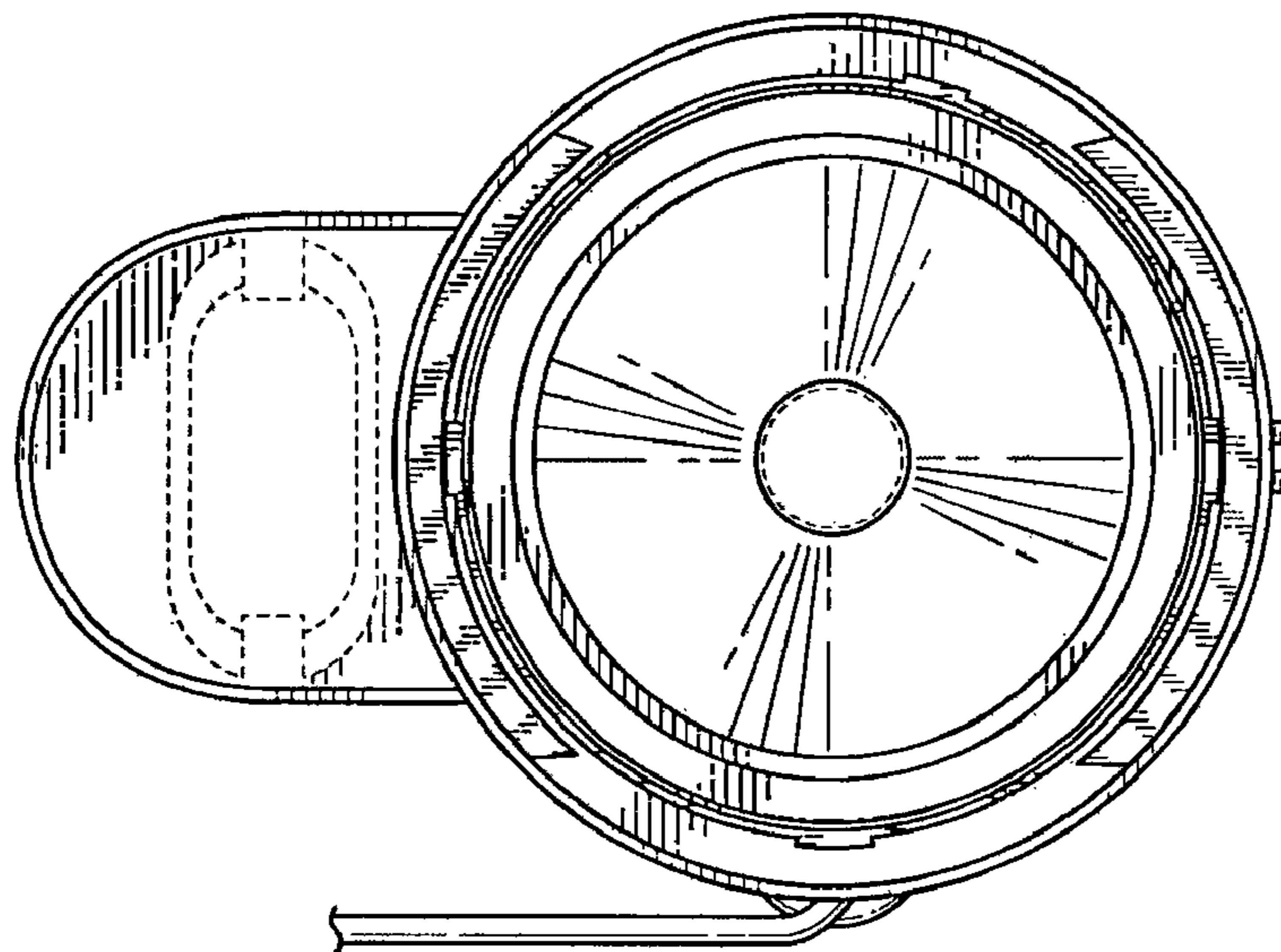


FIG. 7