



US00D678981S

(12) **United States Design Patent**  
**Shengyong**

(10) **Patent No.:** **US D678,981 S**

(45) **Date of Patent:** **\*\* Mar. 26, 2013**

(54) **VALVE**

(75) Inventor: **Yao Shengyong**, Guizhou (CN)

(73) Assignee: **Brasscraft Manufacturing Company**,  
Novi, MI (US)

(\*\*) Term: **14 Years**

(21) Appl. No.: **29/391,075**

(22) Filed: **May 3, 2011**

(51) **LOC (9) Cl.** ..... **23-01**

(52) **U.S. Cl.** ..... **D23/233**

(58) **Field of Classification Search** ..... D23/233-237,  
D23/266, 262-3; 251/315.1; 137/549

See application file for complete search history.

(56) **References Cited**

**U.S. PATENT DOCUMENTS**

1,559,222	A	*	10/1925	Carrey	.....	137/382
D202,163	S	*	8/1965	Claus	.....	D23/234
D244,605	S	*	6/1977	Ratnik	.....	D23/234
D479,577	S	*	9/2003	Engelbrektsson	.....	D23/235
D538,889	S	*	3/2007	Marstorp	.....	D23/233
D615,617	S	*	5/2010	Hutton	.....	D23/233
D623,271	S	*	9/2010	Yamada	.....	D23/233
D624,628	S	*	9/2010	Haynes	.....	D23/233
D625,777	S	*	10/2010	Loffler	.....	D23/233

D639,392 S \* 6/2011 Yamada ..... D23/233

\* cited by examiner

*Primary Examiner* — Robin V Webster

(74) *Attorney, Agent, or Firm* — Edgar A. Zarins; Nirav D. Parikh; Lora J. Graentzdoerffer

(57) **CLAIM**

The ornamental design for a valve, as shown and described.

**DESCRIPTION**

FIG. 1 is a perspective view of a valve showing my new design;

FIG. 2 is a first side thereof, the opposite side being a mirror image of the side shown;

FIG. 3 is a bottom plan view thereof;

FIG. 4 is a top plan view thereof;

FIG. 5 is a first end view thereof;

FIG. 6 is a second end view thereof;

FIG. 7 is a perspective view of an alternative embodiment thereof;

FIG. 8 is a first side view thereof;

FIG. 9 is a bottom plan view thereof;

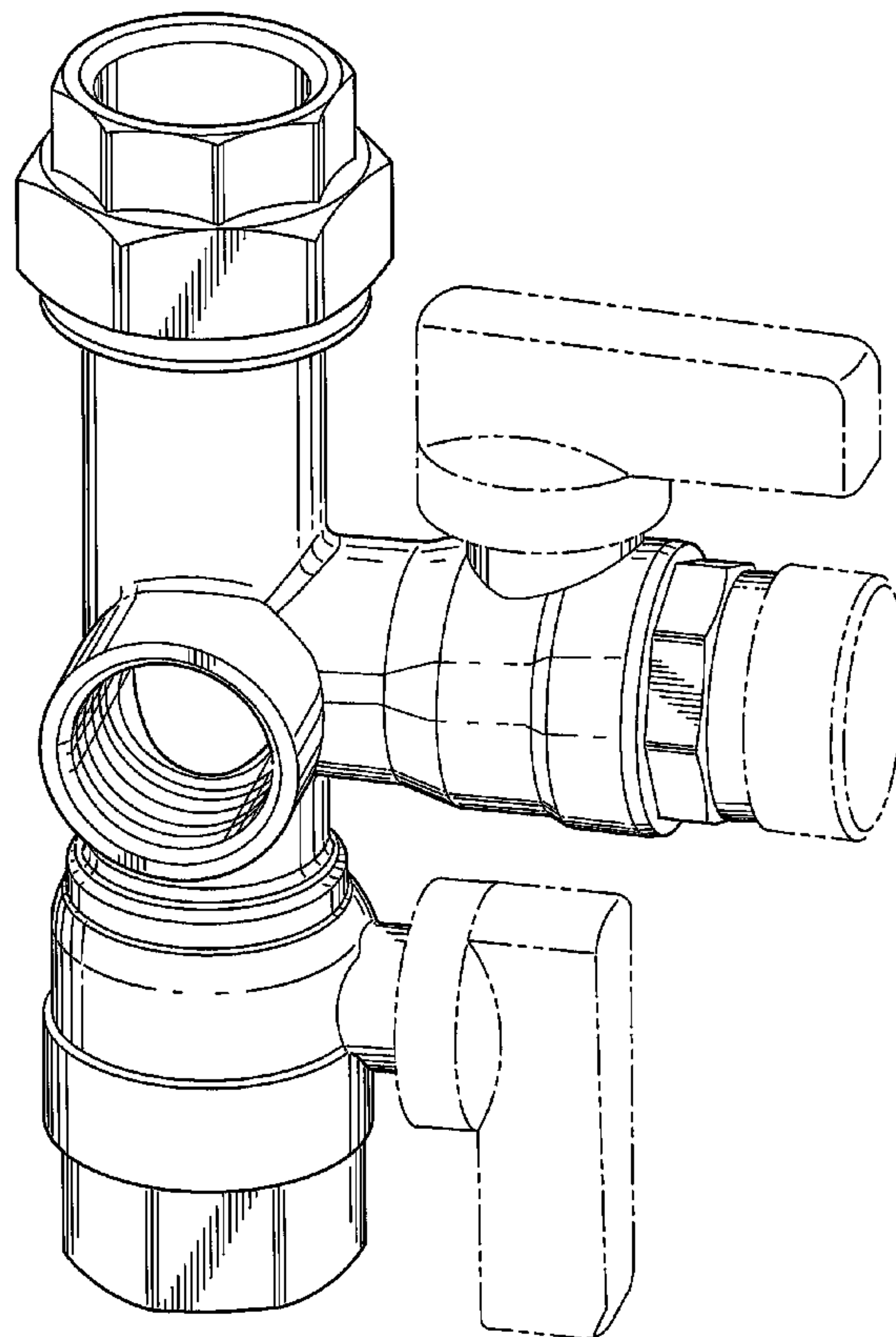
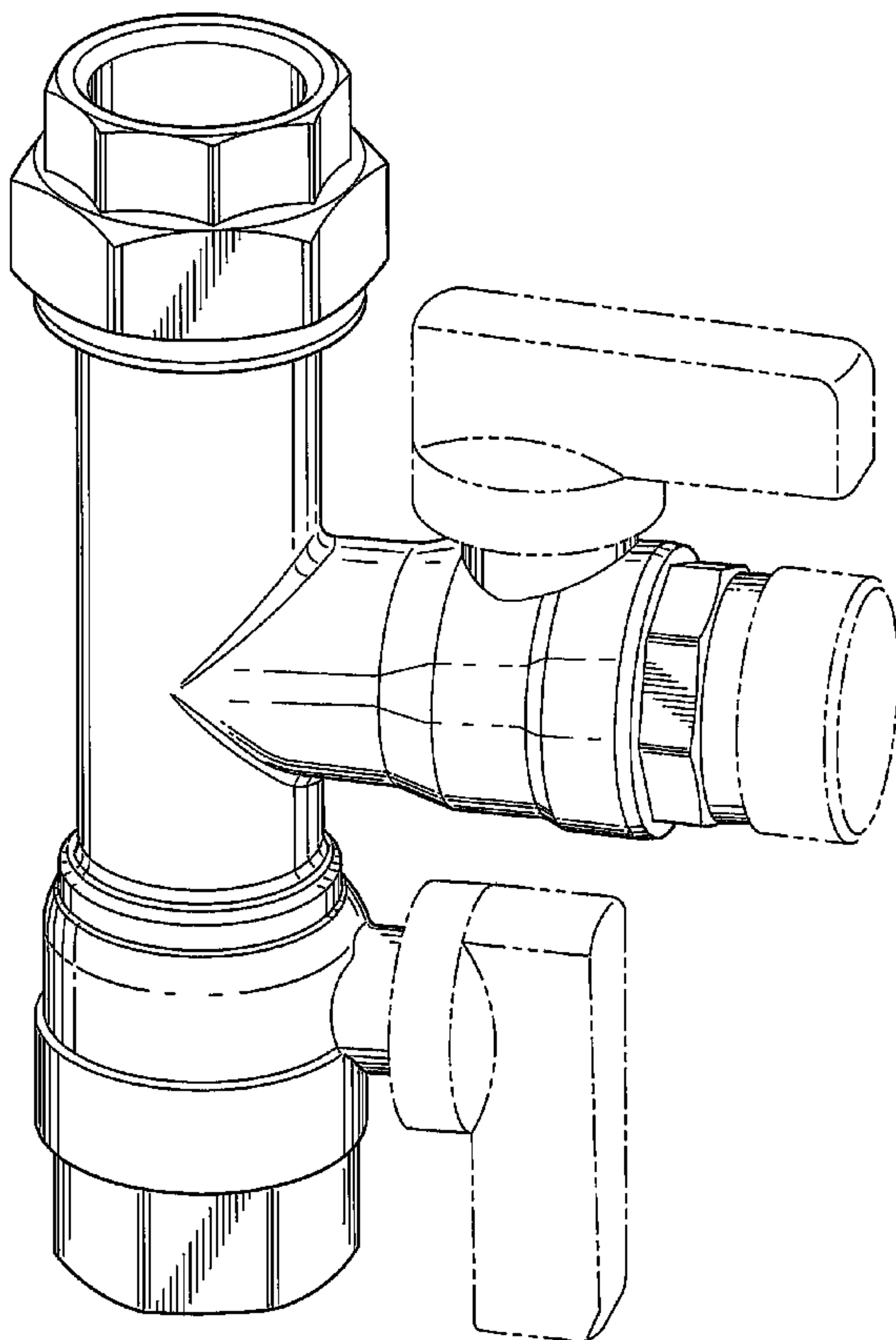
FIG. 10 is a top plan view thereof;

FIG. 11 is a first end view thereof; and,

FIG. 12 is a second end view thereof.

The broken line showing is included for the purpose of illustrating and forms no part of the claimed design.

**1 Claim, 8 Drawing Sheets**



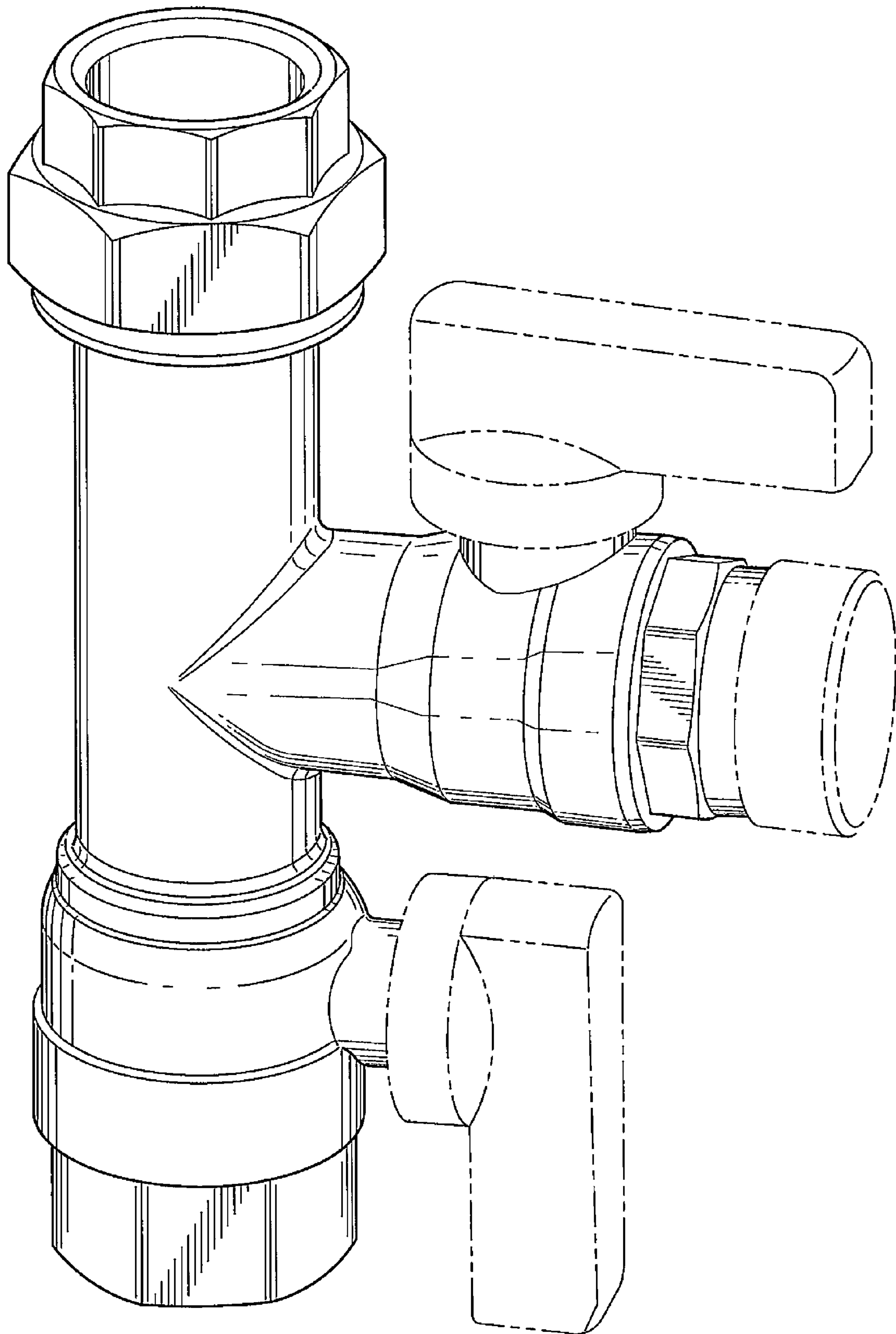


Fig-1

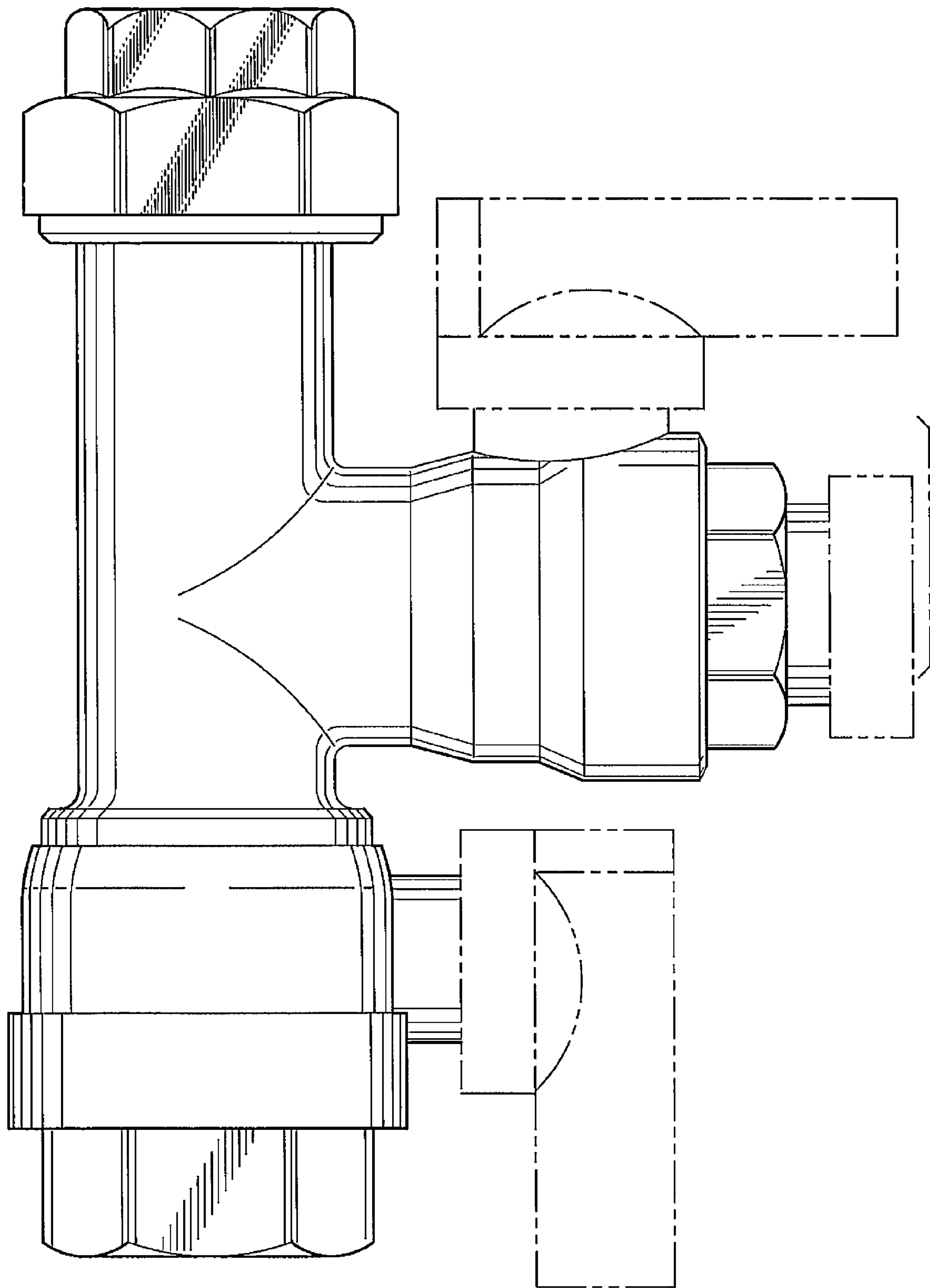


Fig-2

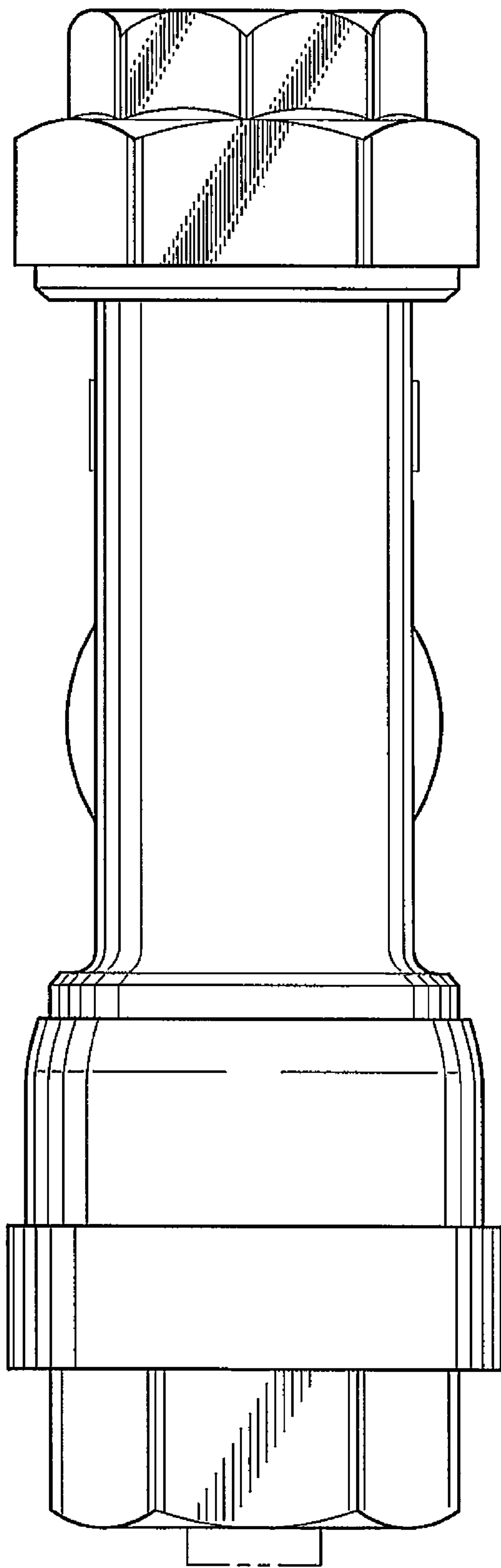


Fig-3

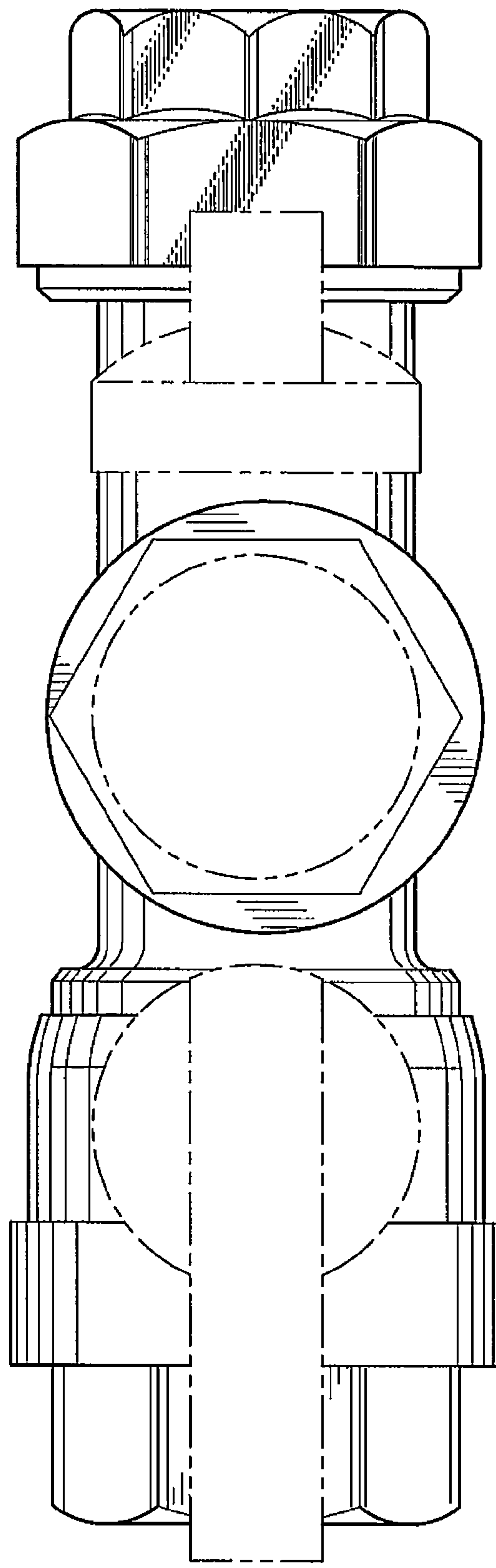


Fig-4

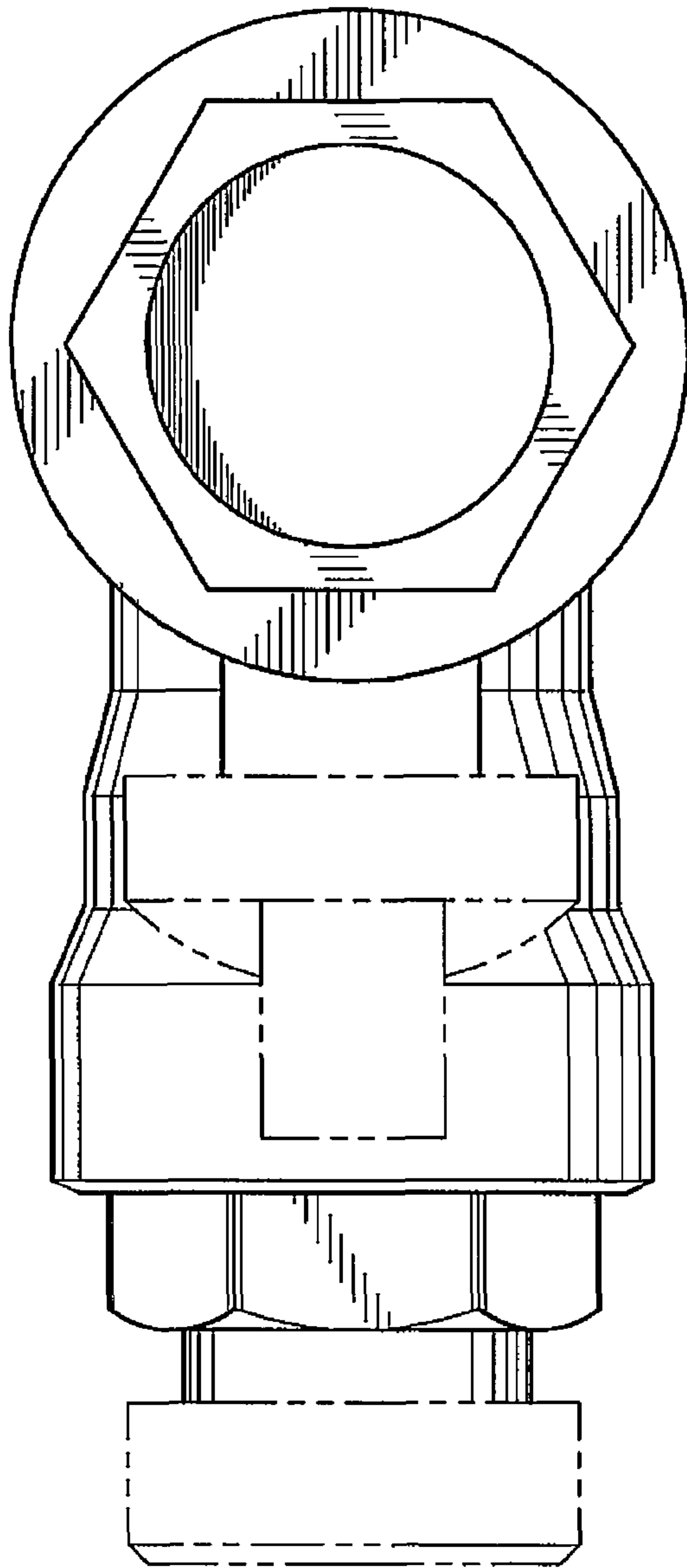


Fig-5

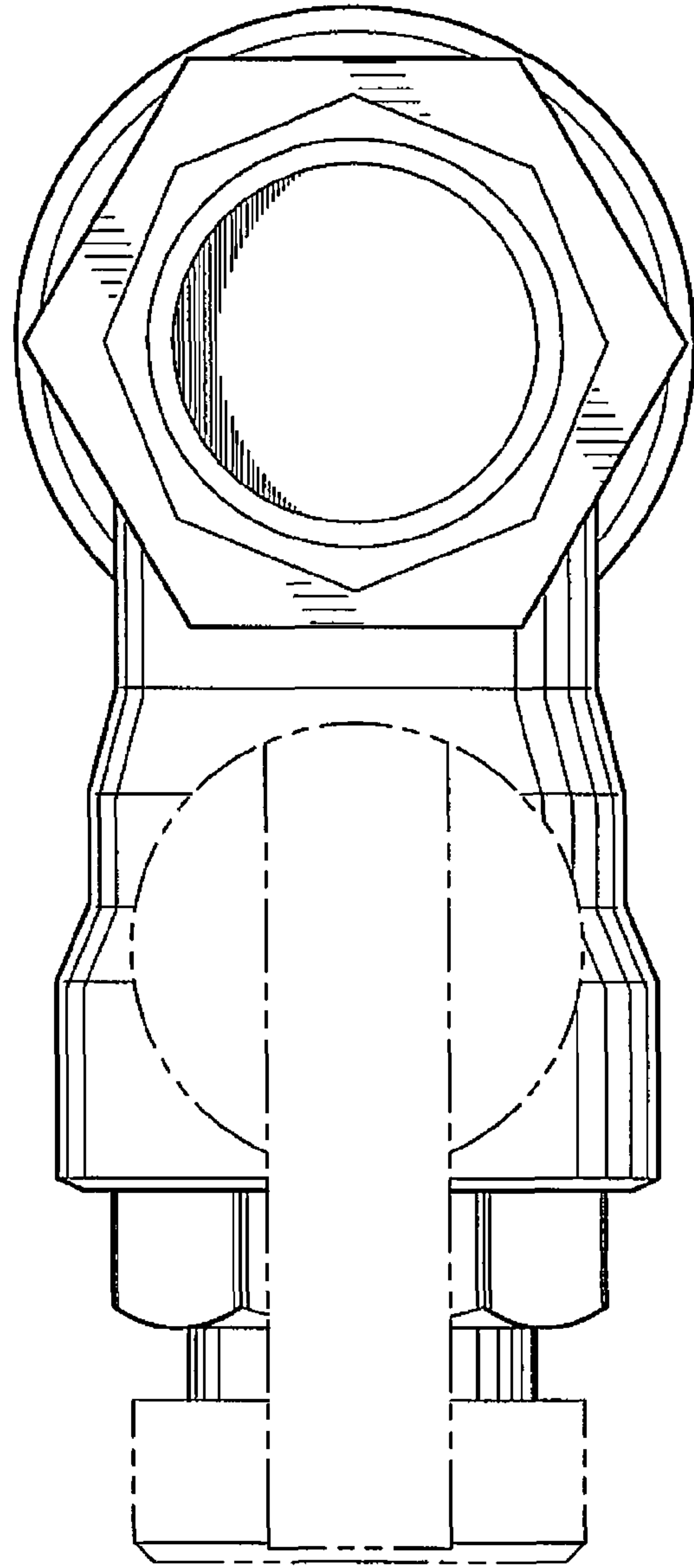


Fig-6



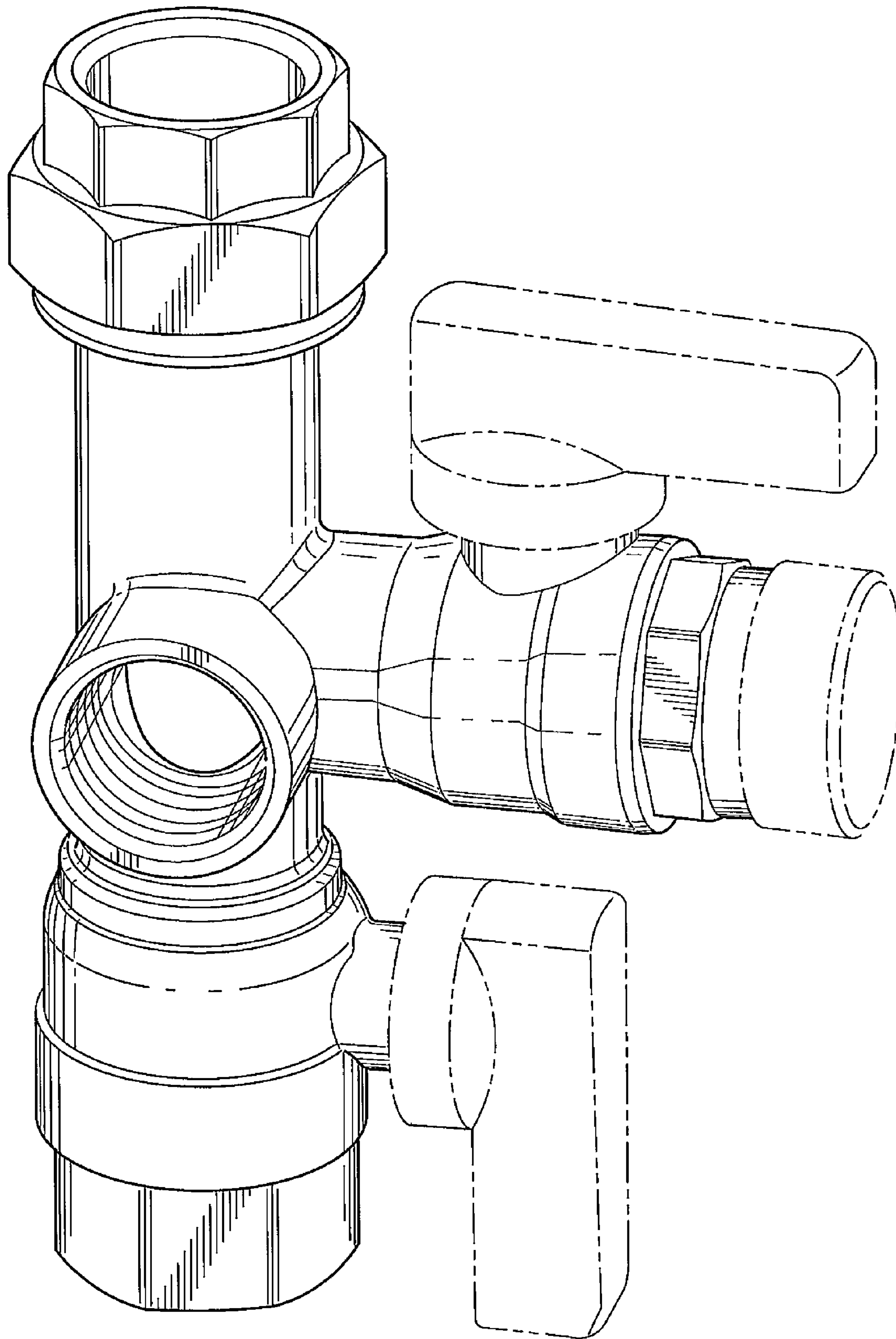


Fig-7

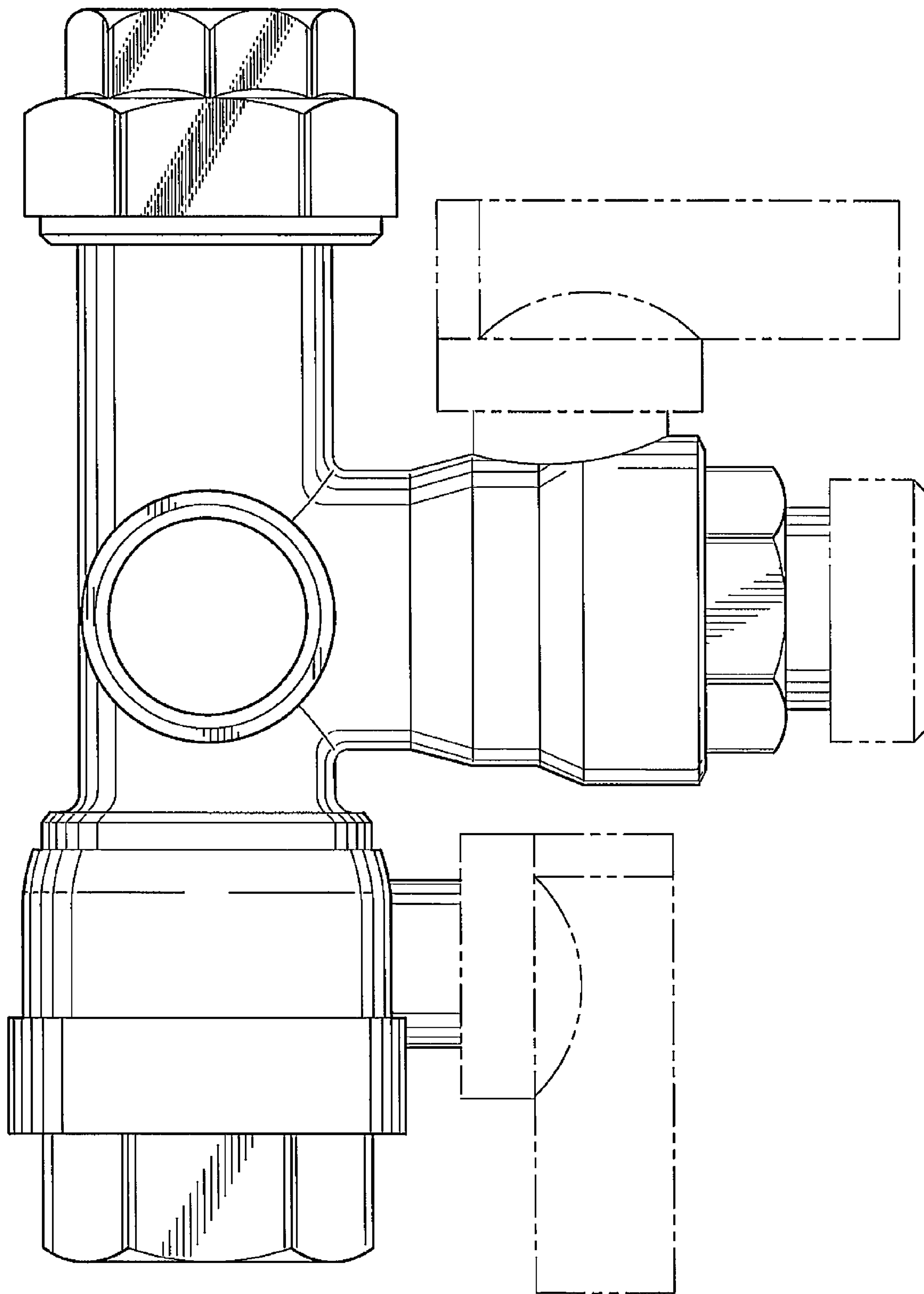


Fig-8

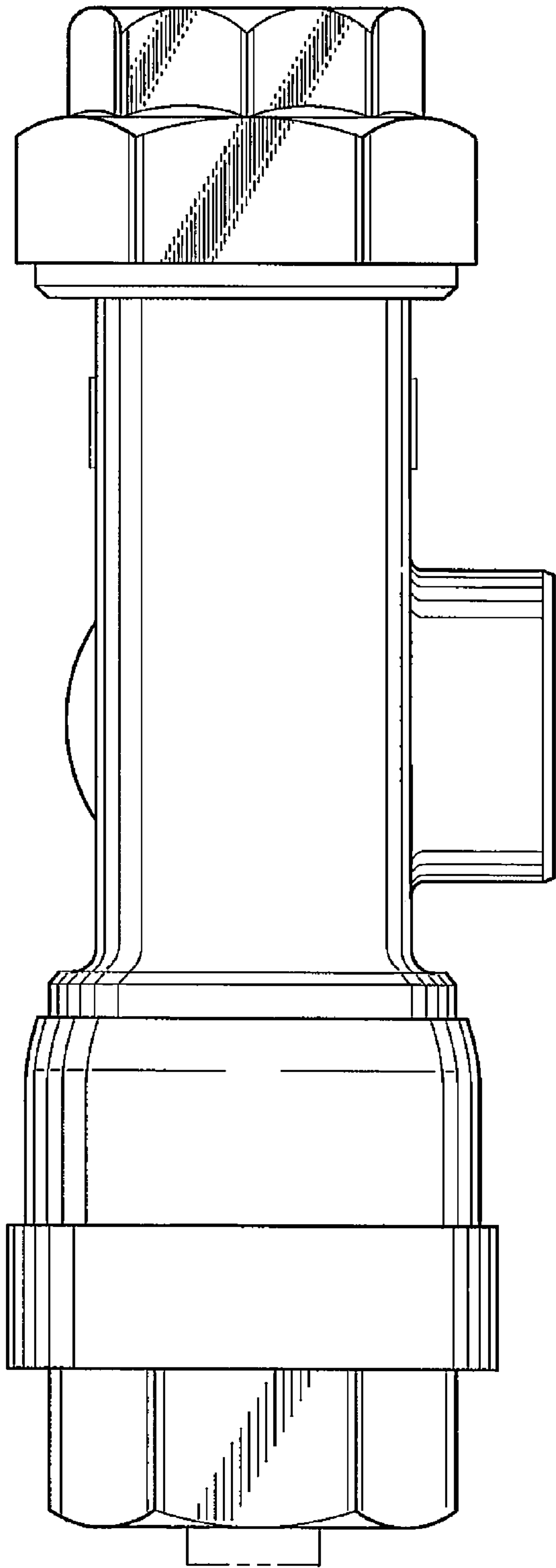


Fig-9

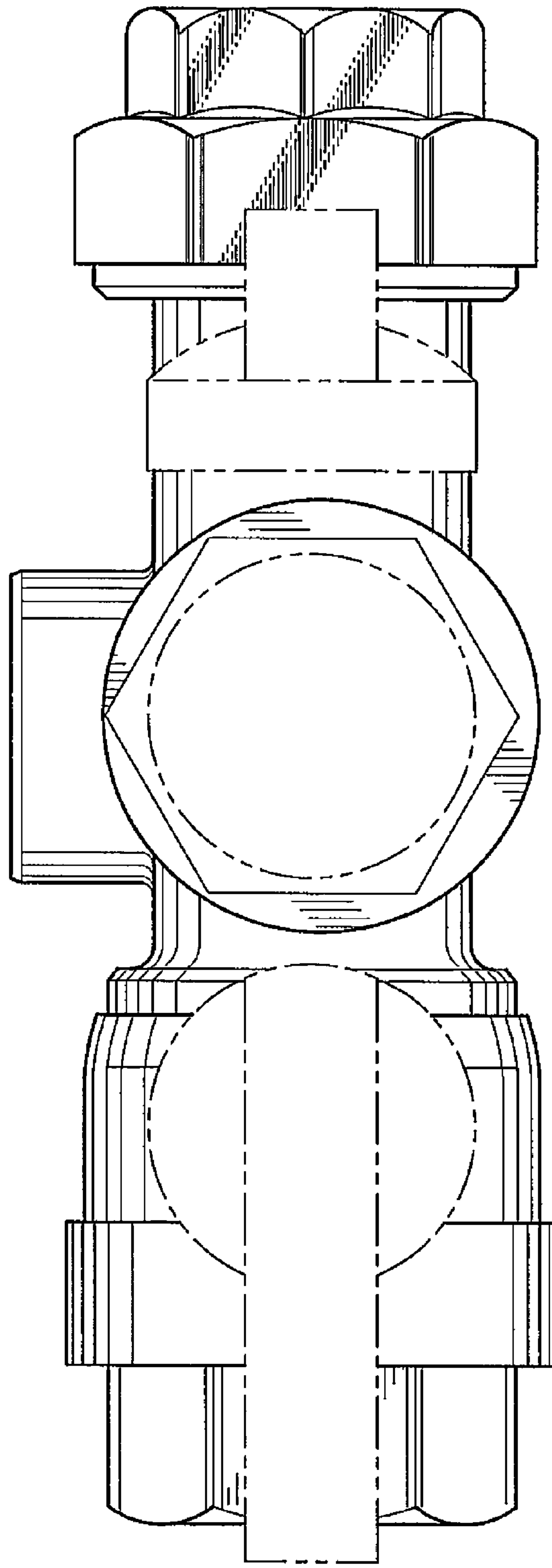


Fig-10



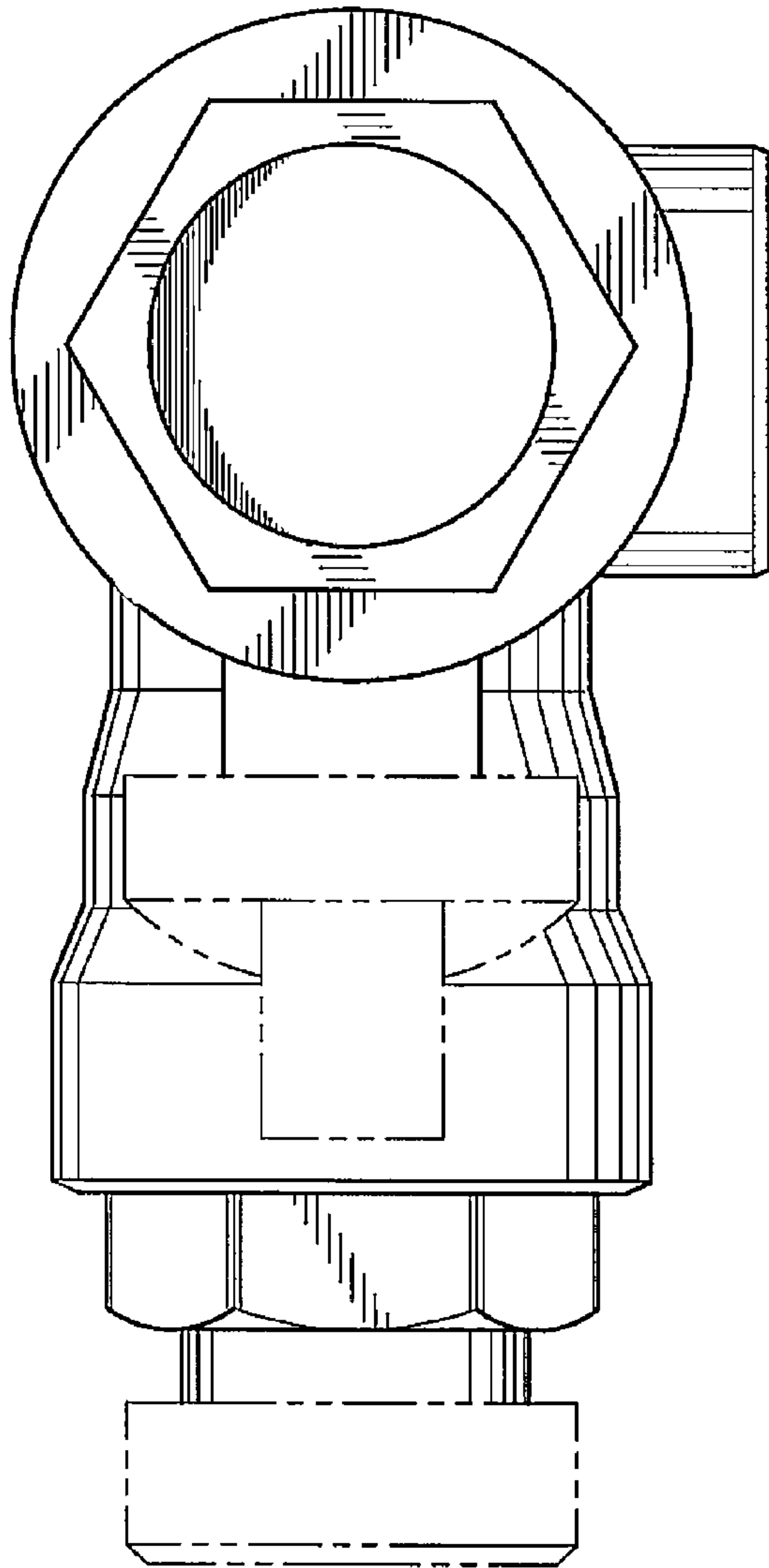


Fig-11

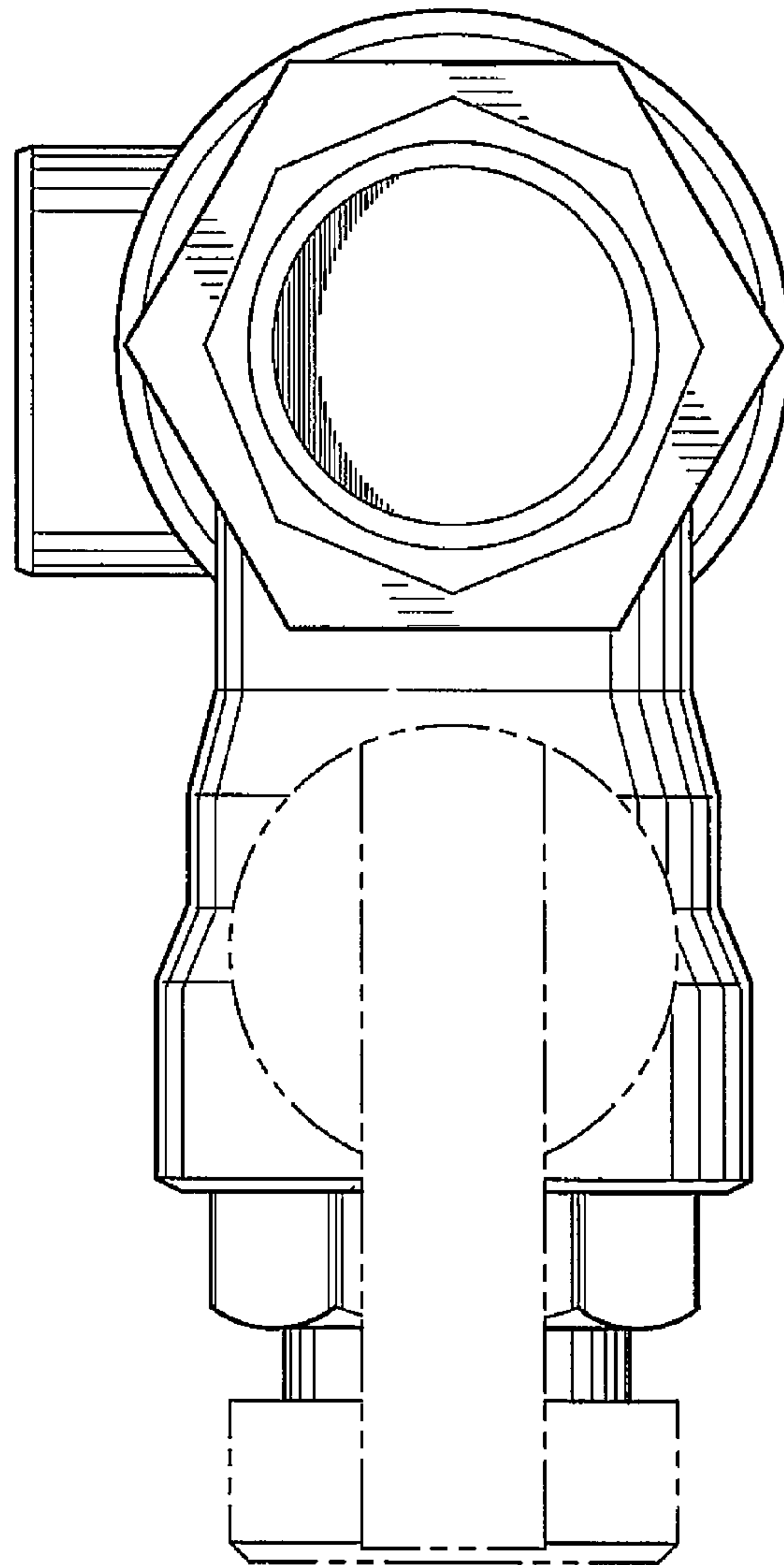


Fig-12