



US00D678980S

(12) **United States Design Patent**  
**Nies et al.**

(10) **Patent No.:** **US D678,980 S**  
(45) **Date of Patent:** **\*\* Mar. 26, 2013**

(54) **WATER NOZZLE**

(75) Inventors: **Juergen Nies**, Winchester, VA (US); **Ha Van Duong**, Winchester, VA (US); **Richard King Boyle**, Winchester, VA (US); **Vicky Ann Michael**, Winchester, VA (US)

(73) Assignee: **Melnor, Inc.**, Winchester, VA (US)

(\*\*) Term: **14 Years**

(21) Appl. No.: **29/412,192**

(22) Filed: **Jan. 31, 2012**

(51) **LOC (9) Cl.** ..... **23-01**

(52) **U.S. Cl.** ..... **D23/223**

(58) **Field of Classification Search** ..... D23/213,

D23/223, 226; 239/525-527, 462  
See application file for complete search history.

(56) **References Cited**

**U.S. PATENT DOCUMENTS**

D370,713 S	6/1996	Guo
D451,981 S	12/2001	Ericksen
D468,802 S	1/2003	Nien
D484,947 S	1/2004	Chen
D534,241 S	12/2006	Wang
D548,392 S	8/2007	Lo et al.

D553,223 S	10/2007	Yu
D558,858 S	1/2008	Chih
D559,354 S	1/2008	Chih
D584,381 S	1/2009	Hung
D585,958 S	2/2009	Cheng
D604,390 S	11/2009	Cheng
D606,625 S	12/2009	Zore

**OTHER PUBLICATIONS**

Website—Melnor.com/aquaguns.php; Melnor, Inc., 2009.

*Primary Examiner* — Robin V Webster

(74) *Attorney, Agent, or Firm* — Westerman, Hattori, Daniels & Adrian, LLP

(57) **CLAIM**

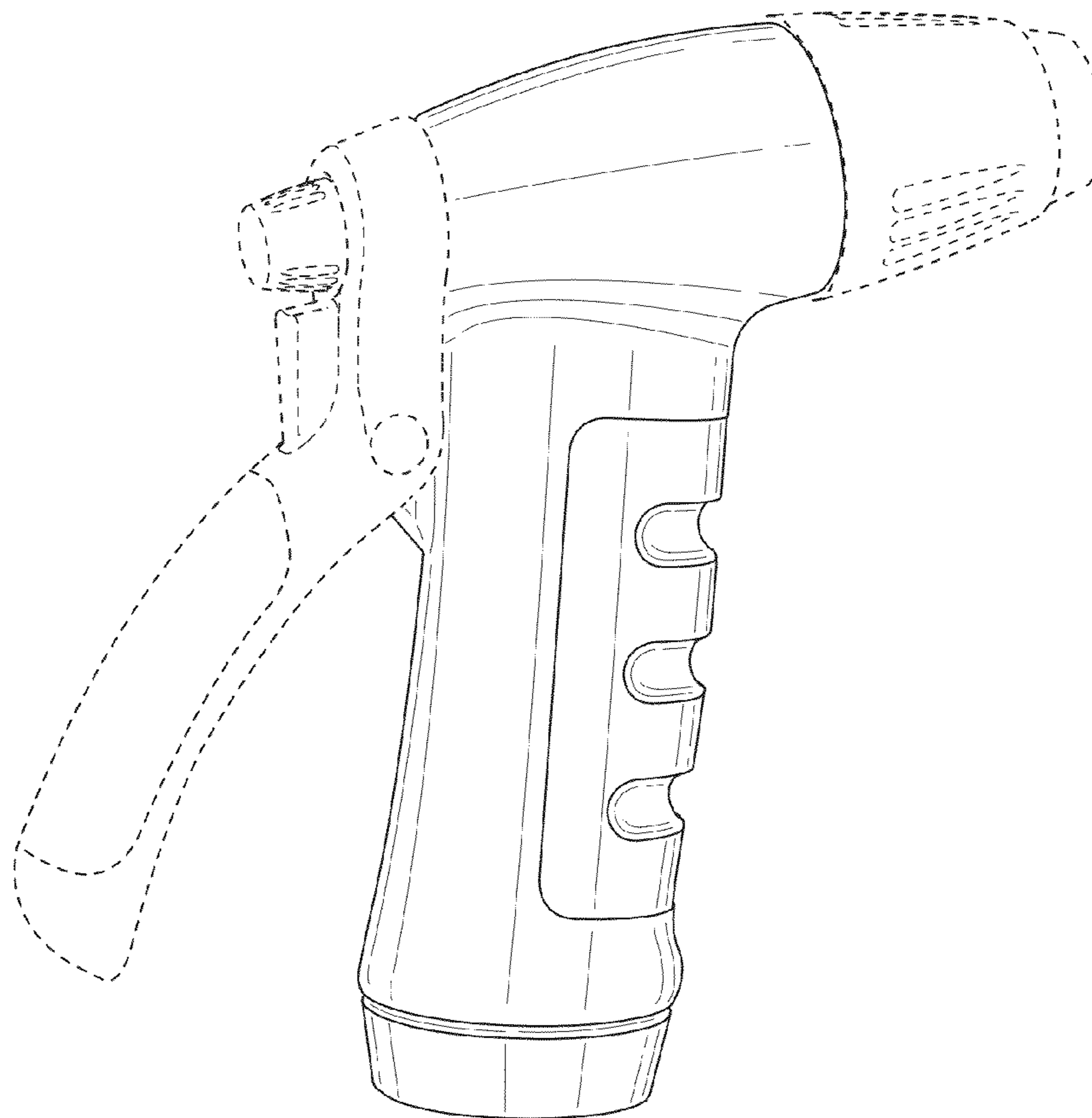
The ornamental design for a water nozzle, as shown and described.

**DESCRIPTION**

FIG. 1 is a right, front perspective view of a water nozzle; FIG. 2 is a right side elevation view thereof; FIG. 3 is a left side elevation view thereof; FIG. 4 is a rear side elevation view thereof; FIG. 5 is a front side elevation view thereof; FIG. 6 is a top plan view thereof; and, FIG. 7 is a bottom plan view thereof.

The broken lines illustrate environmental structure only and form no part of the claimed design.

**1 Claim, 6 Drawing Sheets**



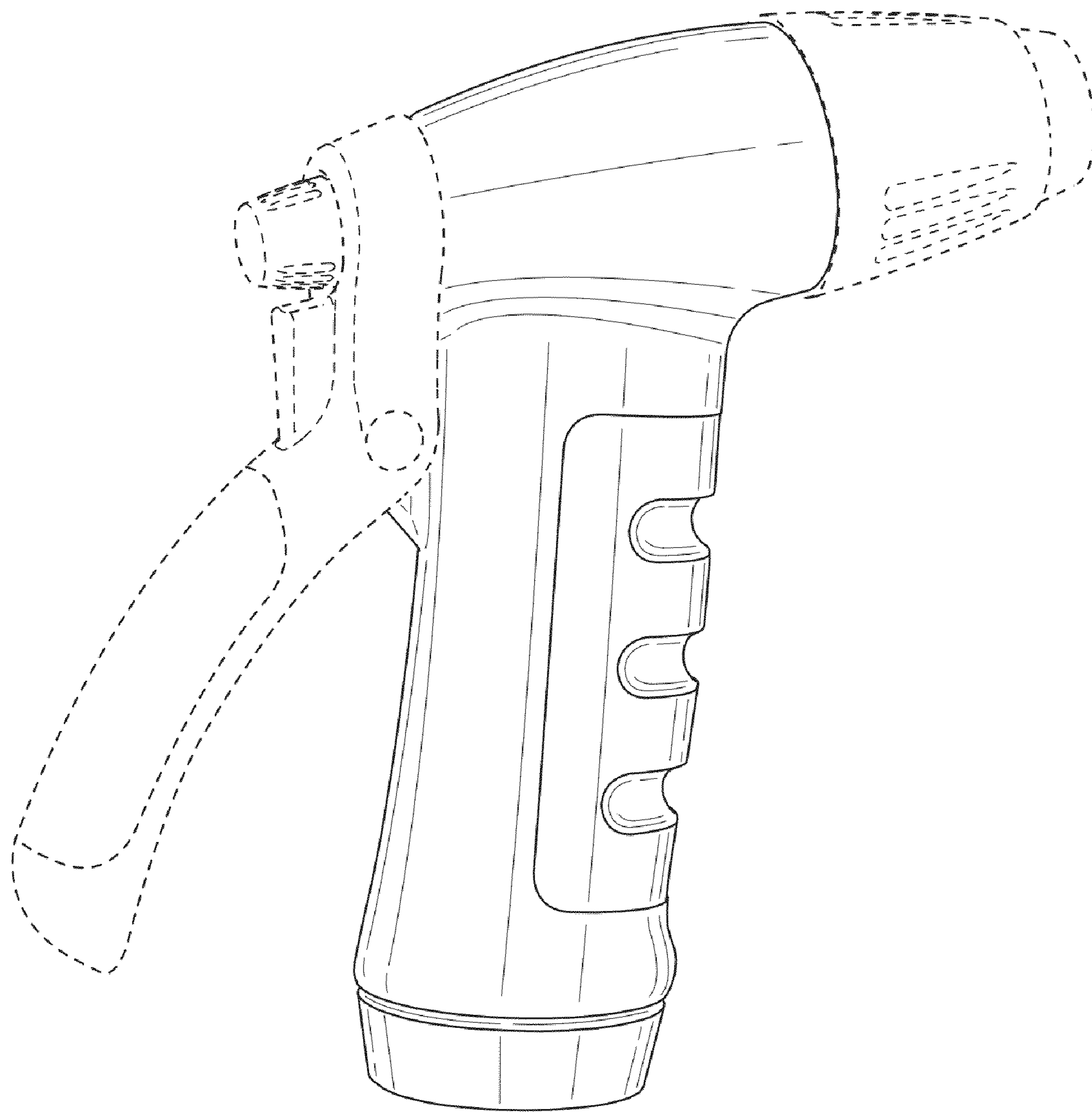


FIG.1

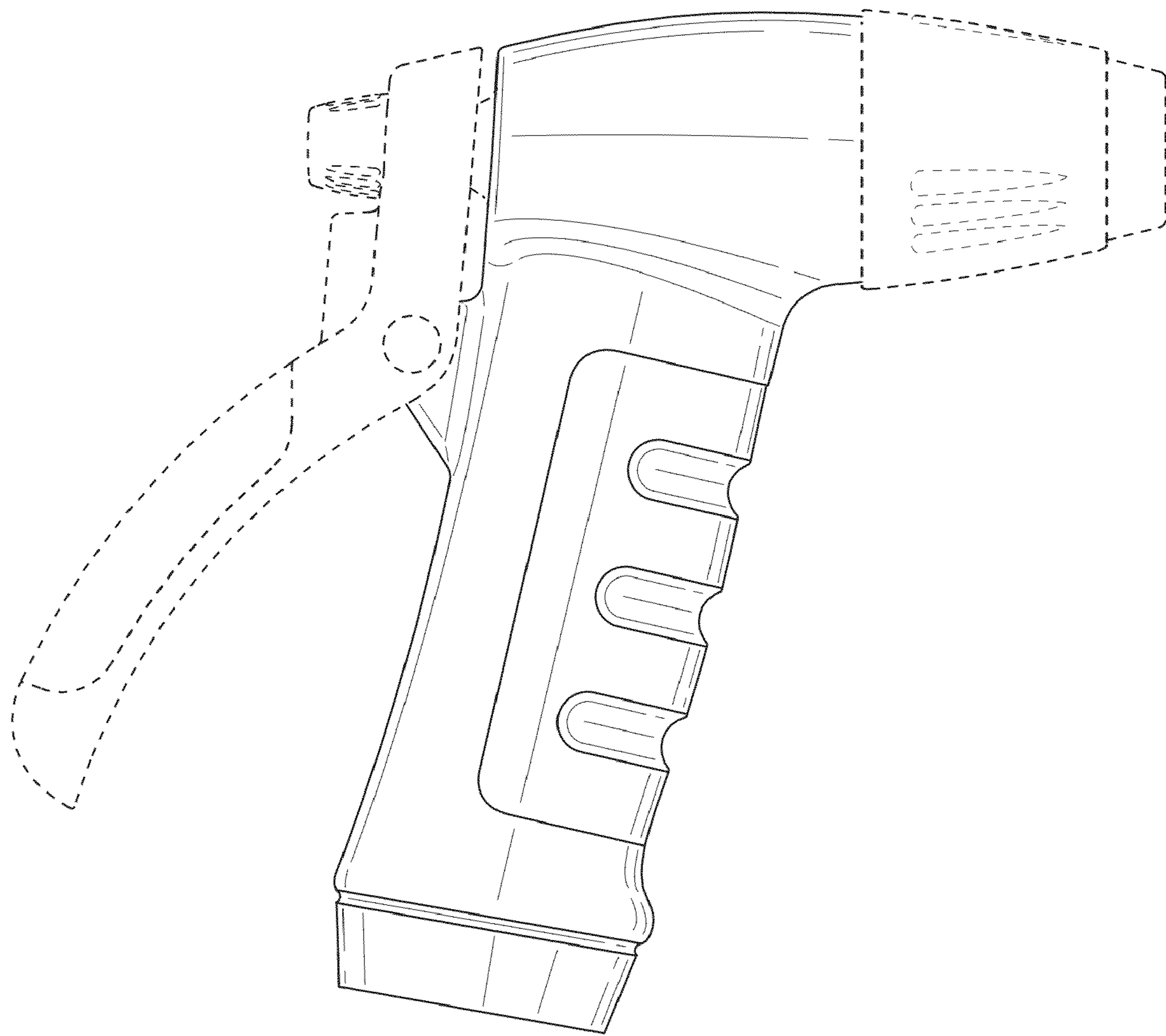


FIG.2

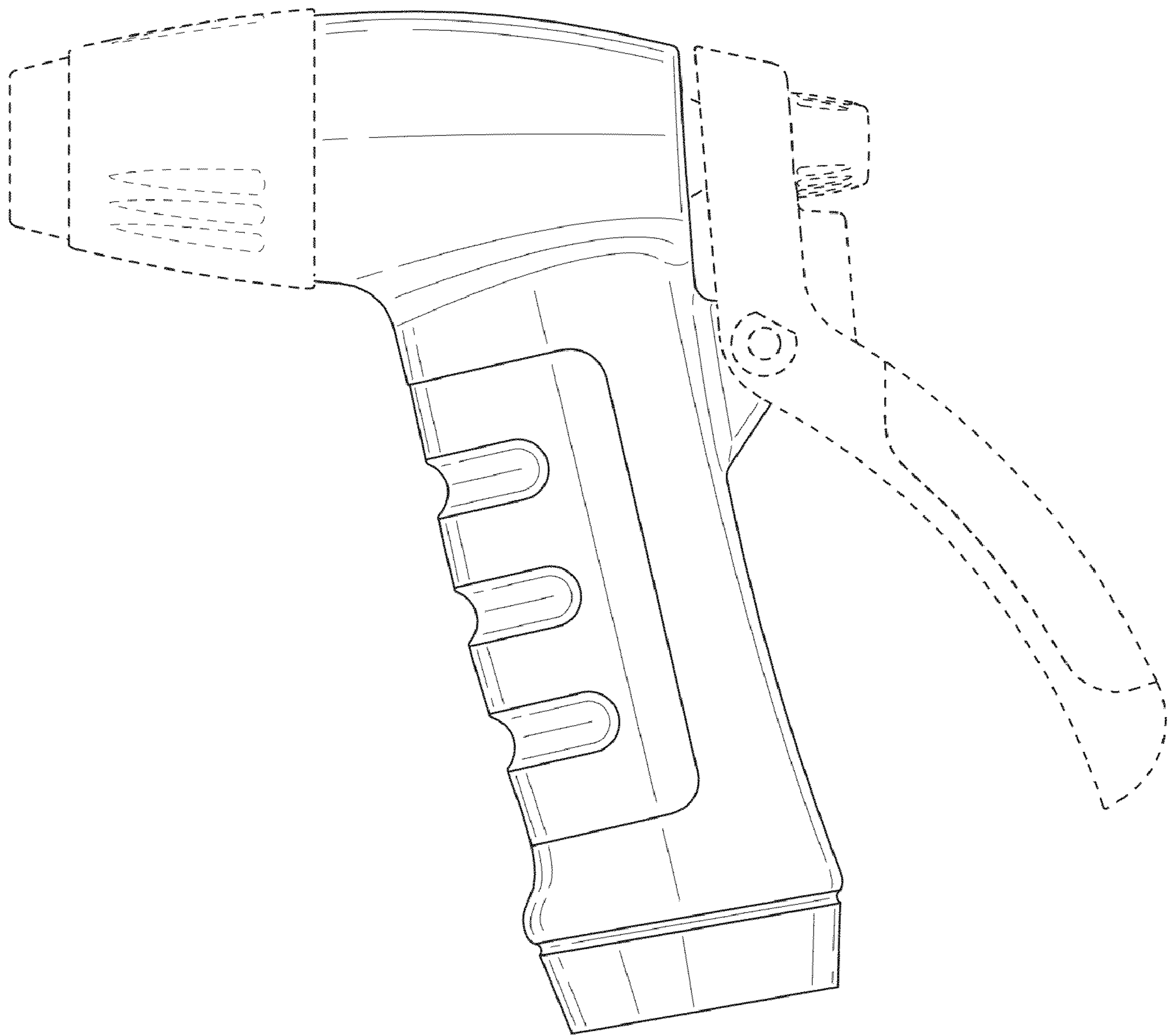


FIG.3

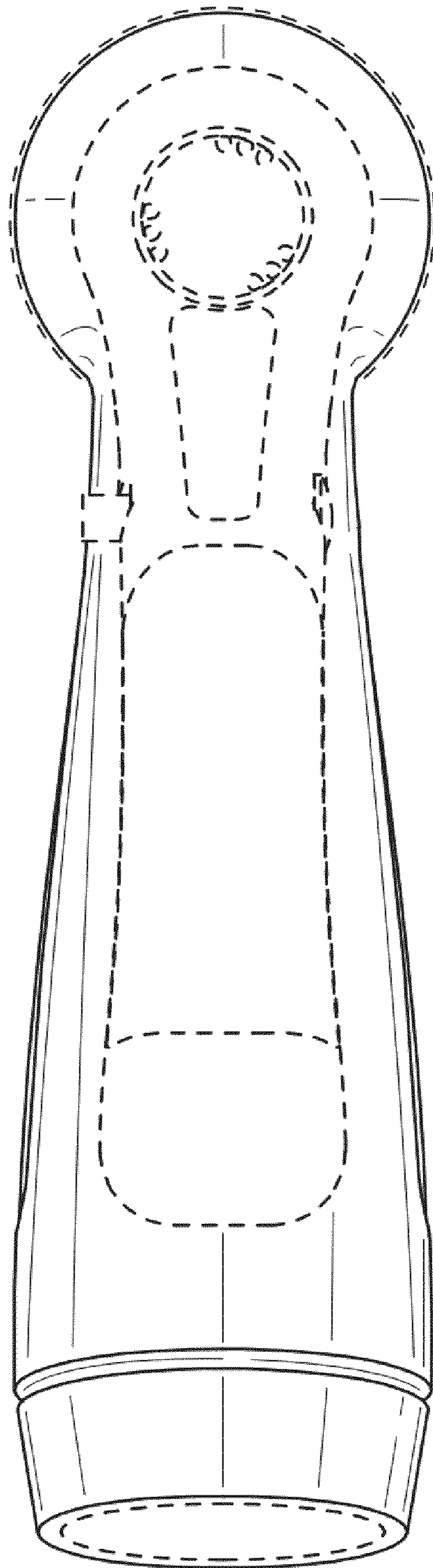


FIG.4

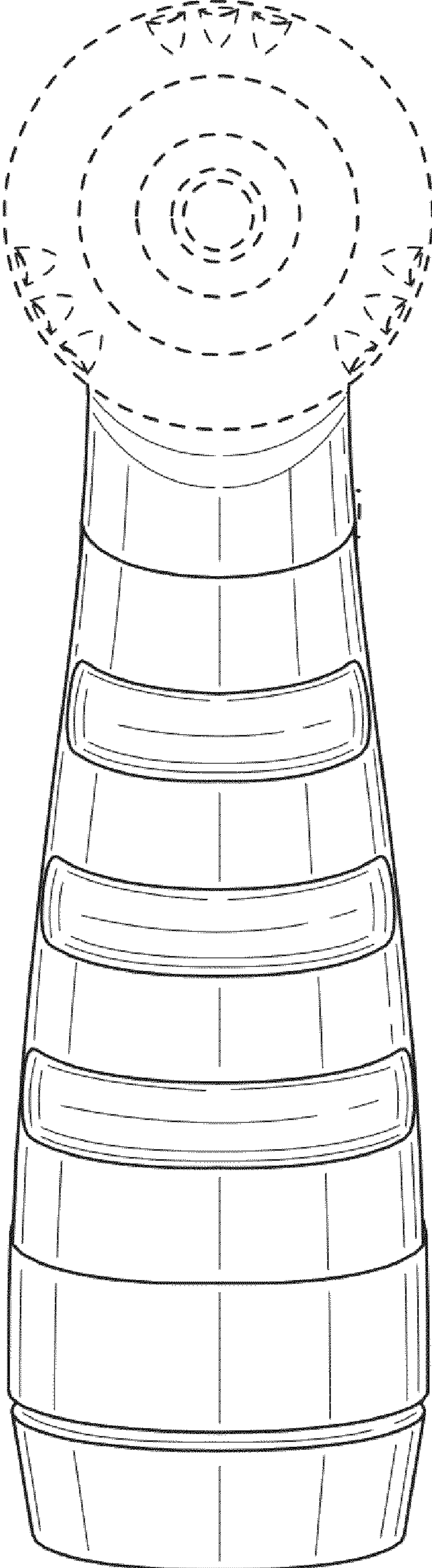


FIG.5

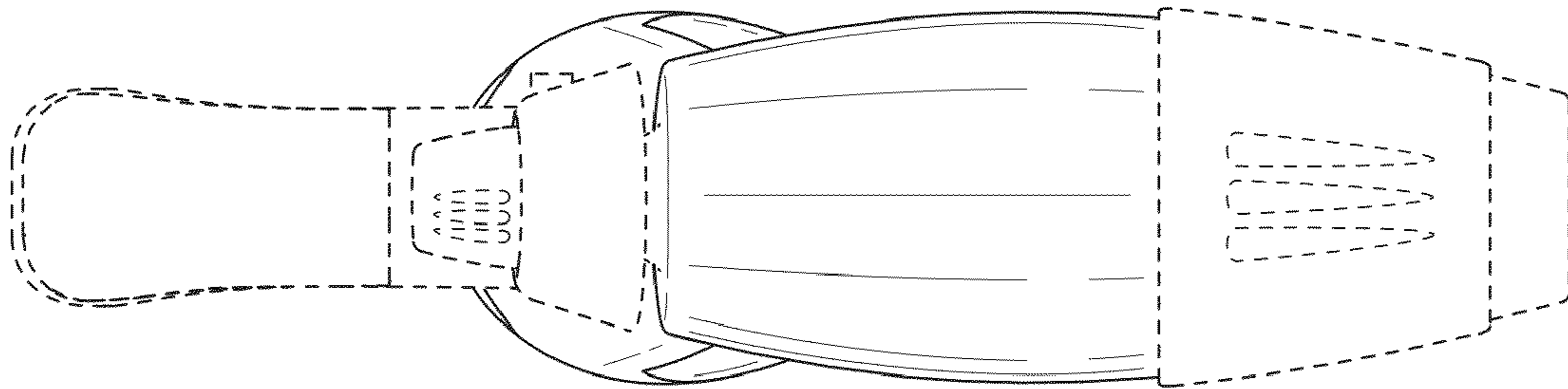


FIG. 6

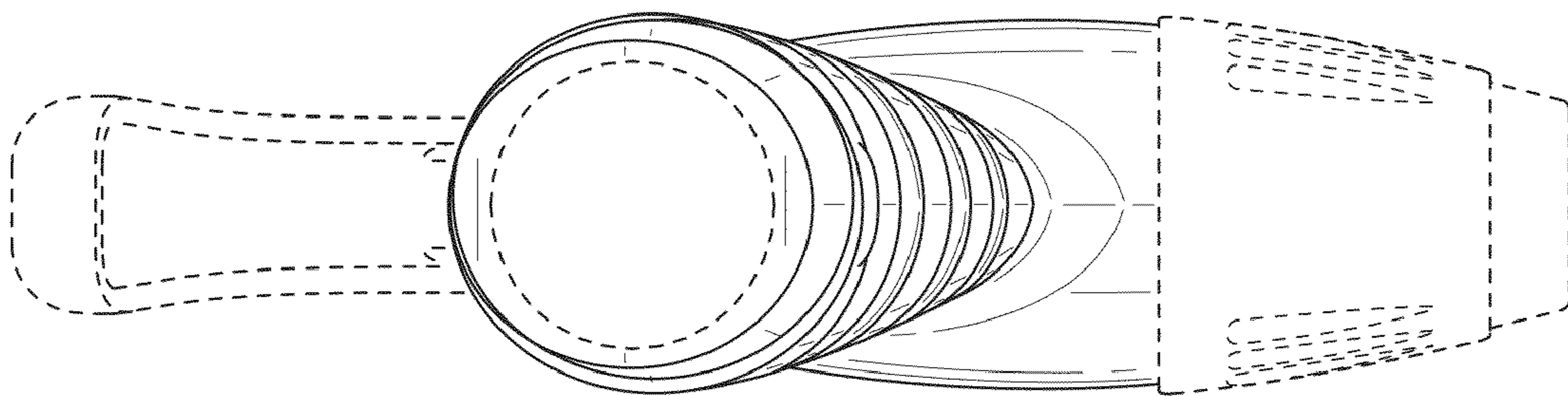


FIG. 7