



US00D678979S

(12) **United States Design Patent**
Liu

(10) **Patent No.:** **US D678,979 S**
(45) **Date of Patent:** **** Mar. 26, 2013**

(54) **WATER PURIFIER**

(75) Inventor: **Jian Liu**, Shenzhen (CN)

(73) Assignee: **Shenzhen Cocabo Water Equipment Co., Ltd.**, Shenzhen (CN)

(**) Term: **14 Years**

(21) Appl. No.: **29/426,476**

(22) Filed: **Jul. 6, 2012**

(51) **LOC (9) Cl.** **23-01**

(52) **U.S. Cl.** **D23/207**

(58) **Field of Classification Search** D23/207-209;
D7/313; 210/435, 241, 140, 190
See application file for complete search history.

(56) **References Cited**

U.S. PATENT DOCUMENTS

D412,552 S * 8/1999 Burrows D23/209

D486,882 S * 2/2004 Riddell D23/207
D641,065 S * 7/2011 Choi D23/207
D643,507 S * 8/2011 Lee D23/207

* cited by examiner

Primary Examiner — Robin V Webster

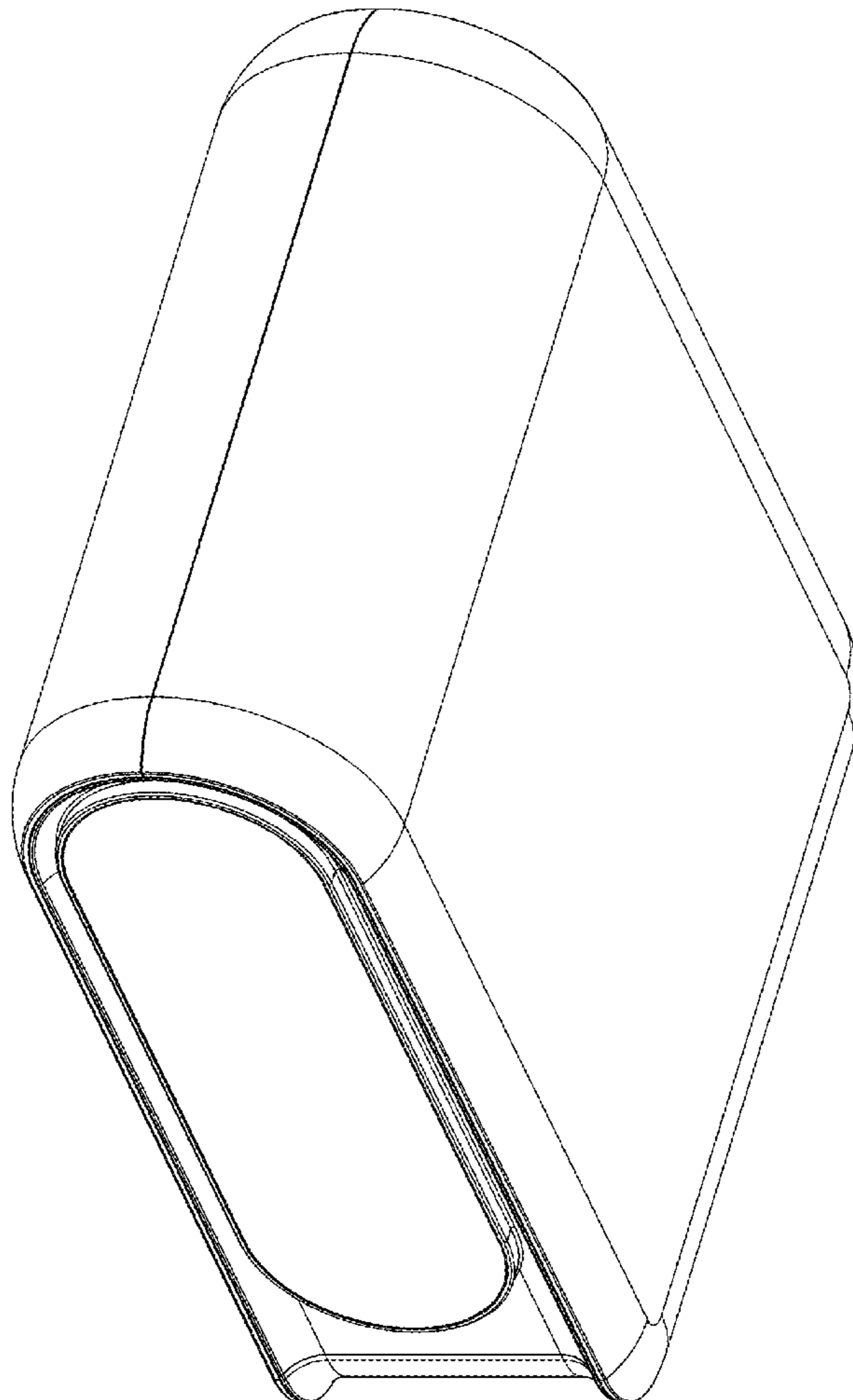
(57) **CLAIM**

The ornamental design for a water purifier, as shown and described.

DESCRIPTION

FIG. 1 is a front view of a water purifier of my new design;
FIG. 2 is a rear view of the water purifier thereof;
FIG. 3 is a top view of the water purifier thereof;
FIG. 4 is a bottom view of the water purifier thereof;
FIG. 5 is a left view of the water purifier thereof;
FIG. 6 is a right view of the water purifier thereof; and,
FIG. 7 is a perspective view of the water purifier thereof.

1 Claim, 7 Drawing Sheets



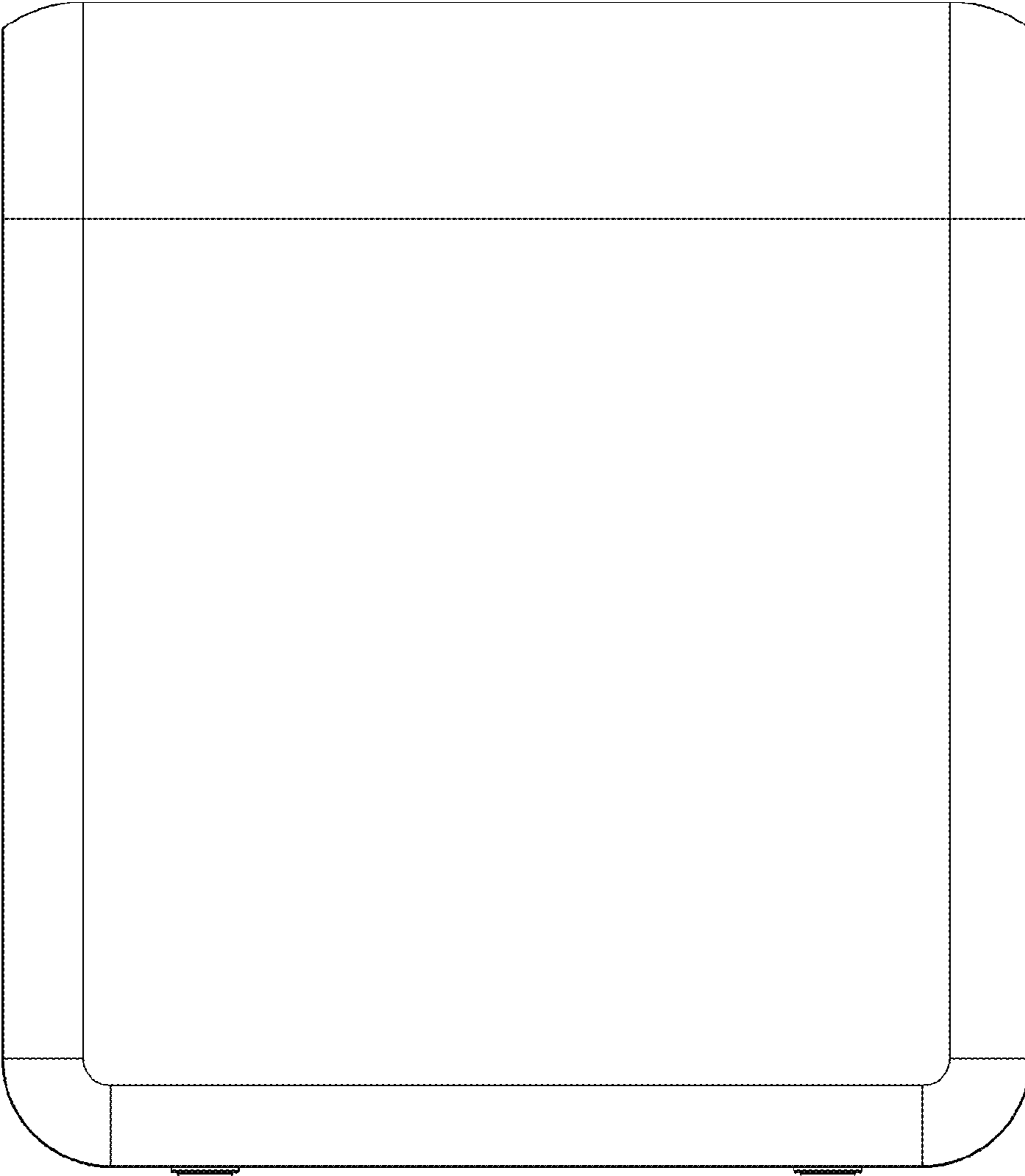


FIG. 1

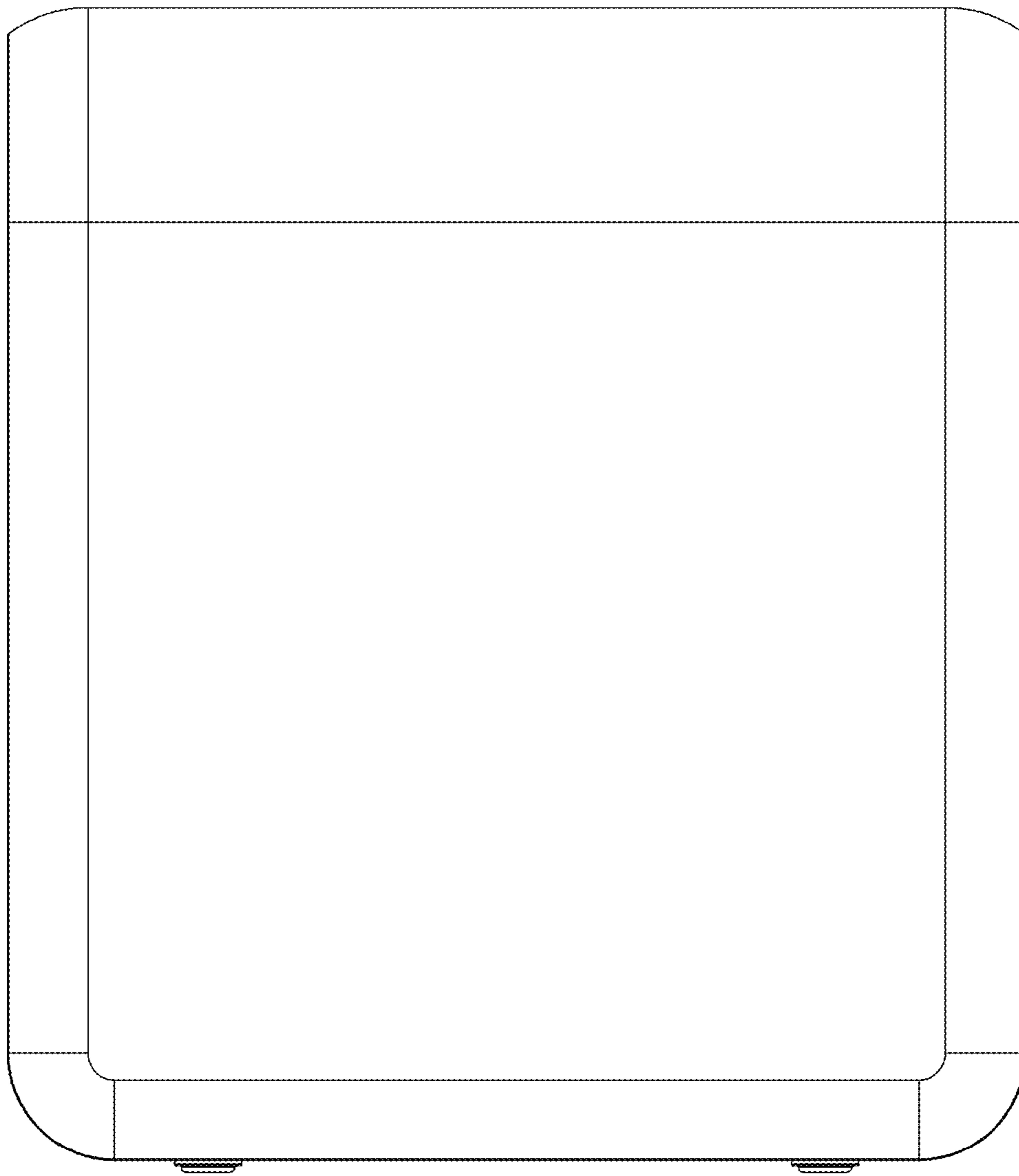


FIG. 2



FIG. 3

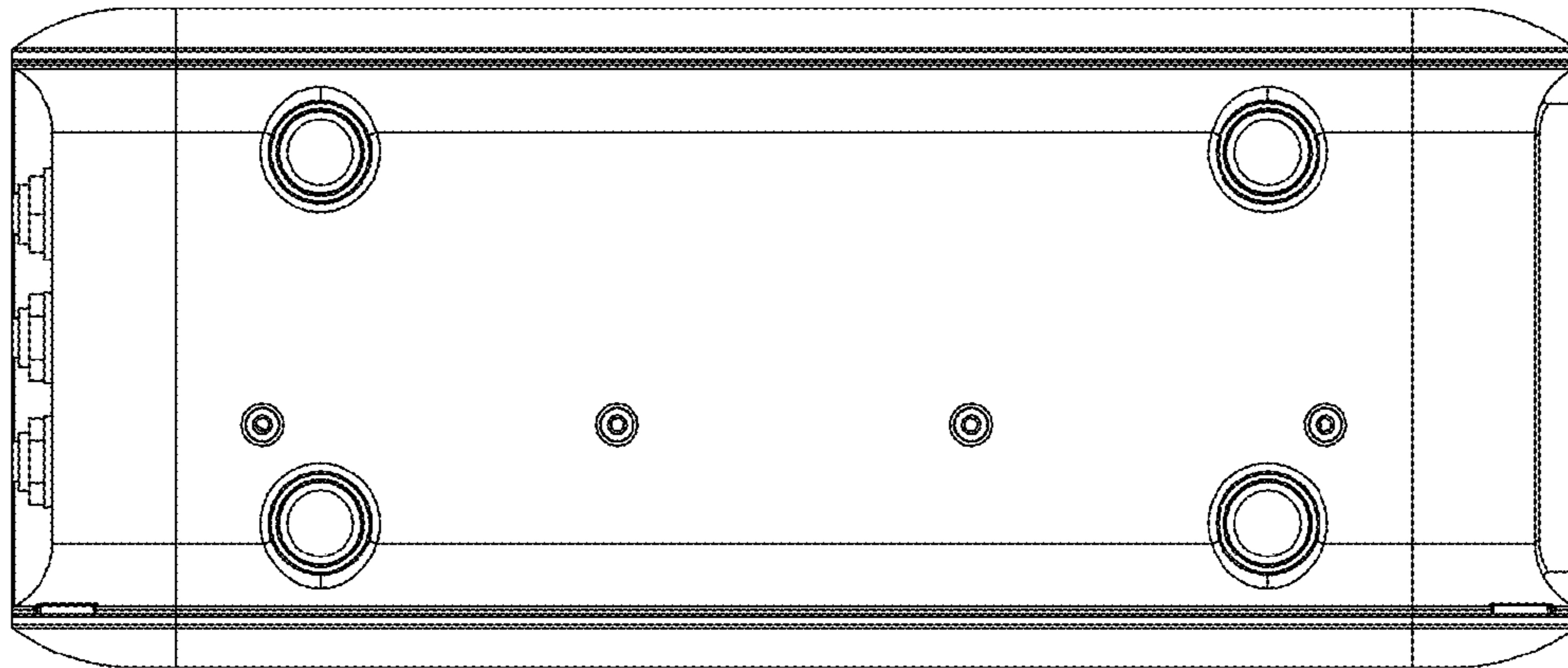


FIG. 4

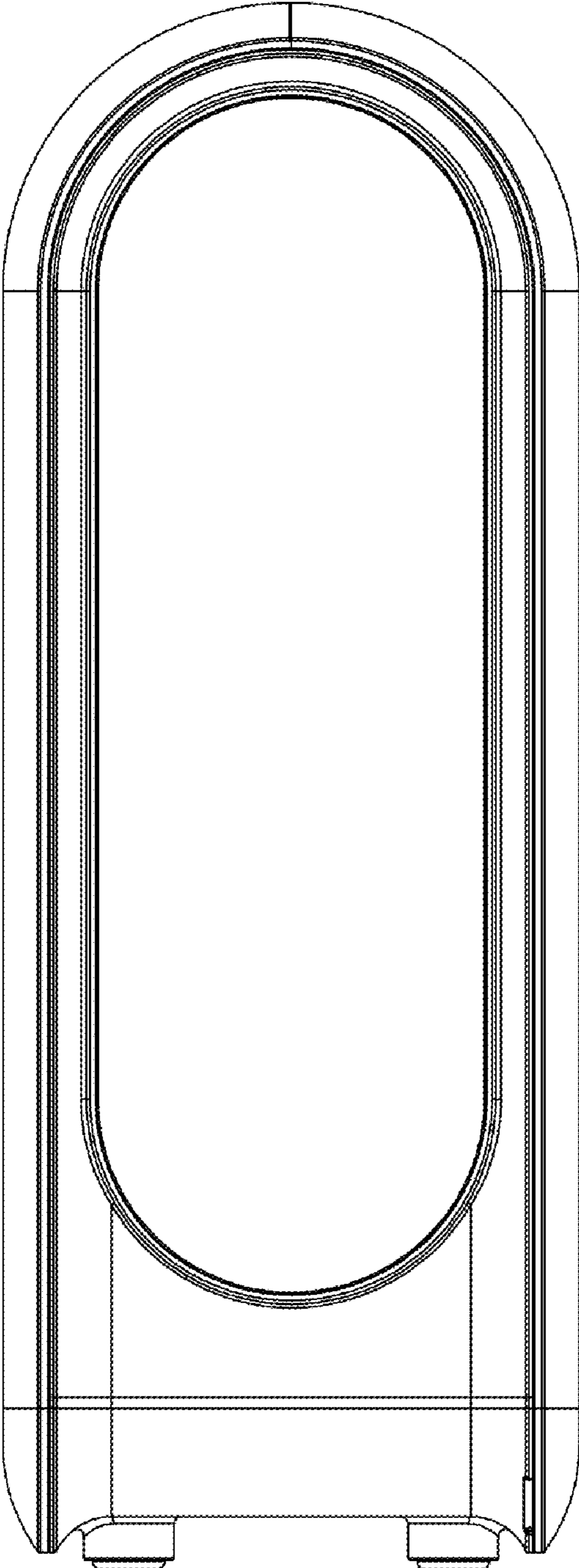


FIG. 5

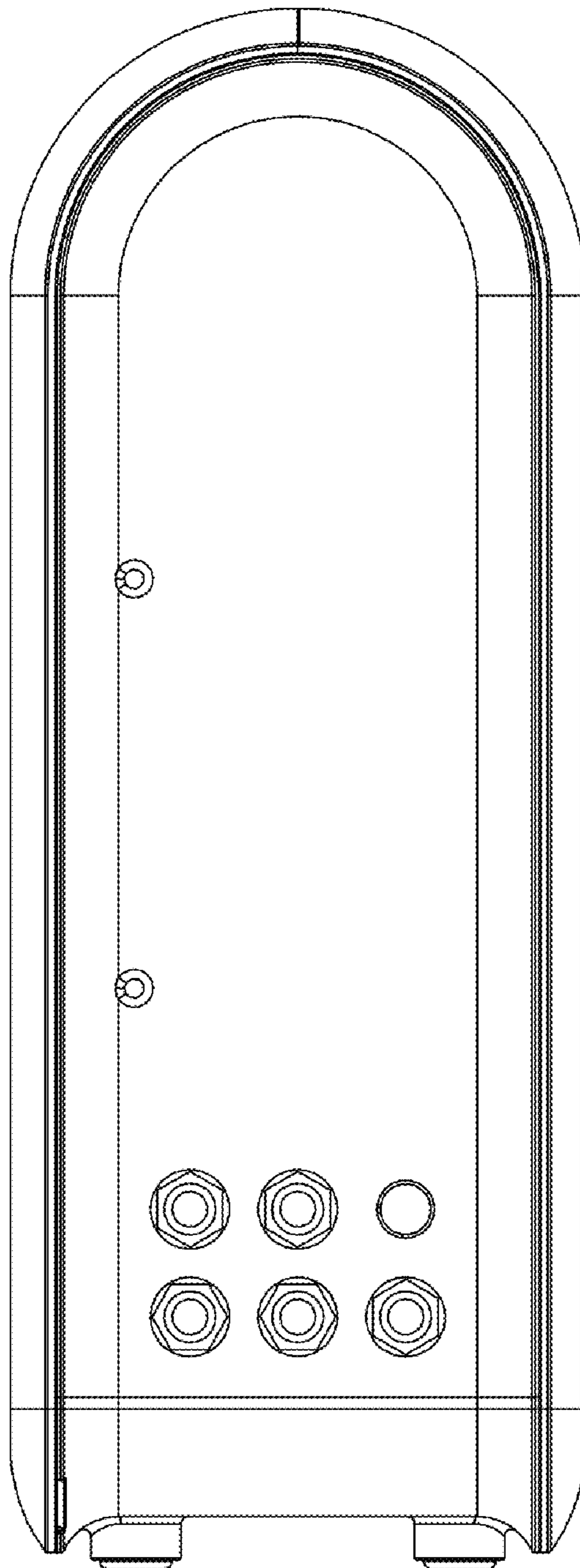


FIG. 6

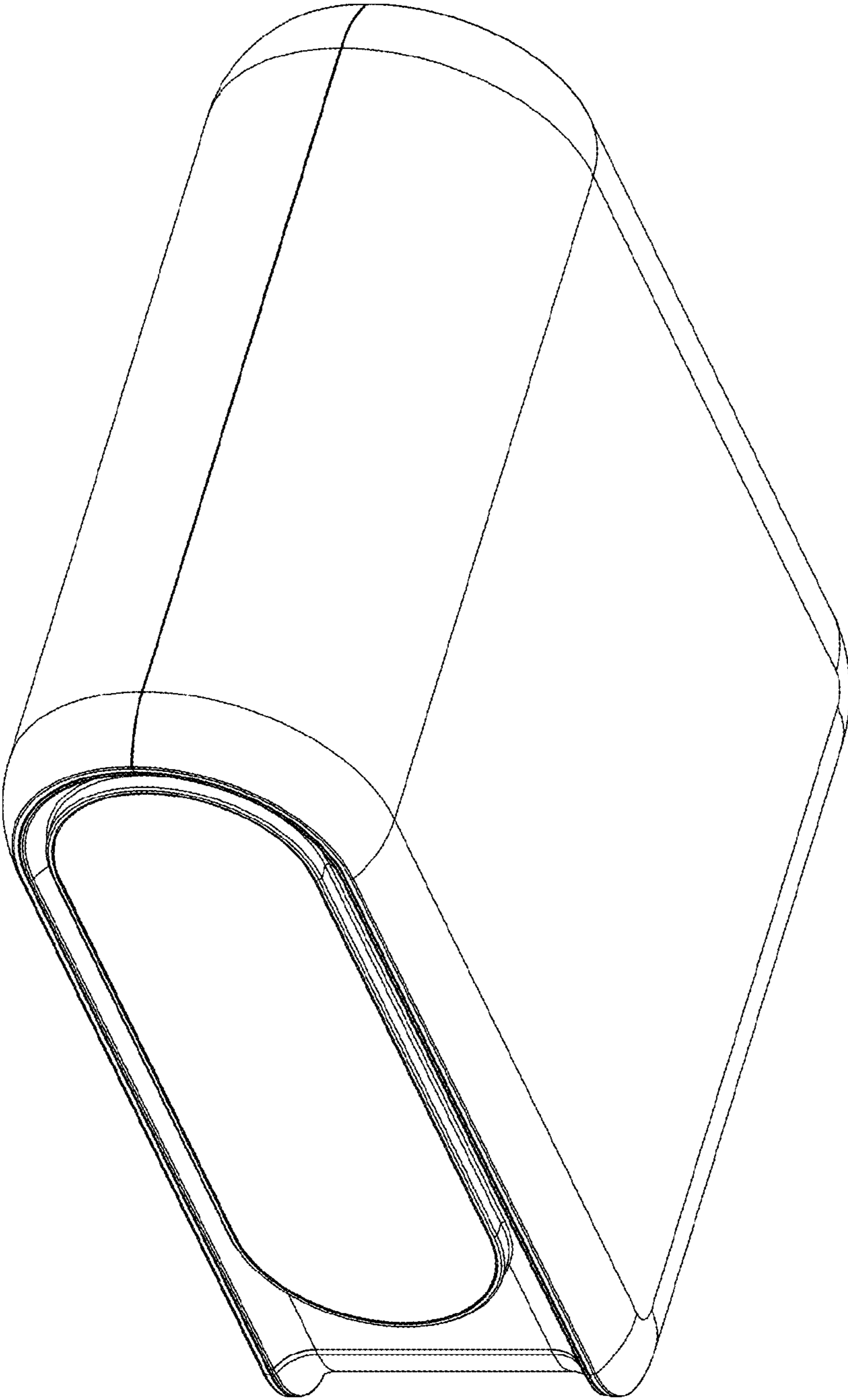


FIG. 7