



US00D678978S

(12) **United States Design Patent**
Worrell, Jr.

(10) **Patent No.:** **US D678,978 S**
(45) **Date of Patent:** **** Mar. 26, 2013**

(54) **CABINET FOR A WATER PURIFICATION SYSTEM**

(75) Inventor: **Thomas Eugene Worrell, Jr.**, Delray Beach, FL (US)

(73) Assignee: **Dharma IP, LLC**, Charlottesville, VA (US)

(**) Term: **14 Years**

(21) Appl. No.: **29/418,789**

(22) Filed: **Apr. 20, 2012**

(51) **LOC (9) Cl.** **23-01**

(52) **U.S. Cl.** **D23/207**

(58) **Field of Classification Search** D23/207-209;
210/241, 435, 140, 190; D6/432, 428
See application file for complete search history.

(56) **References Cited**

U.S. PATENT DOCUMENTS

D213,440 S *	3/1969	Wildgen	D23/207
D224,654 S *	8/1972	Campbell	D23/207
D614,727 S *	4/2010	Therkelsen et al.	D23/207

* cited by examiner

Primary Examiner — Robin V Webster

(74) *Attorney, Agent, or Firm* — Michael Haynes PLC;
Michael N. Haynes

(57) **CLAIM**

The ornamental design for a cabinet for a water purification system, as shown and described.

DESCRIPTION

FIG. 1 is a top, front, right side perspective view of a cabinet for a water purification system showing our new design;

FIG. 2 is a front view thereof;

FIG. 3 is a left side view thereof, the right side view being a mirror image; and

FIG. 4 is a top view thereof, the bottom view being a mirror image;

FIG. 5 is a top, front, right side perspective view showing the doors of the cabinet in a partially opened position;

FIG. 6 is a front view showing the doors of the cabinet in a partially opened position;

FIG. 7 is a top, front, left side perspective view of a portion of the right side door;

FIG. 8 is a front view showing the doors of the cabinet in a partially opened position;

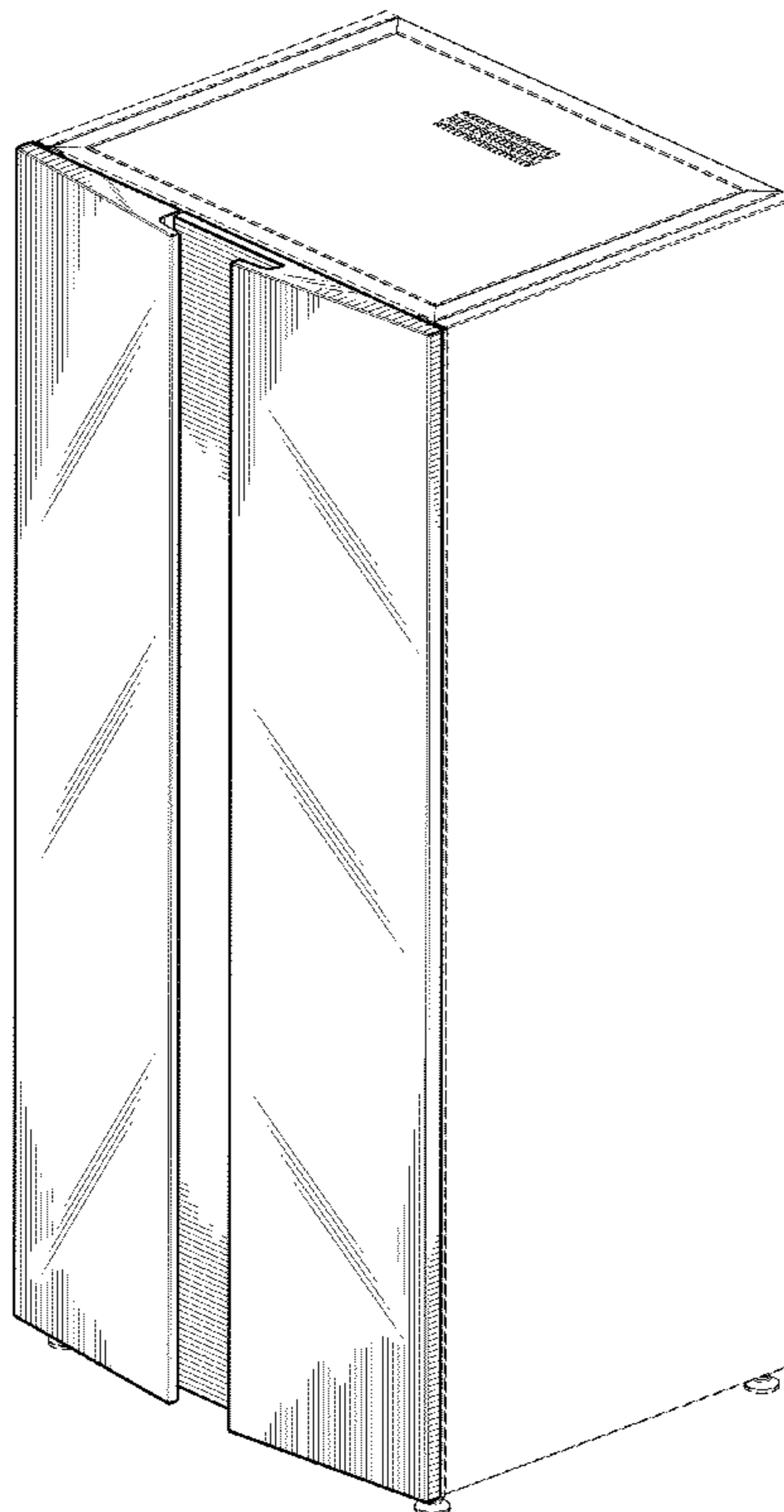
FIG. 9 is a top, front, left side perspective view showing the doors of the cabinet in a partially opened position; and,

FIG. 10 is a top, front, left side perspective view of a portion of the left side door.

The shade lines in the figures represent reflective surface finish and not surface ornamentation.

The broken lines form no part of the claimed design.

1 Claim, 10 Drawing Sheets



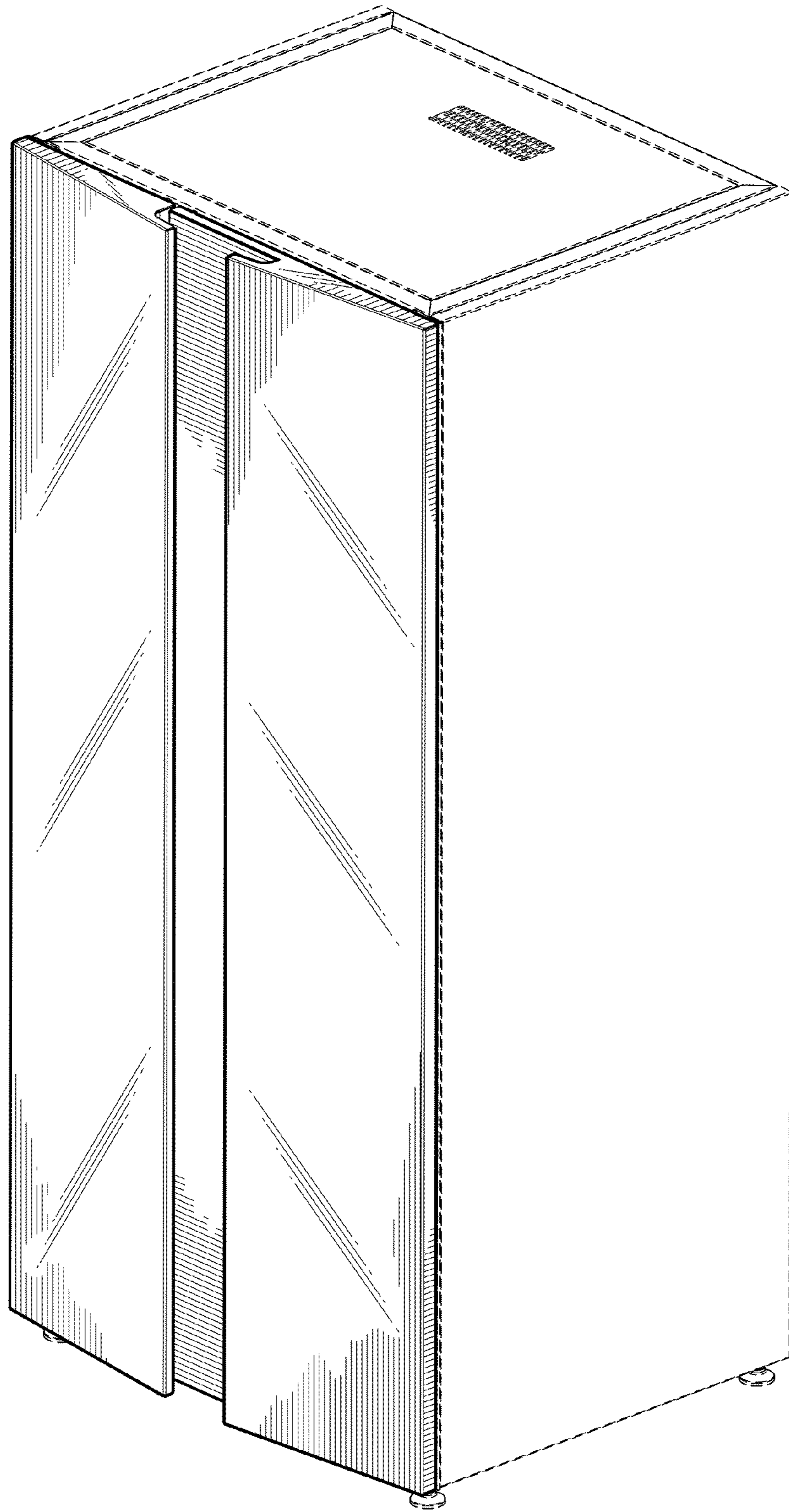


FIG. 1

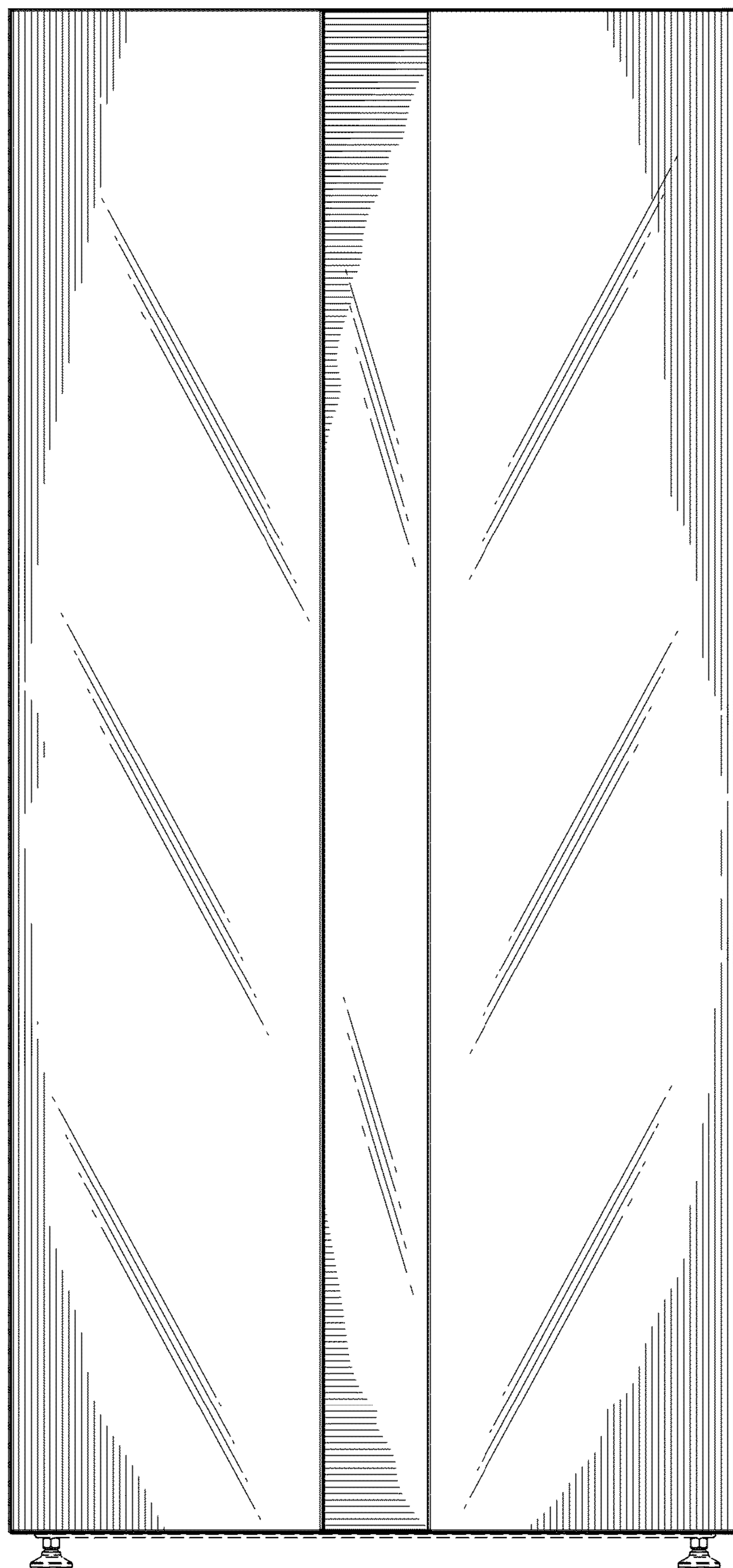


FIG. 2

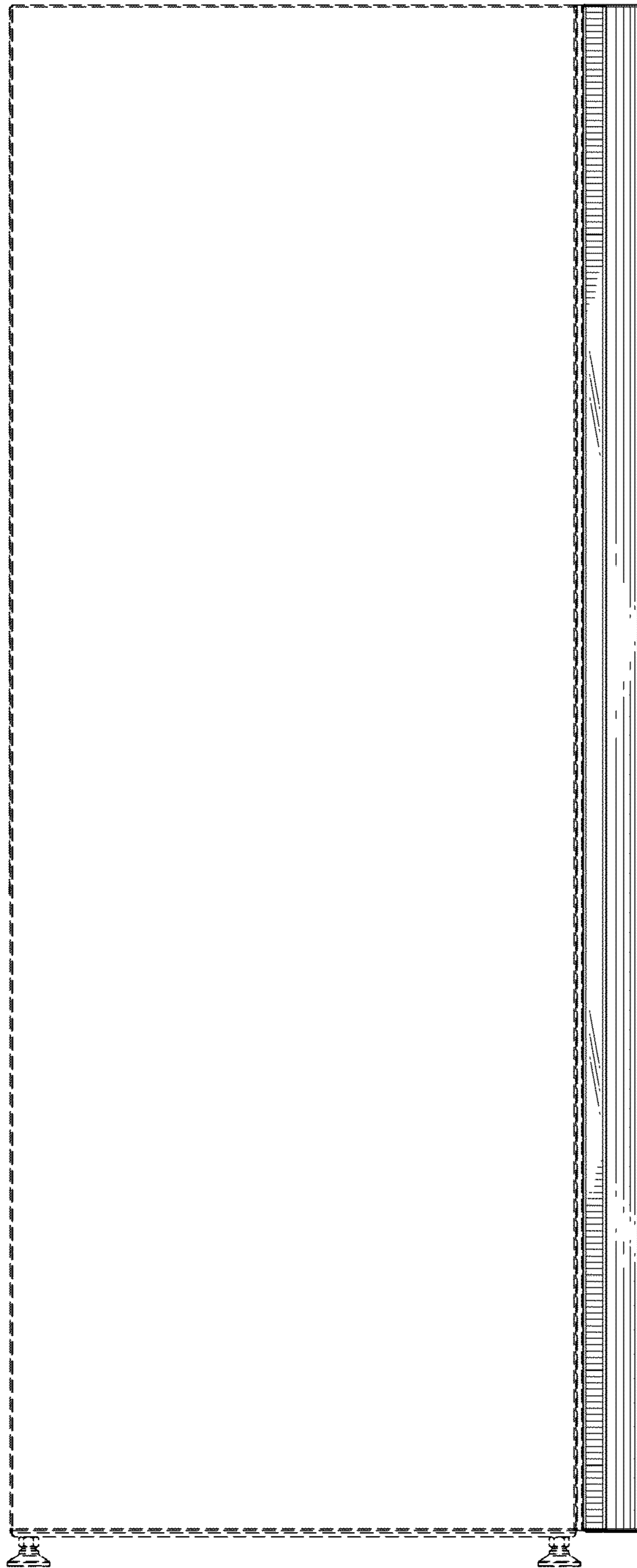


FIG. 3

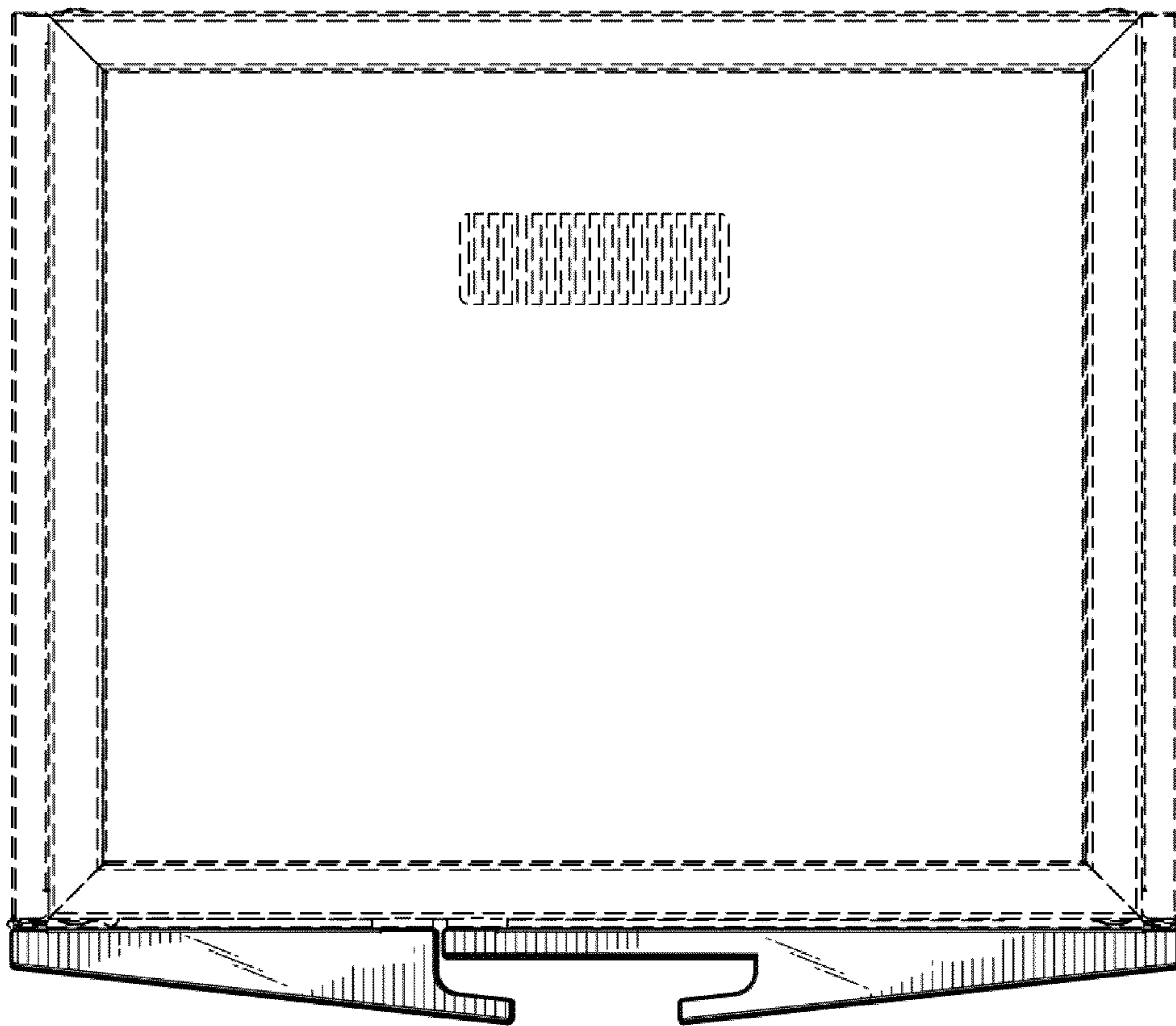


FIG. 4

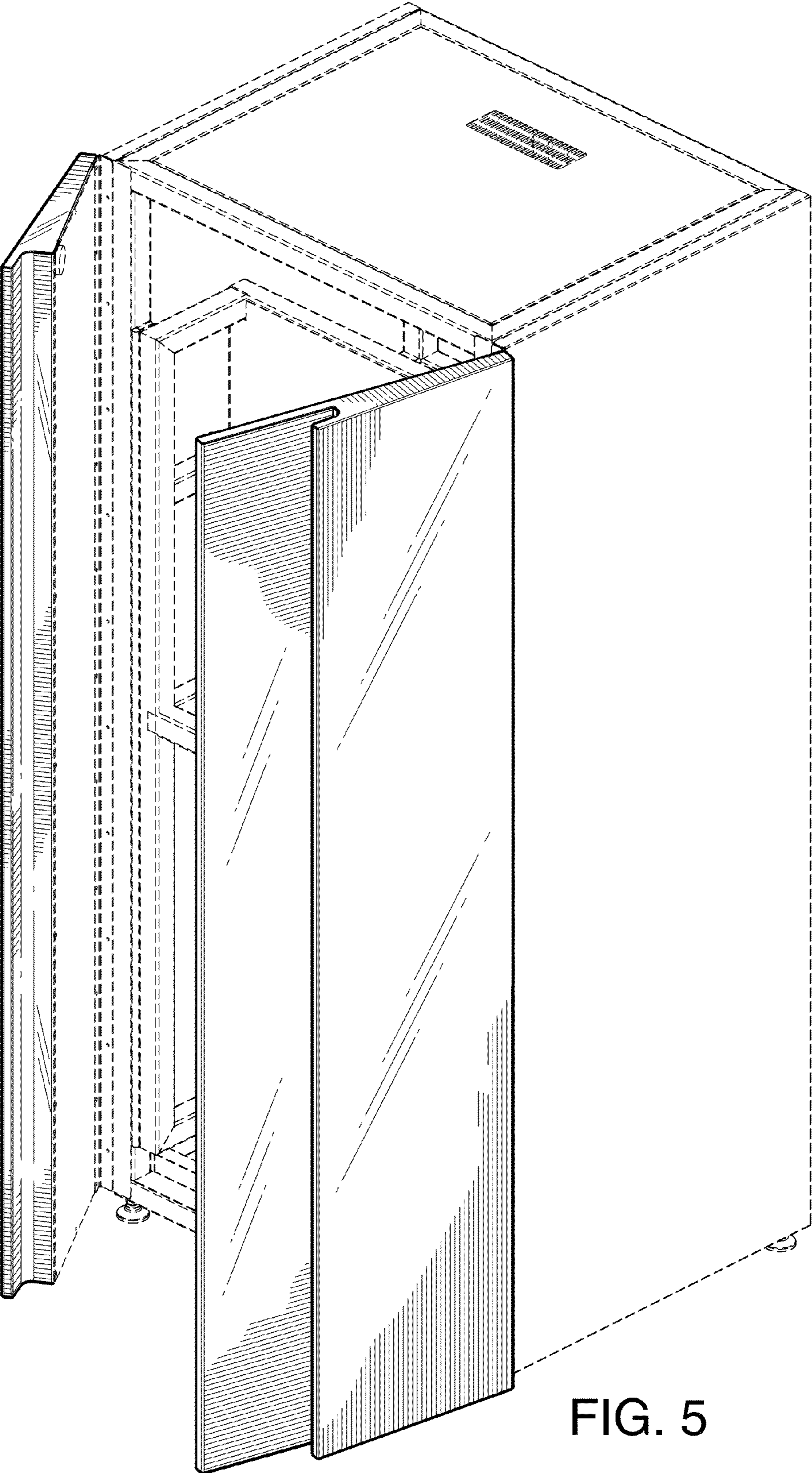


FIG. 5

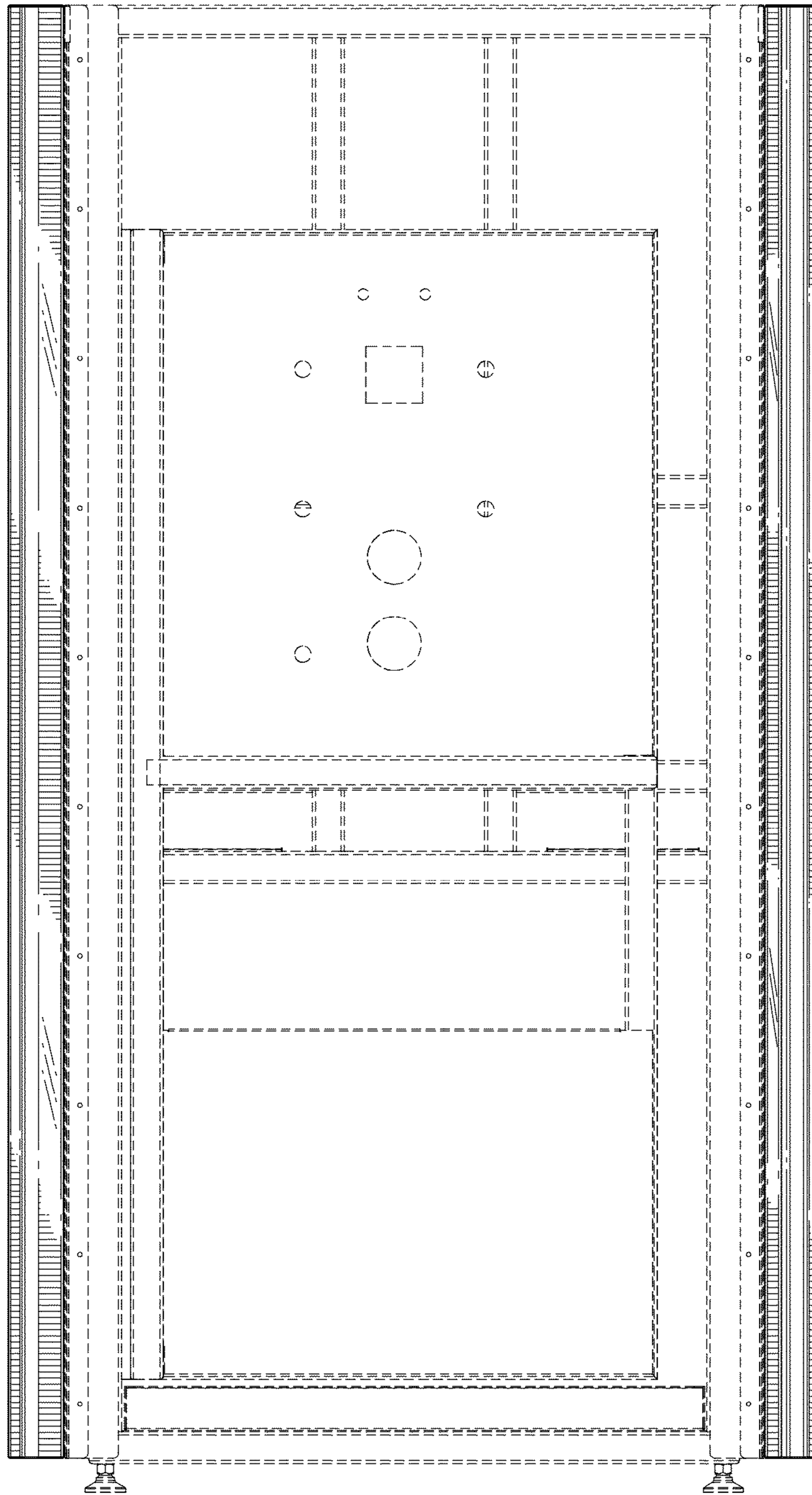


FIG. 6

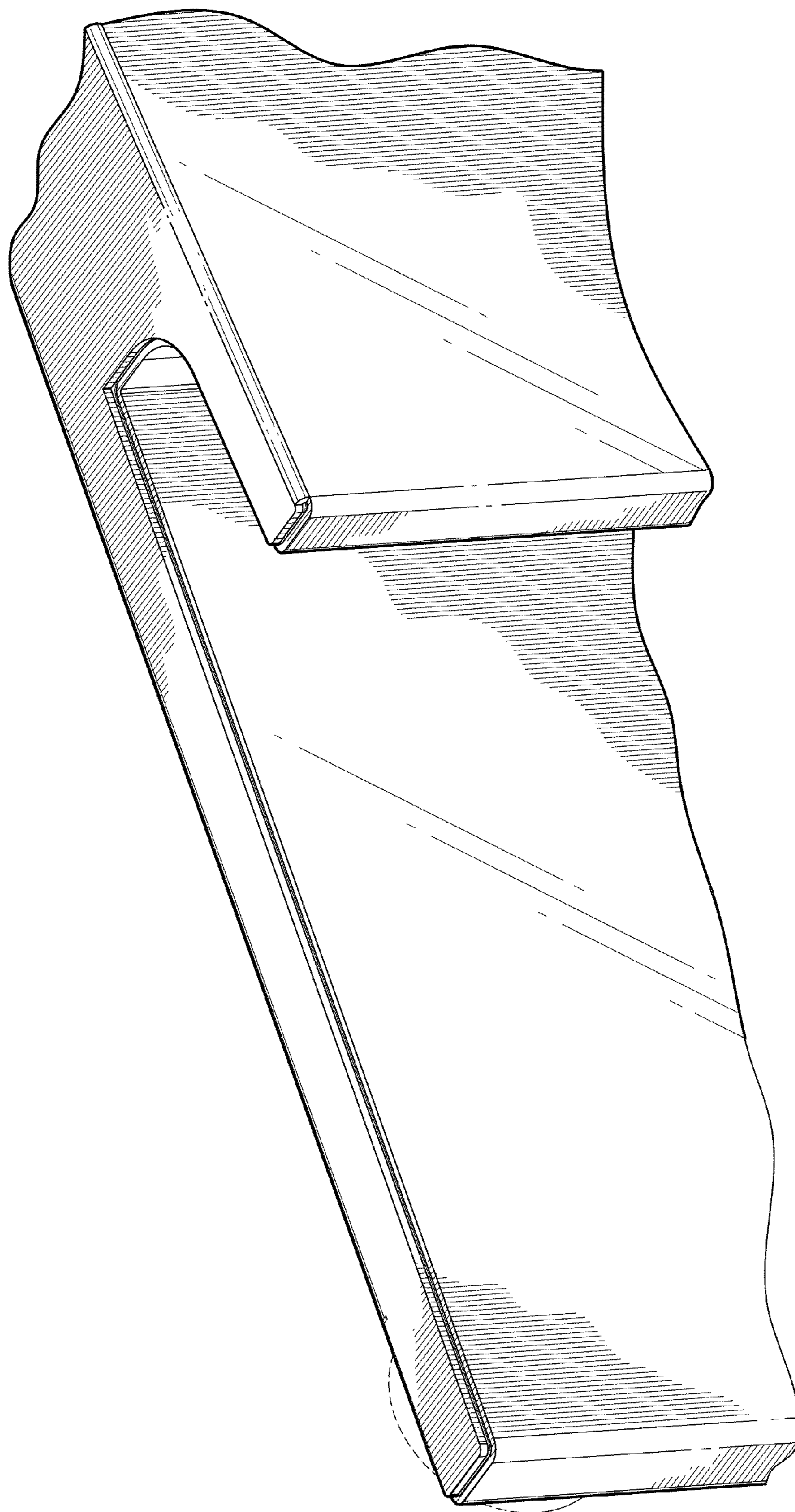


FIG. 7

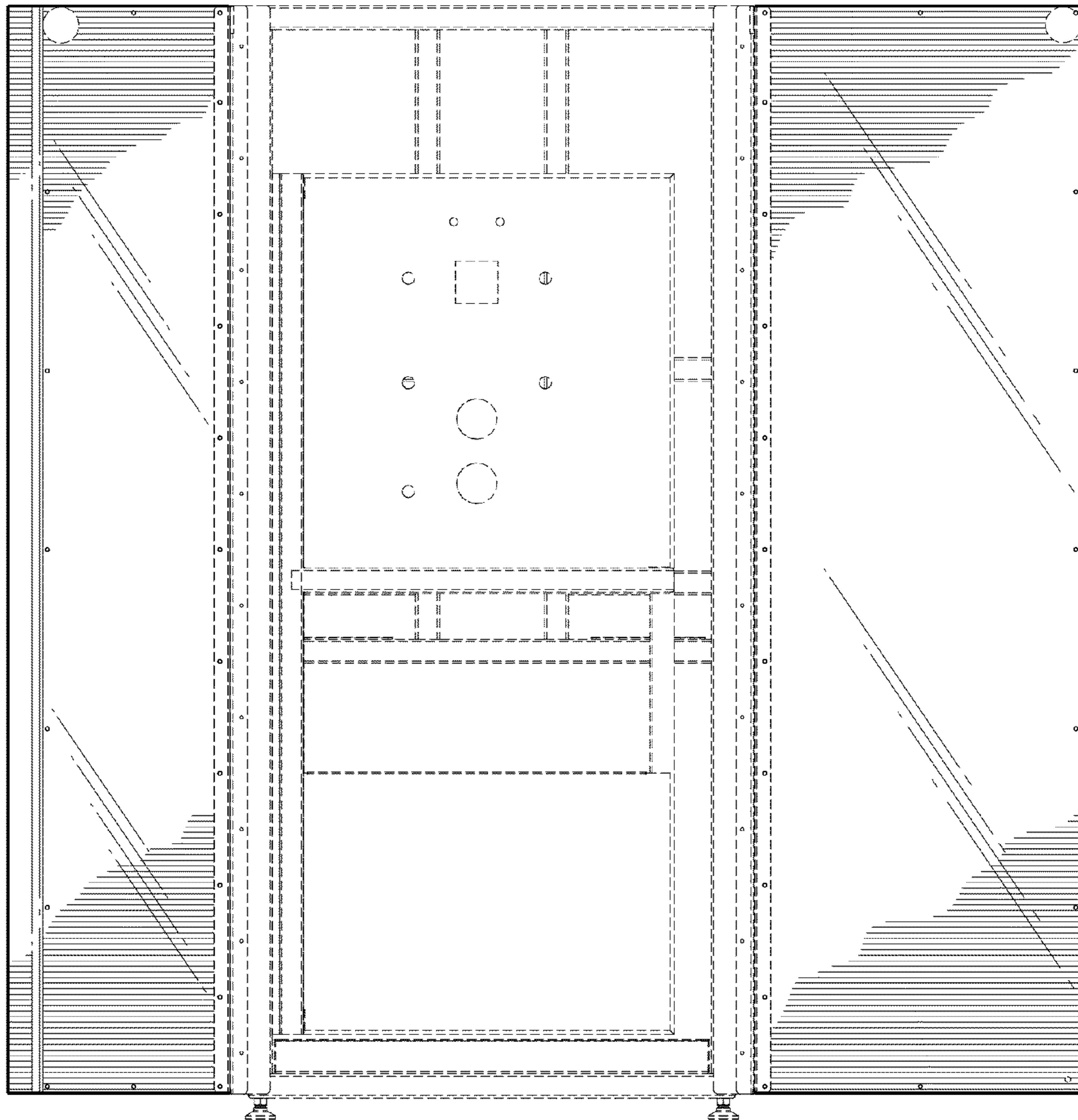


FIG. 8

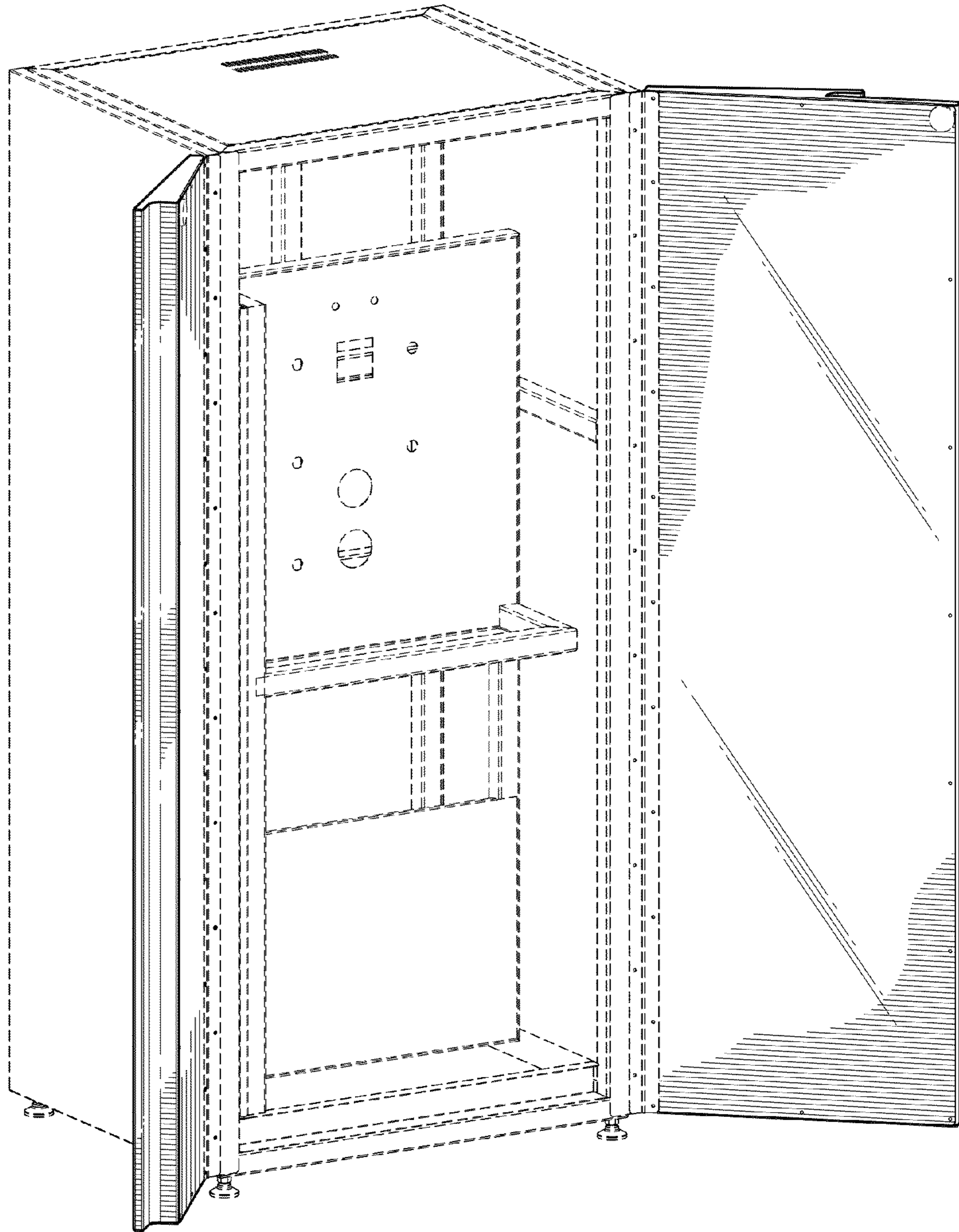


FIG. 9

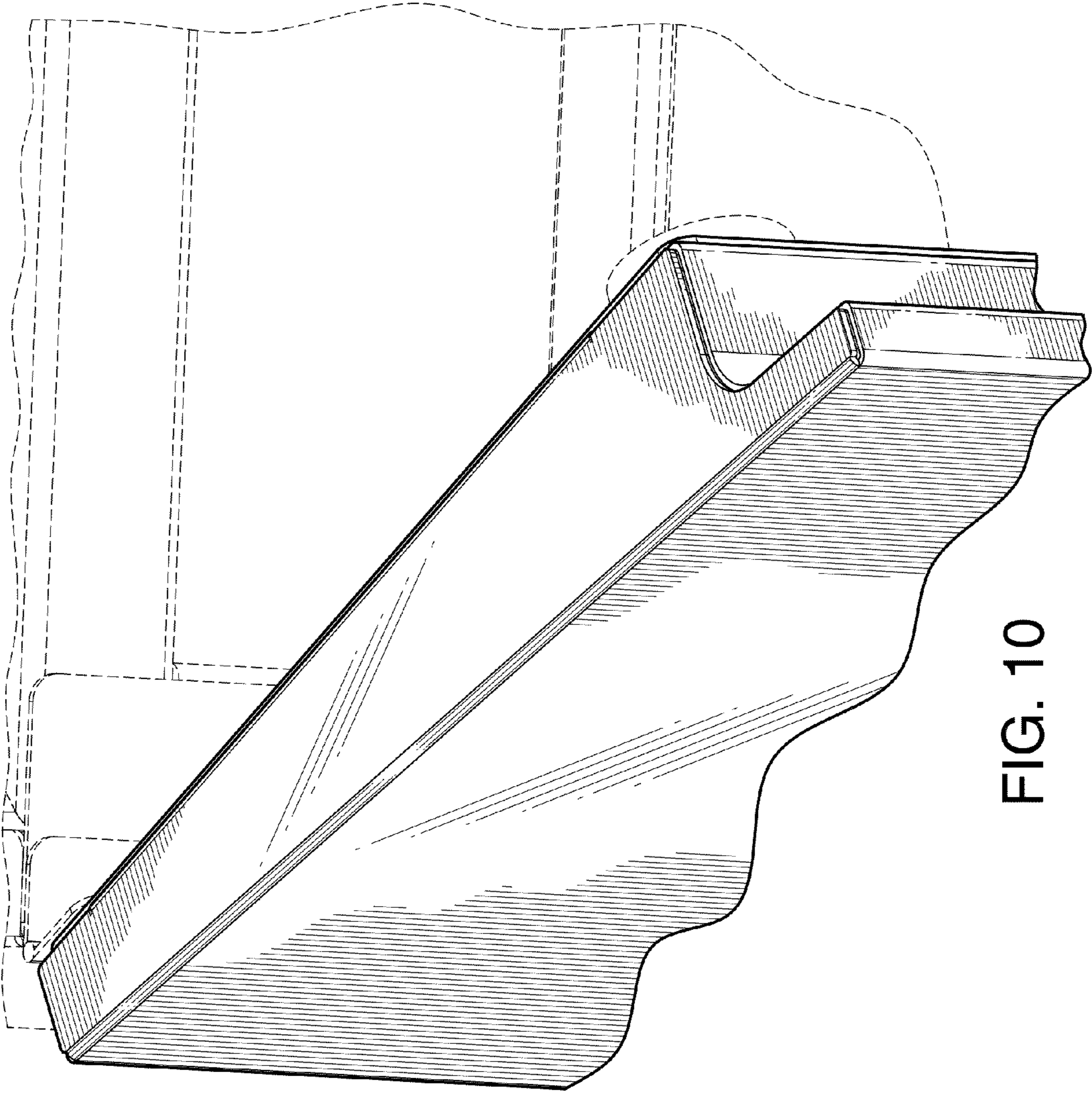


FIG. 10