



US00D678977S

(12) **United States Design Patent**
Huang

(10) **Patent No.:** **US D678,977 S**

(45) **Date of Patent:** **** Mar. 26, 2013**

(54) **SNAP TRAP STATION**

(76) Inventor: **Chang-Hsiu Huang**, Changhua (TW)

(**) Term: **14 Years**

(21) Appl. No.: **29/428,533**

(22) Filed: **Jul. 31, 2012**

(51) **LOC (9) Cl.** **22-06**

(52) **U.S. Cl.** **D22/119**

(58) **Field of Classification Search** D22/119-124;
43/58, 60-61, 68, 76, 81, 112-114, 124,
43/131, 132.1

See application file for complete search history.

(56) **References Cited**

U.S. PATENT DOCUMENTS

D485,597 S *	1/2004	Turner	D22/119
D577,412 S *	9/2008	Nathan et al.	D22/119
D617,864 S *	6/2010	Cink et al.	D22/119
8,291,637 B2 *	10/2012	Patterson et al.	43/81

* cited by examiner

Primary Examiner — Catheri Oliver-Garcia

(74) *Attorney, Agent, or Firm* — Che-Yang Chen; Law Office of Michael Chen

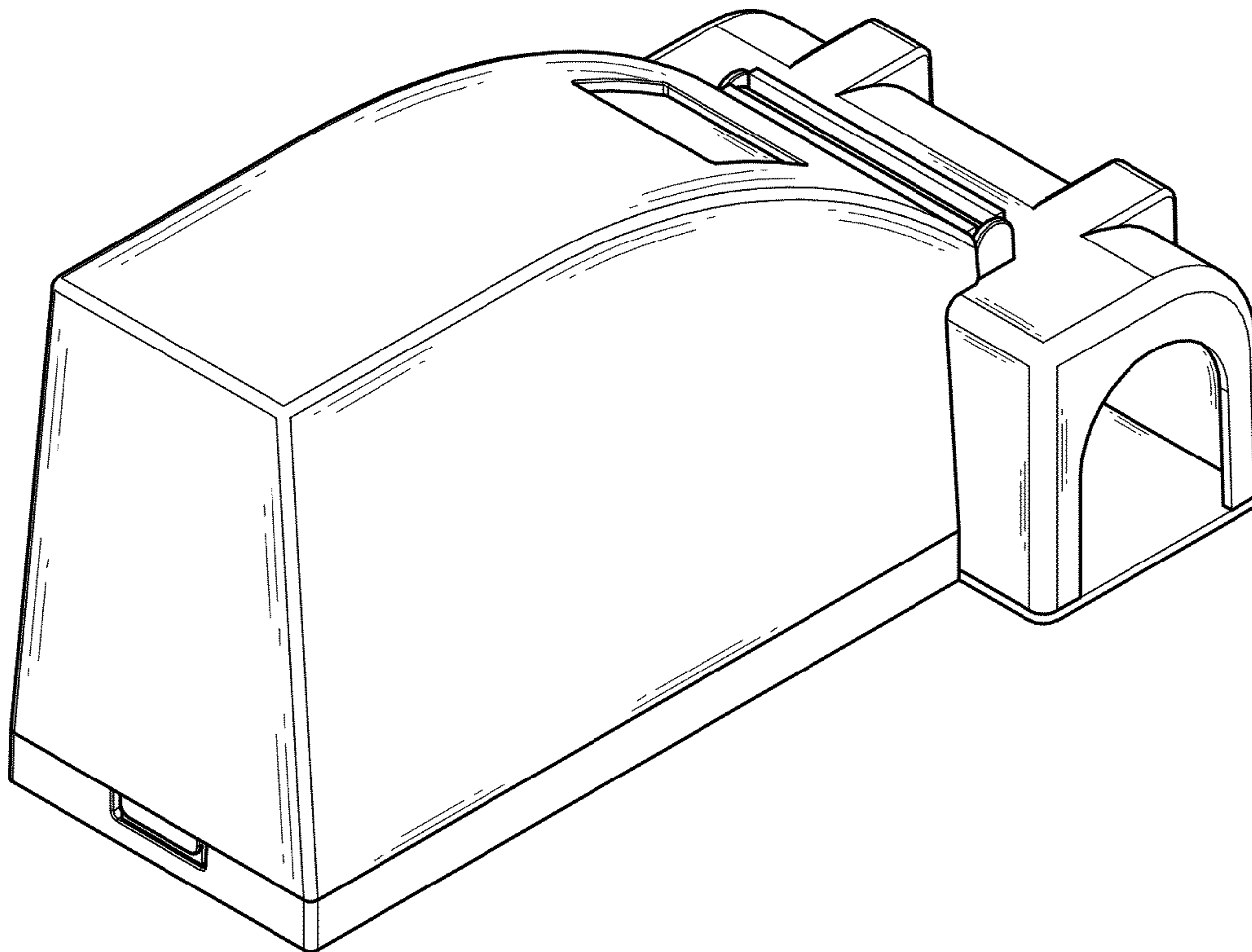
(57) **CLAIM**

The ornamental design for a snap trap station, as shown and described.

DESCRIPTION

FIG. 1 is a perspective view of a snap trap station showing my new design;
 FIG. 2 is a front elevational view thereof;
 FIG. 3 is a rear elevational view thereof;
 FIG. 4 is a left side elevational view thereof;
 FIG. 5 is a right side elevational view thereof;
 FIG. 6 is a top plan view thereof;
 FIG. 7 is a bottom plan view thereof; and,
 FIG. 8 is a perspective schematic view illustrating an application of a snap trap station showing my design.
 The broken lines in FIG. 8 are for illustrative purposes only and form no part of the claimed design.

1 Claim, 5 Drawing Sheets



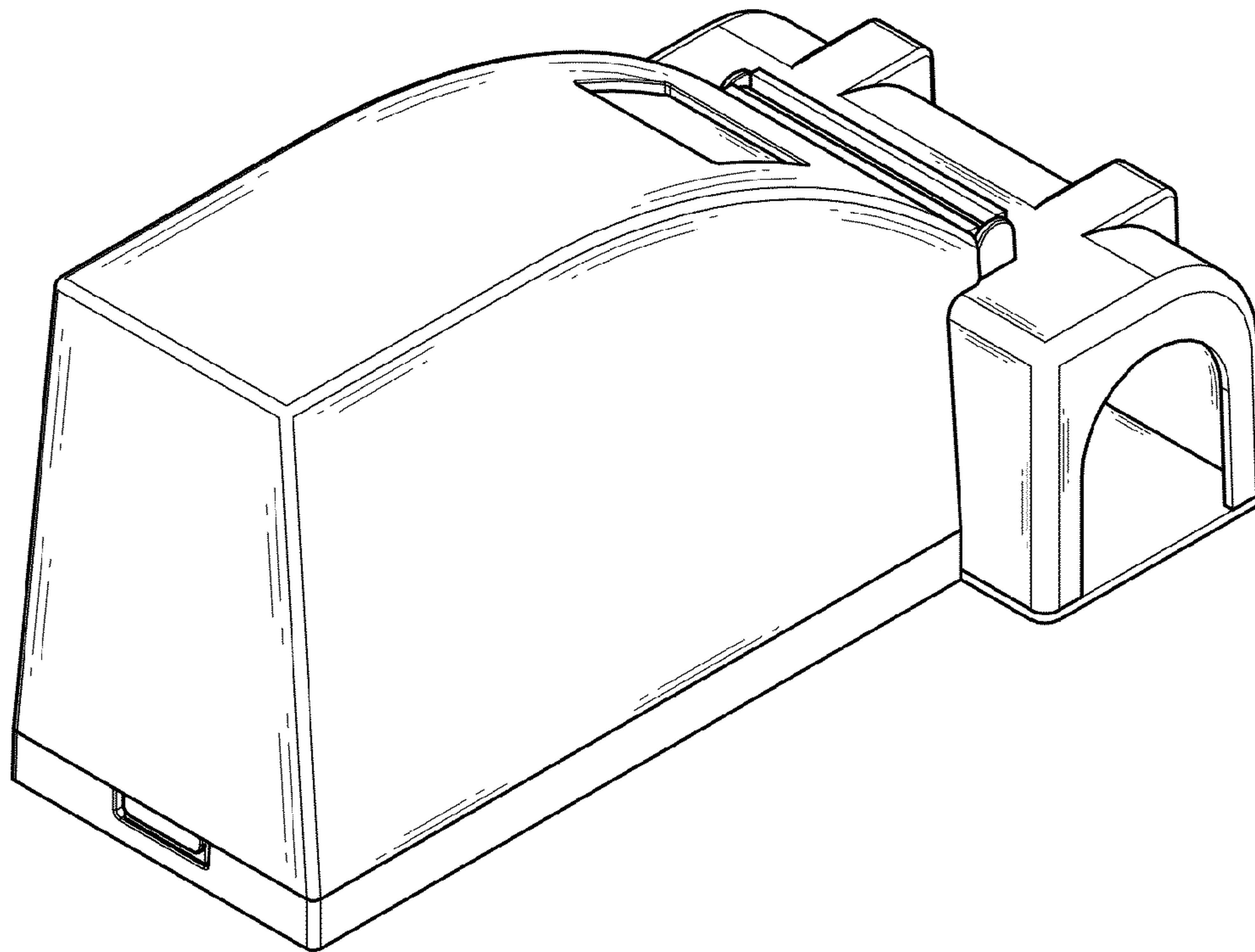


FIG. 1

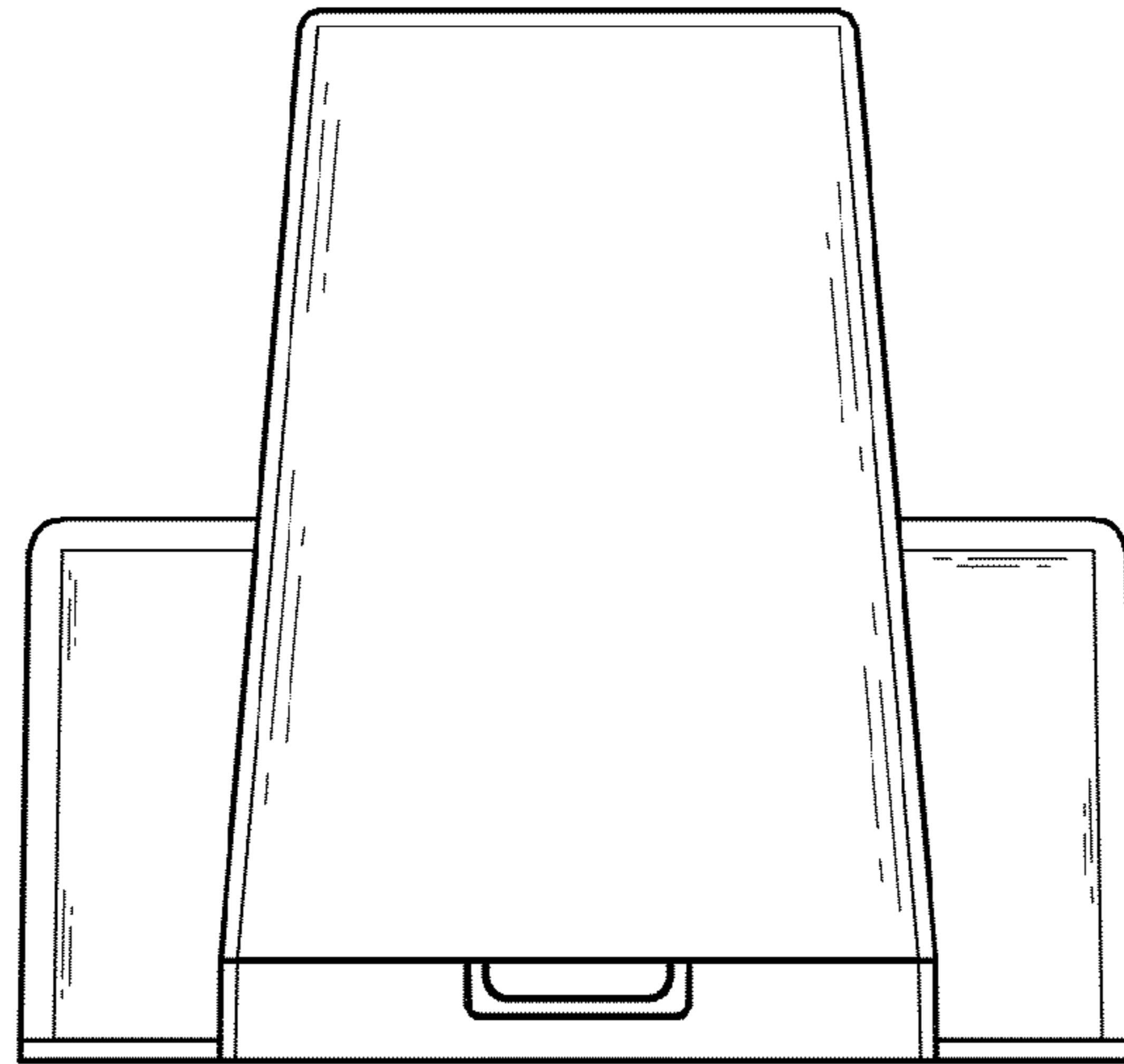


FIG. 2

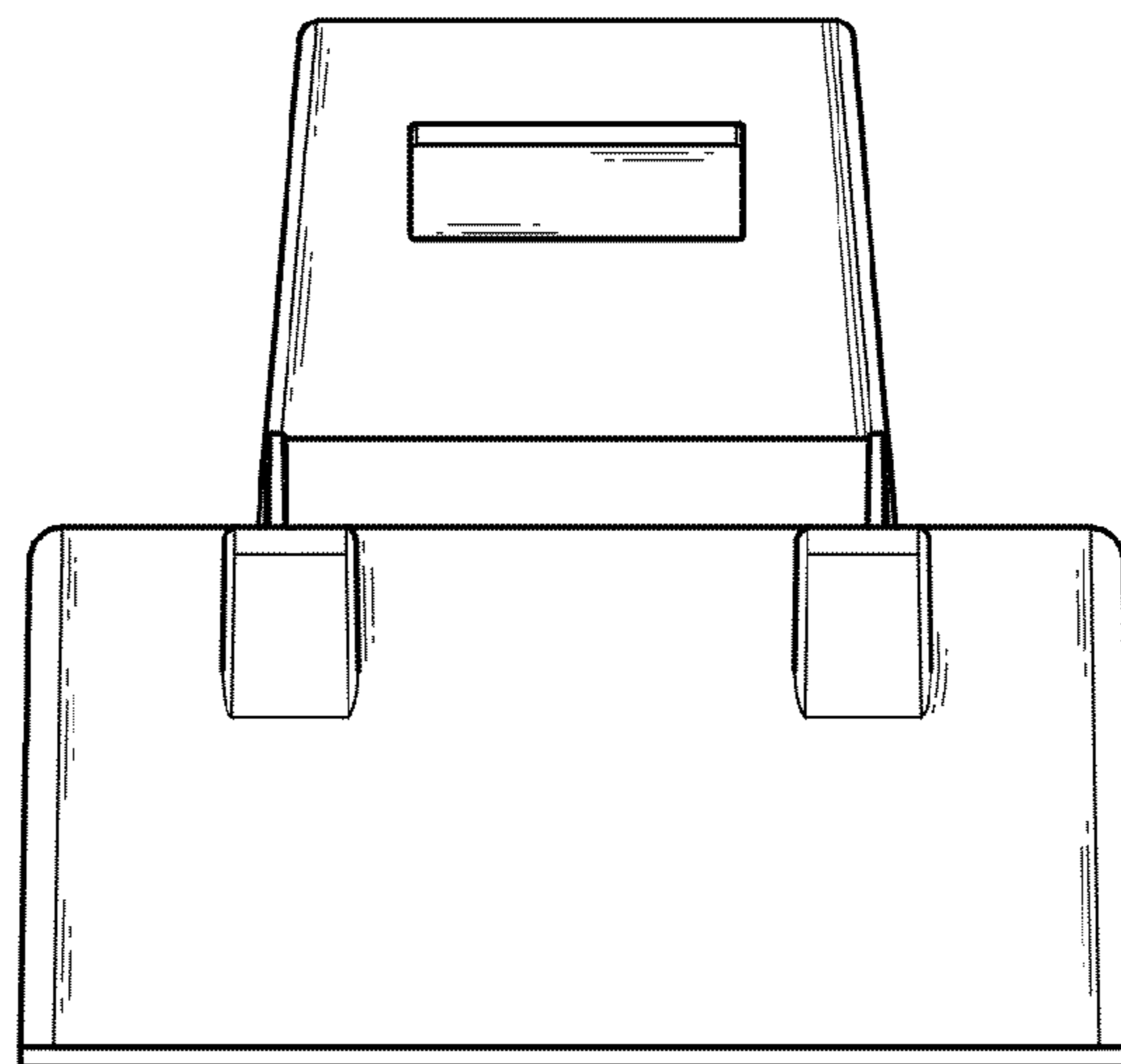


FIG. 3

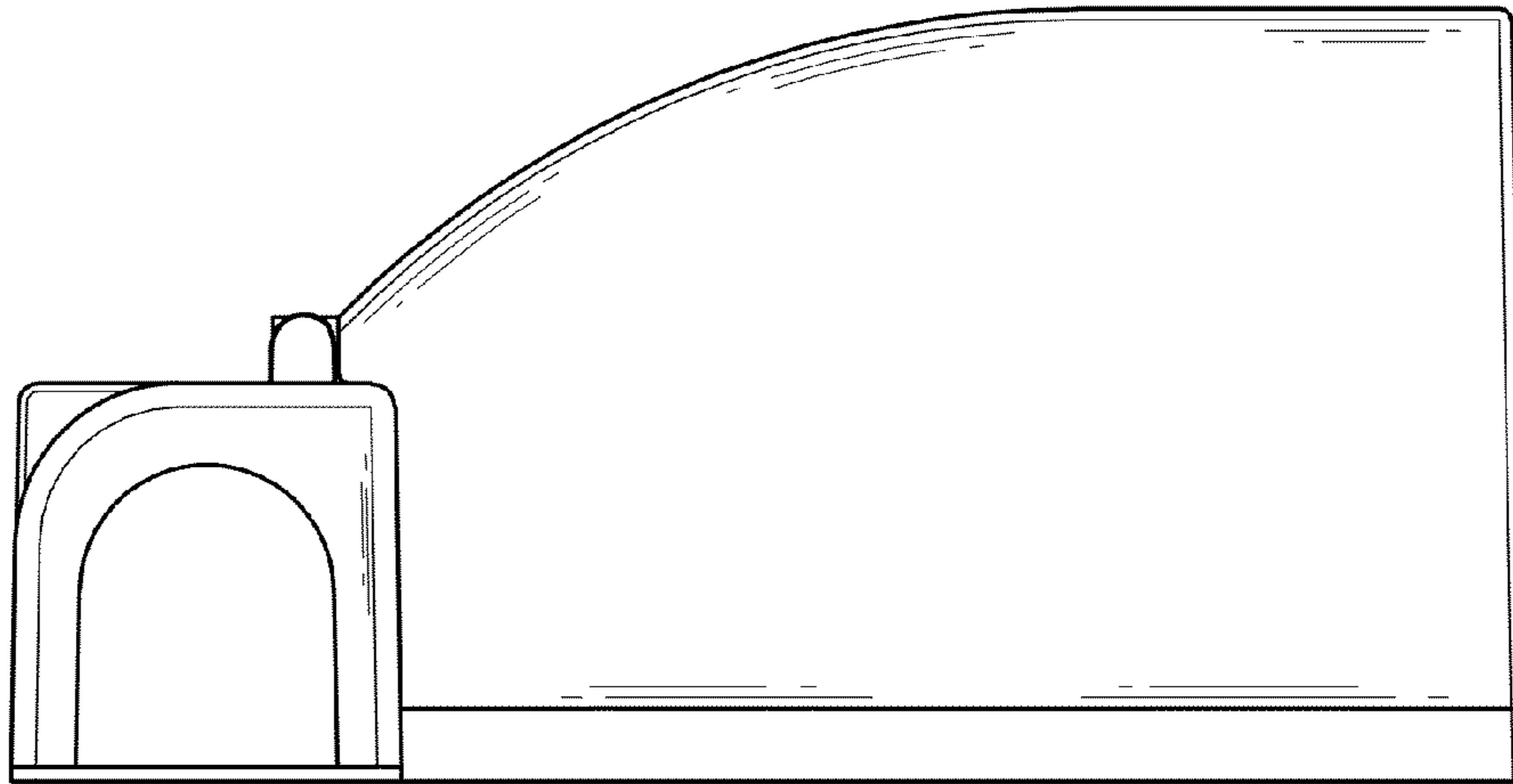


FIG. 4

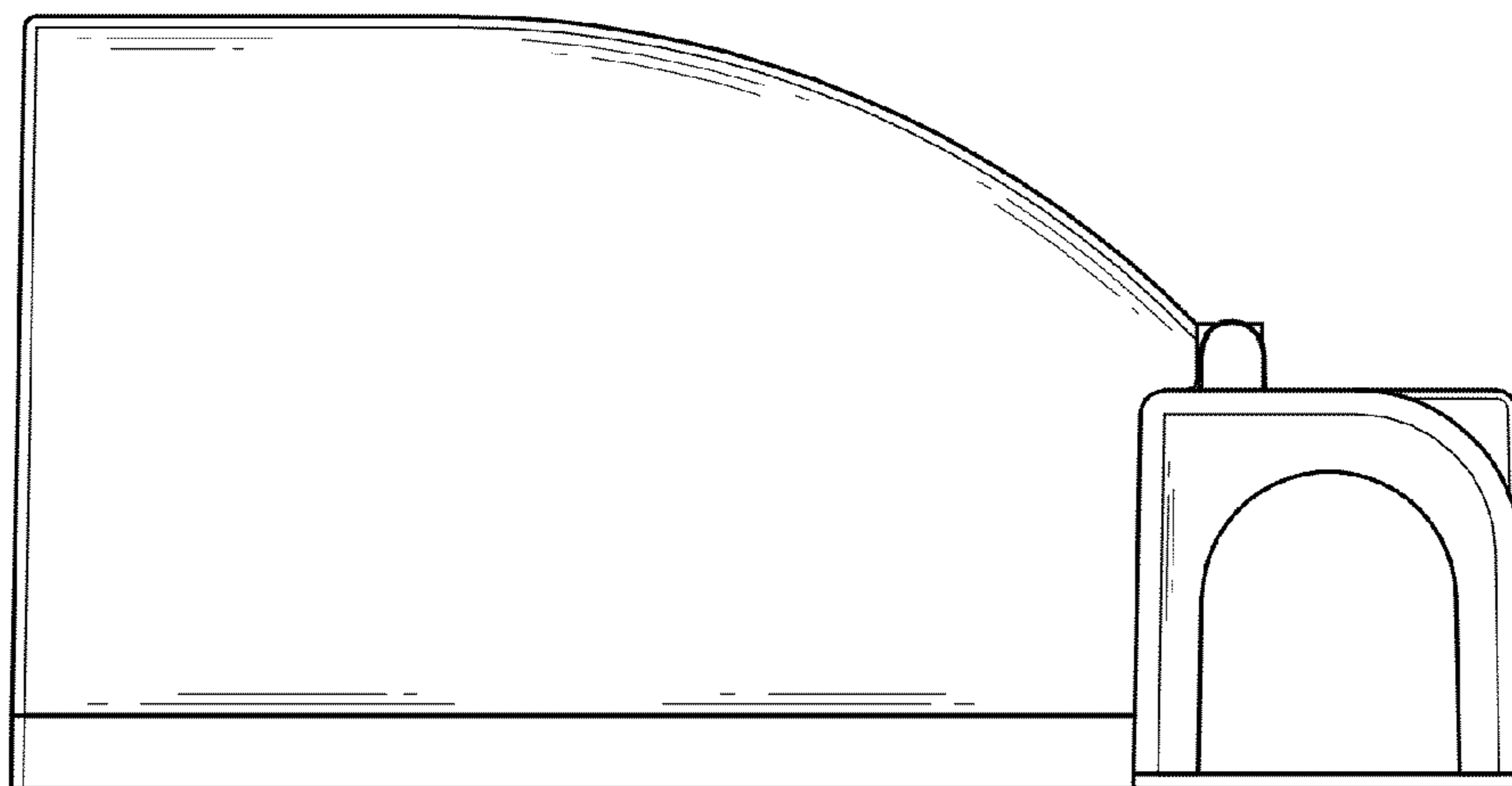


FIG. 5

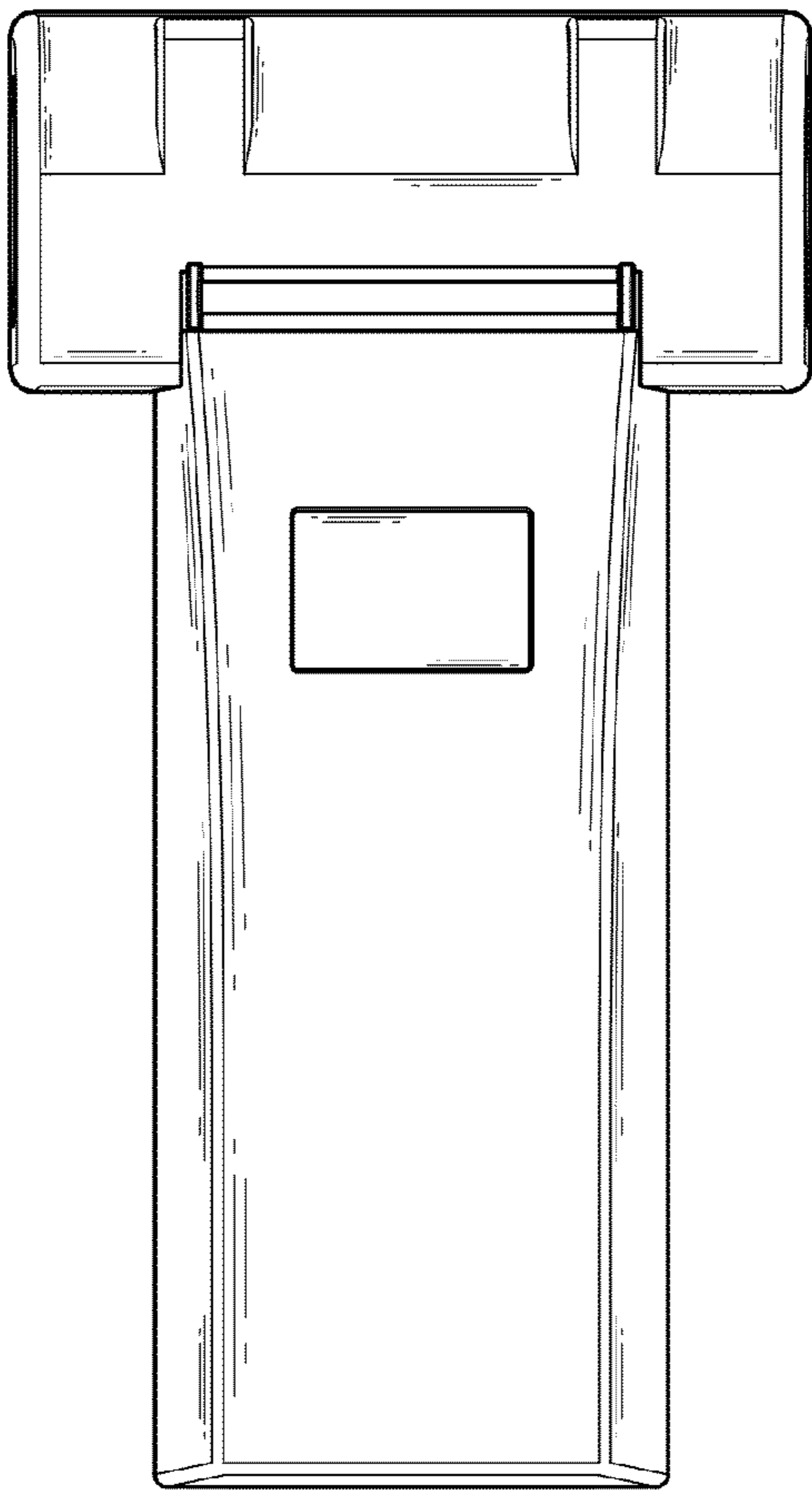


FIG. 6

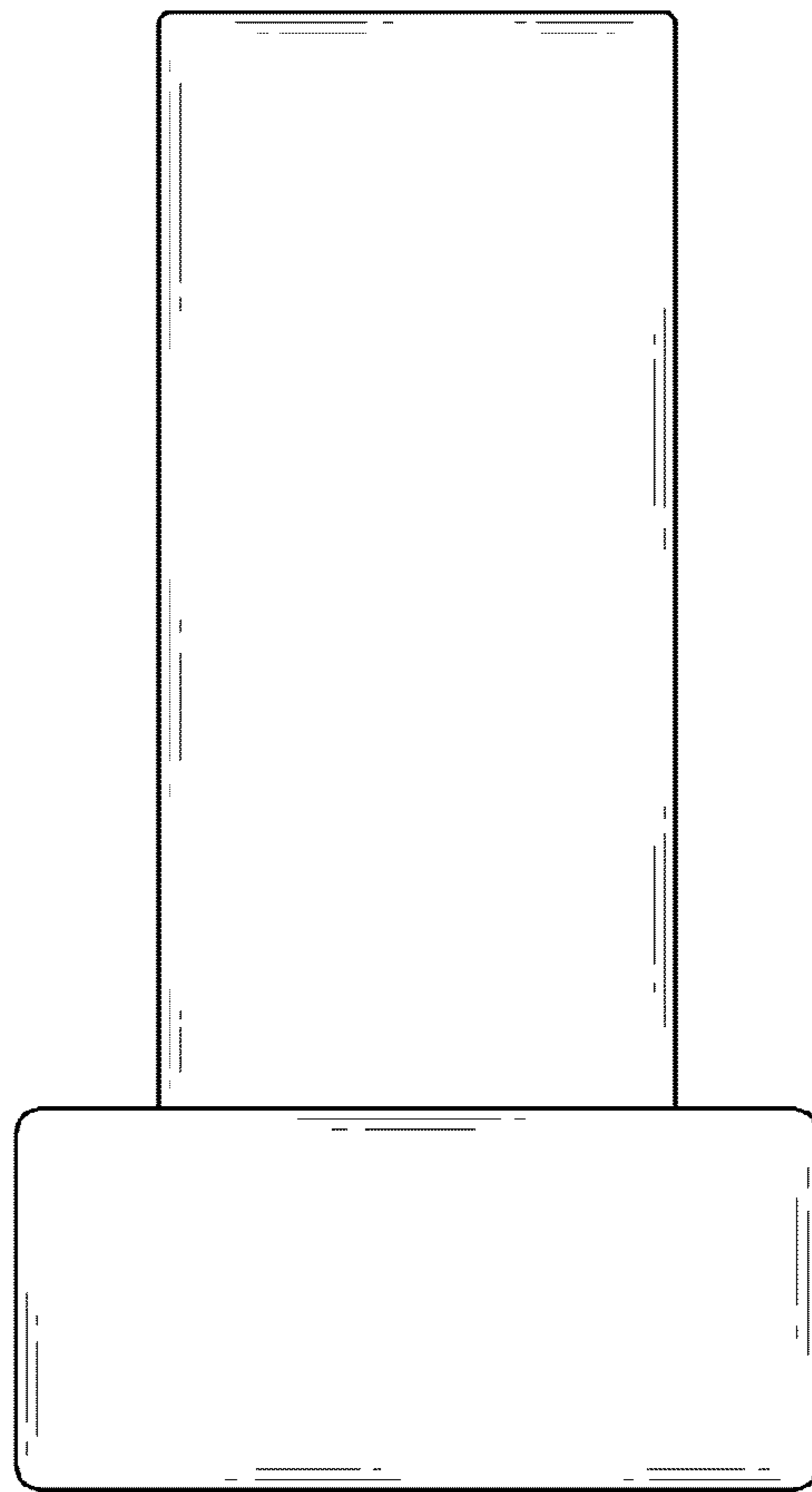


FIG. 7

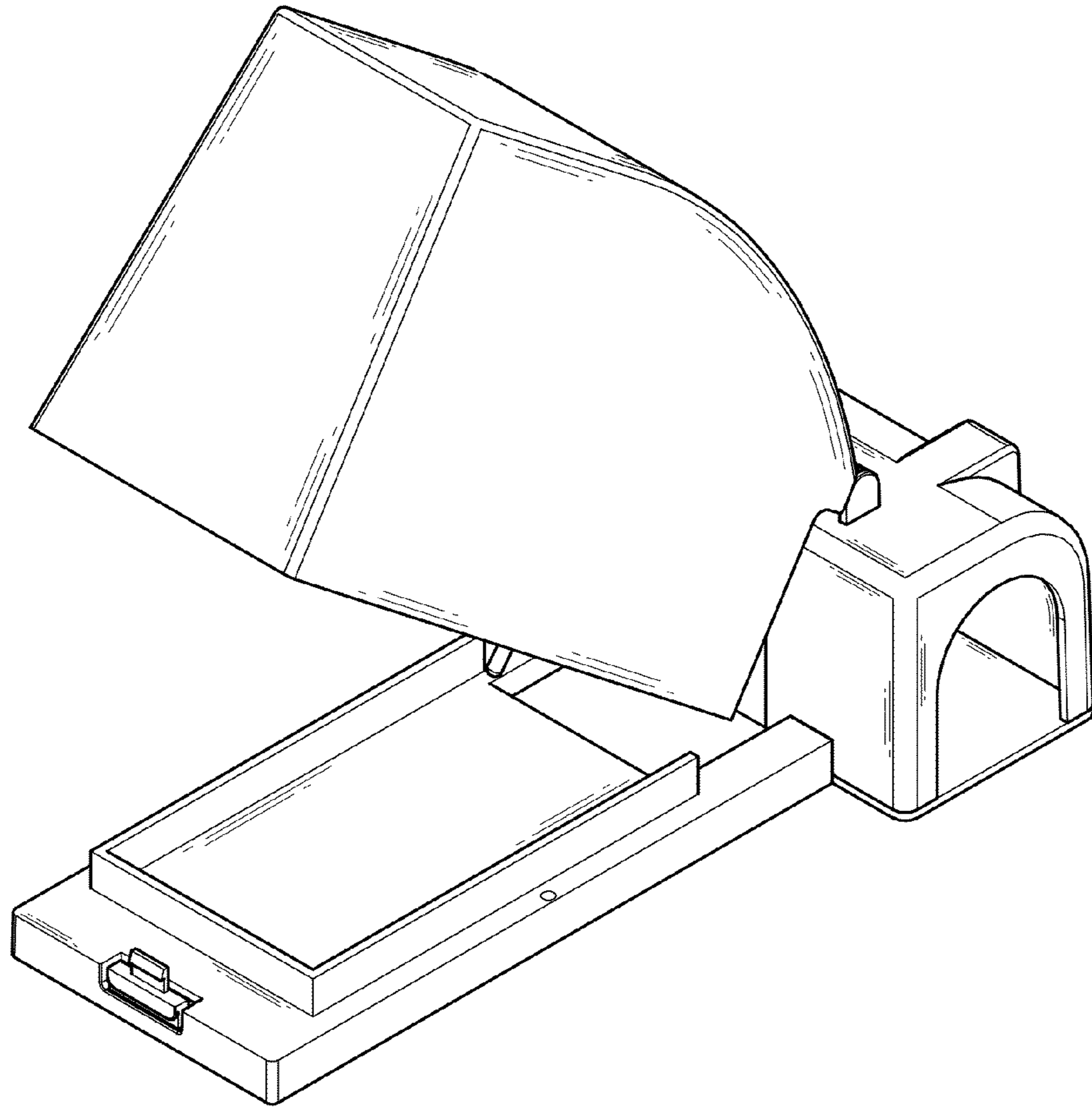


FIG. 8