



US00D678976S

(12) **United States Design Patent**  
**Pittman**

(10) **Patent No.:** **US D678,976 S**  
(45) **Date of Patent:** **\*\* Mar. 26, 2013**

(54) **WEAPON CONTROL HAND STOP**

(75) Inventor: **Earl L. Pittman**, Fort Collins, CO (US)

(73) Assignee: **Impact Weapons Components, LLC**,  
Timnath, CO (US)

(\*\*) Term: **14 Years**

(21) Appl. No.: **29/404,972**

(22) Filed: **Oct. 27, 2011**

(51) **LOC (9) Cl.** ..... **22-01**

(52) **U.S. Cl.** ..... **D22/108**

(58) **Field of Classification Search** ..... D22/100,  
D22/108-110, 199; 248/201, 205.1;  
89/37.03-37.04, 41.17; 42/90, 85, 106,  
42/113-114, 124-128

See application file for complete search history.

(56) **References Cited**

U.S. PATENT DOCUMENTS

2,933,843	A *	4/1960	McFeeter	.....	42/85
3,332,162	A *	7/1967	Martwick et al.	.....	42/105
6,671,991	B1 *	1/2004	Danielson	.....	42/114
7,823,316	B2 *	11/2010	Storch et al.	.....	42/90

D636,836 S \* 4/2011 Fitzpatrick et al. .... D22/108  
2011/0107643 A1 \* 5/2011 Fitzpatrick et al. .... 42/72

\* cited by examiner

*Primary Examiner* — Michael A Pratt

(74) *Attorney, Agent, or Firm* — Cooley LLP

(57) **CLAIM**

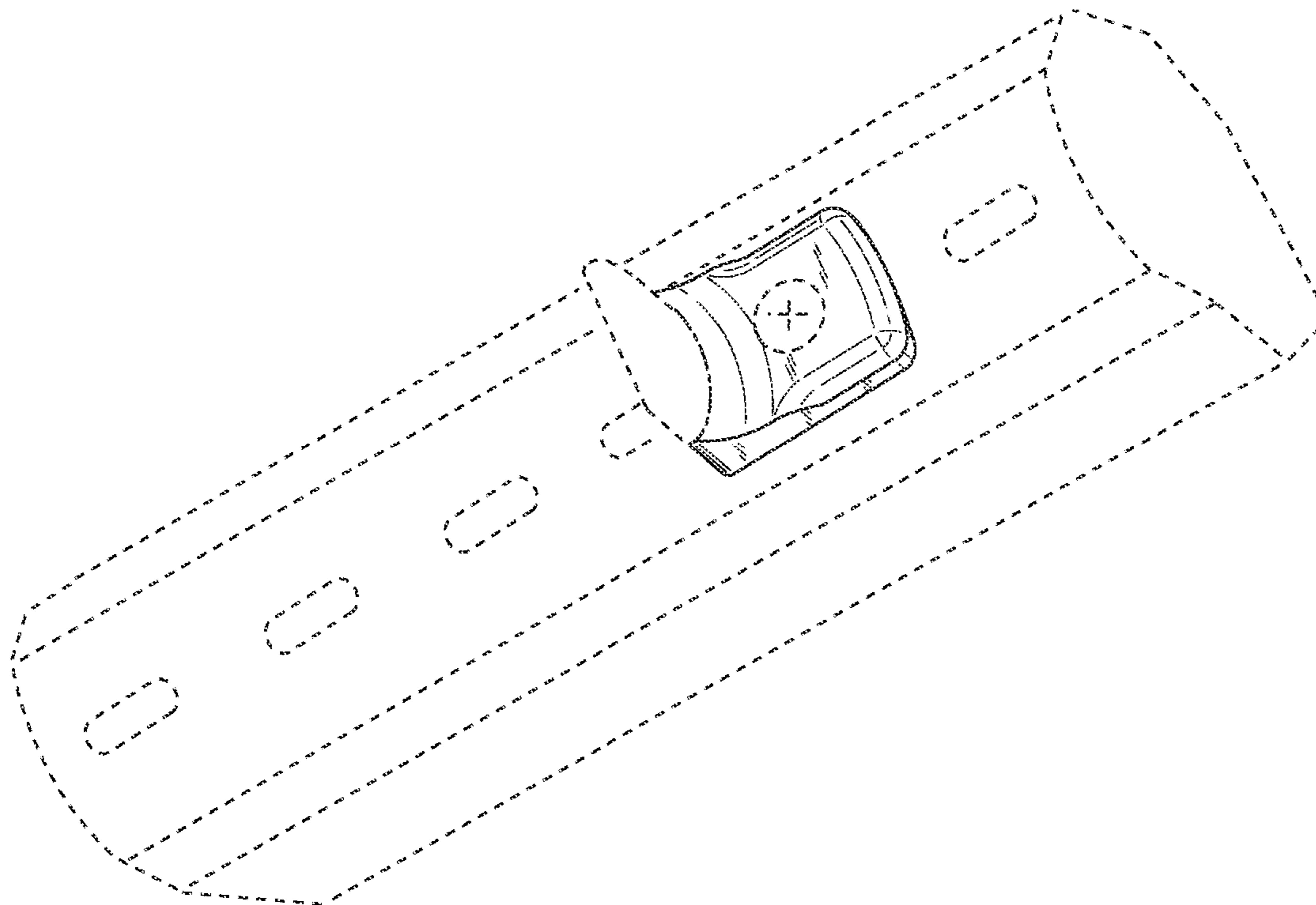
The ornamental design for a weapon control hand stop, as shown and described.

**DESCRIPTION**

FIG. 1 is a perspective view;  
FIG. 2 is another perspective view;  
FIG. 3 is a top view;  
FIG. 4 is a bottom view;  
FIG. 5 is a right side view, the left side view being a mirror image thereof;  
FIG. 6 is a front view; and,  
FIG. 7 is a back view.

The broken lines immediately adjacent the shaded areas represent the bounds of the claimed design while all other broken lines are directed to environment and are for illustrative purposes only; the broken lines form no part of the claimed design.

**1 Claim, 3 Drawing Sheets**



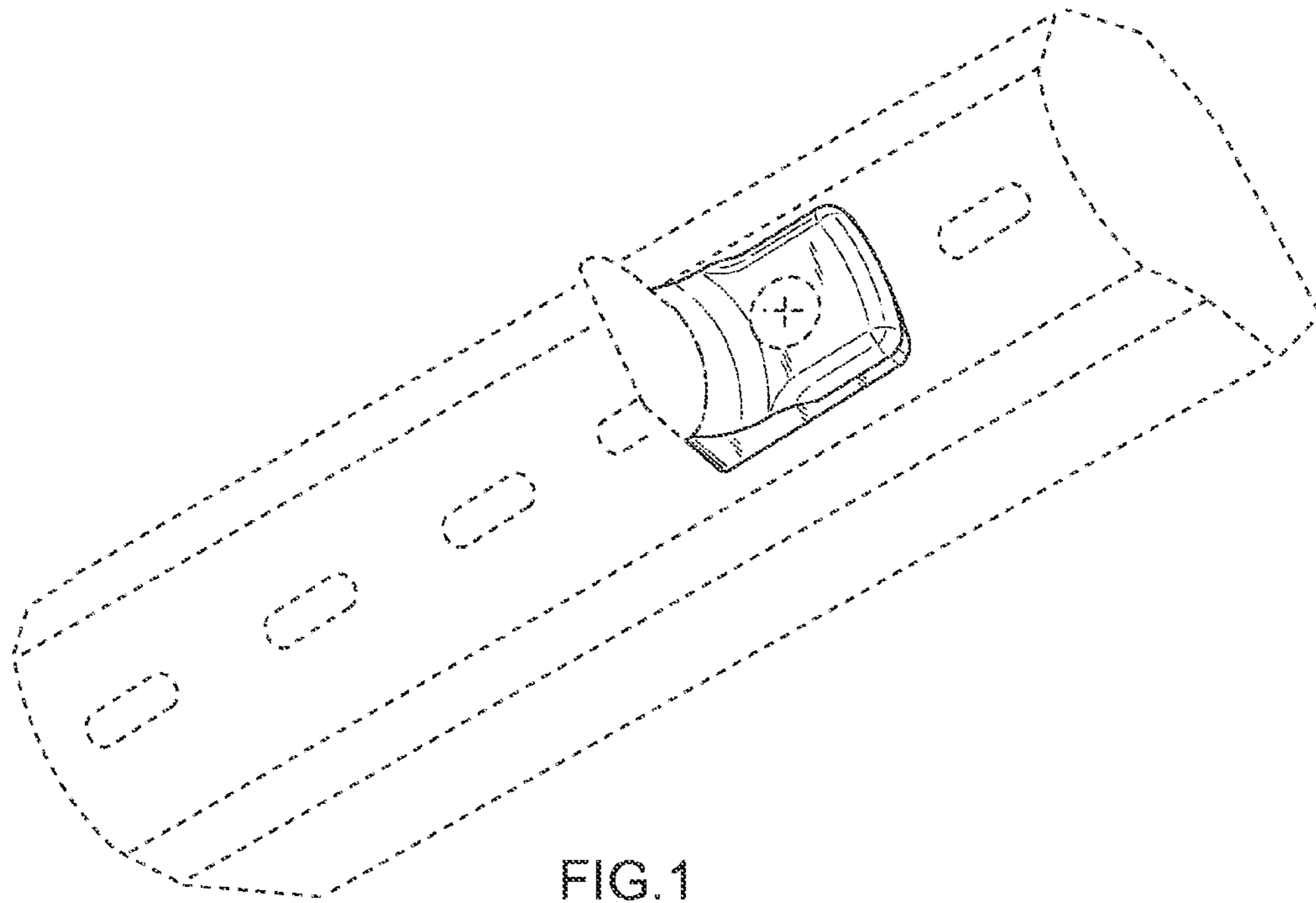


FIG. 1

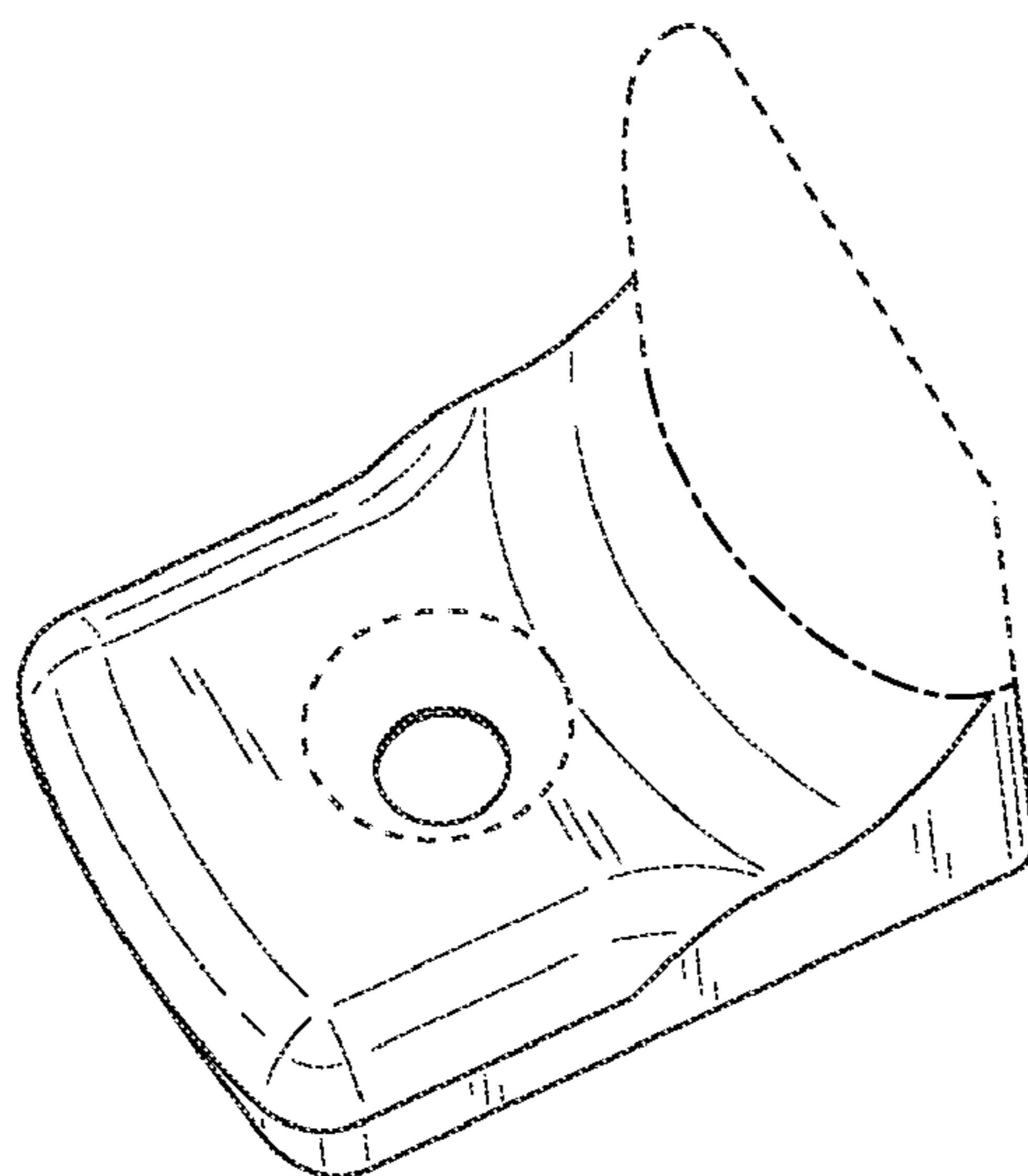


FIG. 2

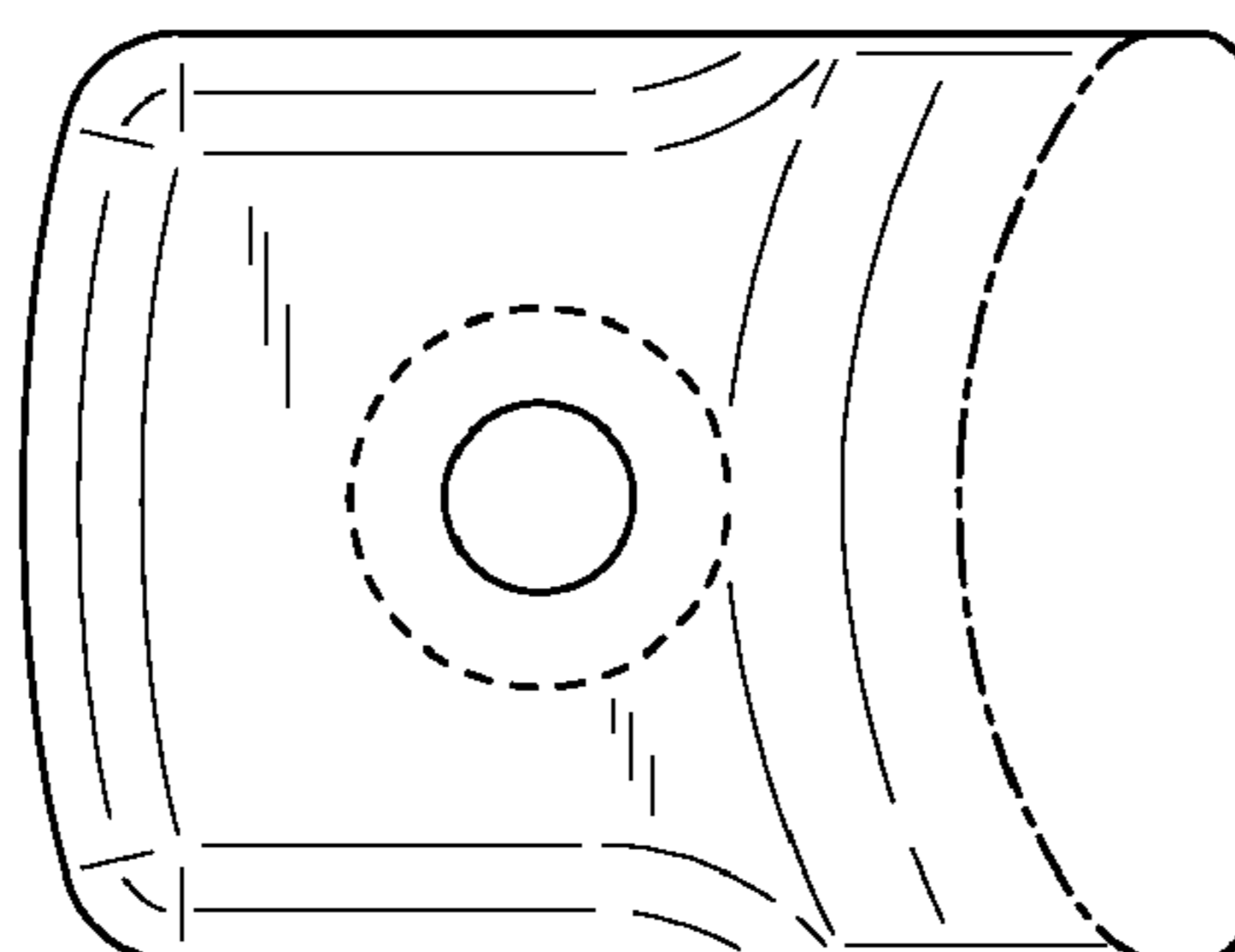


FIG. 3

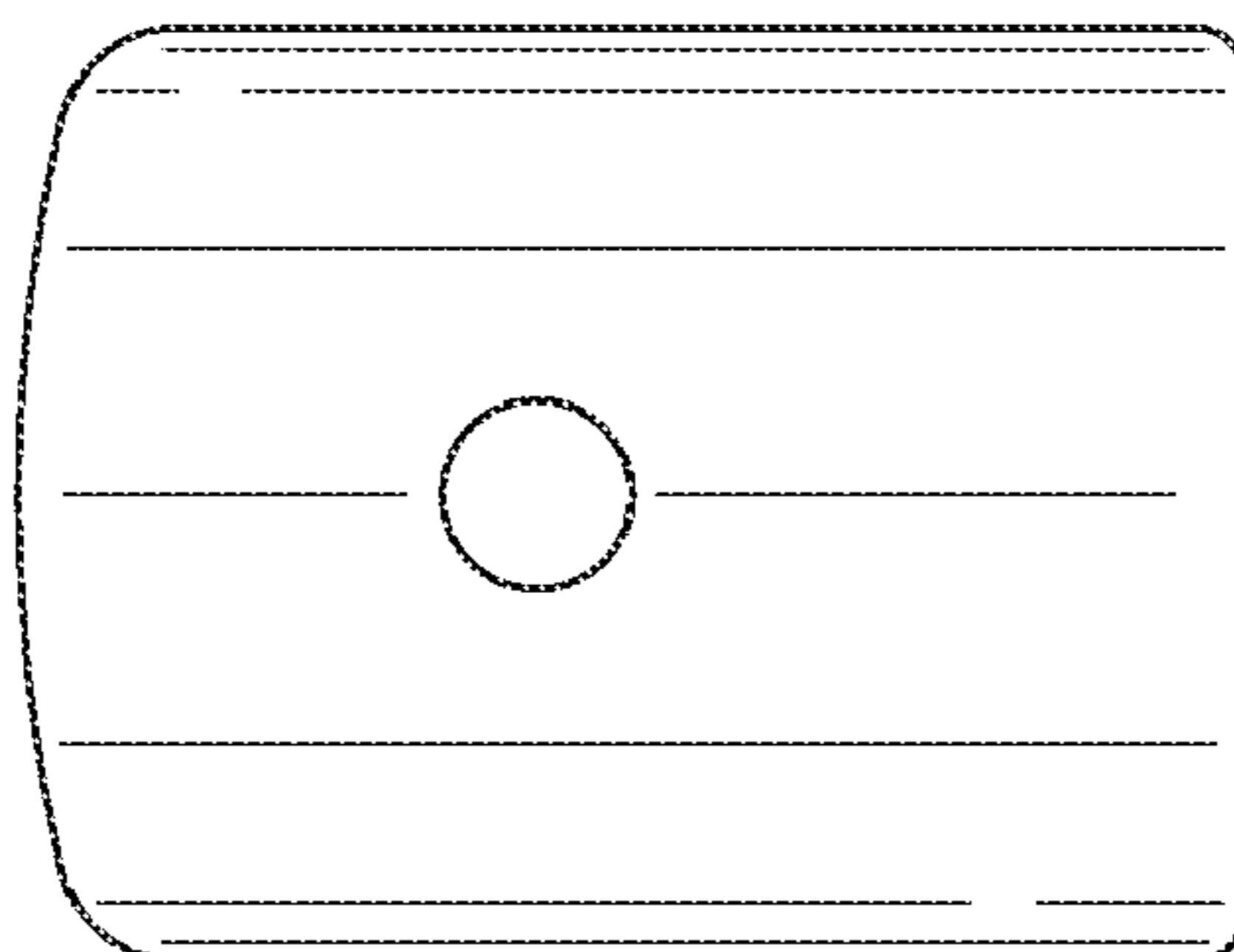


FIG. 4

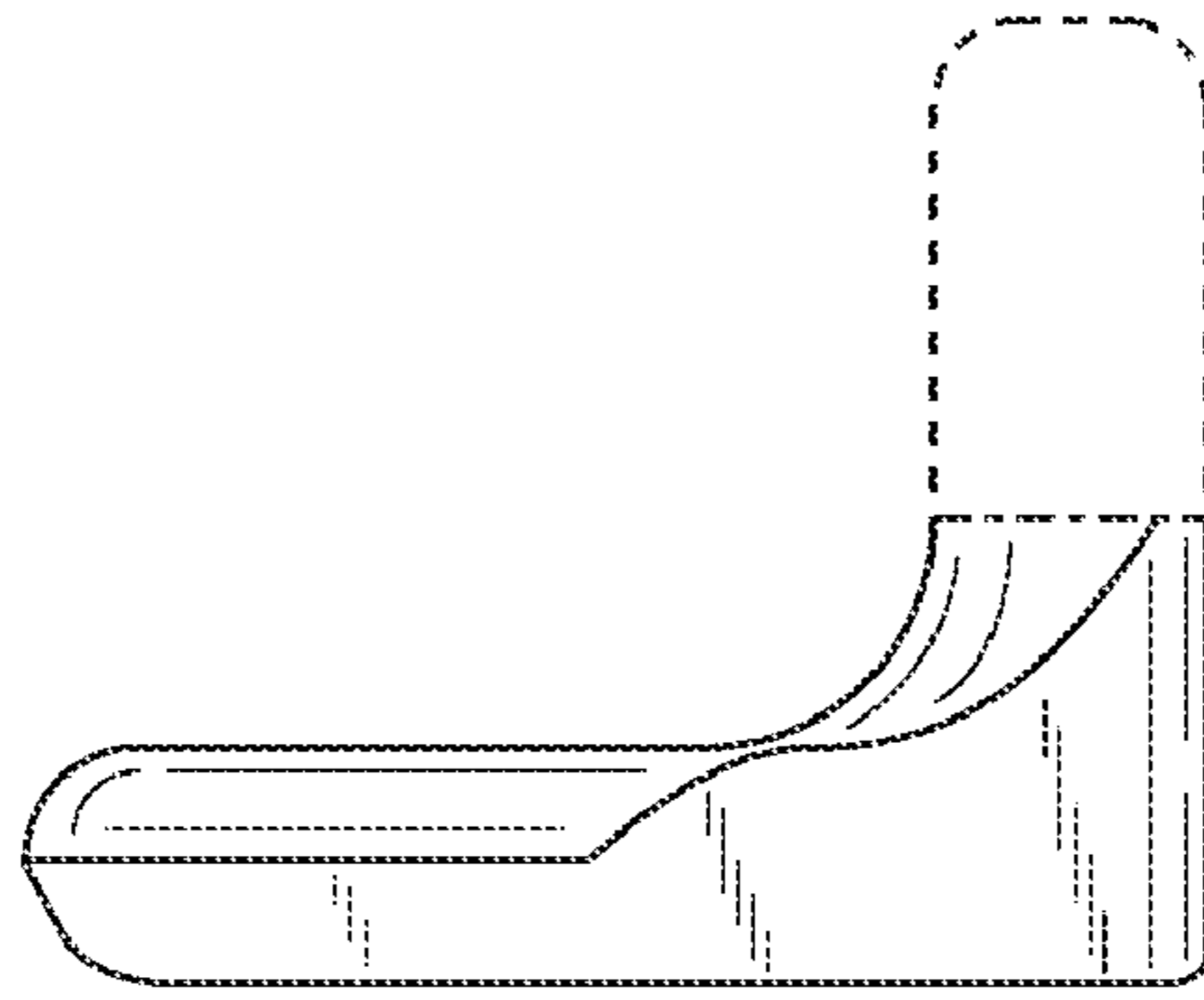


FIG. 5

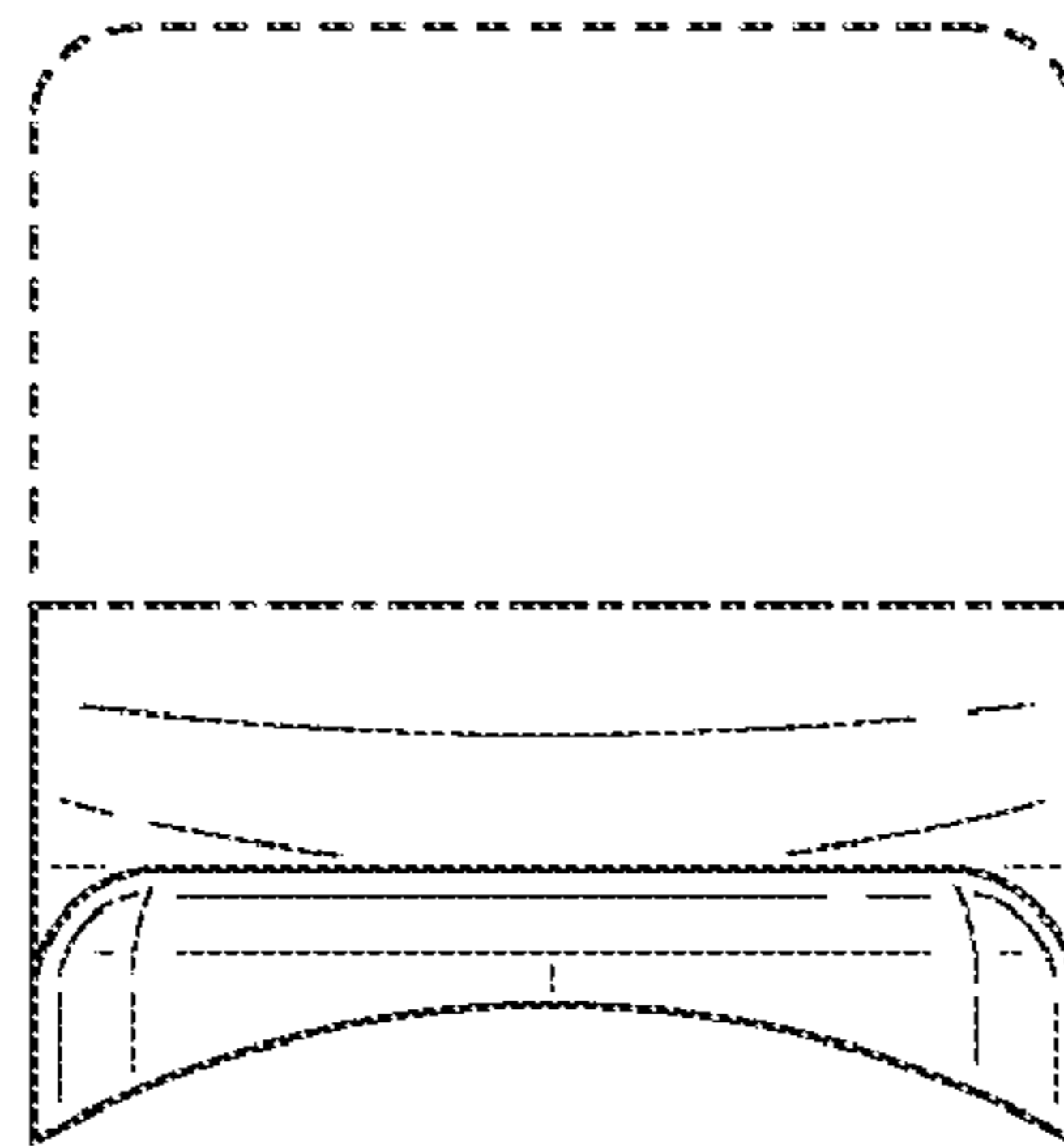


FIG. 6

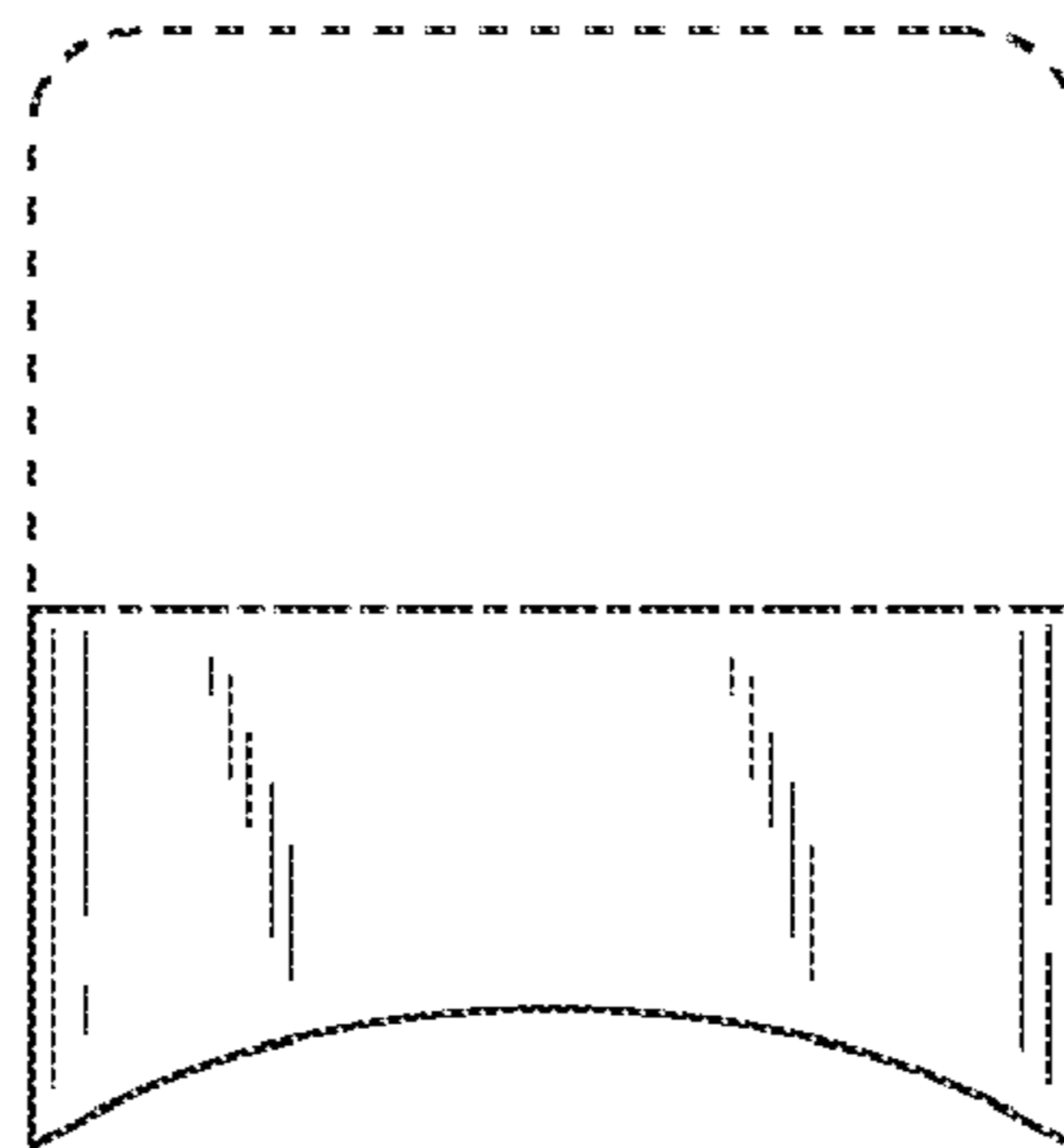


FIG. 7