



US00D678967S

(12) **United States Design Patent**
Fossum et al.

(10) **Patent No.:** **US D678,967 S**
(45) **Date of Patent:** **** Mar. 26, 2013**

(54) **COLLAR CLAMP FOR SPORTS EQUIPMENT**

(71) Applicants: **Brandon L. Fossum**, Phoenix, AZ (US);
John A. Solheim, Phoenix, AZ (US);
Bradley D. Schweigert, Anthem, AZ (US)

(72) Inventors: **Brandon L. Fossum**, Phoenix, AZ (US);
John A. Solheim, Phoenix, AZ (US);
Bradley D. Schweigert, Anthem, AZ (US)

(73) Assignee: **Karstan Manufacturing Corporation**, Phoenix, AZ (US)

(**) Term: **14 Years**

(21) Appl. No.: **29/433,995**

(22) Filed: **Oct. 8, 2012**

Related U.S. Application Data

(63) Continuation-in-part of application No. 29/424,352, filed on Jun. 11, 2012, now Pat. No. Des. 670,776, and a continuation-in-part of application No. 29/416,469, filed on Mar. 22, 2012, now abandoned, and a continuation-in-part of application No. 29/416,609, filed on Mar. 23, 2012, now Pat. No. Des. 665,471.

(51) **LOC (9) Cl.** **21-02**

(52) **U.S. Cl.** **D21/753**

(58) **Field of Classification Search** D21/722,
D21/715, 725, 753, 756, 759, 789; 473/300-303,
473/318, 305-310, 256; D8/397-399, 382;
285/334.2, 341; D23/262

See application file for complete search history.

(56) **References Cited**

U.S. PATENT DOCUMENTS

1,882,520 A 10/1932 Pollard
1,901,377 A 3/1933 Roe

2,608,409 A *	8/1952	Pinkerton	473/256
2,701,149 A	2/1955	Kreidei		
2,791,019 A	5/1957	Du Laney		
2,950,115 A	8/1960	Hurdzan		
3,362,731 A	1/1968	Gasche		
3,455,301 A *	7/1969	Clark	D21/715
3,667,783 A	6/1972	Sotolongo		
3,716,239 A *	2/1973	Goudreau	473/256
4,116,572 A	9/1978	Heldmann		
D251,918 S	5/1979	Fouts		
4,213,614 A	7/1980	Philippi		
4,557,470 A	12/1985	Link		
4,576,501 A	3/1986	McConnell		
4,857,015 A *	8/1989	Michaels et al.	439/607.47
5,062,734 A	11/1991	Vanzee		
D329,013 S	9/1992	Stoner, Jr.		
D329,589 S	9/1992	Parduhn		

(Continued)

OTHER PUBLICATIONS

Brandon L. Fossum, et al., "A Collar Clamp for Sports Equipment," U.S. Appl. No. 29/424,352, filed Jun. 11, 2012.

Primary Examiner — Mitchell Siegel

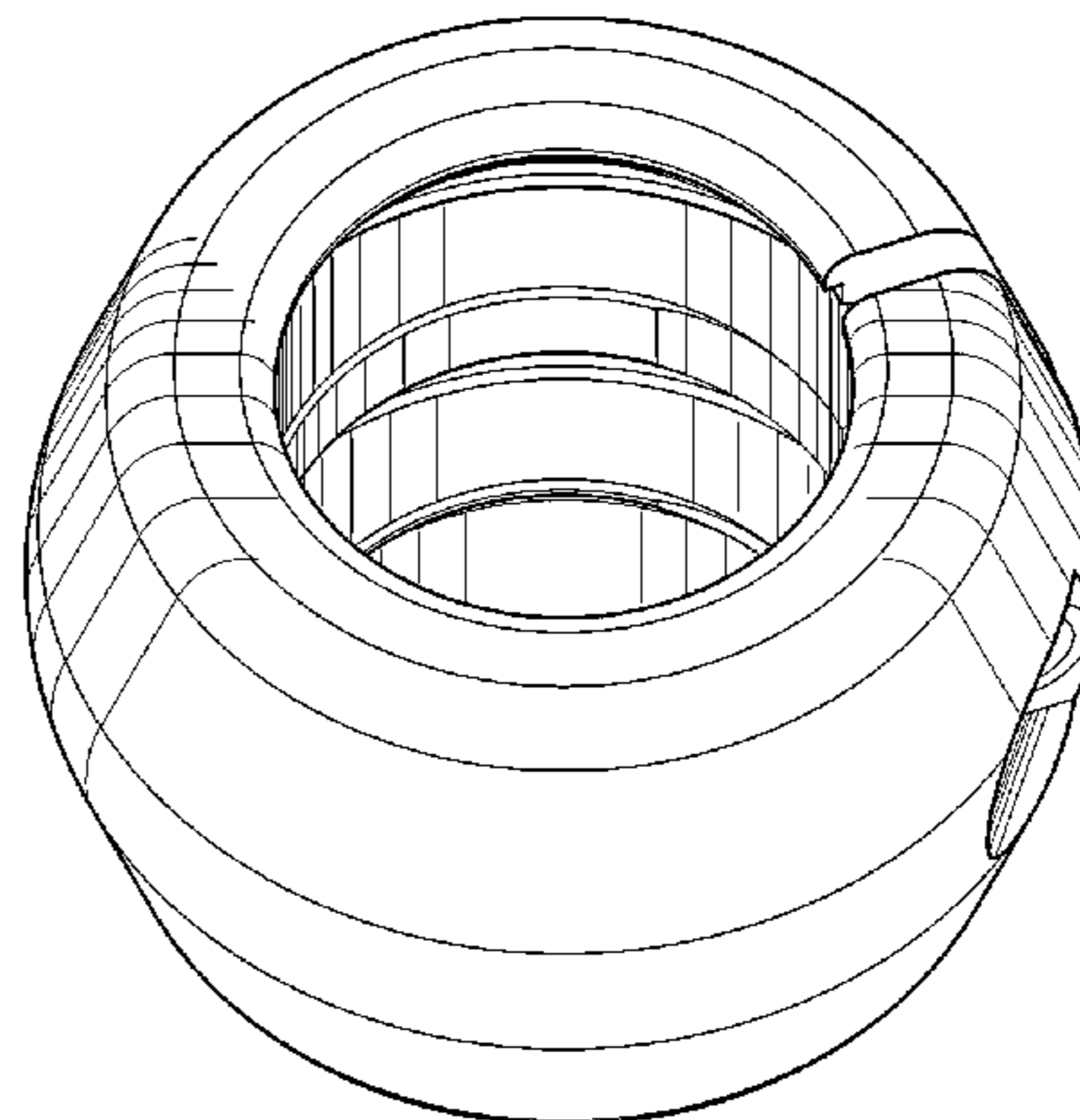
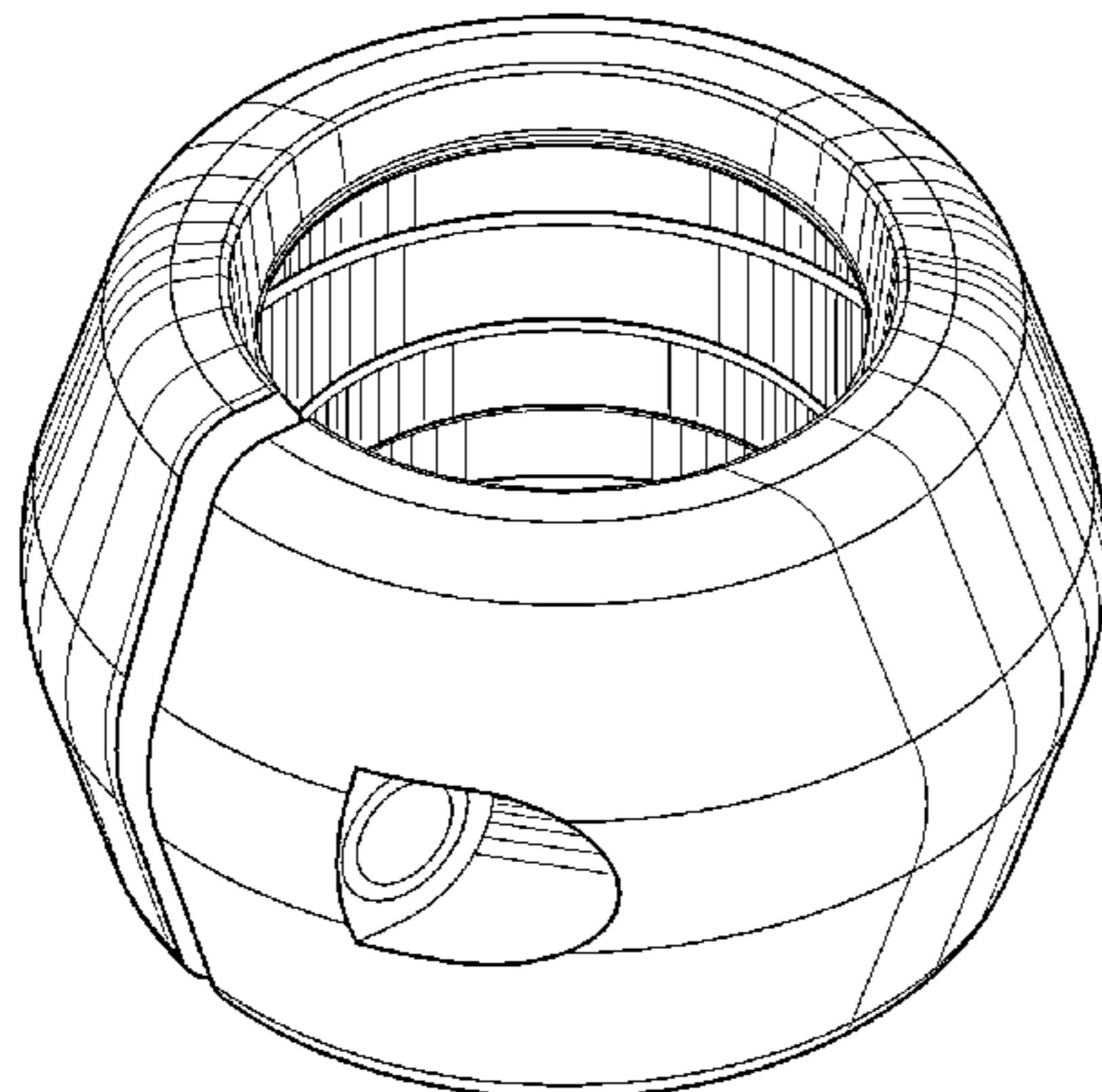
(57) **CLAIM**

The ornamental design for a collar clamp for sports equipment, as shown and described.

DESCRIPTION

FIG. 1 is a top perspective view of a collar clamp for sports equipment;
FIG. 2 is a bottom perspective view of the collar clamp of FIG. 1;
FIG. 3 is a front view of the collar clamp of FIG. 1;
FIG. 4 is a rear view of the collar clamp of FIG. 1;
FIG. 5 is a top view of the collar clamp of FIG. 1;
FIG. 6 is a bottom view of the collar clamp of FIG. 1;
FIG. 7 is a left view of the collar clamp of FIG. 1; and,
FIG. 8 is a right view of the collar clamp of FIG. 1.

1 Claim, 2 Drawing Sheets



US D678,967 S

Page 2

U.S. PATENT DOCUMENTS

5,149,143	A	9/1992	Howell				
D342,891	S	1/1994	Marui				
5,496,029	A	3/1996	Heath				
5,569,096	A	10/1996	Lee				
D383,053	S *	9/1997	Schrader et al.	D8/382		
D383,378	S *	9/1997	Schrader et al.	D8/382		
D387,831	S *	12/1997	George	D21/753		
5,924,658	A	7/1999	Shiery				
5,924,937	A	7/1999	Kuo				
5,926,961	A	7/1999	Uhl				
5,997,012	A	12/1999	Brian				
6,186,904	B1	2/2001	Bass				
6,196,930	B1	3/2001	Aumock				
6,283,874	B1	9/2001	Studebaker				
6,358,157	B1	3/2002	Sorenson				
6,413,006	B1	7/2002	Neugart				
D480,953	S	10/2003	Lee				
6,938,587	B2	9/2005	Thomas				
D522,853	S *	6/2006	Shirakawa	D8/397		
D523,507	S	6/2006	Perry				
7,074,135	B2	7/2006	Moore				
7,115,046	B1 *	10/2006	Evans	473/307		
7,252,598	B2	8/2007	Lindner				
7,300,210	B2	11/2007	Johnson				
7,309,292	B2 *	12/2007	Tu Teng	473/256		
7,384,344	B2	6/2008	Aguirre				
7,438,496	B2	10/2008	Moore				
7,490,866	B2	2/2009	Webb				
D587,633	S *	3/2009	Parrett et al.	D12/119		
D590,902	S *	4/2009	De La Cruz et al.	D21/756		
D598,076	S	8/2009	Dole				
7,794,340	B2	9/2010	Mauer				
D627,841	S	11/2010	Estrada, Jr.				
D650,262	S	12/2011	Hinkle, III				
8,075,217	B2	12/2011	Eason				
D659,212	S *	5/2012	Smith et al.	D21/753		
D665,471	S *	8/2012	Fossum et al.	D21/753		
2003/0186759	A1	10/2003	Buchanan				
2004/0190983	A1	9/2004	Hamilton				
2005/0143186	A1	6/2005	Blattner				
2005/0245324	A1 *	11/2005	Light	473/256		
2006/0270487	A1 *	11/2006	Tu Teng	473/256		
2008/0156139	A1	7/2008	Lai				
2009/0156322	A1	6/2009	Luly				
2011/0124430	A1	5/2011	Hicks				
2011/0165956	A1	7/2011	Park				

* cited by examiner

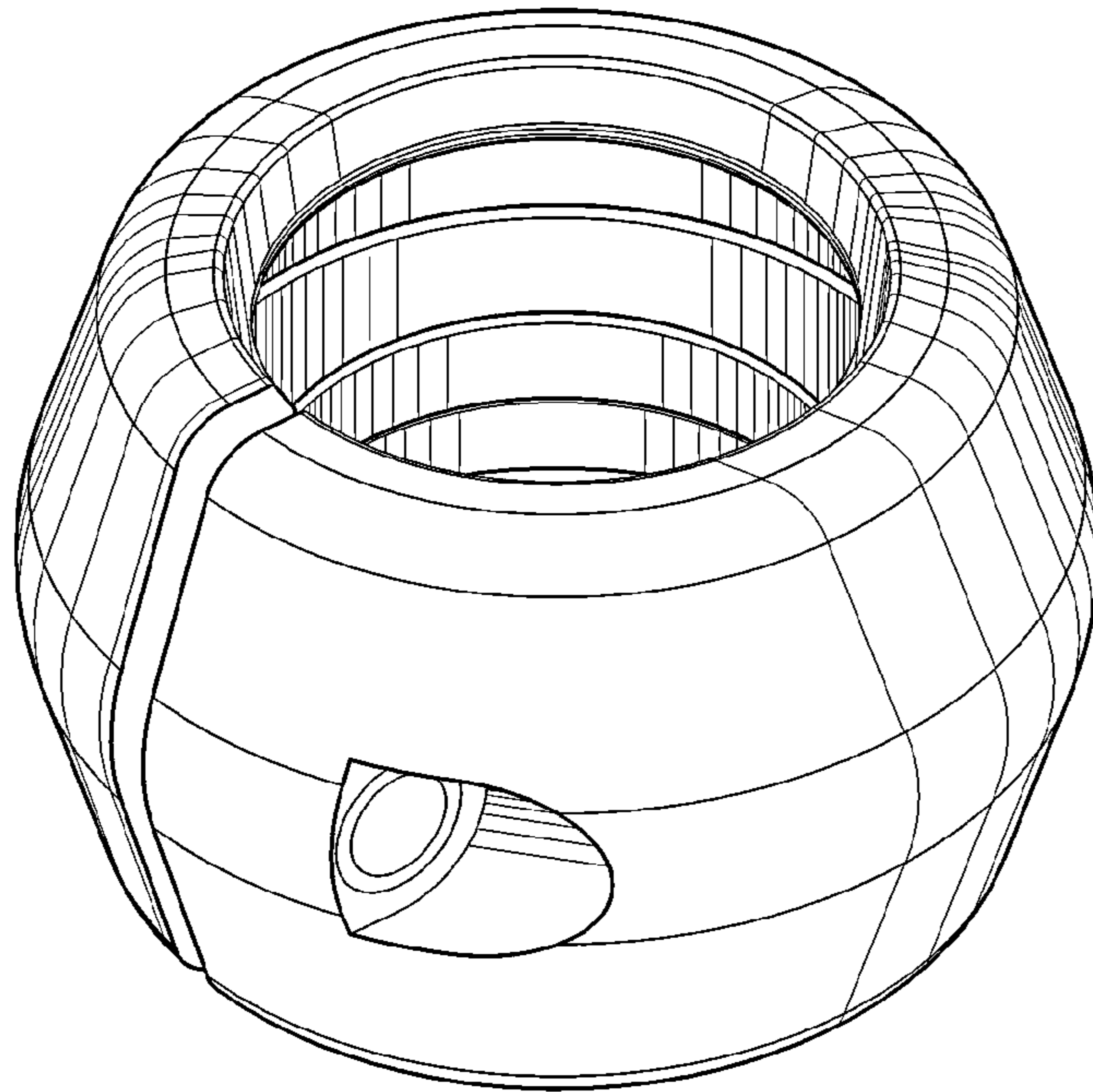


Fig. 1

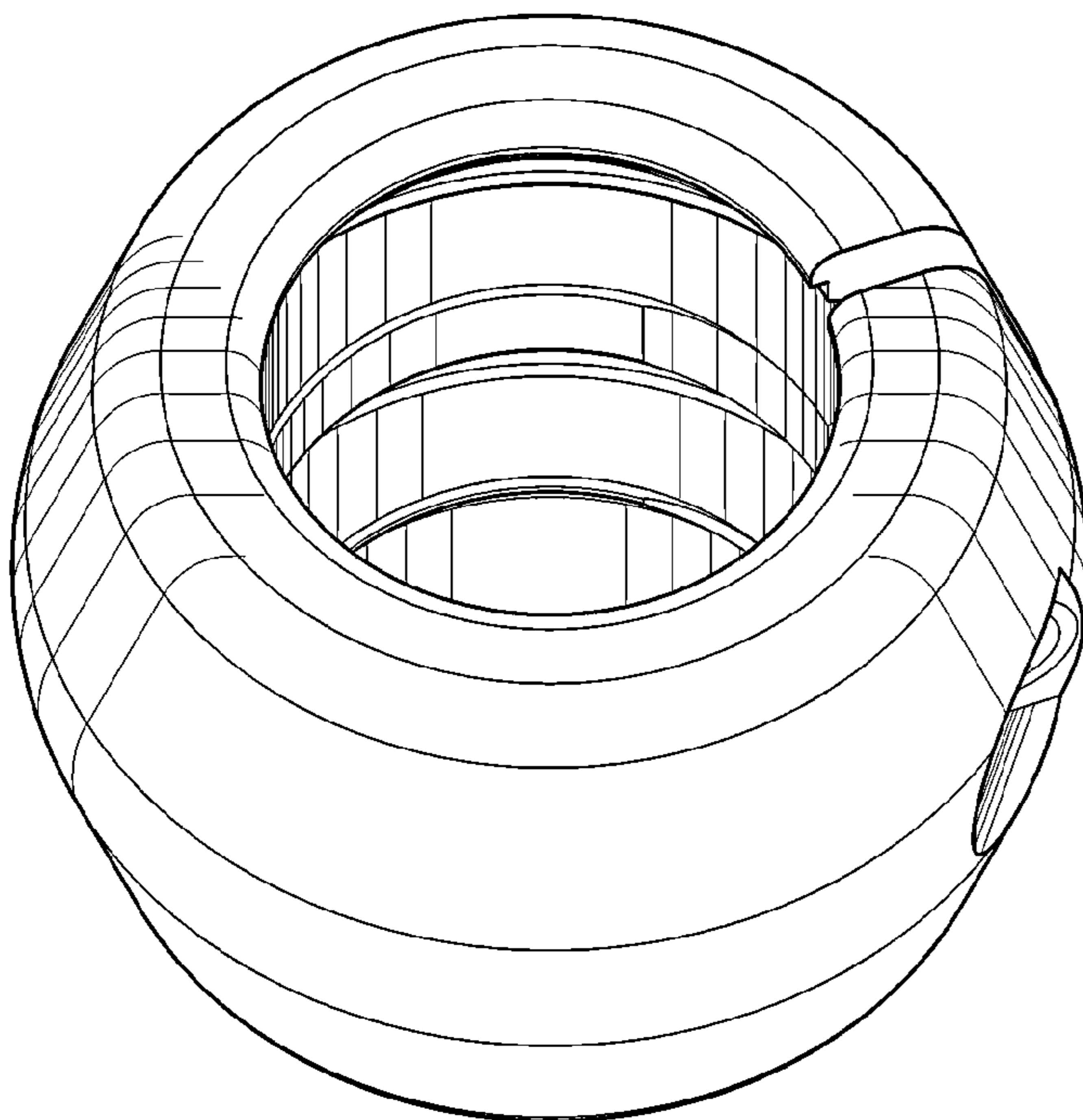


Fig. 2

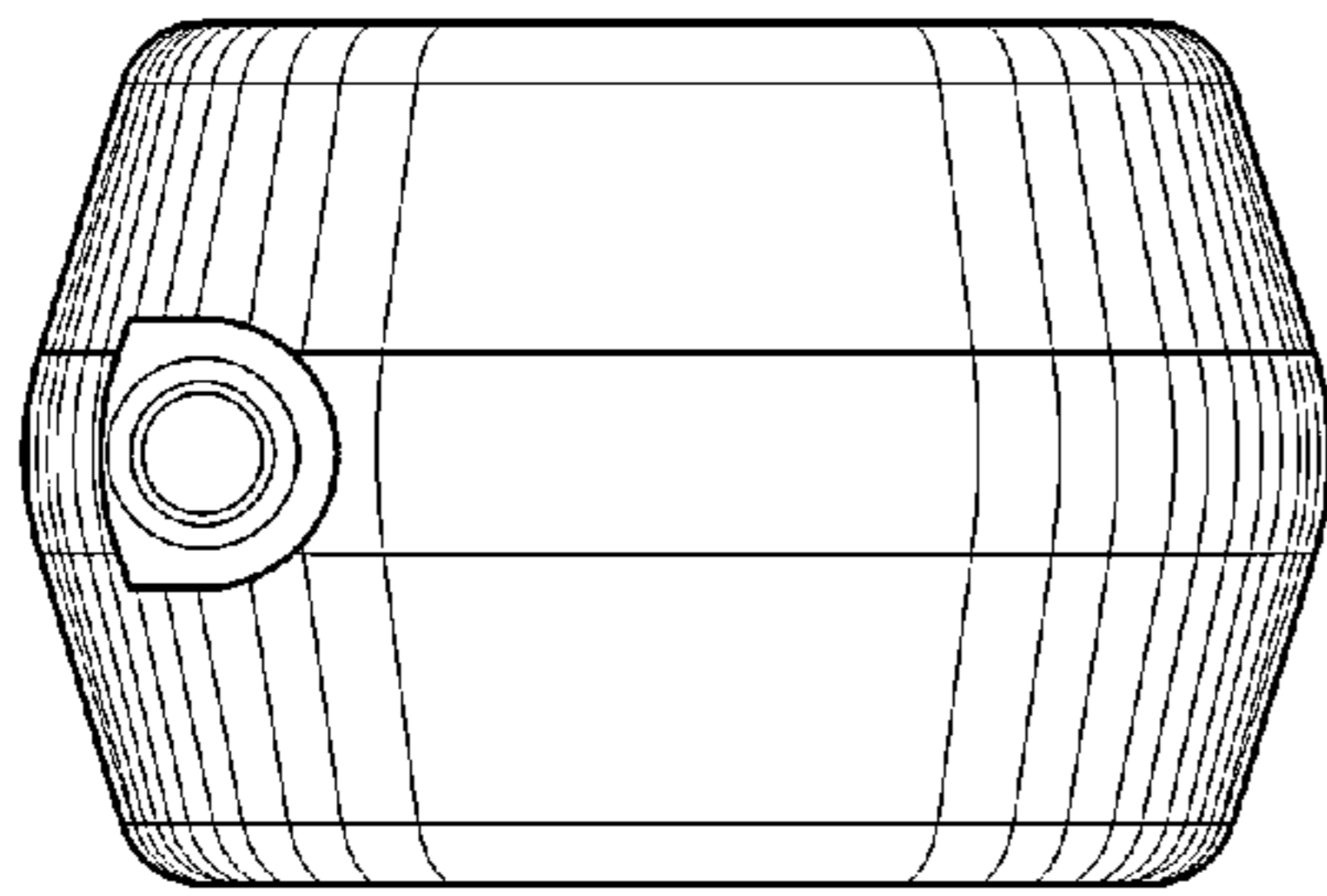


Fig. 3

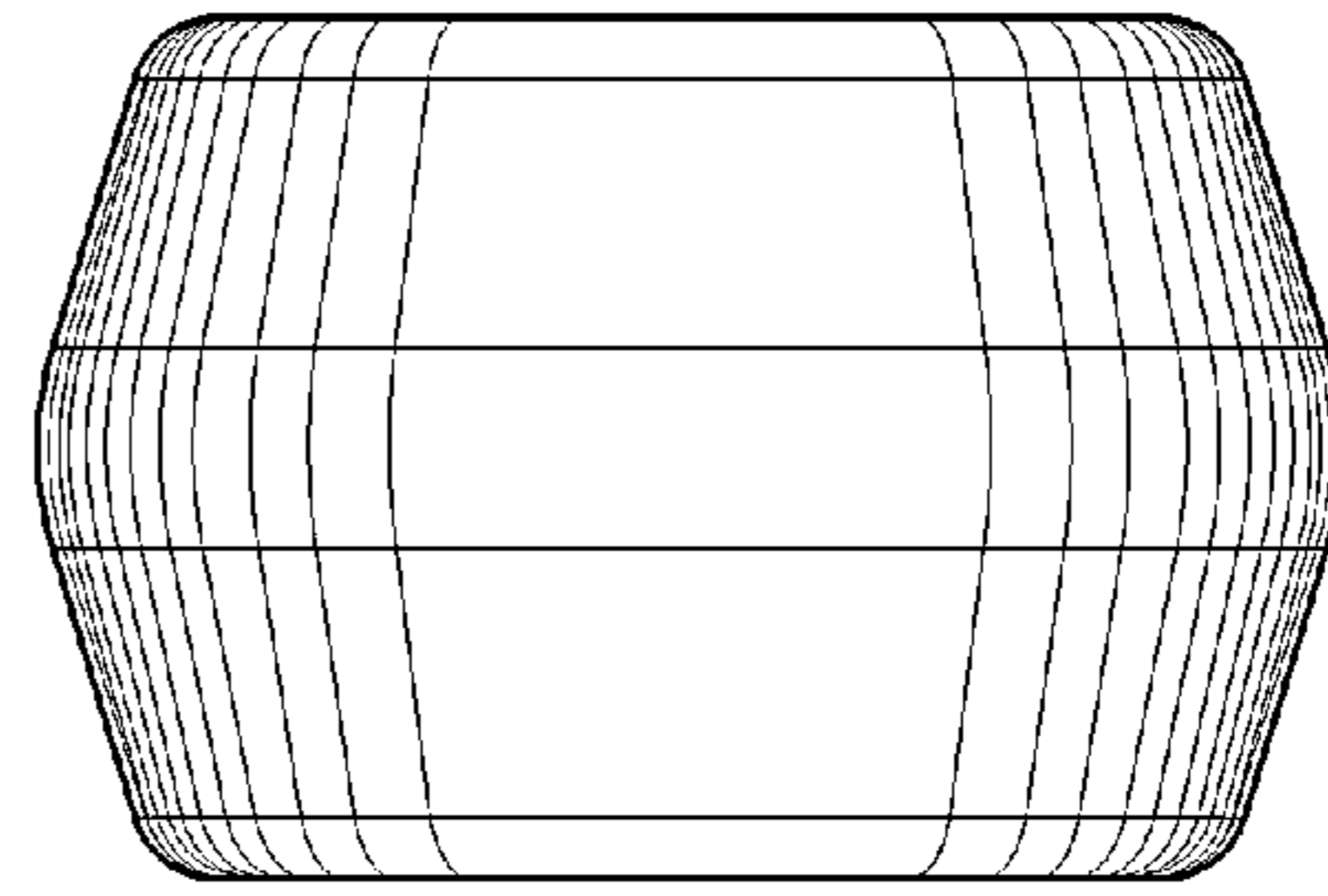


Fig. 4

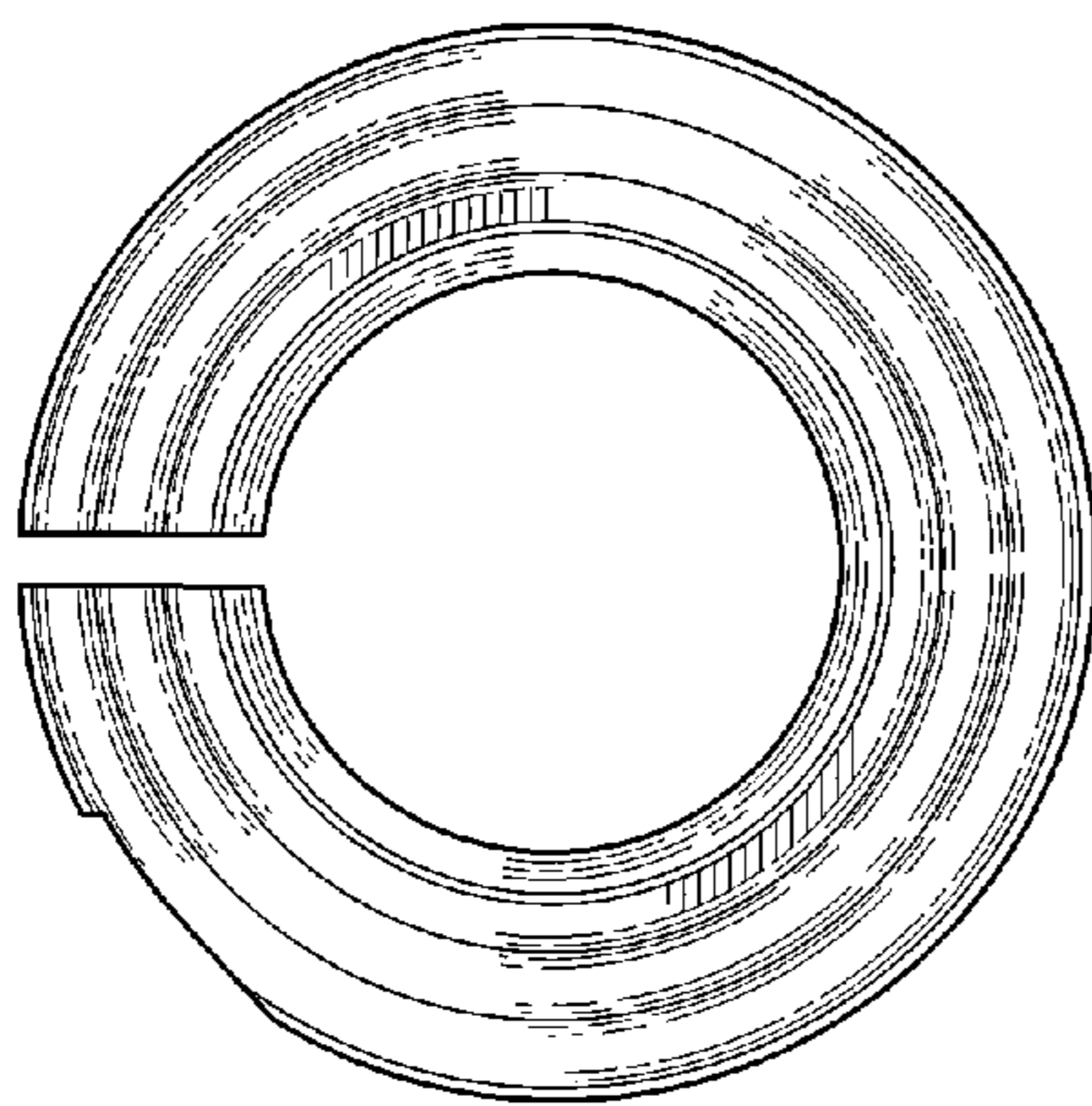


Fig. 5

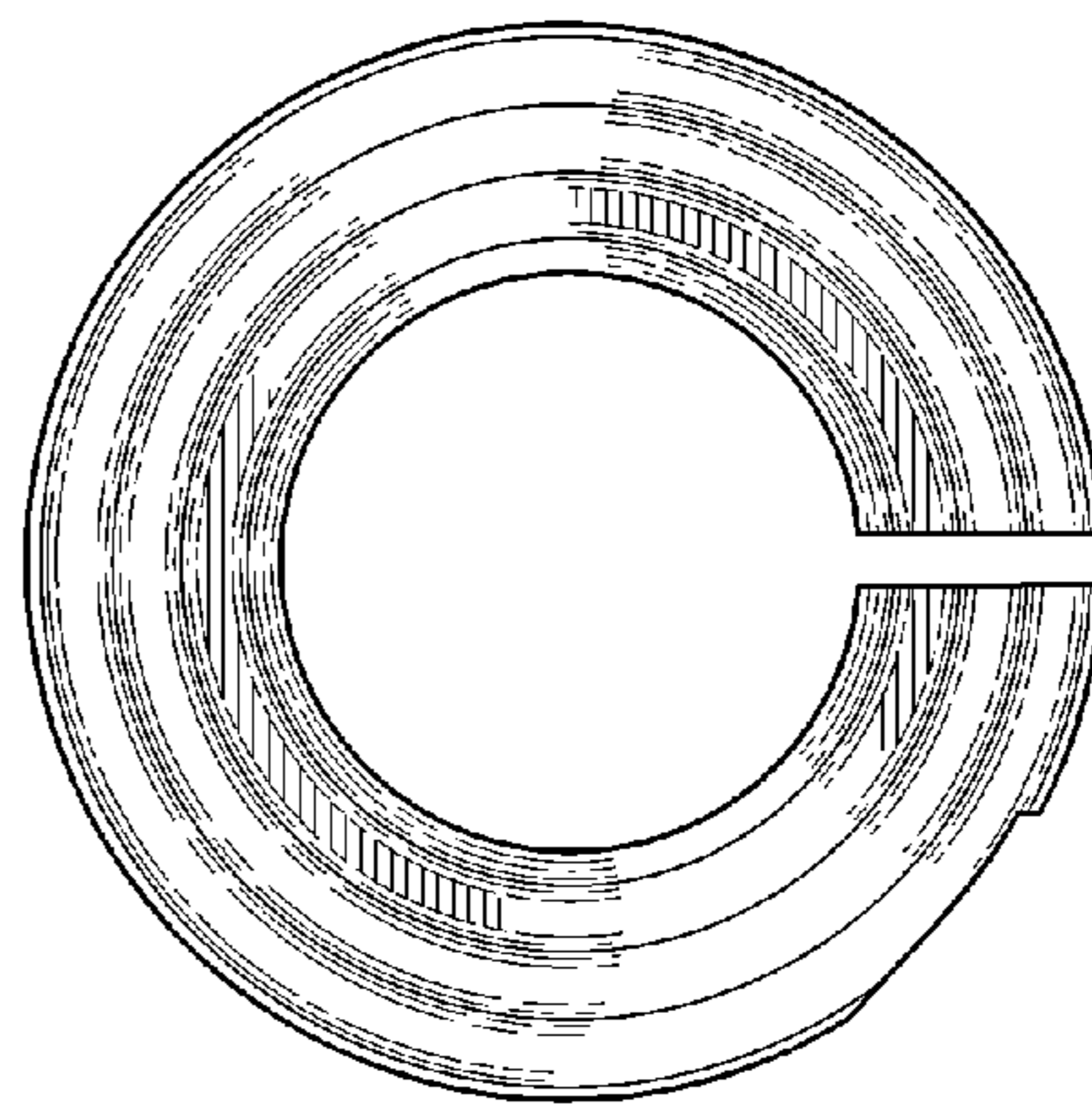


Fig. 6

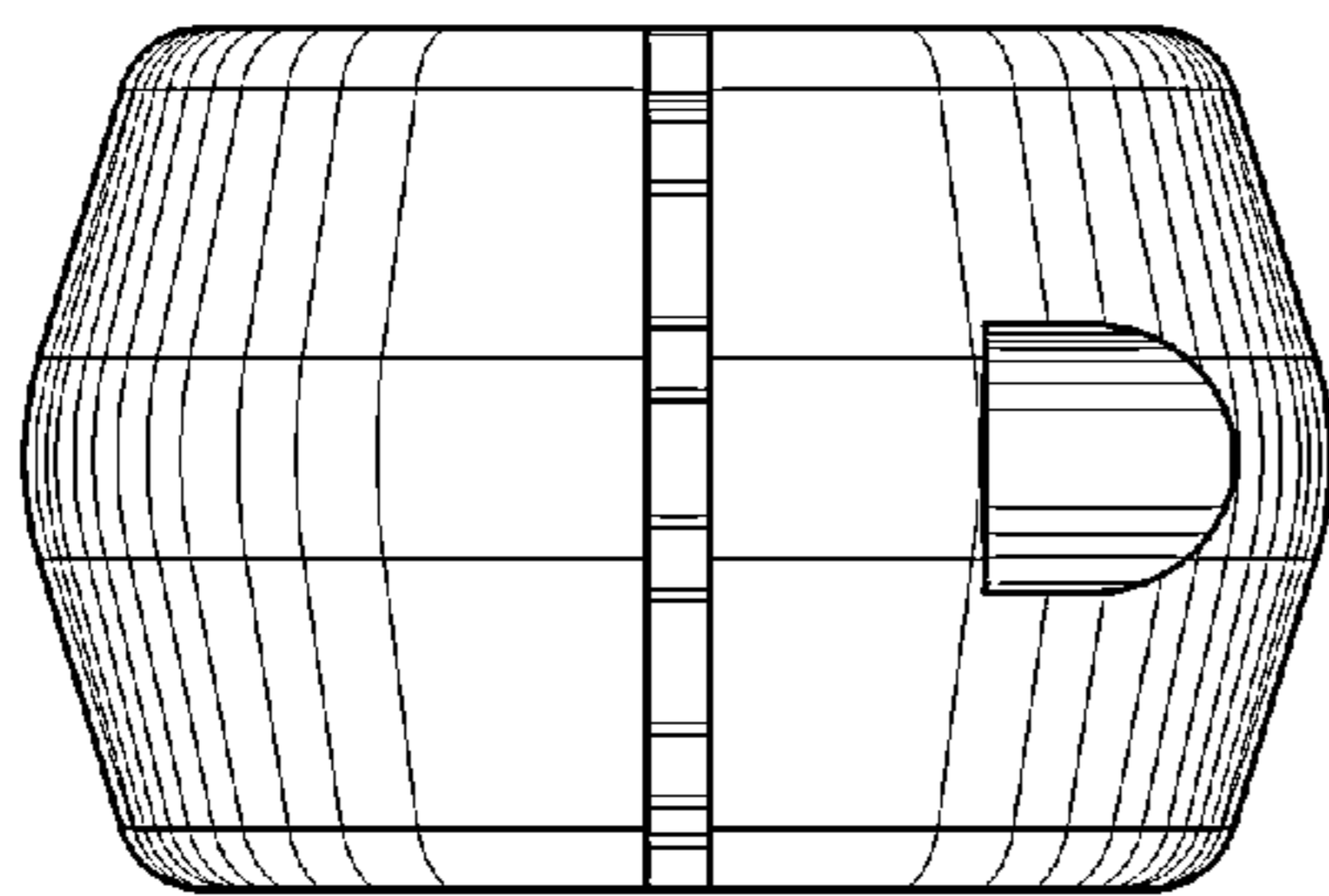


Fig. 7

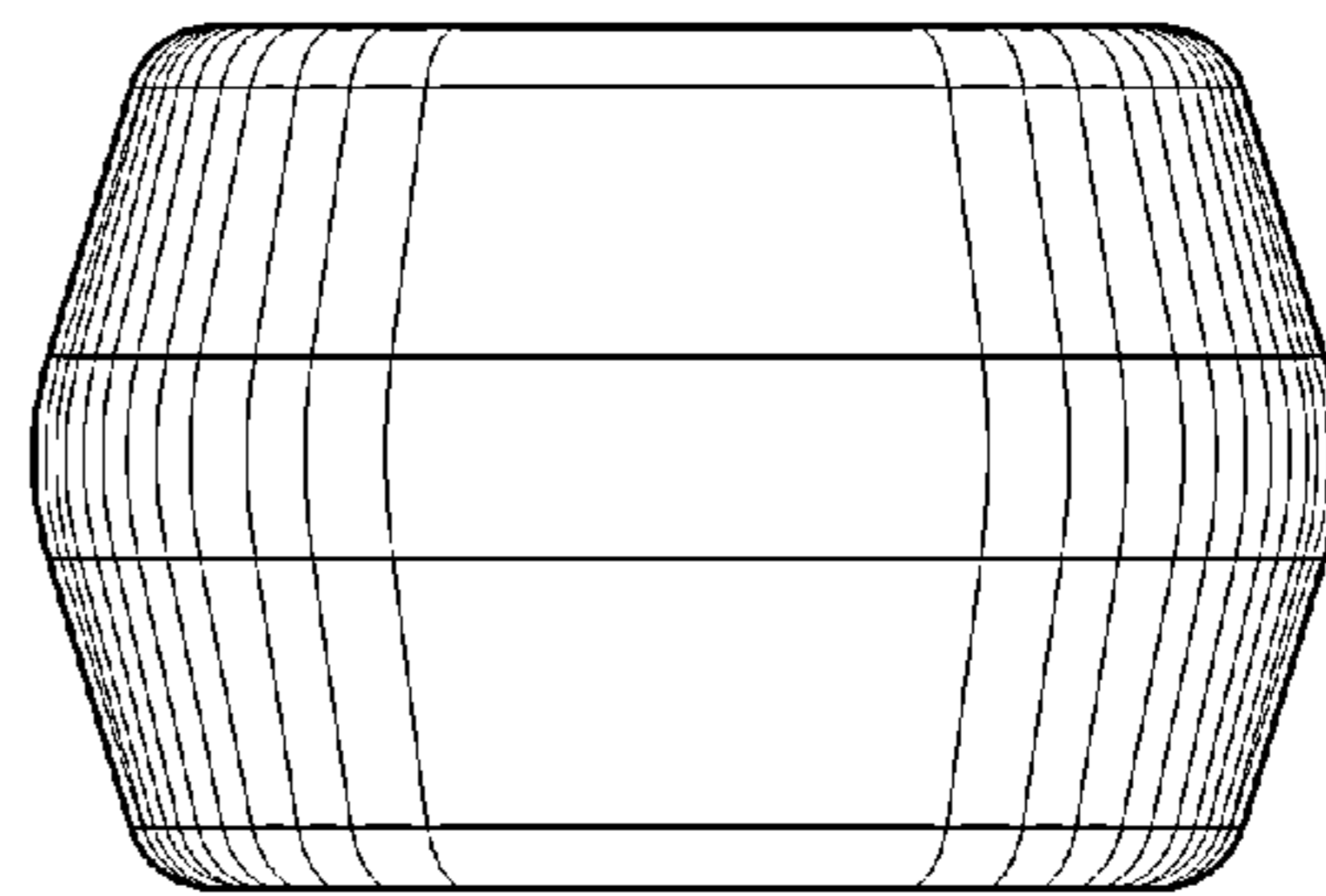


Fig. 8