



US00D678963S

(12) **United States Design Patent**  
**James**

(10) **Patent No.:** **US D678,963 S**  
(45) **Date of Patent:** **\*\* Mar. 26, 2013**

(54) **MULTIFUNCTIONAL WEIGHT BENCH**

(76) Inventor: **Robert William James**, Cocoa, FL (US)

(\*\*) Term: **14 Years**

(21) Appl. No.: **29/421,507**

(22) Filed: **Aug. 6, 2012**

(51) **LOC (9) Cl.** ..... **21-02**

(52) **U.S. Cl.** ..... **D21/690; D21/676**

(58) **Field of Classification Search** ..... D21/662,  
D21/676, 686, 687, 688, 689, 690, 694, 695;  
482/62, 97, 99, 102, 104, 121, 133, 140,  
482/142, 145

See application file for complete search history.

D408,875 S *	4/1999	Anderson	.....	D21/676
D427,652 S *	7/2000	Webber	.....	D21/676
D432,601 S *	10/2000	Savage et al.	.....	D21/676
D455,803 S *	4/2002	Webber	.....	D21/690
6,746,379 B1 *	6/2004	Brawner	.....	482/104
D578,173 S *	10/2008	James	.....	D21/690
7,503,881 B2 *	3/2009	Quick et al.	.....	482/99
7,736,286 B2 *	6/2010	Panaiotov	.....	482/142
7,753,830 B1 *	7/2010	Marsh et al.	.....	482/142
D637,246 S *	5/2011	James	.....	D21/690

\* cited by examiner

*Primary Examiner* — Susan E Krakower

(57) **CLAIM**

I claim the ornamental design for the multifunctional weight bench, as shown and described.

**DESCRIPTION**

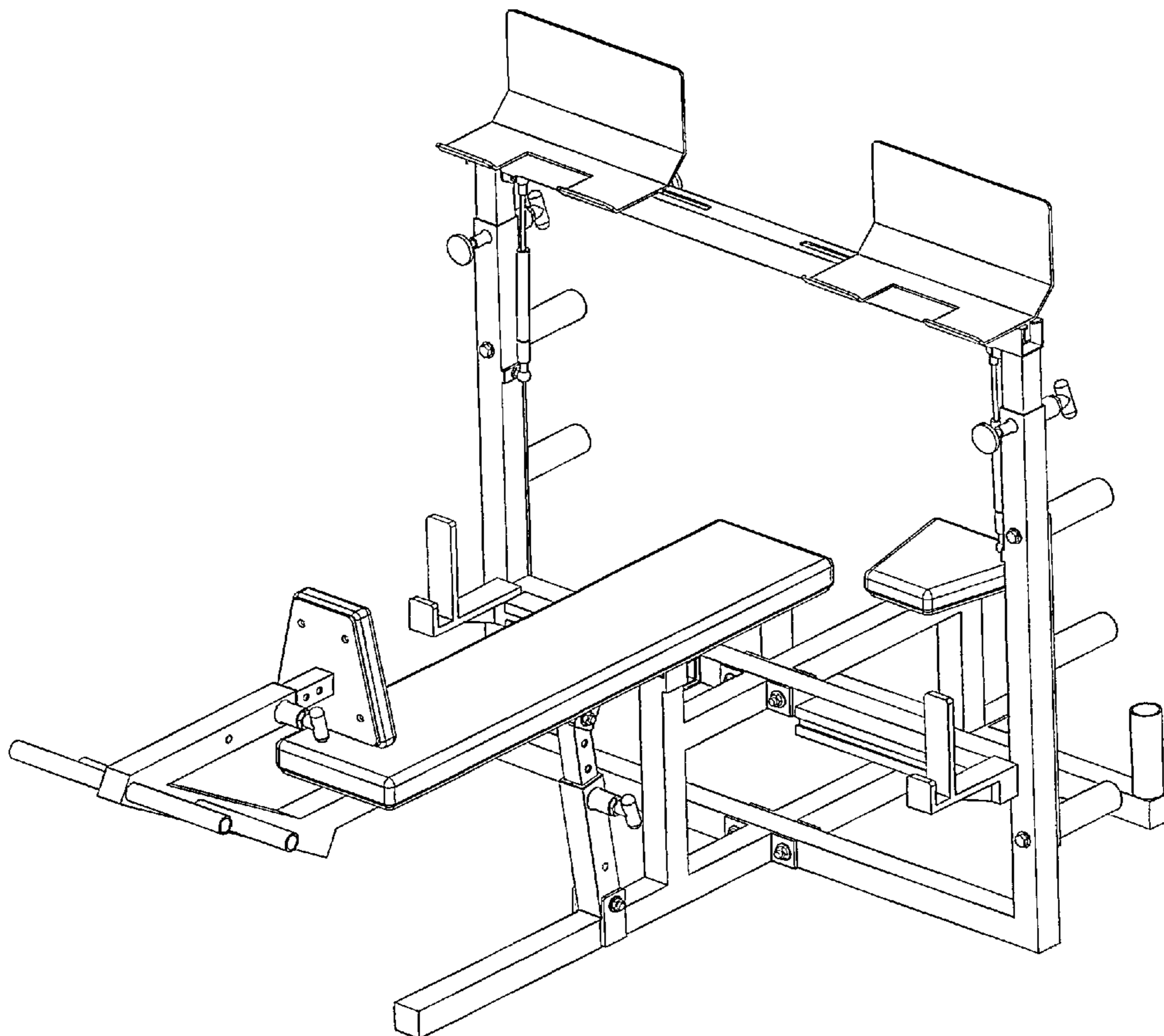
FIG. 1 is a rear elevational view of the multifunctional weight bench, showing my new design;  
FIG. 2 is a front elevational view thereof;  
FIG. 3 is a right side elevational view thereof;  
FIG. 4 is a top plan view thereof;  
FIG. 5 is a bottom plan view thereof;  
FIG. 6 is a front perspective view thereof; and,  
FIG. 7 is a rear perspective view thereof.

**1 Claim, 7 Drawing Sheets**

(56) **References Cited**

**U.S. PATENT DOCUMENTS**

D314,026 S *	1/1991	Jennings	.....	D21/676
D327,719 S *	7/1992	Towley et al.	.....	D21/690
5,429,570 A *	7/1995	Beyer	.....	482/104
D384,116 S *	9/1997	Brefka et al.	.....	D21/676
D390,287 S *	2/1998	Hsieh et al.	.....	D21/676
D390,290 S *	2/1998	Van Der Hoeven et al.	.....	D21/676
D390,895 S *	2/1998	Brefka et al.	.....	D21/676
5,725,460 A *	3/1998	Marsh	.....	482/104
D393,891 S *	4/1998	Van Der Hoeven et al.	.....	D21/676
D405,853 S *	2/1999	Husted	.....	D21/676



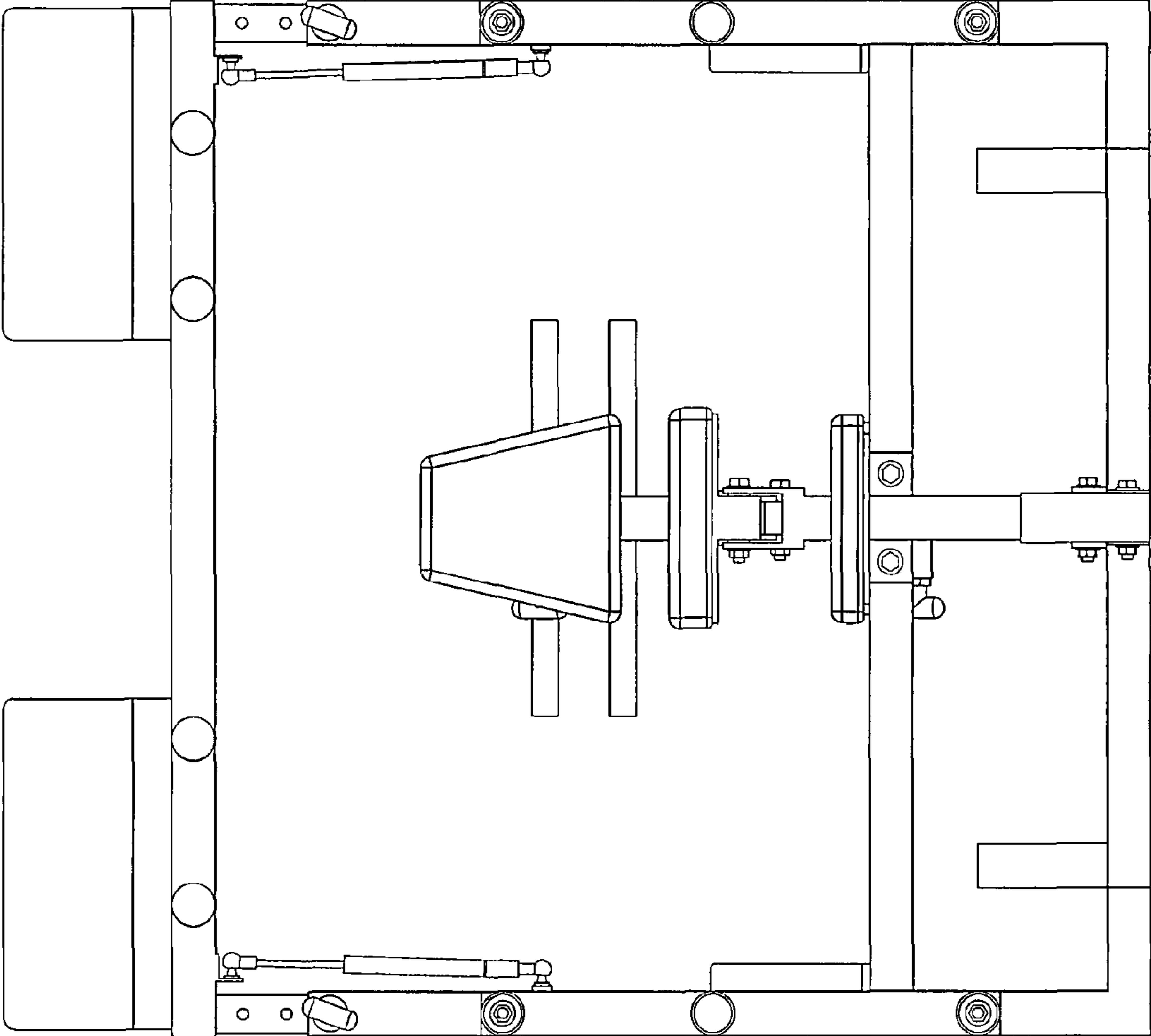


FIG. 1

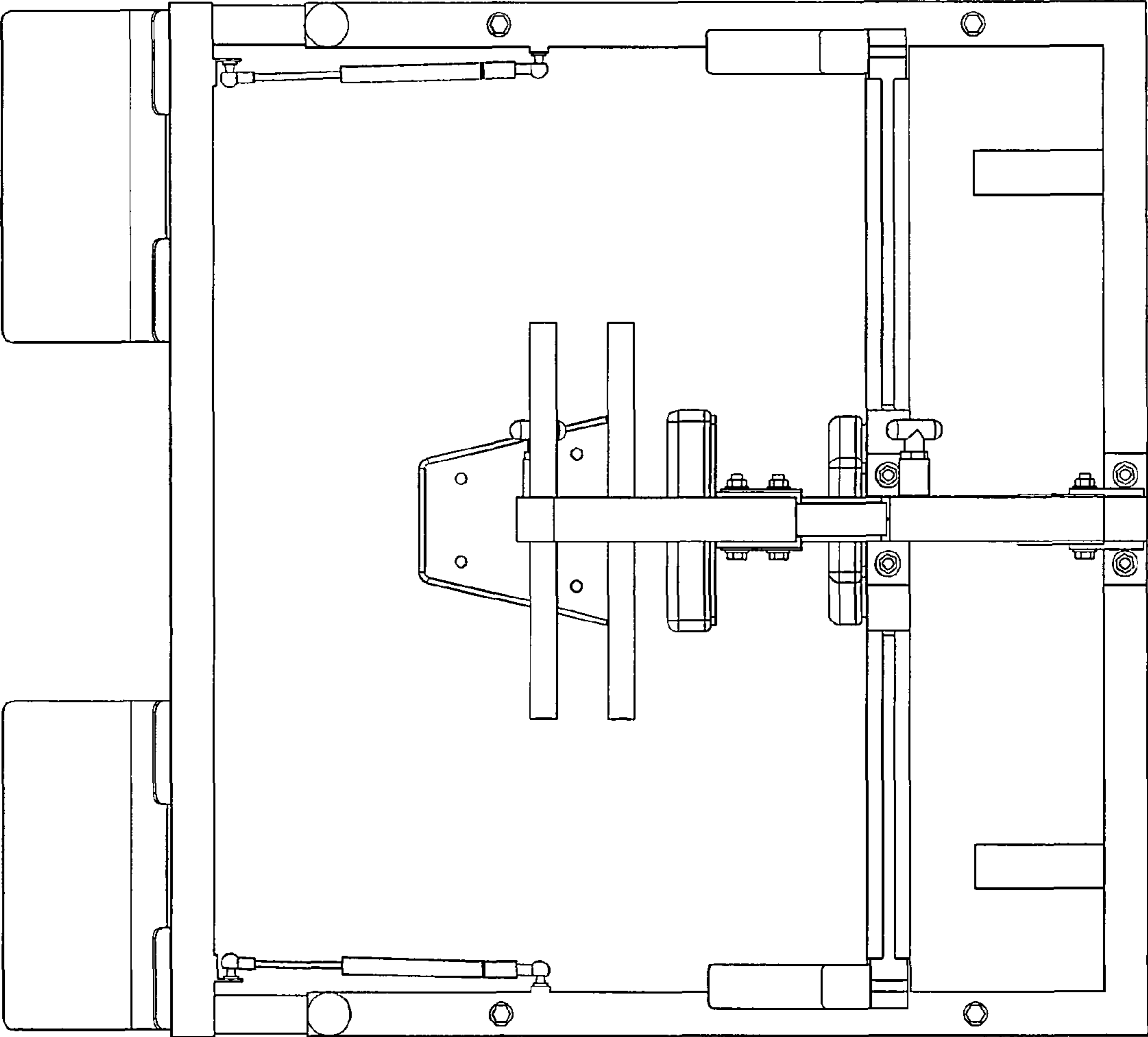
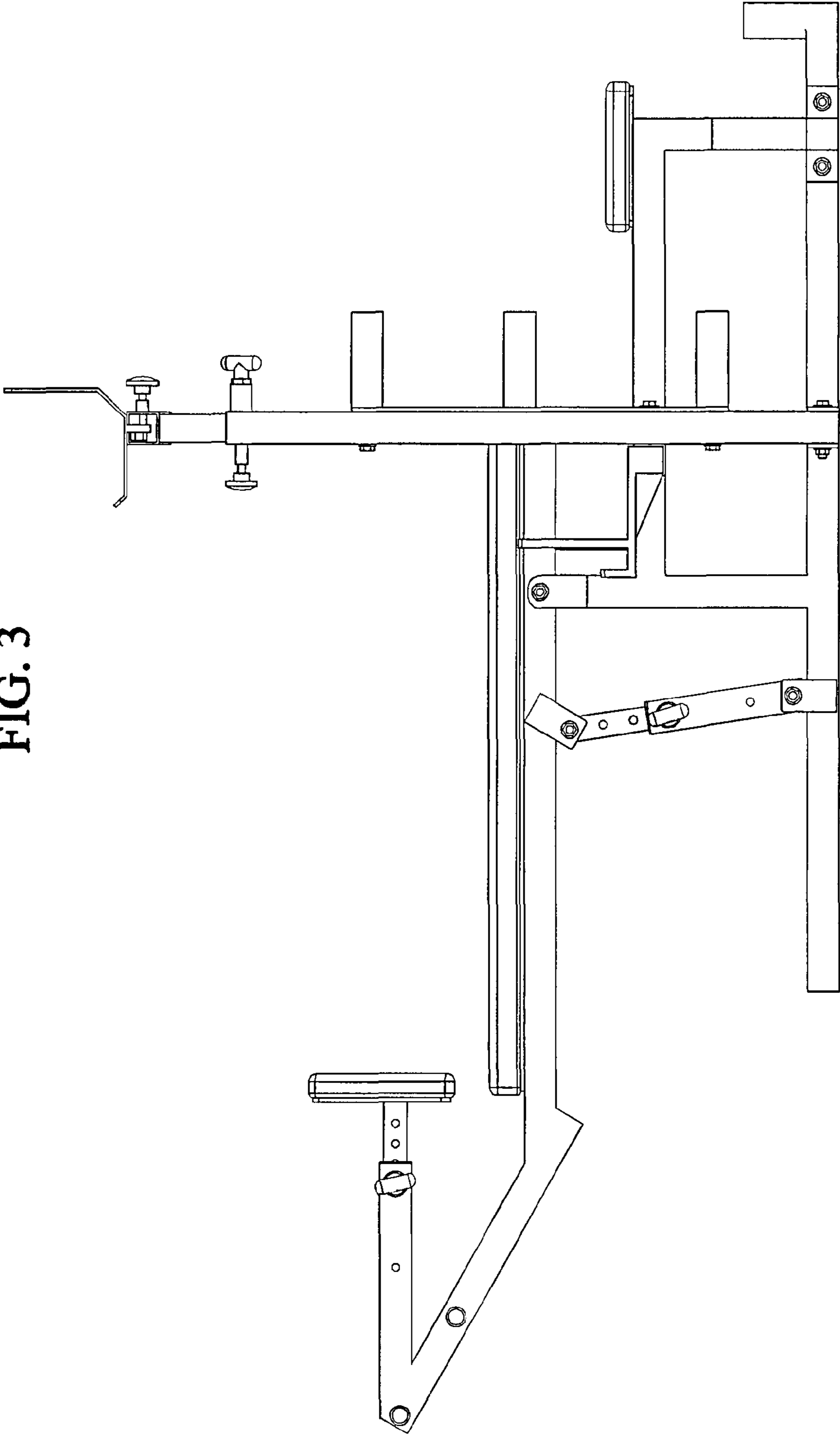


FIG. 2

FIG. 3



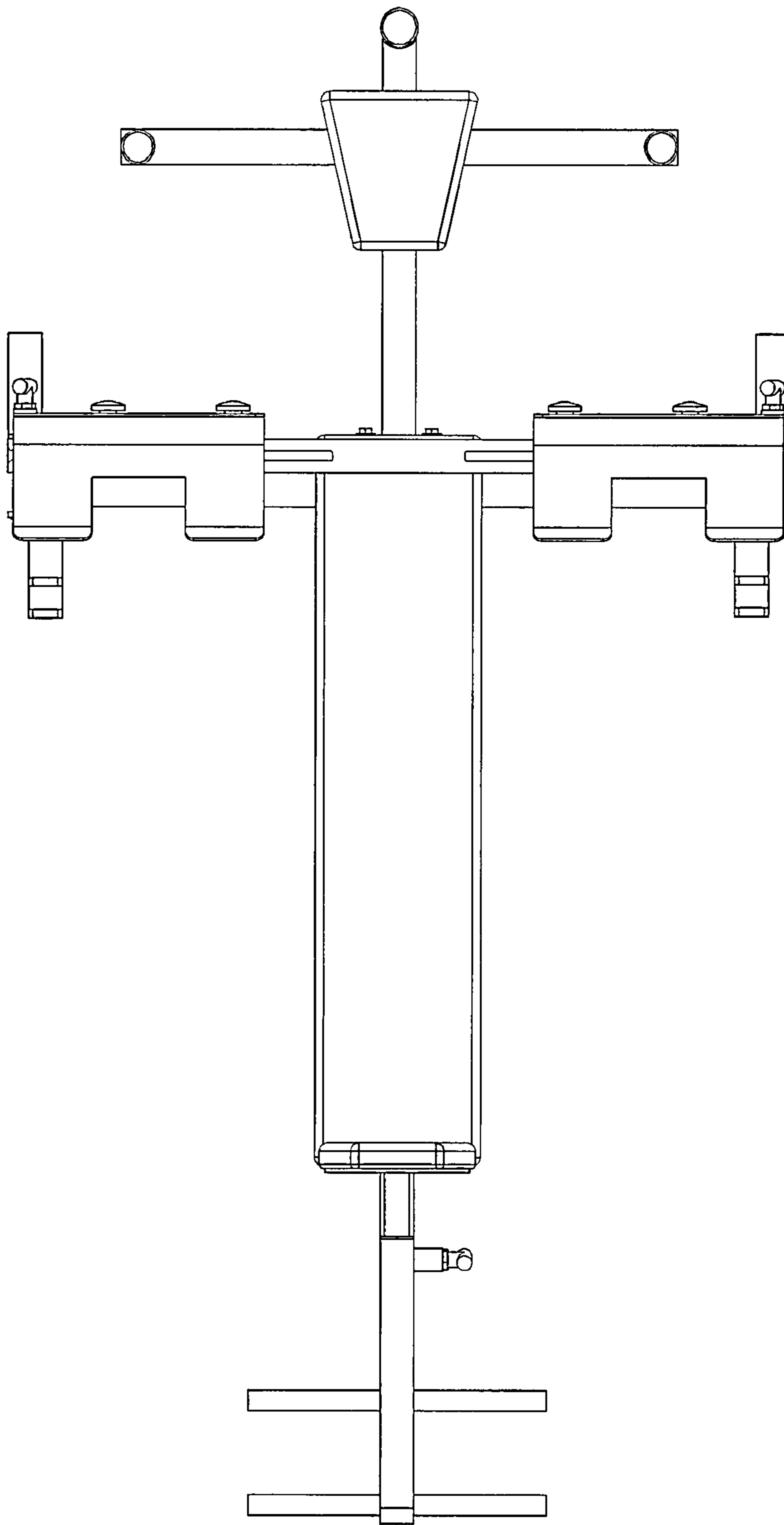


FIG. 4

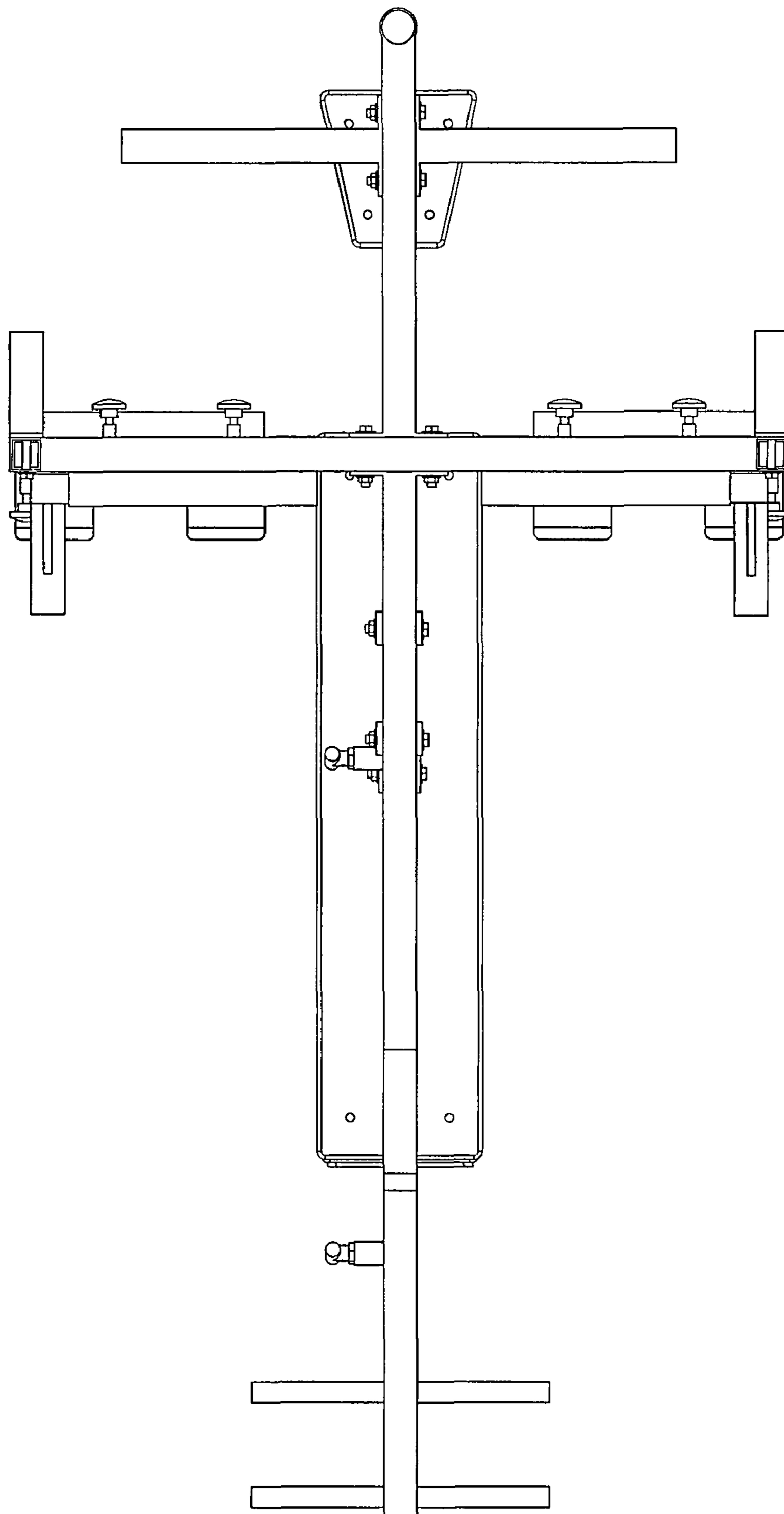


FIG. 5

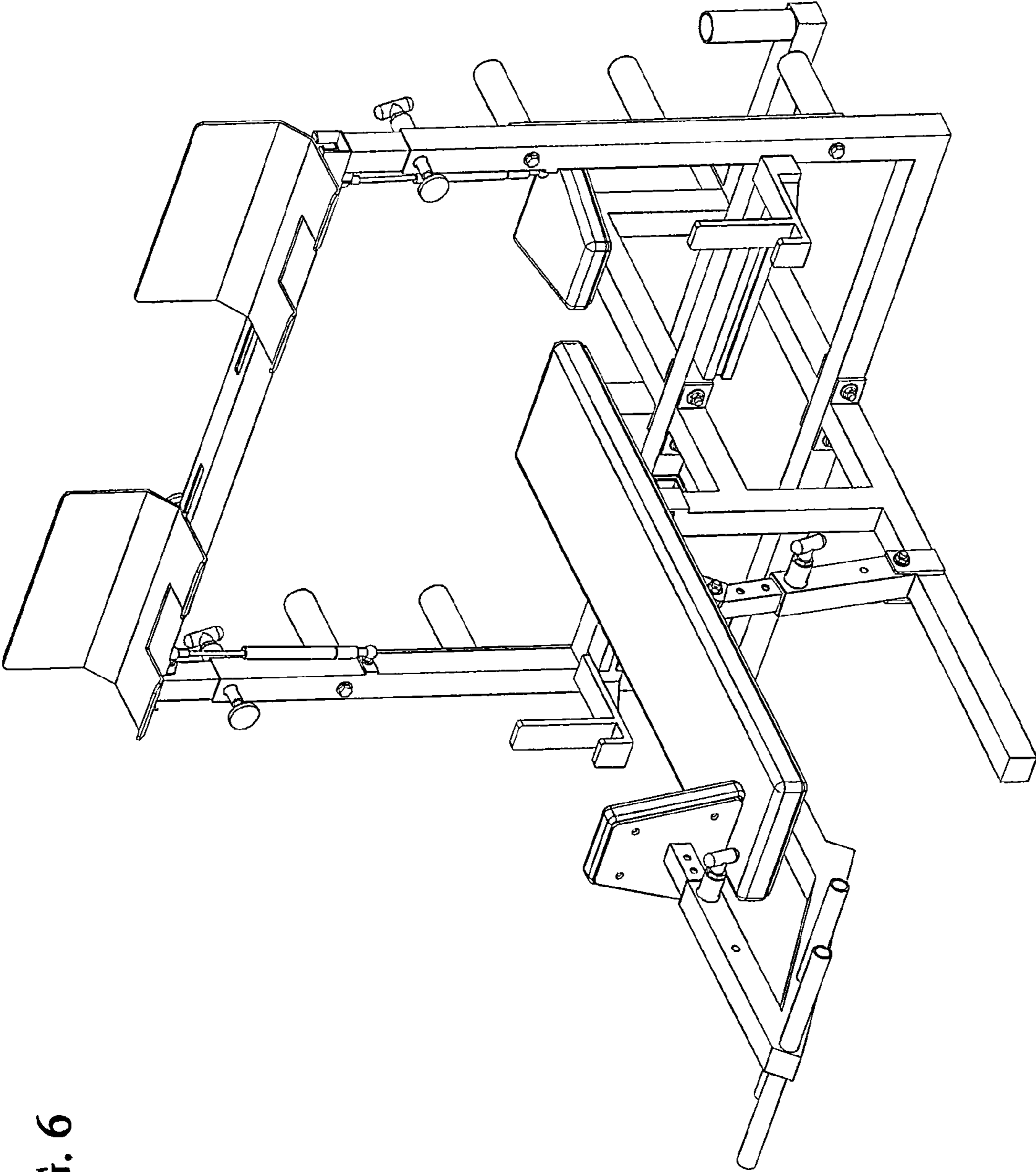


FIG. 6

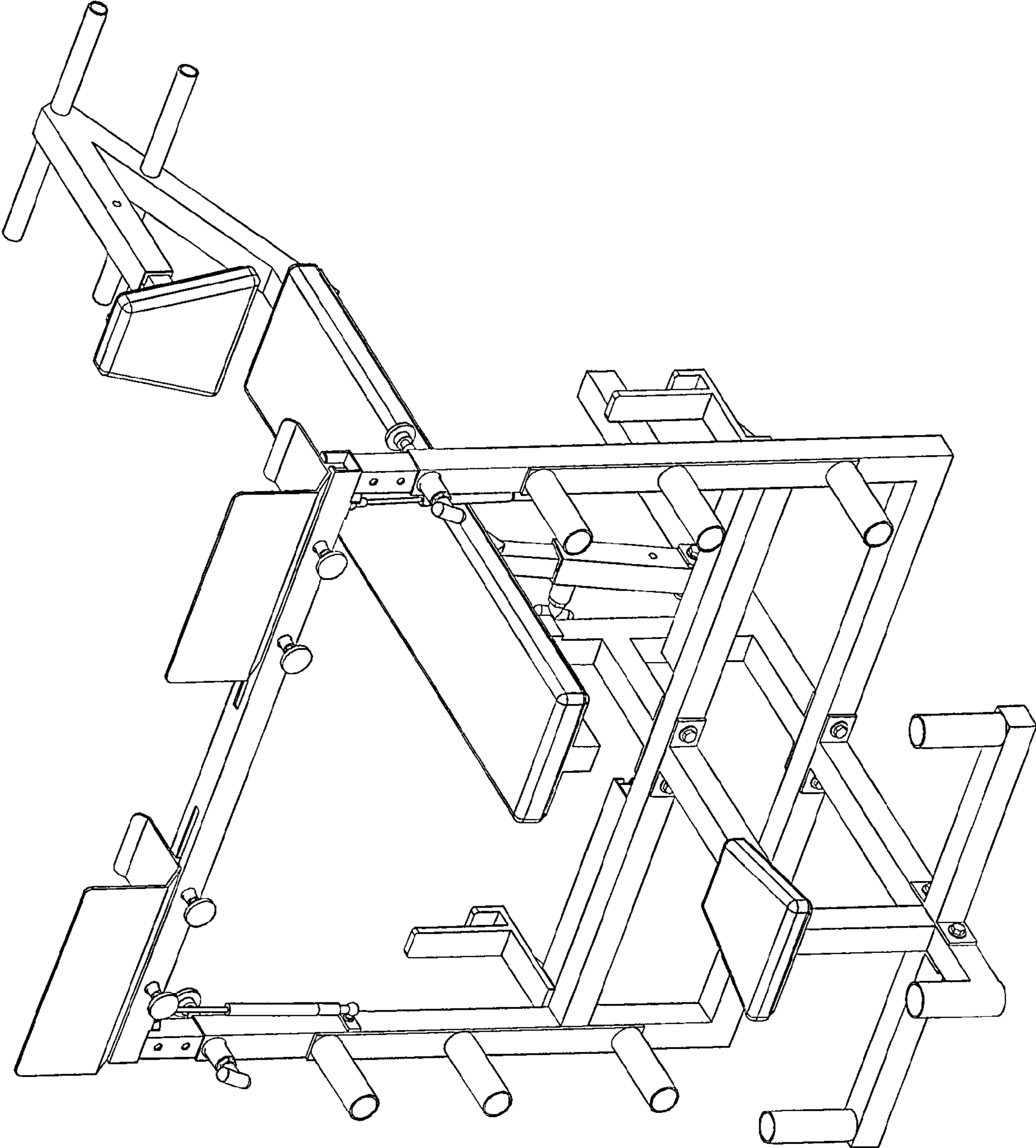


FIG. 7