



US00D678960S

(12) **United States Design Patent**
Tamura

(10) **Patent No.:** **US D678,960 S**

(45) **Date of Patent:** **** Mar. 26, 2013**

(54) **DOLL HOUSE**

(75) **Inventor:** **Sachiko Tamura, Tokyo (JP)**

(73) **Assignee:** **Epoch Company Ltd., Tokyo (JP)**

(**) **Term:** **14 Years**

(21) **Appl. No.:** **29/419,295**

(22) **Filed:** **Apr. 26, 2012**

(30) **Foreign Application Priority Data**

Oct. 28, 2011 (JP) 2011-024941

(51) **LOC (9) Cl.** **21-01**

(52) **U.S. Cl.** **D21/507**

(58) **Field of Classification Search** D21/506,
D21/507, 511, 820, 825, 827, 831; D25/33;
D99/30; 446/69, 75, 110, 476, 477, 478,
446/479

See application file for complete search history.

(56) **References Cited**

U.S. PATENT DOCUMENTS

D241,961 S *	10/1976	Bollinger	D21/507
D246,393 S *	11/1977	Satten	D21/511
D280,999 S *	10/1985	Cavnar	D21/507
D287,740 S *	1/1987	Orenstein	D21/507
D291,937 S *	9/1987	Fisher	D99/30
D327,922 S *	7/1992	Terrazas et al.	D21/507
D353,434 S *	12/1994	Gilman et al.	D21/507
5,722,874 A *	3/1998	Horton et al.	446/476

D427,249 S *	6/2000	Dove	D21/507
D490,207 S *	5/2004	Stoll et al.	D99/30
D612,516 S *	3/2010	Stainton	D25/33
7,921,601 B2 *	4/2011	Henry et al.	47/83

* cited by examiner

Primary Examiner — Cynthia M Chin

(74) *Attorney, Agent, or Firm* — The Marbury Law Group, PLLC

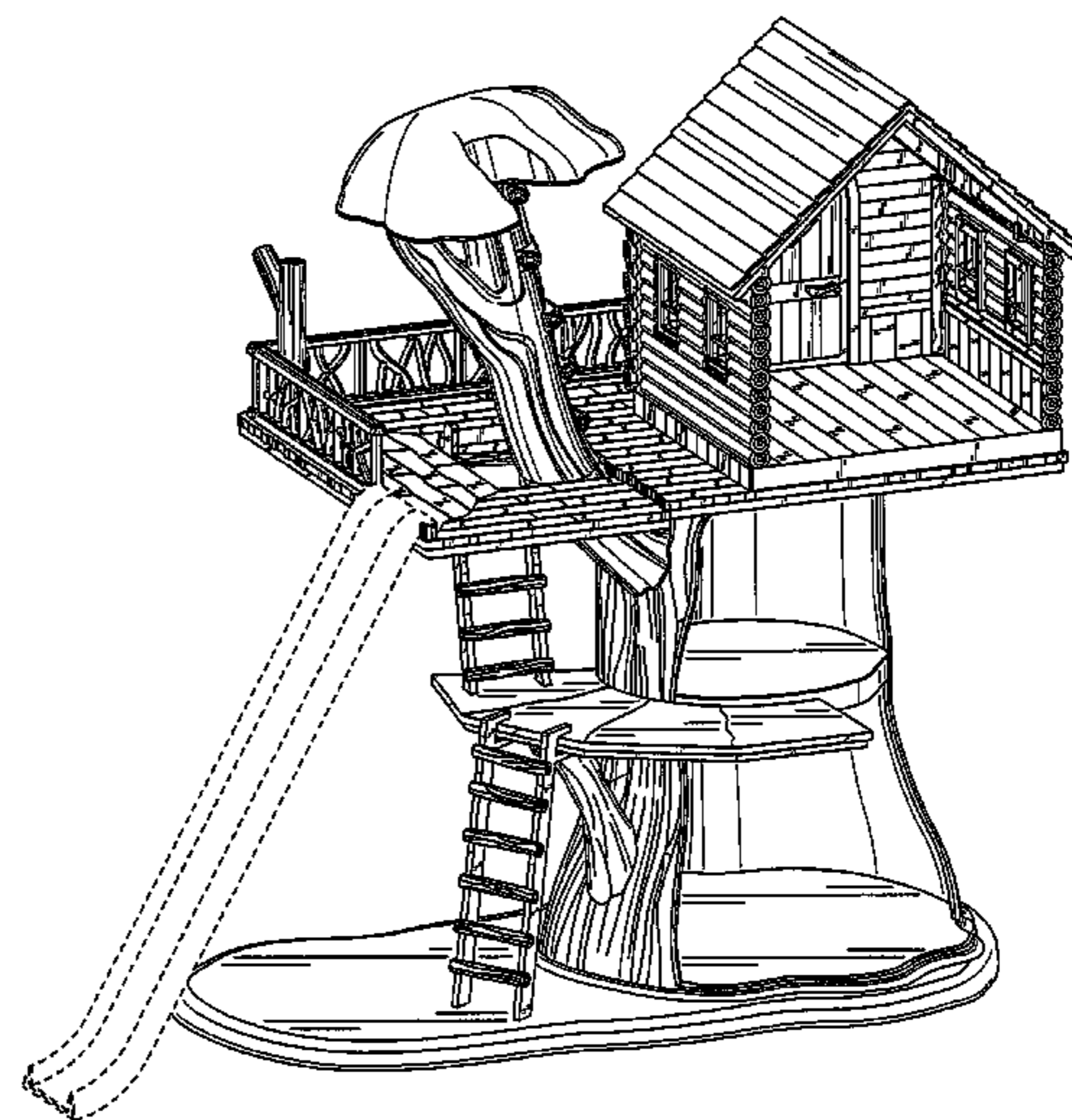
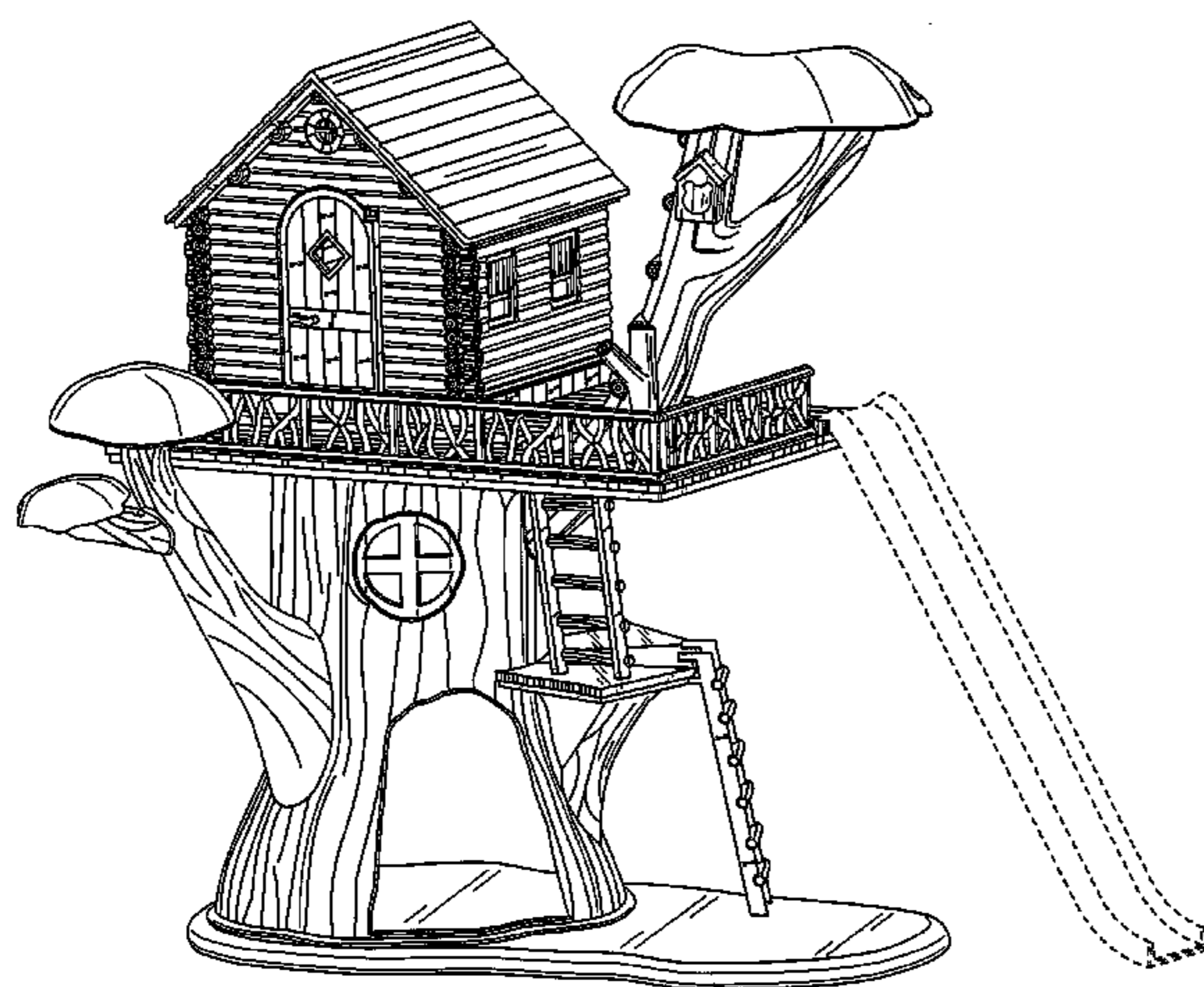
(57) **CLAIM**

The ornamental design for a doll house, as shown and described.

DESCRIPTION

FIG. 1 is a front view of the doll house design.
 FIG. 2 is a rear view of the doll house design.
 FIG. 3 is a top view of the doll house design.
 FIG. 4 is a bottom view of the doll house design.
 FIG. 5 is a left side view of the doll house design.
 FIG. 6 is a right side view of the doll house design.
 FIG. 7 is a front/left side perspective view of the doll house design.
 FIG. 8 is a rear/left side perspective view of the doll house design; and,
 FIG. 9 is a front/right side perspective view of the doll house design with the door open.
 The broken lines shown in the figures represent portions of the doll house that form no part of the claim.

1 Claim, 9 Drawing Sheets



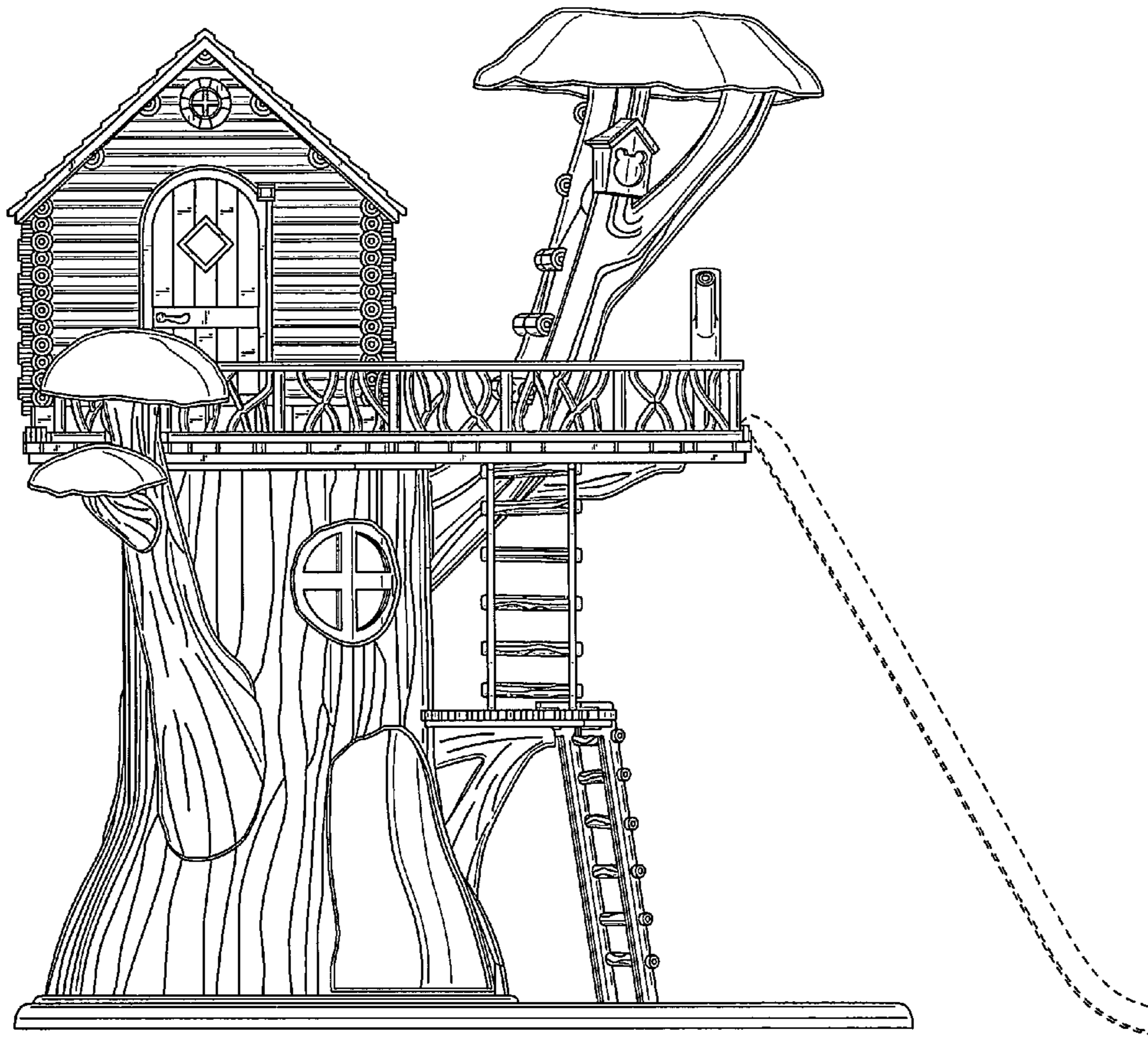


FIG. 1

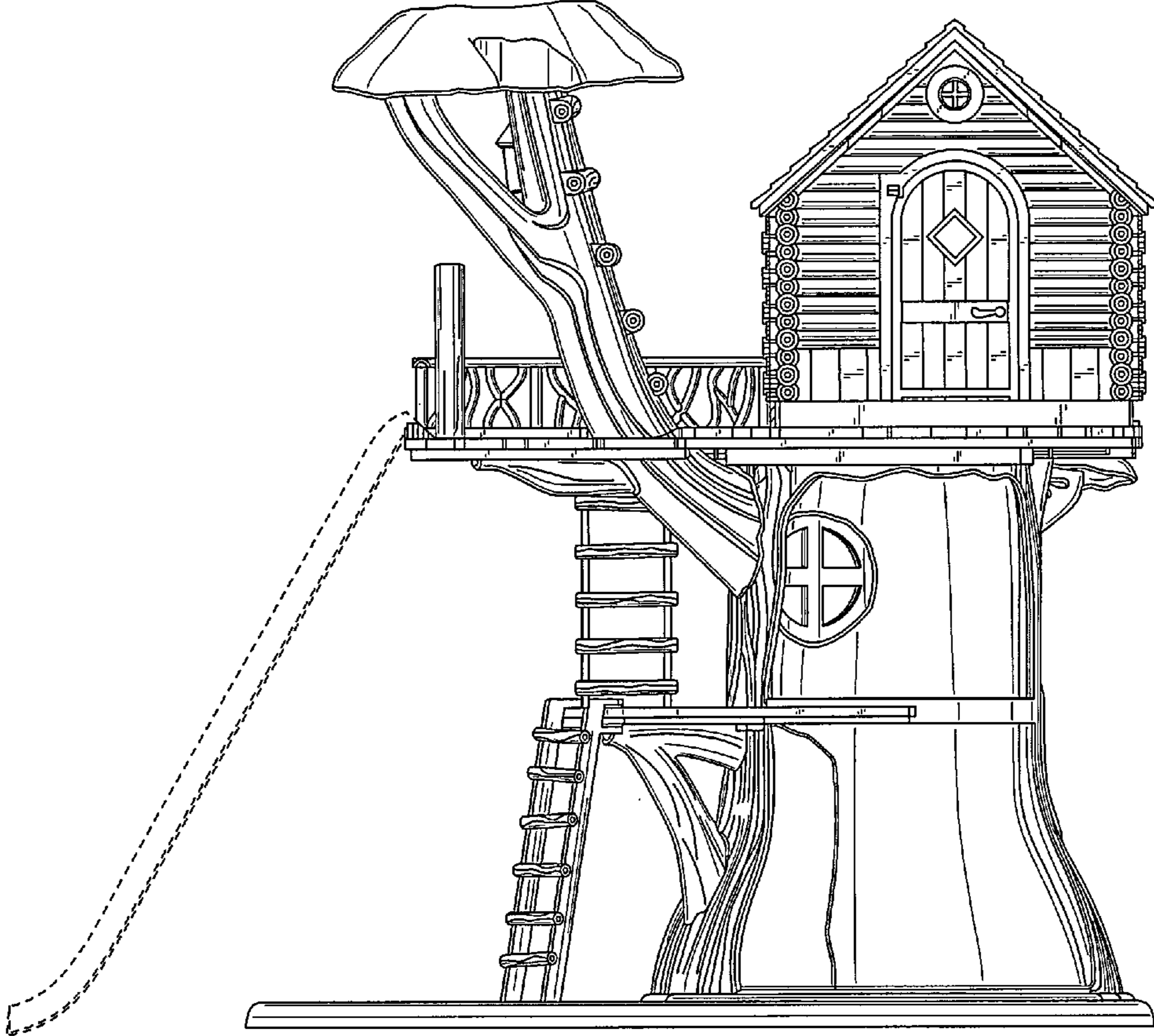


FIG. 2

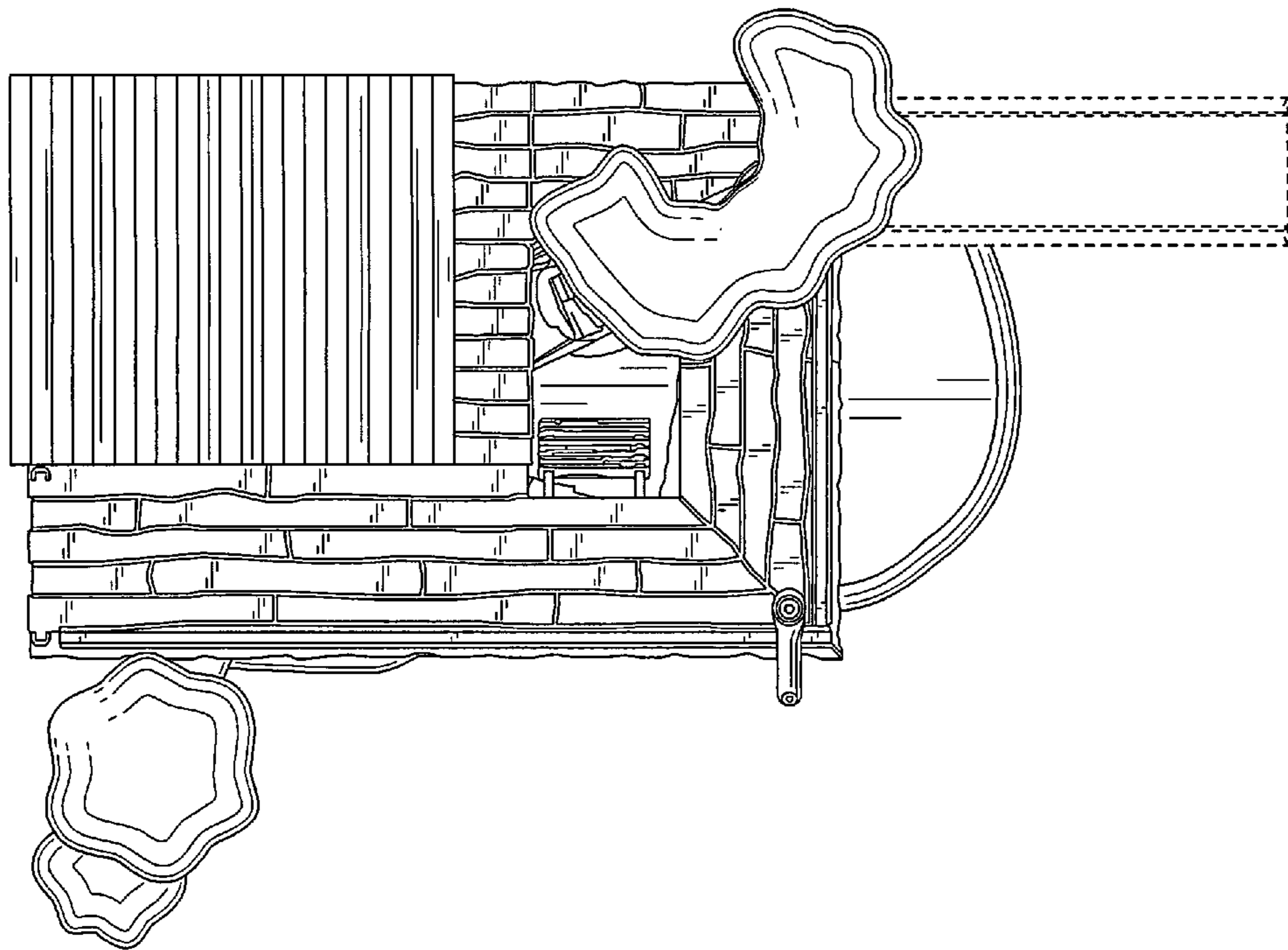


FIG. 3

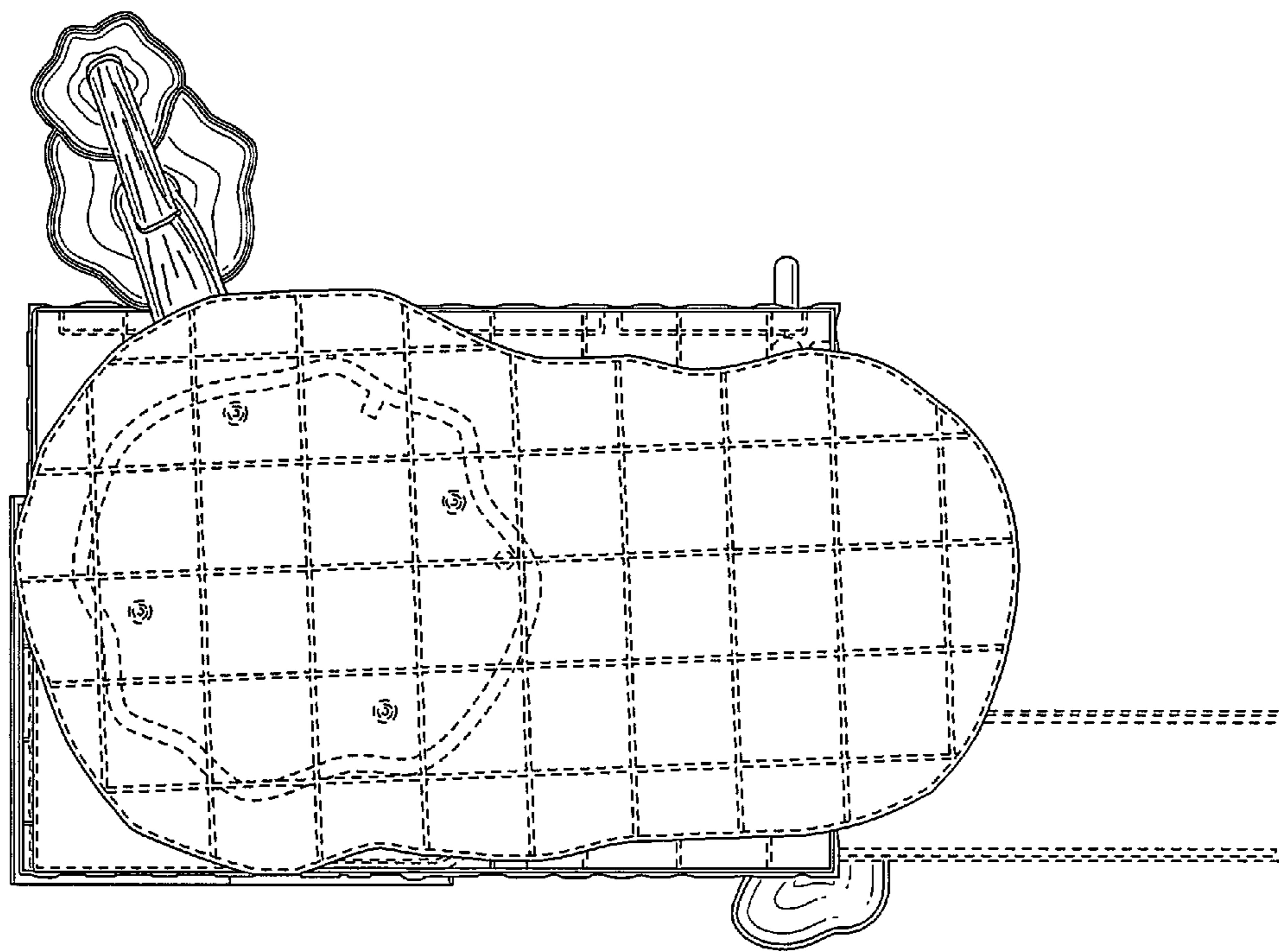


FIG. 4

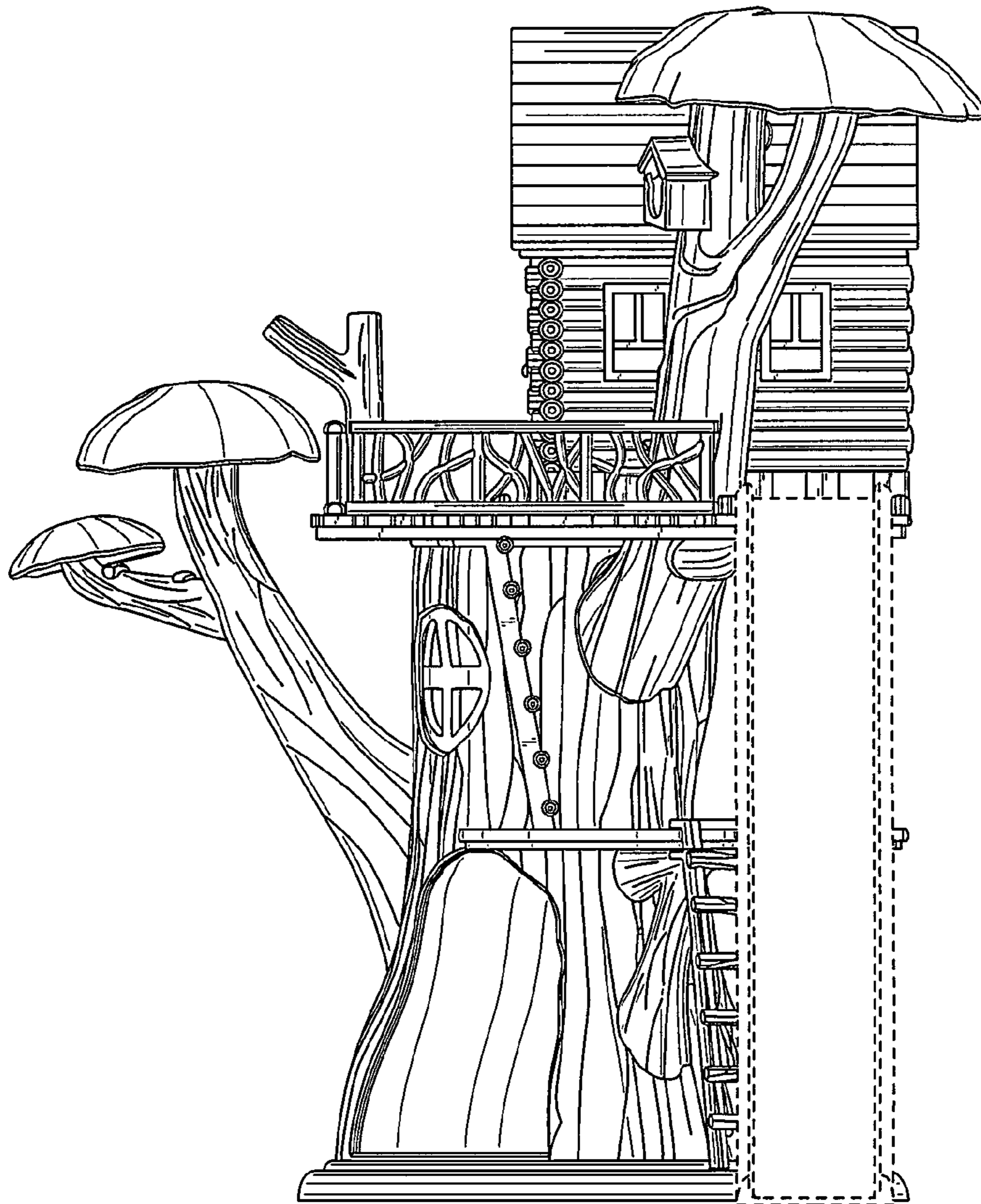


FIG. 5

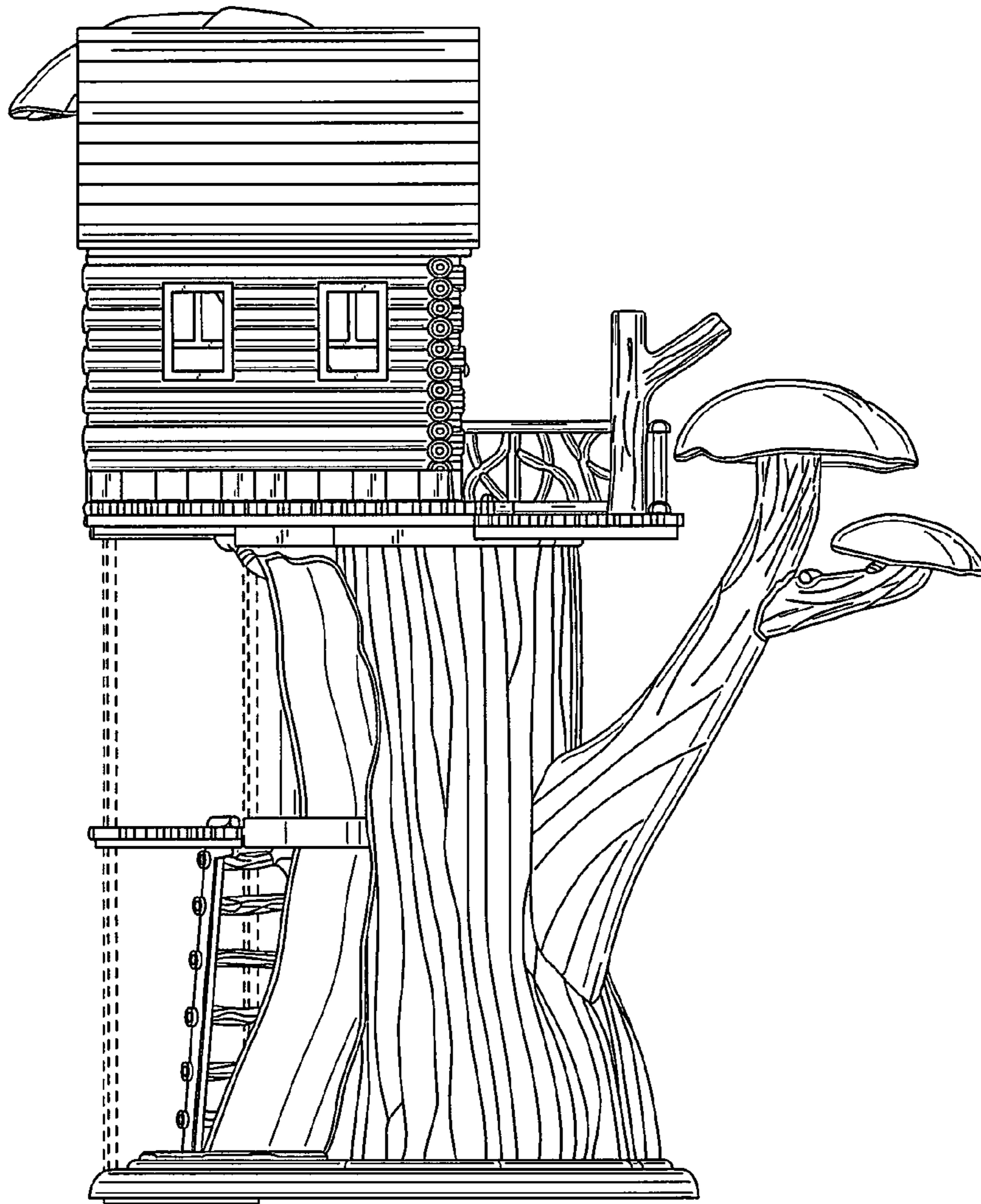


FIG. 6

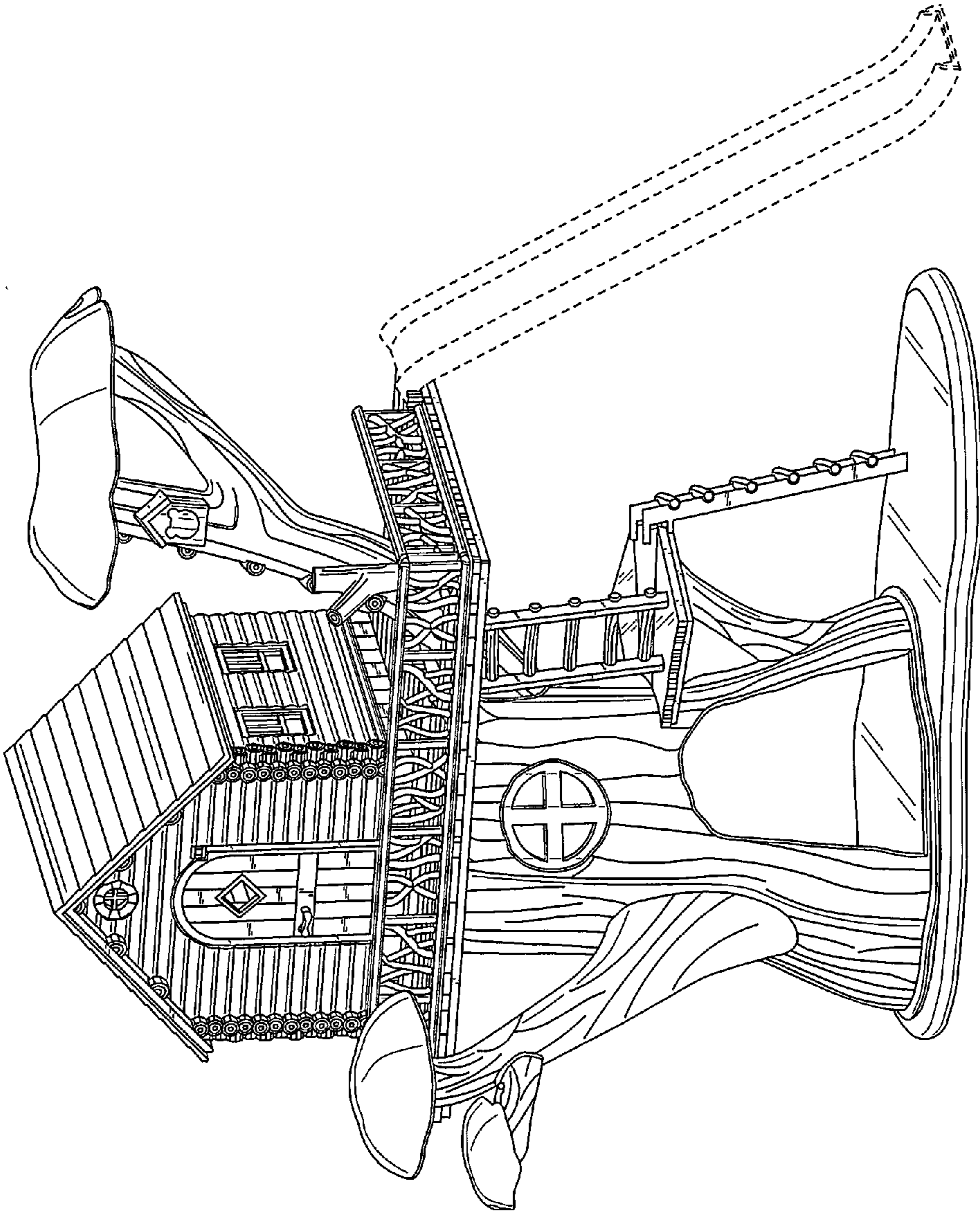


FIG. 7

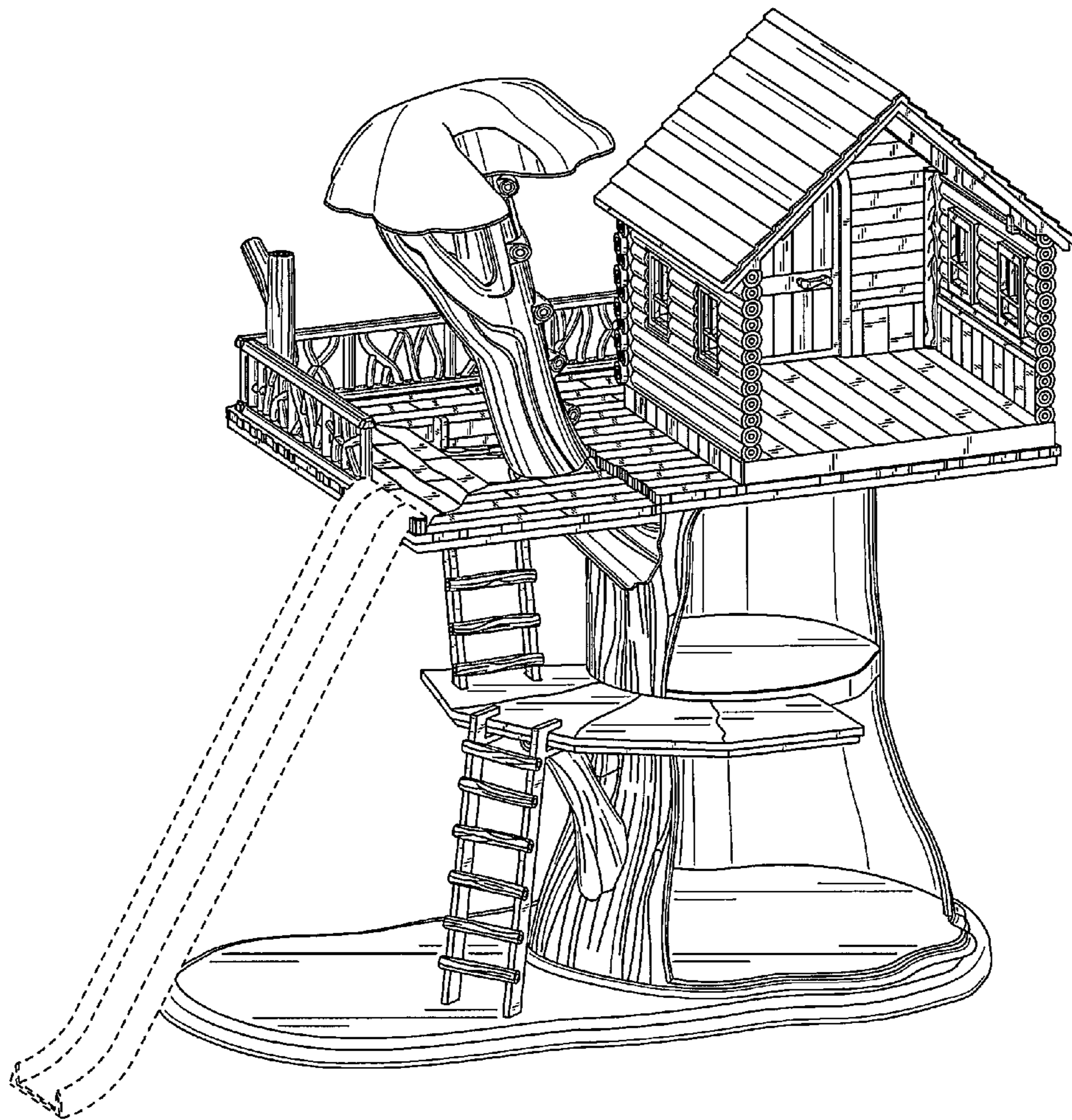


FIG. 8

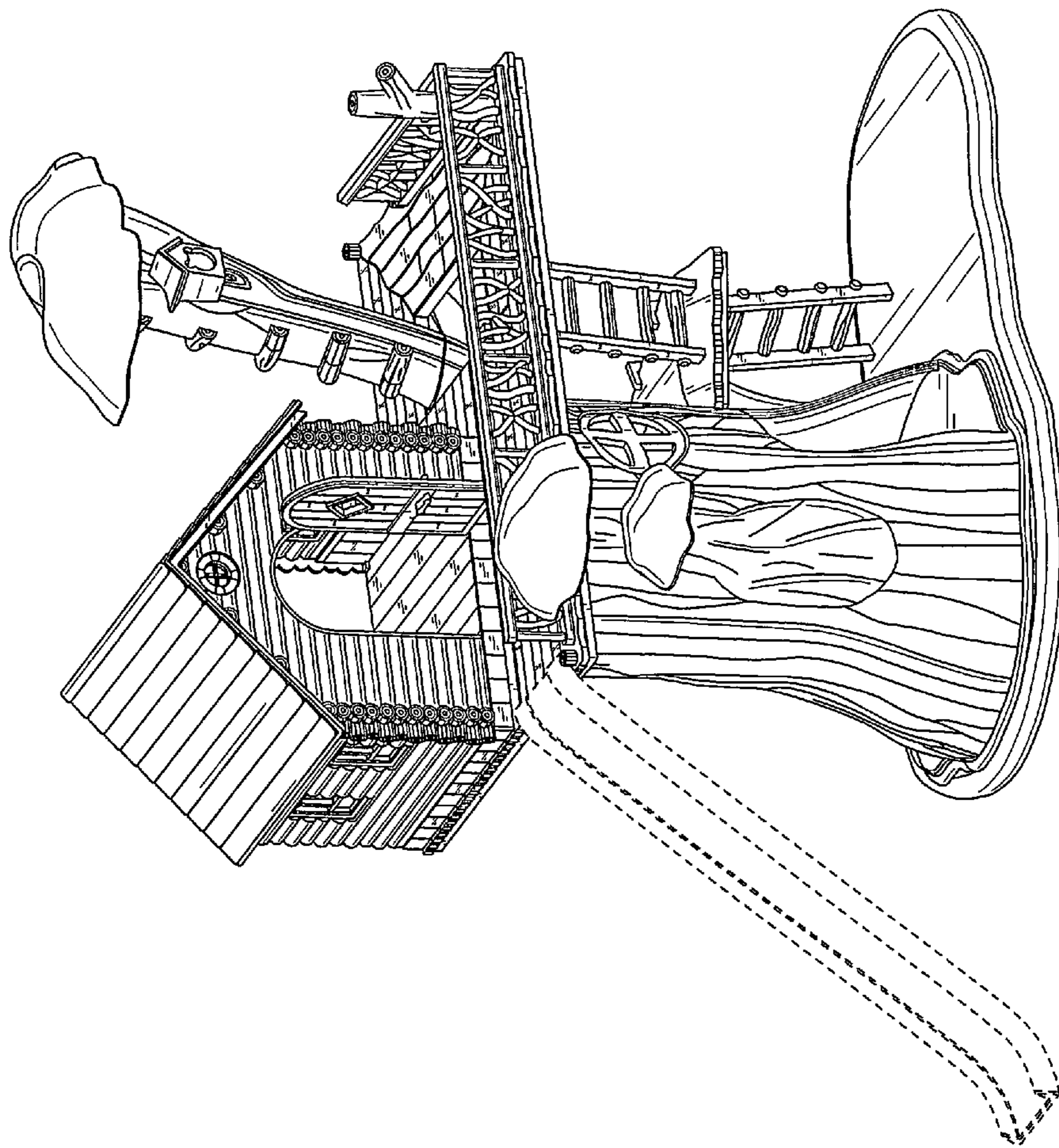


FIG. 9