



US00D678959S

(12) **United States Design Patent**
Ventola

(10) **Patent No.:** **US D678,959 S**

(45) **Date of Patent:** **** Mar. 26, 2013**

(54) **FLYING DISC**

(76) Inventor: **Jeffrey Ventola**, Malden, MA (US)

(**) Term: **14 Years**

(21) Appl. No.: **29/405,065**

(22) Filed: **Oct. 28, 2011**

(51) **LOC (9) Cl.** **21-02**

(52) **U.S. Cl.** **D21/443; D21/437**

(58) **Field of Classification Search** D12/319,
D12/320, 321, 325; D21/301, 312, 436,
D21/437, 441, 443, 444; 244/12.2, 23 C;
273/348, 359, 362; 446/46, 47, 48, 230,
446/231, 236, 240; 473/588, 589, 590, 591
See application file for complete search history.

(56) **References Cited**

U.S. PATENT DOCUMENTS

4,315,629	A	2/1982	English	
4,479,655	A *	10/1984	Adler	473/589
4,560,358	A *	12/1985	Adler	446/46
D285,461	S *	9/1986	Adler	D21/437
4,819,947	A	4/1989	Mackey	
D315,372	S *	3/1991	Weiss	D21/444

D380,017	S *	6/1997	McGowan et al.	D21/443
6,398,159	B1	6/2002	Di Stefano	
6,443,862	B1 *	9/2002	Darnell	473/590
D464,088	S	10/2002	Hu	
6,599,163	B1 *	7/2003	Kotsonis et al.	446/46
6,709,308	B2	3/2004	Kaisio	
D502,225	S *	2/2005	Kotsonis et al.	D21/444
D509,259	S	9/2005	Dennis	
7,255,623	B2	8/2007	Davis	
D552,690	S	10/2007	Shi	

* cited by examiner

Primary Examiner — Janice Seeger

Assistant Examiner — Martie K Holtje

(74) *Attorney, Agent, or Firm* — Bay State IP, LLC; Janine Geraigery

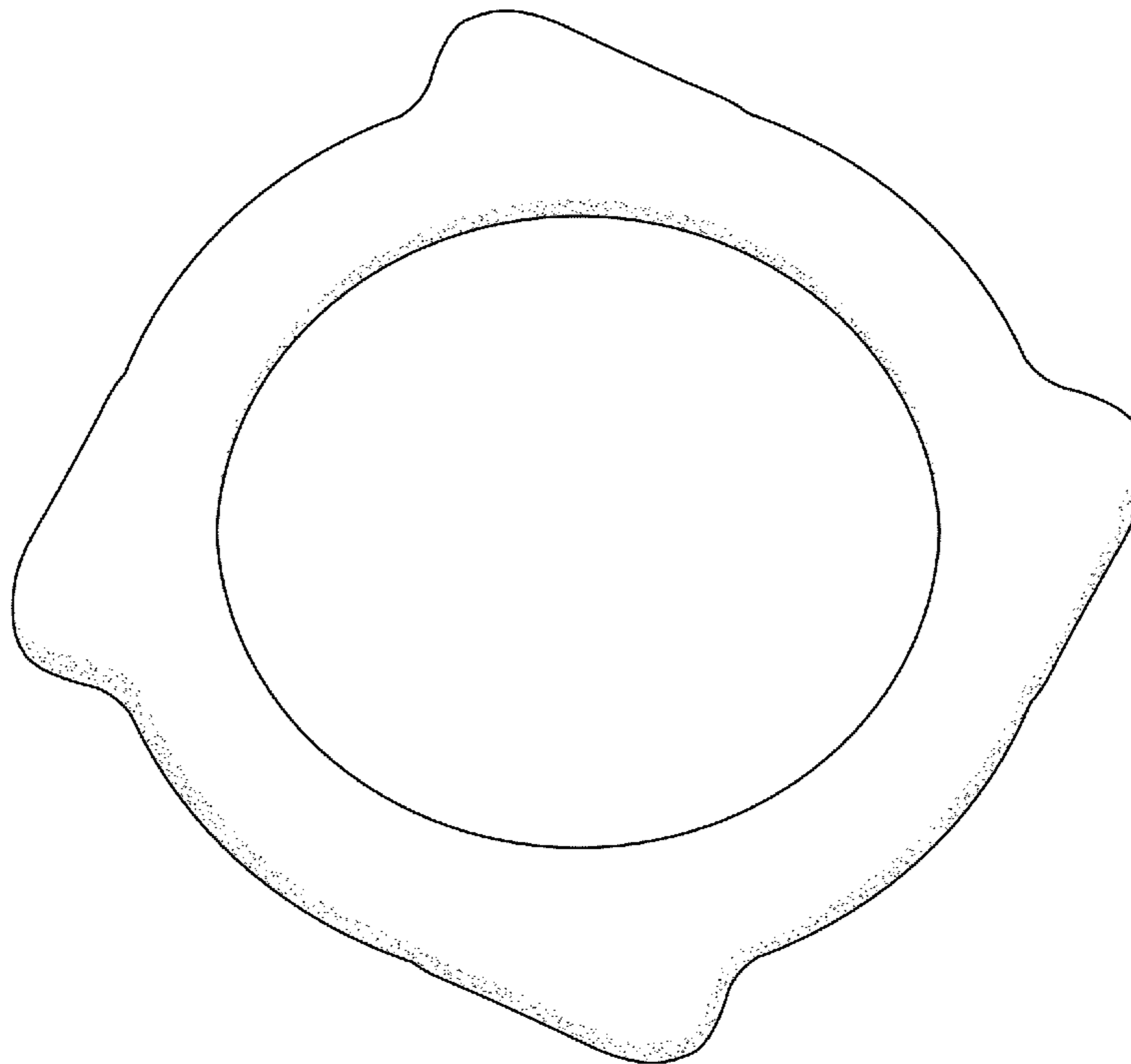
(57) **CLAIM**

The ornamental design for flying disc, as shown and described.

DESCRIPTION

FIG. 1 is a perspective view of the flying disc;
FIG. 2 is a side view thereof; and,
FIG. 3 is top plan view thereof, wherein the bottom plan view
is a mirror image thereof.

1 Claim, 2 Drawing Sheets



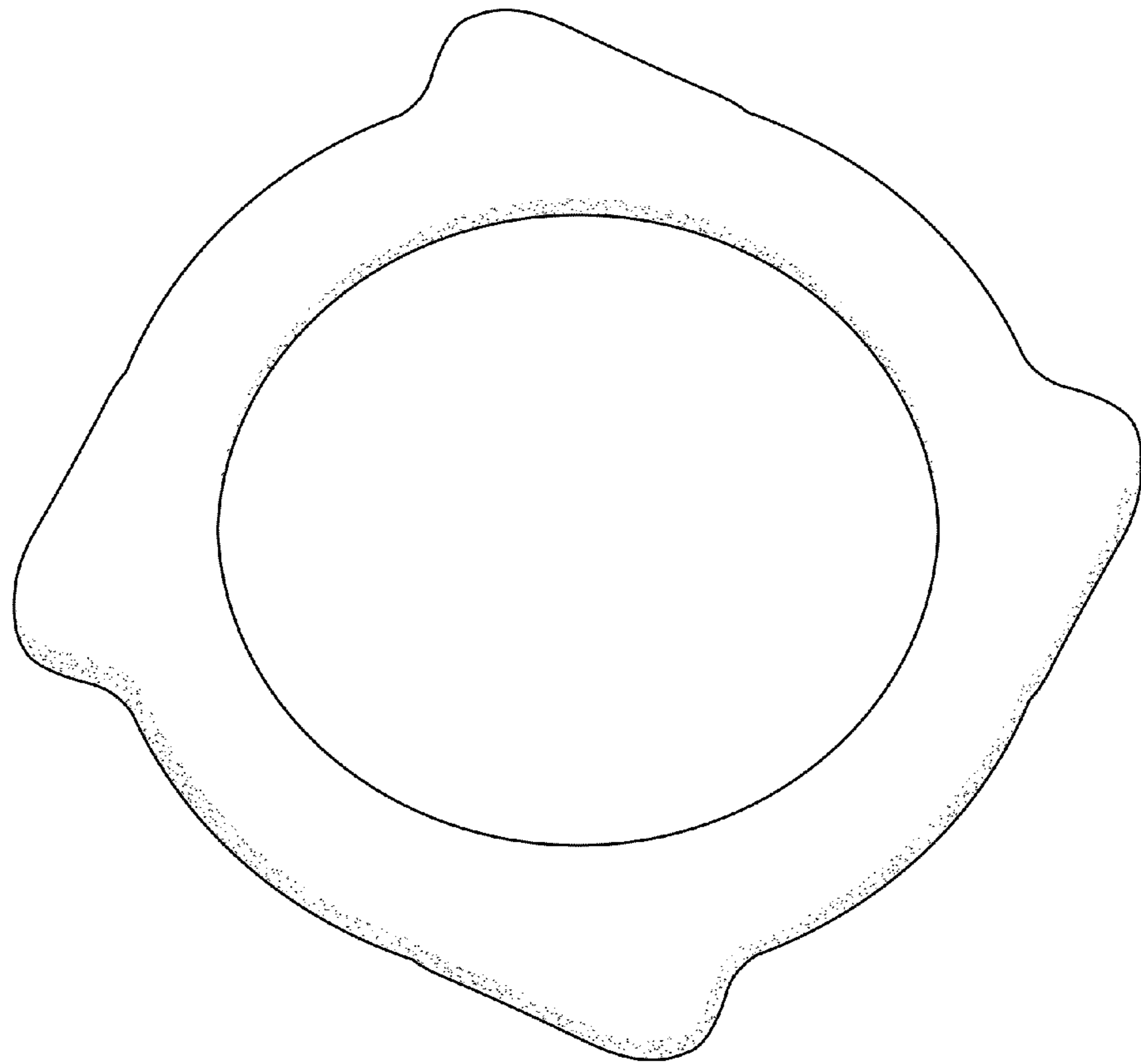


Fig. 1

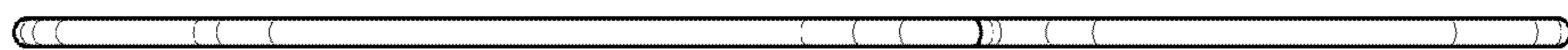


Fig. 2

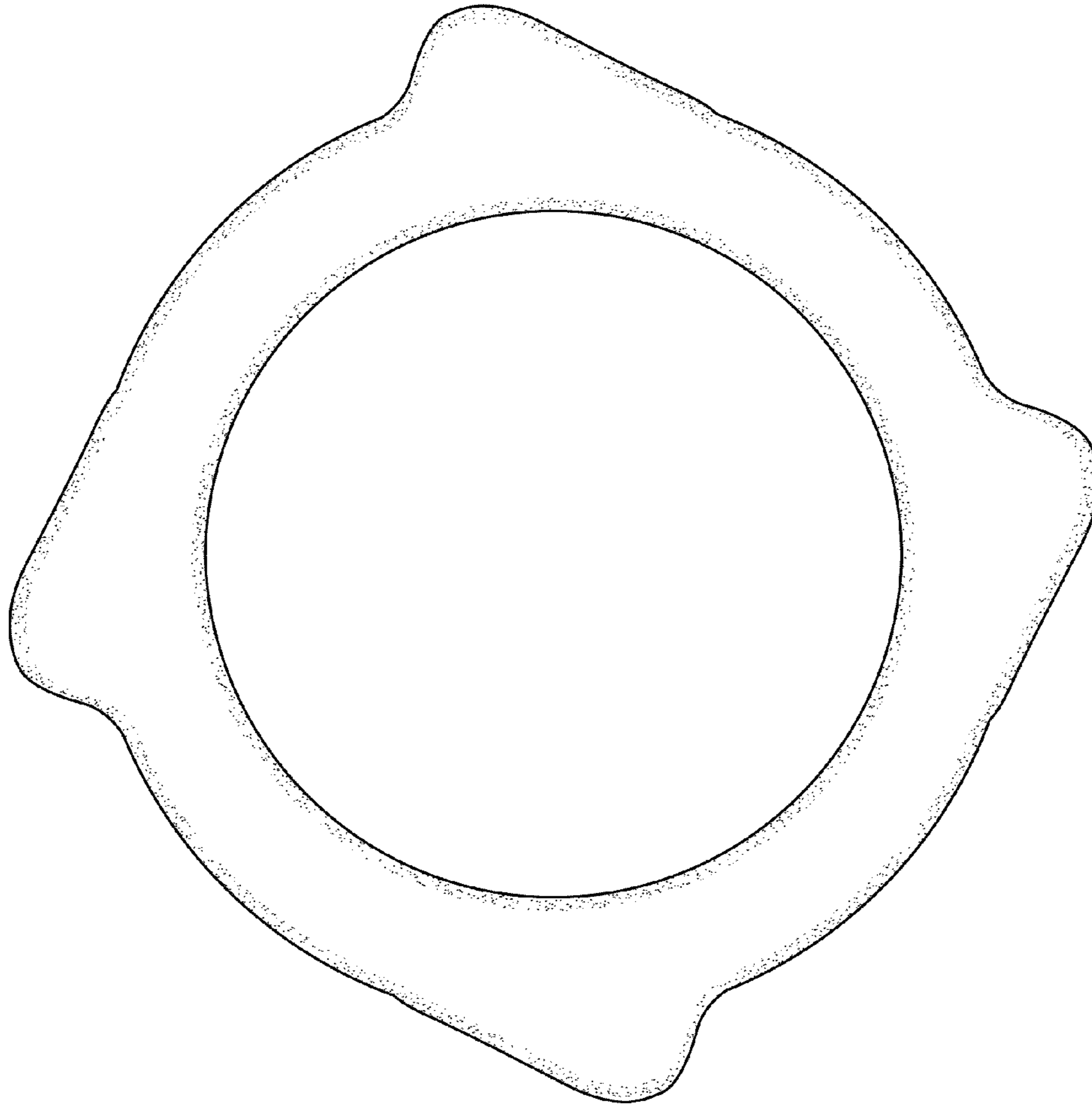


Fig. 3