



US00D678955S

(12) **United States Design Patent**  
**Lesley et al.**

(10) **Patent No.:** **US D678,955 S**  
(45) **Date of Patent:** **\*\* Mar. 26, 2013**

(54) **GAMING MACHINE**  
(75) Inventors: **Paul M. Lesley**, Blue Island, IL (US);  
**Larry J. Pacey**, Chicago, IL (US);  
**Norman R. Wurz**, Des Plaines, IL (US)  
(73) Assignee: **WMS Gaming Inc.**, Waukegan, IL (US)  
(\*\*) Term: **14 Years**  
(21) Appl. No.: **29/402,710**  
(22) Filed: **Sep. 26, 2011**  
(51) **LOC (9) Cl.** ..... **21-03**  
(52) **U.S. Cl.** ..... **D21/385**  
(58) **Field of Classification Search** ..... D21/324–329,  
D21/369–370, 385; 463/17, 20, 46–47;  
D14/306–307, 127  
See application file for complete search history.

5,114,112 A 5/1992 Infanti ..... 248/500  
5,120,058 A 6/1992 Trudeau et al. .... 773/121 R  
5,123,647 A 6/1992 Lawlor et al. .... 273/121 A  
5,143,055 A 9/1992 Eakin ..... 601/47  
5,149,094 A 9/1992 Tastad ..... 273/121 A  
D333,164 S 2/1993 Kraft et al. .... D21/325  
5,193,807 A 3/1993 Schilling et al. .... 273/121 R  
5,195,746 A 3/1993 Boyd et al. .... 463/37  
D335,150 S 4/1993 Biagi et al. .... D21/48  
5,226,653 A 7/1993 Bil et al. .... 273/121 A  
5,232,191 A 8/1993 Infanti ..... 248/500  
5,290,034 A 3/1994 Hineman ..... 273/148  
5,297,793 A 3/1994 DeMar et al. .... 273/129 V  
5,316,303 A 5/1994 Trudeau et al. .... 273/121 A

(Continued)

**FOREIGN PATENT DOCUMENTS**

EP 649 671 A1 4/1995  
JP 03210172 B2 2/1993

**OTHER PUBLICATIONS**

Product Sheet for “American Eagle,” Eagle Co. Ltd., 2 pages, (1997).

(Continued)

(56) **References Cited**

**U.S. PATENT DOCUMENTS**

2,661,954 A 12/1953 Koci ..... 463/57  
D236,720 S 9/1975 Baker ..... D21/370  
D238,379 S \* 1/1976 Miller ..... D21/327  
4,046,419 A 9/1977 Schmitt ..... 297/153  
D264,485 S 5/1982 Kitchen ..... D21/370  
4,373,725 A 2/1983 Ritchie ..... 273/121  
D275,772 S 10/1984 Akopian et al. .... D21/13  
D280,835 S 10/1985 Berge et al. .... D21/13  
D280,836 S 10/1985 Ludzia et al. .... D21/13  
4,606,545 A 8/1986 Ritchie ..... 273/121  
4,705,274 A 11/1987 Lubeck ..... 273/148  
4,840,343 A 6/1989 Gasser ..... 248/500  
4,861,037 A 8/1989 Oursler ..... 273/121 D  
4,960,117 A 10/1990 Moncrief et al. .... 463/46  
4,981,298 A 1/1991 Lawlor et al. .... 273/121 A  
D315,110 S 3/1991 Slater ..... D10/88  
5,015,189 A 5/1991 Wenzinger et al. .... 434/63  
5,074,558 A 12/1991 Bleich et al. .... 273/121 A  
5,083,738 A 1/1992 Infanti ..... 248/500  
5,091,677 A 2/1992 Bleich et al. .... 315/360  
5,102,192 A 4/1992 Barile ..... 297/257  
5,110,120 A 5/1992 Smolucha ..... 273/121 R

*Primary Examiner* — Sandra Morris

(74) *Attorney, Agent, or Firm* — Nixon Peabody LLP

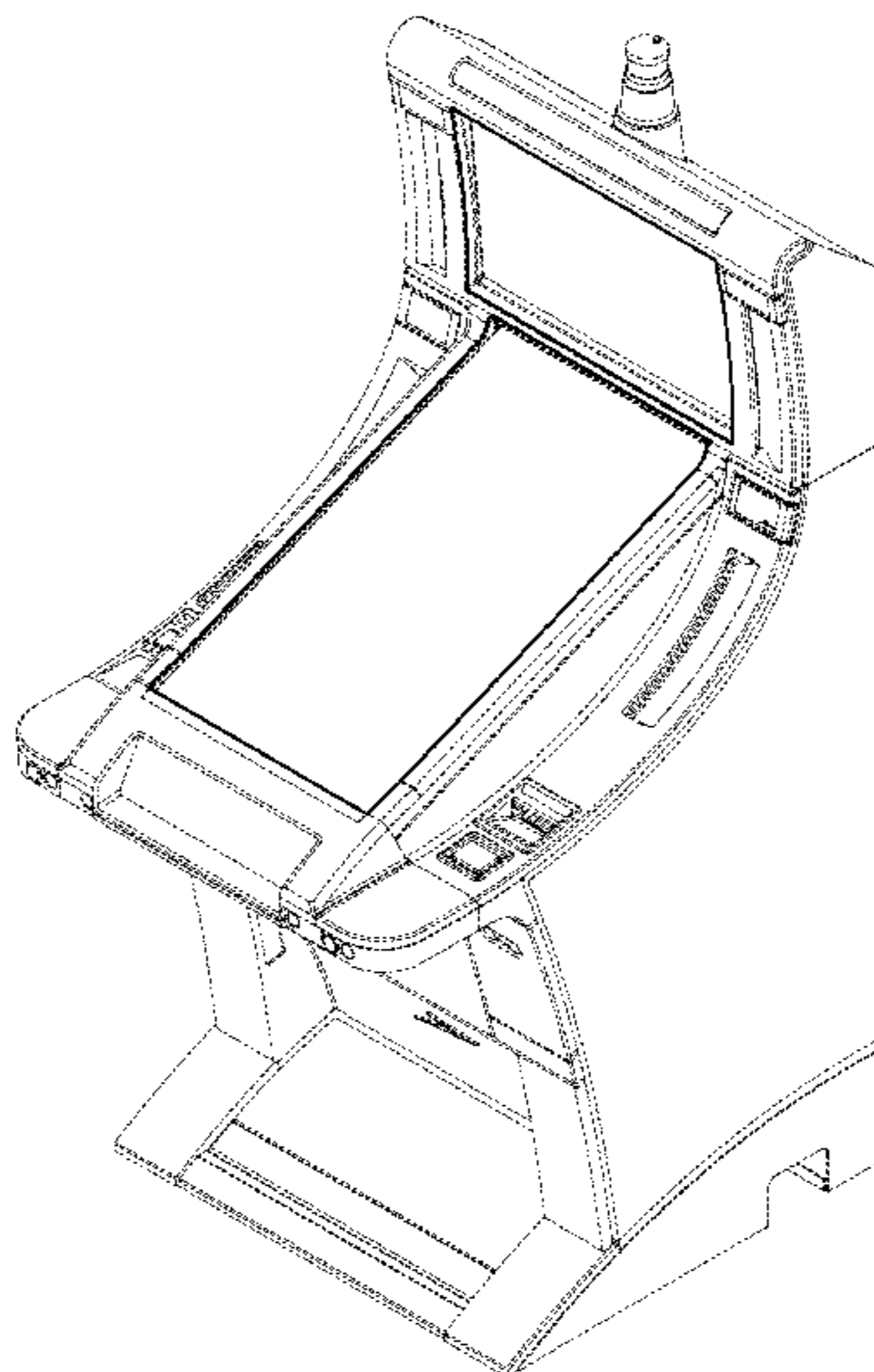
(57) **CLAIM**

We claim the ornamental design for a “gaming machine,” as shown and described.

**DESCRIPTION**

FIG. 1 is an isometric view of a gaming machine.  
FIG. 2 is a front view of the gaming machine shown in FIG. 1.  
FIG. 3 is a left view of the gaming machine shown in FIG. 1.  
FIG. 4 is a right view of the gaming machine shown in FIG. 1;  
and,  
FIG. 5 is a top view of the gaming machine shown in FIG. 1.  
The broken lines are only for illustrative purposes to show visible environmental structure and form no part of the claimed design.

**1 Claim, 5 Drawing Sheets**





# US D678,955 S

U.S. PATENT DOCUMENTS									
5,322,283	A	6/1994	Ritchie et al.	273/177	6,210,279	B1	4/2001	Dickinson	463/37
5,350,174	A	9/1994	Ritchie et al.	273/121 A	6,224,482	B1	5/2001	Bennett	463/20
D351,869	S	10/1994	Rothschild et al.	D21/37	6,227,614	B1	5/2001	Rubin	297/172
5,351,954	A	10/1994	Oursler et al.	273/127 R	6,227,970	B1	5/2001	Shimizu et al.	463/20
5,357,104	A	10/1994	Bleich	250/229	D443,313	S	6/2001	Brettschneider	D21/369
5,358,241	A	10/1994	Anghelo et al.	273/118 R	D446,252	S	8/2001	Yamaguchi	D21/325
5,358,242	A	10/1994	Trudeau et al.	273/119 R	6,283,546	B1	9/2001	Hill	297/271.1
5,358,243	A	10/1994	Eddy et al.	273/121 D	6,290,229	B1	9/2001	Perez	273/148
D352,738	S	11/1994	Anghelo et al.	D21/13	D450,094	S	11/2001	Hedrick et al.	D21/369
5,383,663	A	1/1995	Anghelo et al.	273/118 R	6,334,612	B1	1/2002	Wurz et al.	273/143 R
5,405,144	A	4/1995	Ritchie et al.	273/121 A	6,354,660	B1	3/2002	Friedrich	297/217.1
5,409,296	A	4/1995	Barile	297/344.1	D459,402	S	6/2002	Wurz et al.	D21/325
5,411,257	A	5/1995	Fulton	273/85	6,422,670	B1	7/2002	Hedrick et al.	312/223.1
5,415,402	A	5/1995	Morrison et al.	273/121 A	6,422,941	B1	7/2002	Thorner et al.	463/30
5,415,403	A	5/1995	Ritchie et al.	273/121 A	6,439,993	B1	8/2002	O'Halloran	463/16
5,417,425	A	5/1995	Oursler et al.	273/127 R	D463,504	S	9/2002	Stephan	D21/325
5,437,453	A	8/1995	Hineman	273/148	D464,377	S	10/2002	Wurz et al.	D21/325
5,465,963	A	11/1995	Patla, Sr.	273/118 R	D466,160	S	11/2002	Hirato et al.	D21/325
5,472,197	A	12/1995	Gwiasda et al.	273/143 R	D467,977	S	12/2002	Gatto et al.	D21/326
5,494,286	A	2/1996	DeMar et al.	273/121 A	D468,364	S	1/2003	Beadell et al.	D21/325
5,507,488	A	4/1996	Eddy et al.	273/127 R	6,530,842	B1	3/2003	Wells et al.	463/46
5,511,783	A	4/1996	Popadiuk	273/118 R	6,530,872	B2	3/2003	Freshland et al.	494/49
5,516,103	A	5/1996	Lawlor et al.	273/127 R	6,572,187	B2	6/2003	Laufer	297/217.1
5,522,641	A	6/1996	Infanti	297/344.13	6,589,114	B2	7/2003	Bradley	463/20
5,524,887	A	6/1996	Trudeau et al.	273/129 S	6,609,972	B2	8/2003	Seelig	463/20
5,533,726	A	7/1996	Nordman et al.	273/119 R	6,616,142	B2	9/2003	Adams	273/292
5,542,748	A	8/1996	Barlie	297/463.1	6,646,695	B1	11/2003	Gauselmann	349/58
D376,391	S	12/1996	Okumura	D21/326	D483,075	S	12/2003	Kang	D21/326
5,580,052	A	12/1996	Popadiuk et al.	273/127 R	6,715,756	B2	4/2004	Inoue	273/138
5,632,482	A	5/1997	Anghelo	273/121 R	D492,363	S	6/2004	Seelig et al.	D21/370
D380,014	S	6/1997	Yang	D21/370	D492,364	S	6/2004	Seelig et al.	D21/370
5,664,777	A	9/1997	Nordman et al.	273/127 R	D492,676	S	7/2004	Monson et al.	D14/306
5,669,818	A	9/1997	Thorner et al.	463/30	D493,843	S	8/2004	Jackson et al.	D21/327
5,678,886	A	10/1997	Infanti	297/217.3	D493,846	S	8/2004	Seelig et al.	D21/370
5,697,612	A	12/1997	Piotrowski et al.	273/127 R	D495,754	S	9/2004	Wurz et al.	D21/370
5,707,059	A	1/1998	Sullivan et al.	273/121 A	D495,755	S	9/2004	Wurz et al.	D21/370
5,720,480	A	2/1998	Lawlor et al.	273/118 A	D500,098	S	12/2004	Doi	D21/477
D395,436	S	6/1998	Scott et al.	D21/38	6,880,825	B2	4/2005	Seelig et al.	273/143 R
5,762,617	A	6/1998	Infanti	601/49	D508,268	S	8/2005	Hanchar et al.	D21/369
5,791,731	A	8/1998	Infanti	297/217.3	D508,269	S	8/2005	Wichinsky	D21/369
5,806,851	A	9/1998	Gomez et al.	273/121 A	D508,719	S	8/2005	de Haas	D21/369
5,820,460	A	10/1998	Fulton	463/13	D508,961	S	8/2005	Gatto et al.	D21/369
5,833,236	A	11/1998	Oursler et al.	273/127 R	D509,254	S	9/2005	Rasmussen et al.	D21/369
D407,759	S	4/1999	Isetani et al.	D21/326	D512,105	S	11/2005	Chitrapongse et al.	D21/370
D408,366	S	4/1999	Popadiuk	D13/58	6,997,810	B2	2/2006	Cole	463/46
5,890,715	A	4/1999	Gomez et al.	273/118 R	7,108,237	B2	9/2006	Gauselmann	248/220.22
5,899,454	A	5/1999	Eddy et al.	273/127 C	D531,677	S	11/2006	Mallory et al.	D21/369
5,924,690	A	7/1999	Kopera et al.	273/127 R	7,184,277	B2	2/2007	Beirne	361/807
5,934,672	A	8/1999	Sines et al.	273/143 R	D539,854	S	4/2007	Luciano et al.	D21/369
5,938,195	A	8/1999	Anghelo et al.	273/127 D	D549,785	S *	8/2007	Luciano et al.	D21/370
5,944,309	A	8/1999	Popadiuk et al.	273/121 A	D559,328	S	1/2008	Rasmussen et al.	D21/333
5,984,782	A	11/1999	Inoue	463/20	D559,917	S	1/2008	Cole	D21/369
6,000,697	A	12/1999	Popadiuk et al.	273/118 R	D563,326	S	3/2008	Patel et al.	D13/164
D419,201	S	1/2000	De Haas	D21/370	D563,481	S	3/2008	Looks et al.	D21/370
D419,606	S	1/2000	Toriyama	D21/325	D564,600	S	3/2008	Greenberg et al.	D21/370
6,036,188	A	3/2000	Gomez et al.	273/118 R	D564,601	S	3/2008	Strahinic et al.	D21/370
6,047,962	A	4/2000	Popadiuk	273/119 A	D566,197	S	4/2008	Greenberg et al.	D21/370
6,047,963	A	4/2000	Pierce et al.	273/143 R	D572,314	S	7/2008	Vallejo et al.	D21/370
D424,122	S	5/2000	Dickenson et al.	D21/325	D578,168	S	10/2008	Looks et al.	D21/369
D428,062	S	7/2000	Hayashi	D21/325	D581,983	S	12/2008	Bergström	D20/2
6,089,663	A	7/2000	Hill	297/258.1	RE40,625	E	1/2009	Wurz et al.	D21/325
6,102,394	A	8/2000	Wurz et al.	273/138.2	RE40,671	E	3/2009	Wurz et al.	D21/325
6,113,097	A	9/2000	Krutsch et al.	273/118 A	7,503,849	B2	3/2009	Hornik et al.	463/20
6,117,010	A	9/2000	Cantebury	463/20	D599,858	S	9/2009	Lesley et al.	D21/370
6,120,021	A	9/2000	Piotrowski et al.	273/118 R	D599,859	S	9/2009	Lesley et al.	D21/370
6,129,353	A	10/2000	DeMar et al.	273/119 R	D599,860	S	9/2009	Lesley et al.	D21/385
6,129,355	A	10/2000	Hahn et al.	273/142 R	D604,368	S *	11/2009	Lesley et al.	D21/370
6,135,449	A	10/2000	Cornell et al.	273/119 R	D622,780	S	8/2010	Lesley et al.	D21/369
6,135,562	A	10/2000	Infanti	297/440.2	D622,781	S	8/2010	Lesley et al.	D21/369
6,149,153	A	11/2000	Sheats, Jr.	273/129 V	D622,782	S	8/2010	Lesley et al.	D21/385
6,155,565	A	12/2000	Gomez et al.	273/118 R	D626,182	S *	10/2010	Cole et al.	D21/369
6,155,925	A	12/2000	Giobbi et al.	463/20	D637,652	S *	5/2011	Tahara et al.	D21/325
6,158,737	A	12/2000	Cornell et al.	273/118 R	D641,047	S *	7/2011	Tahara et al.	D21/325
6,159,098	A	12/2000	Slomiany et al.	463/25	2002/0041069	A1	4/2002	Steelman	273/138.1
6,164,644	A	12/2000	Cornell et al.	273/118 R	2003/0122973	A1	7/2003	Huang	348/836
6,173,955	B1	1/2001	Perrie et al.	273/146	2004/0018877	A1	1/2004	Tastad et al.	463/46
6,199,861	B1	3/2001	Hume et al.	273/118 R	2004/0053662	A1	3/2004	Pacey	463/16
D439,931	S	4/2001	Yamaguchi	D21/369	2005/0014547	A1	1/2005	Gomez et al.	463/16
					2006/0009284	A1	1/2006	Schwartz et al.	463/30

# US D678,955 S

Page 3

---

2006/0079316	A1	4/2006	Flemming et al. ....	463/25
2006/0131810	A1	6/2006	Nicely .....	273/292
2006/0183553	A1	8/2006	Kiriyama et al. ....	463/46
2006/0199638	A1	9/2006	Walker et al. ....	463/30
2006/0281559	A1	12/2006	Luciano .....	463/46
2006/0287111	A1	12/2006	Mitchell et al. ....	463/46
2008/0039213	A1	2/2008	Cornell et al. ....	463/46
2008/0051202	A1	2/2008	Lube .....	463/46

## OTHER PUBLICATIONS

Product Sheet for "Monopoly Chairman of the Board™," WMS Gaming Inc. 2 pages (1999).  
Product Sheet for "American Eagle," Eagle Co., Ltd., 2 pages (2000).

Product Sheet for "Survivor," WMS Gaming Inc., 4 pages, (2001).  
Product Sheet for "ProSLOT® 6000," Bally Gaming Systems, 4 pages, (2002).  
Product Sheet for "EVO™ Hybrid," Bally Gaming Systems, 4 pages, (2002).  
Product Sheet for "3RV™," WMS Gaming Inc., 2 pages, (2002 or earlier).  
Product Sheet for "Miss America," AC Coin & Slot, 2 pages (2002 or earlier).  
Product Sheet for "Ultrapin™," Global VR, 1 page (2007).  
Brochure for "Virtual Pinball," Tab-Austria, 8 pages (2007).

\* cited by examiner



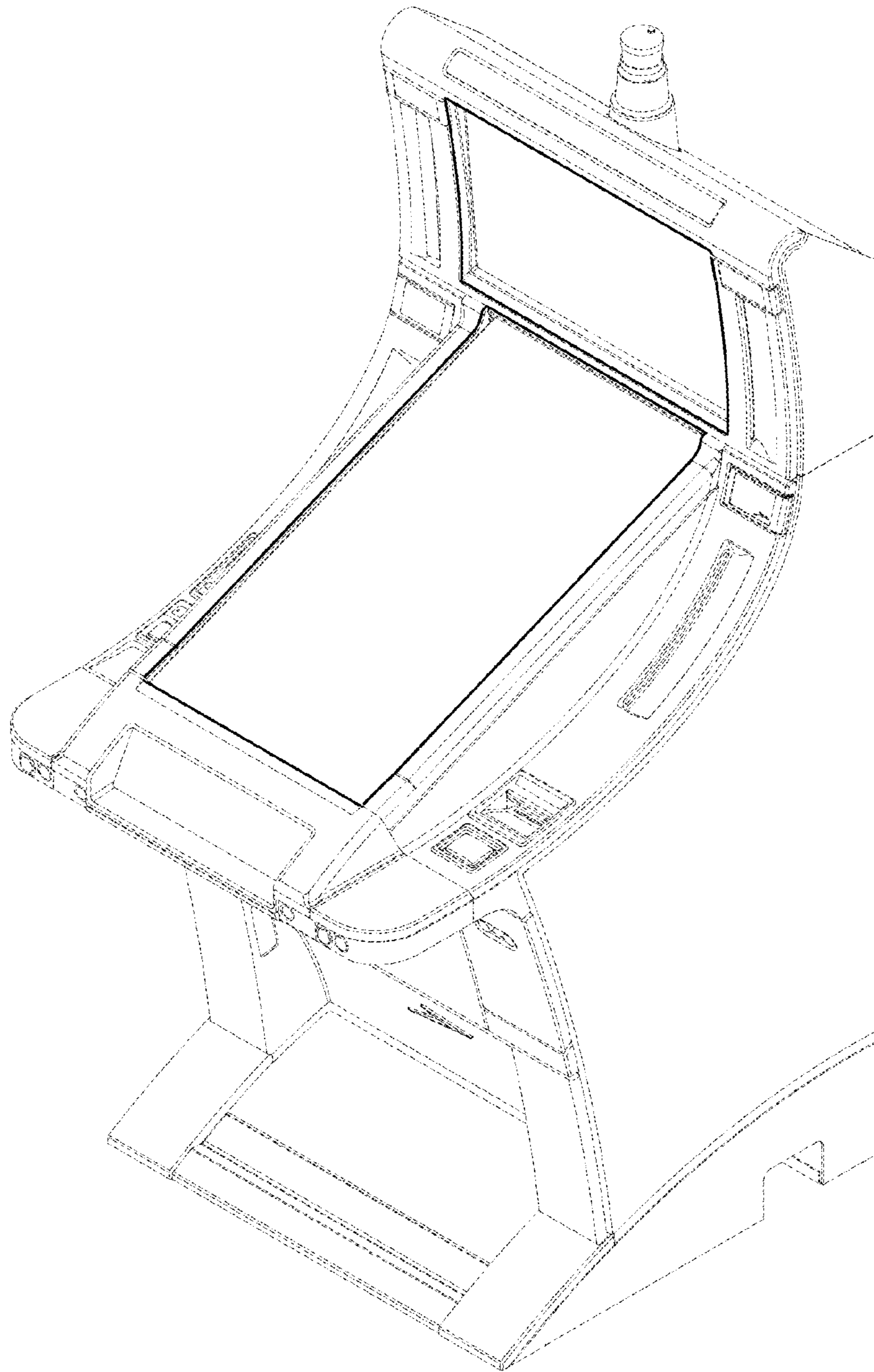


FIG. 1

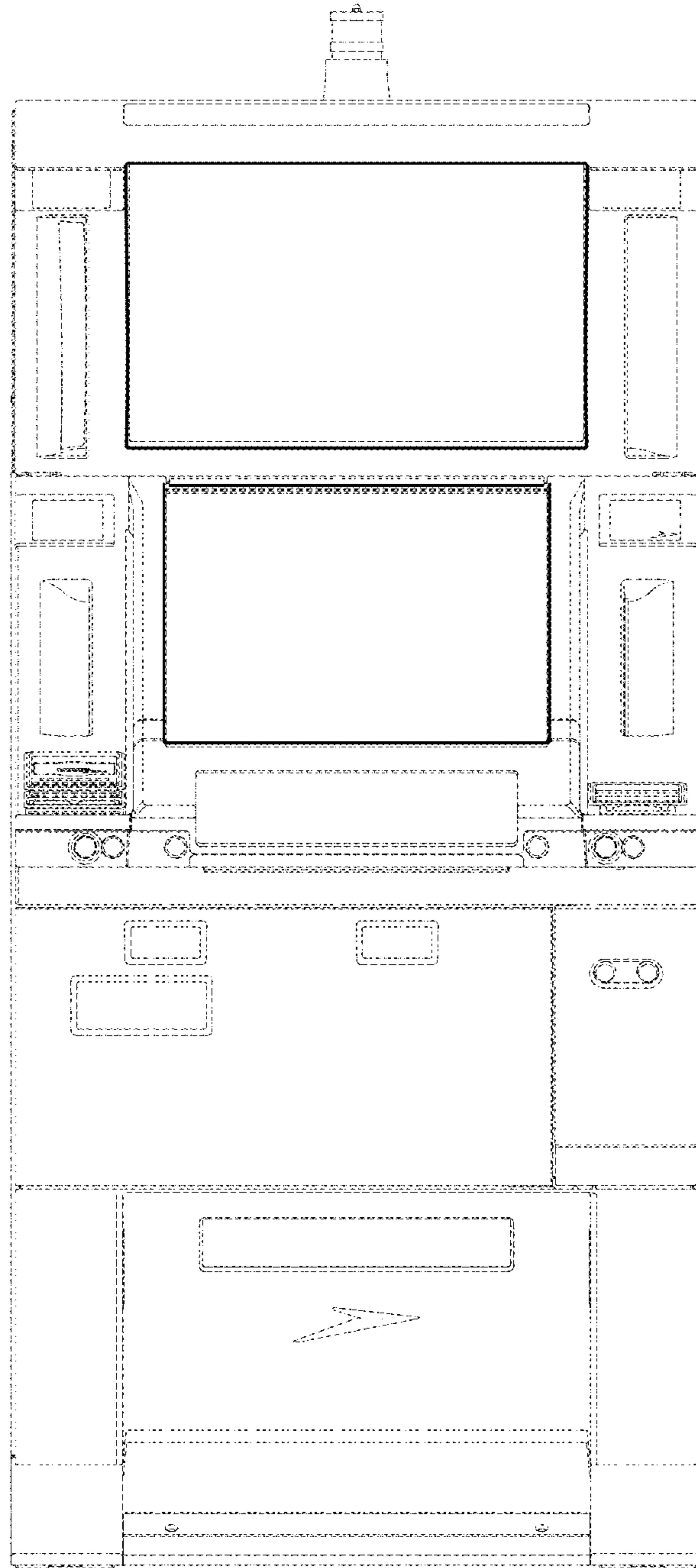


FIG. 2

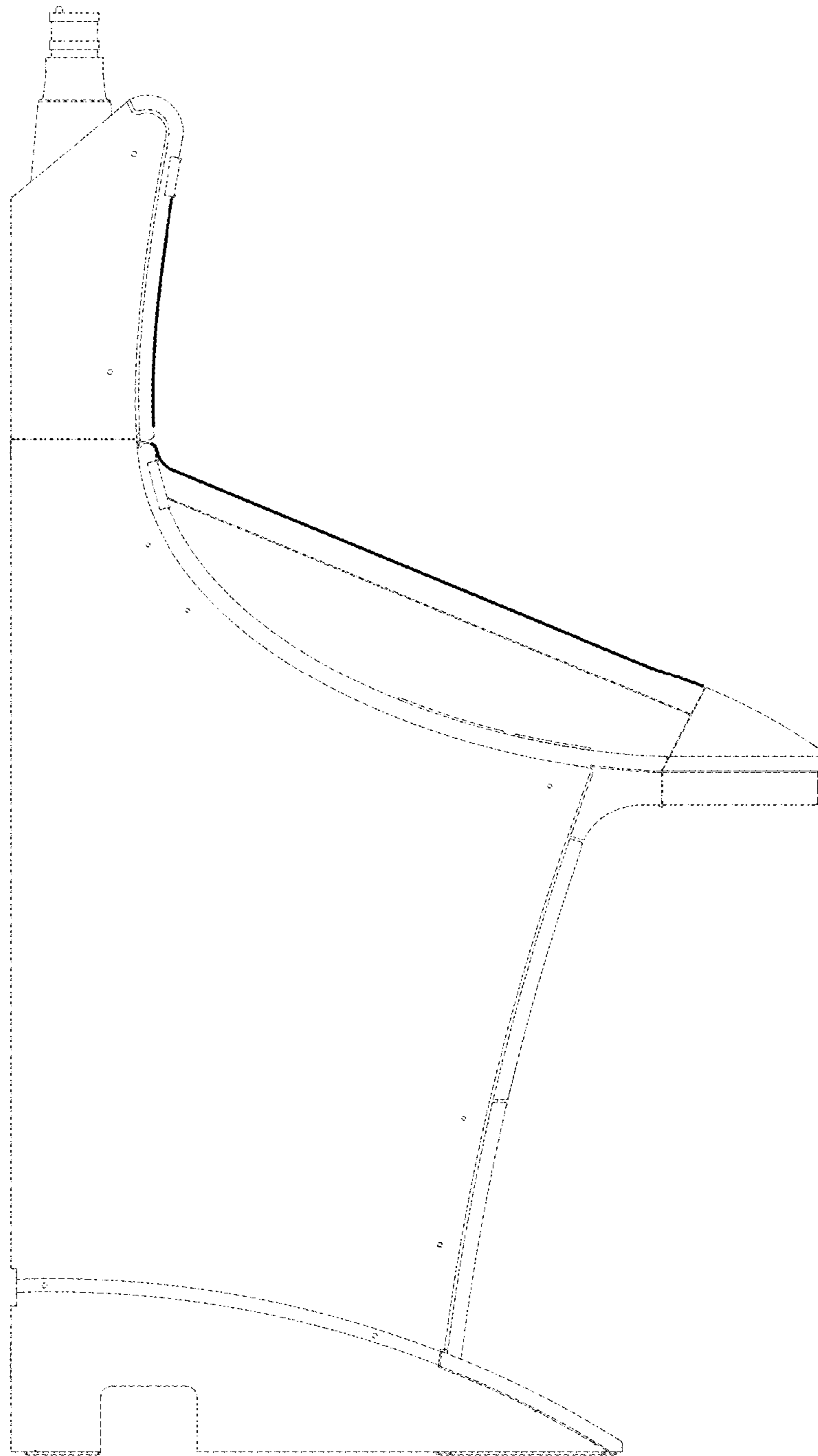


FIG. 3

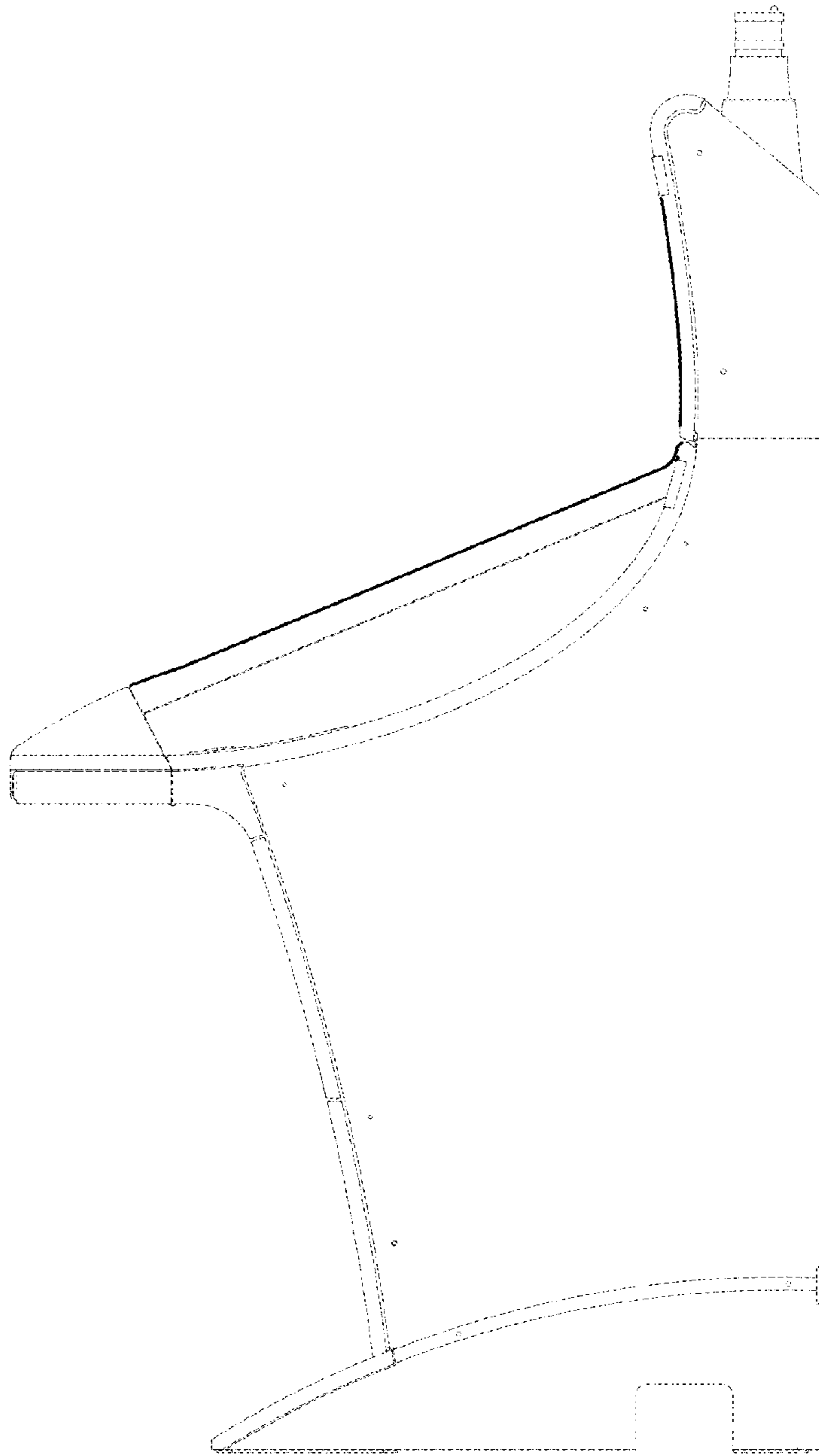


FIG. 4

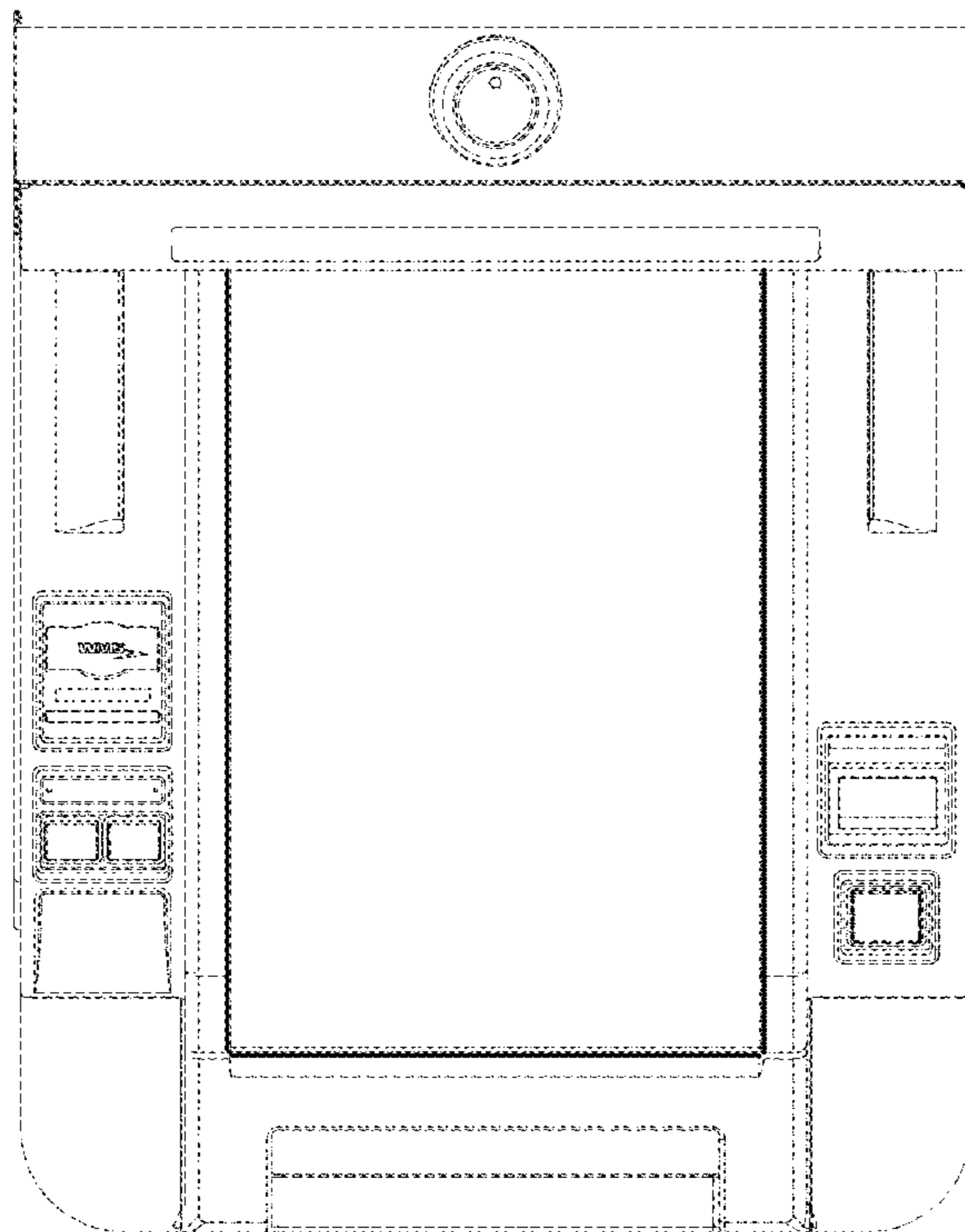


FIG. 5