



US00D678946S

(12) **United States Design Patent**  
**Wallom et al.**

(10) **Patent No.:** **US D678,946 S**  
(45) **Date of Patent:** **\*\* Mar. 26, 2013**

(54) **MATERIAL PUNCH**

(75) Inventors: **Michael D. Wallom**, Madison, WI (US);  
**Daniel Cunningham**, Edgerton, WI  
(US); **Colin Roberts**, Stevens Point, WI  
(US); **Daniel J. Lipscomb**, Prairie Du  
Sac, WI (US)

(73) Assignee: **Fiskars Brands, Inc.**, Madison, WI (US)

(\*\*) Term: **14 Years**

(21) Appl. No.: **29/404,451**

(22) Filed: **Oct. 20, 2011**

(51) **LOC (9) Cl.** ..... **19-02**

(52) **U.S. Cl.** ..... **D19/72**

(58) **Field of Classification Search** ..... D8/98;  
D19/72; 30/358, 363; 83/613, 618, 620,  
83/633, 684-691

See application file for complete search history.

D567,862	S *	4/2008	Chen et al.	.....	D19/72
D573,649	S *	7/2008	Chen et al.	.....	D19/72
D587,287	S	2/2009	Corcoran et al.	.....	
D588,647	S *	3/2009	Luo et al.	.....	D19/72
D607,910	S	1/2010	Corcoran et al.	.....	
7,654,183	B2 *	2/2010	Marks	.....	83/618
D611,993	S *	3/2010	Lynen et al.	.....	D19/72
7,721,635	B2 *	5/2010	Luo et al.	.....	83/628
D618,729	S *	6/2010	Lee et al.	.....	D19/72
D632,317	S	2/2011	Corcoran et al.	.....	
D633,145	S *	2/2011	Lee et al.	.....	D19/72
2003/0037657	A1	2/2003	Oh et al.	.....	
2003/0205122	A1	11/2003	Oh	.....	
2005/0253324	A1	11/2005	Corcoran et al.	.....	
2006/0037503	A1	2/2006	Winston	.....	
2008/0168874	A1 *	7/2008	Luo et al.	.....	83/167
2011/0252939	A1	10/2011	Nabity et al.	.....	

**OTHER PUBLICATIONS**

Fiskars School Office Craft Products 2005 catalog, pp. 71-73.  
U.S. Appl. No. 13/192,265, filed Jul. 27, 2011, Andrew P. Block.  
U.S. Appl. No. 29/401,055, filed Sep. 6, 2011, Andrew P. Block.  
Fiskars Craft Products 2007 catalog, pp. 42-47 and 70-83.

\* cited by examiner

*Primary Examiner* — Elizabeth A. Albert

(74) *Attorney, Agent, or Firm* — Foley & Lardner LLP

(57) **CLAIM**

We claim the ornamental design for a material punch, as shown and described.

**DESCRIPTION**

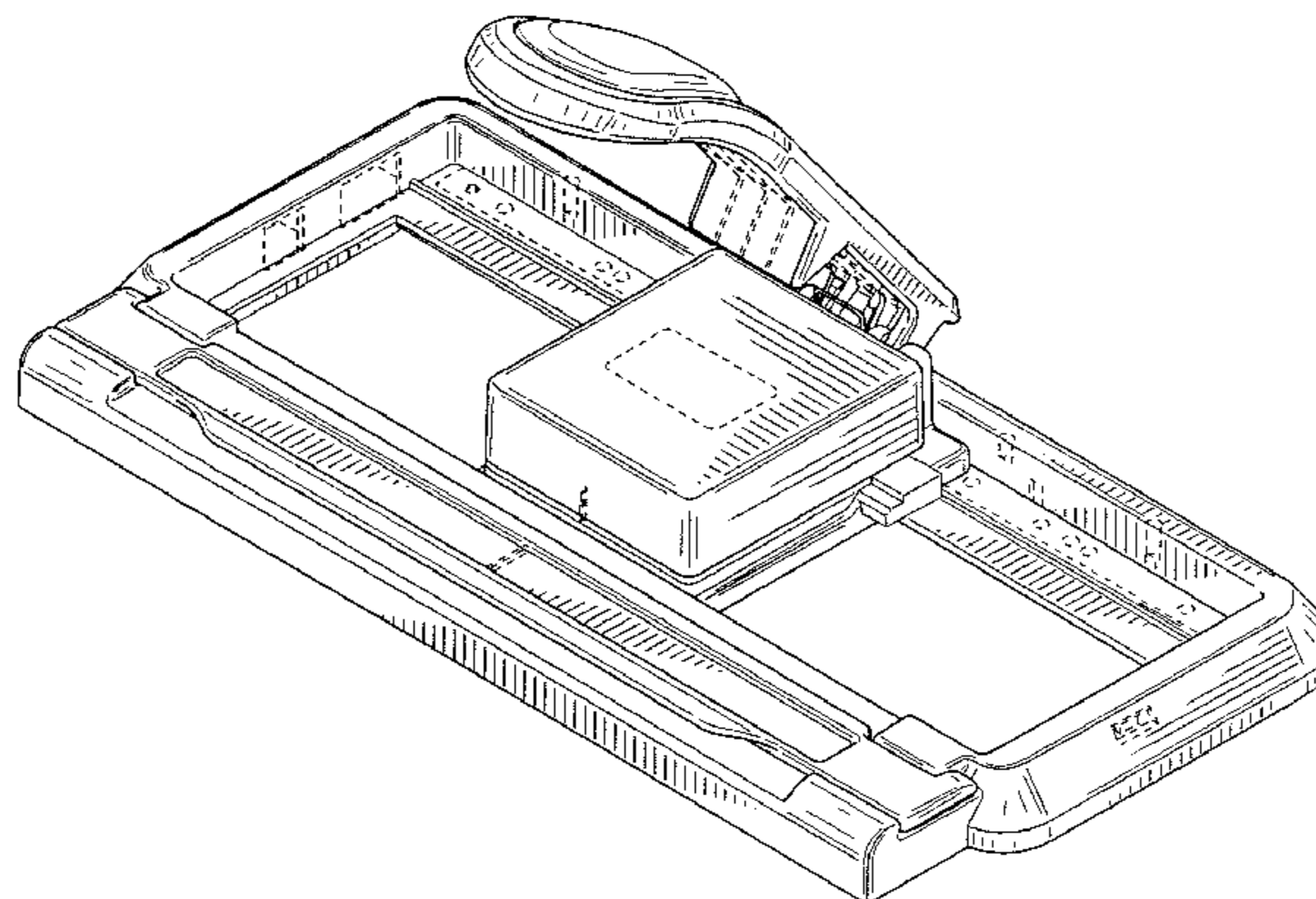
FIG. 1 is a perspective view of our claimed design.  
FIG. 2 is a front elevational view of the claimed design of FIG. 1.  
FIG. 3 is a rear elevational view of the claimed design of FIG. 1.  
FIG. 4 is a left side elevational view of the claimed design of FIG. 1.  
FIG. 5 is a right side elevational view of the claimed design of FIG. 1.  
FIG. 6 is a top plan view of the claimed design of FIG. 1; and, FIG. 7 is a bottom plan view of the claimed design of FIG. 1. The broken lines in the drawings are included for the purpose of showing portions that form no part of the claimed design.

**1 Claim, 4 Drawing Sheets**

(56) **References Cited**

U.S. PATENT DOCUMENTS

1,655,315	A *	1/1928	Finley	.....	83/571
1,692,764	A *	11/1928	Salt	.....	83/167
D169,080	S *	3/1953	Marano	.....	D19/72
2,906,335	A *	9/1959	Love	.....	234/78
3,385,152	A *	5/1968	Brown et al.	.....	83/633
D226,138	S *	1/1973	Fleming	.....	D19/72
4,688,457	A *	8/1987	Neilsen et al.	.....	83/468
D360,225	S *	7/1995	Yang	.....	D19/72
D373,385	S	9/1996	Birkholz	.....	
5,601,006	A	2/1997	Quinn et al.	.....	
D393,657	S	4/1998	Bennett	.....	
5,797,308	A *	8/1998	Evans et al.	.....	83/618
D407,752	S	4/1999	Kim et al.	.....	
D419,178	S	1/2000	Kim et al.	.....	
6,209,434	B1	4/2001	Kim et al.	.....	
6,626,965	B2	9/2003	Workman et al.	.....	
D489,411	S *	5/2004	Chen	.....	D19/72
D489,763	S *	5/2004	Chen	.....	D19/72
D508,701	S	8/2005	Corcoran et al.	.....	
7,011,009	B1	3/2006	Tomich	.....	
D540,374	S	4/2007	Corcoran	.....	
D542,310	S	5/2007	Corcoran et al.	.....	
D567,861	S *	4/2008	Chen et al.	.....	D19/72



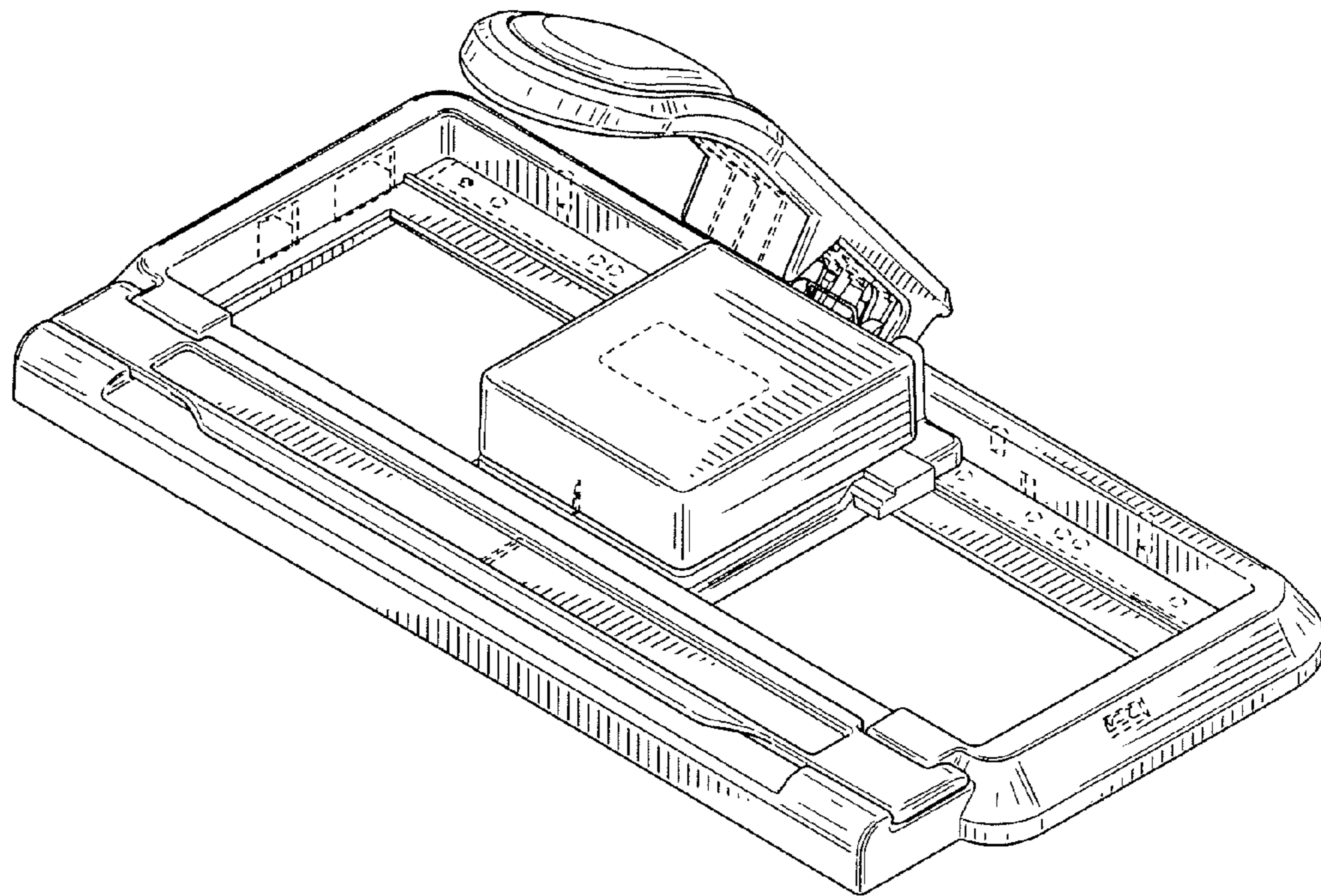


FIG. 1

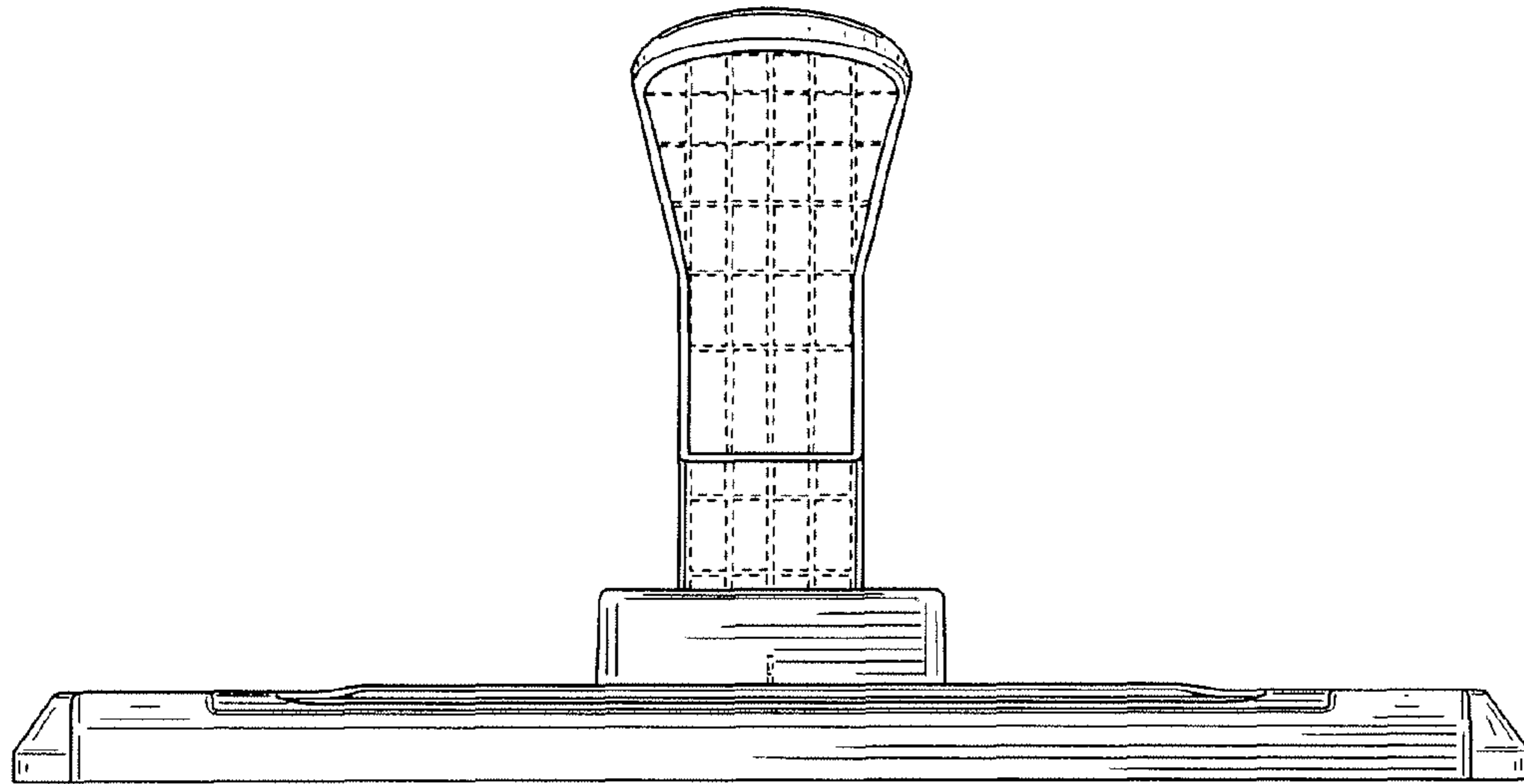


FIG. 2

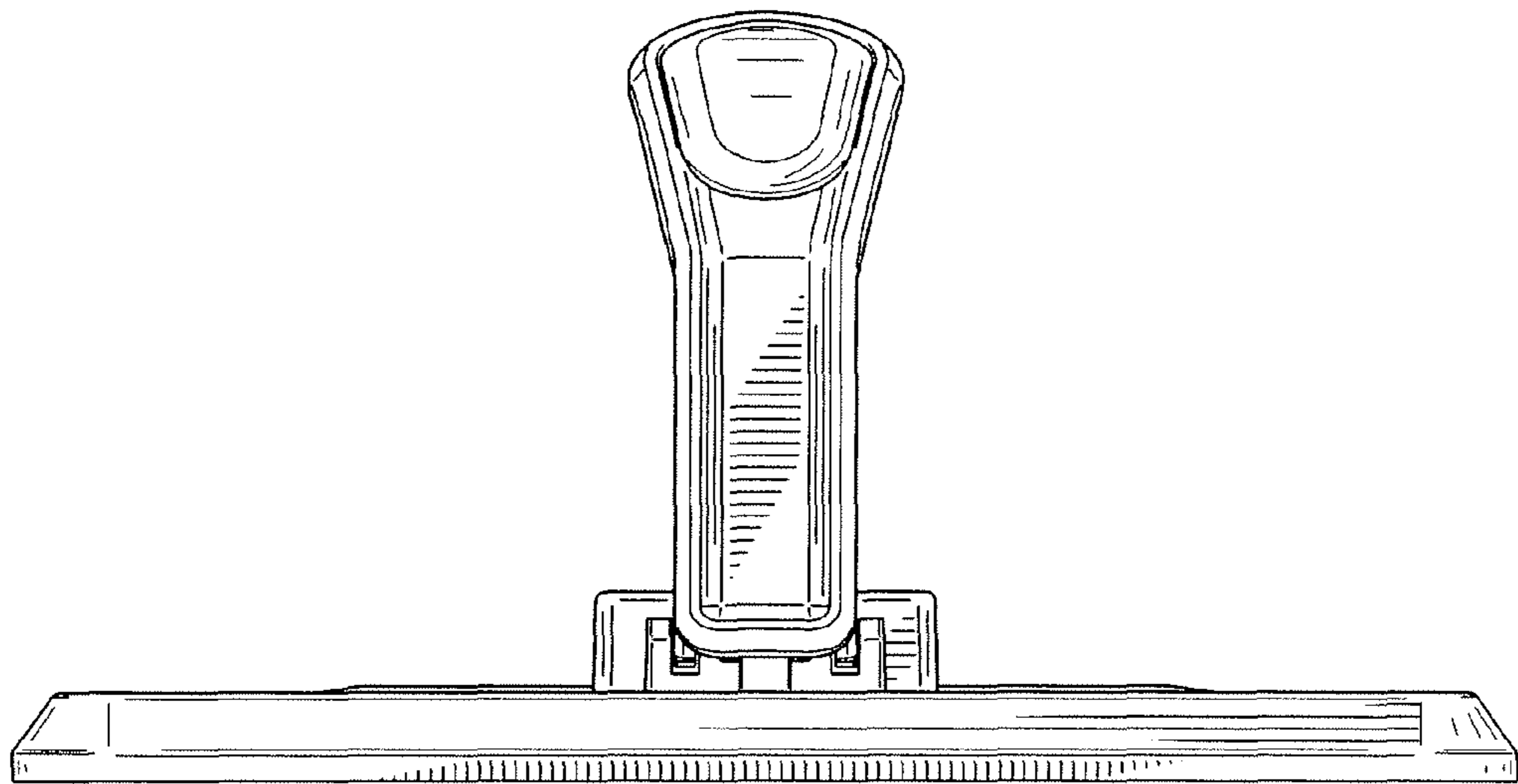


FIG. 3



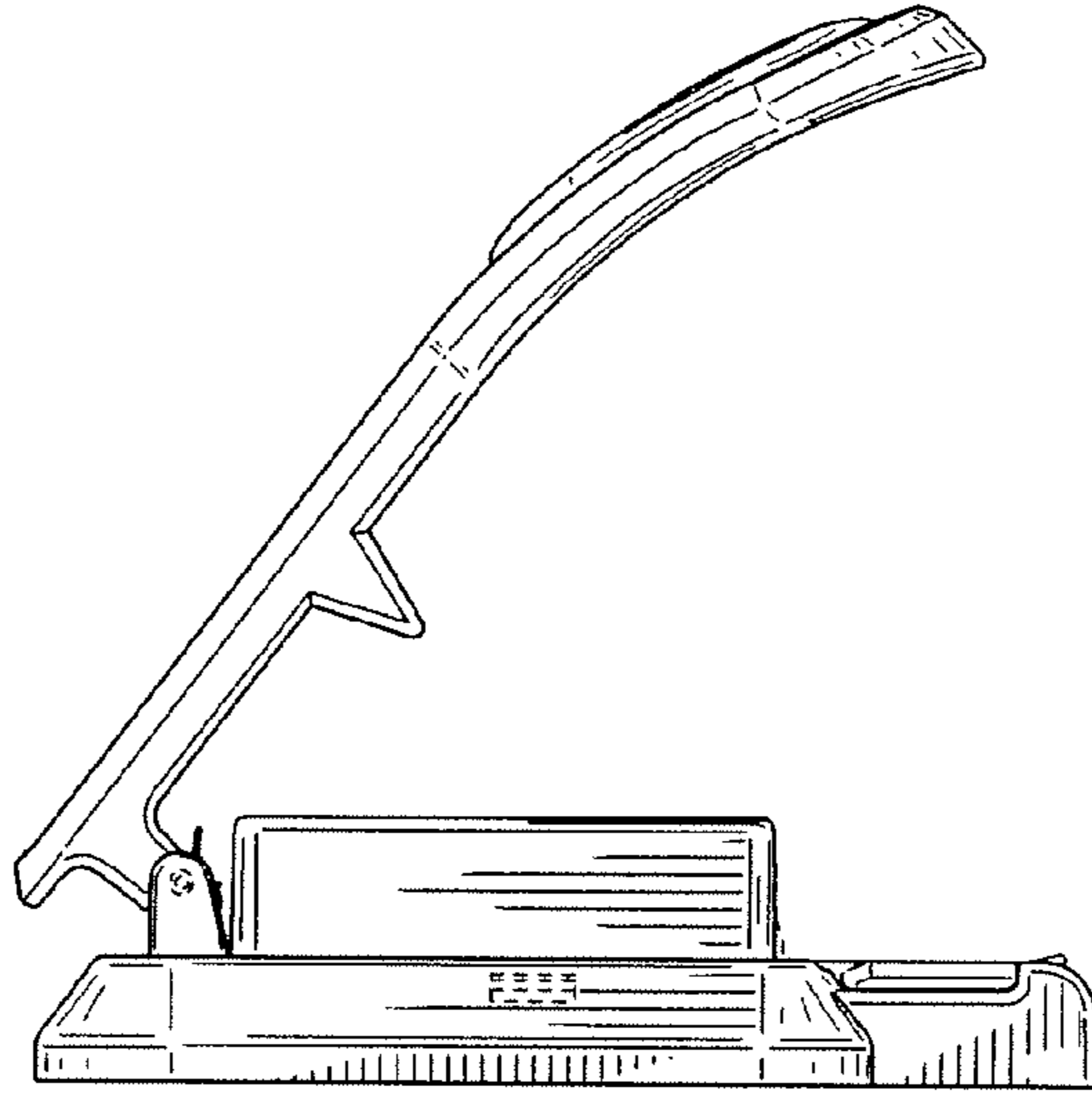


FIG. 4

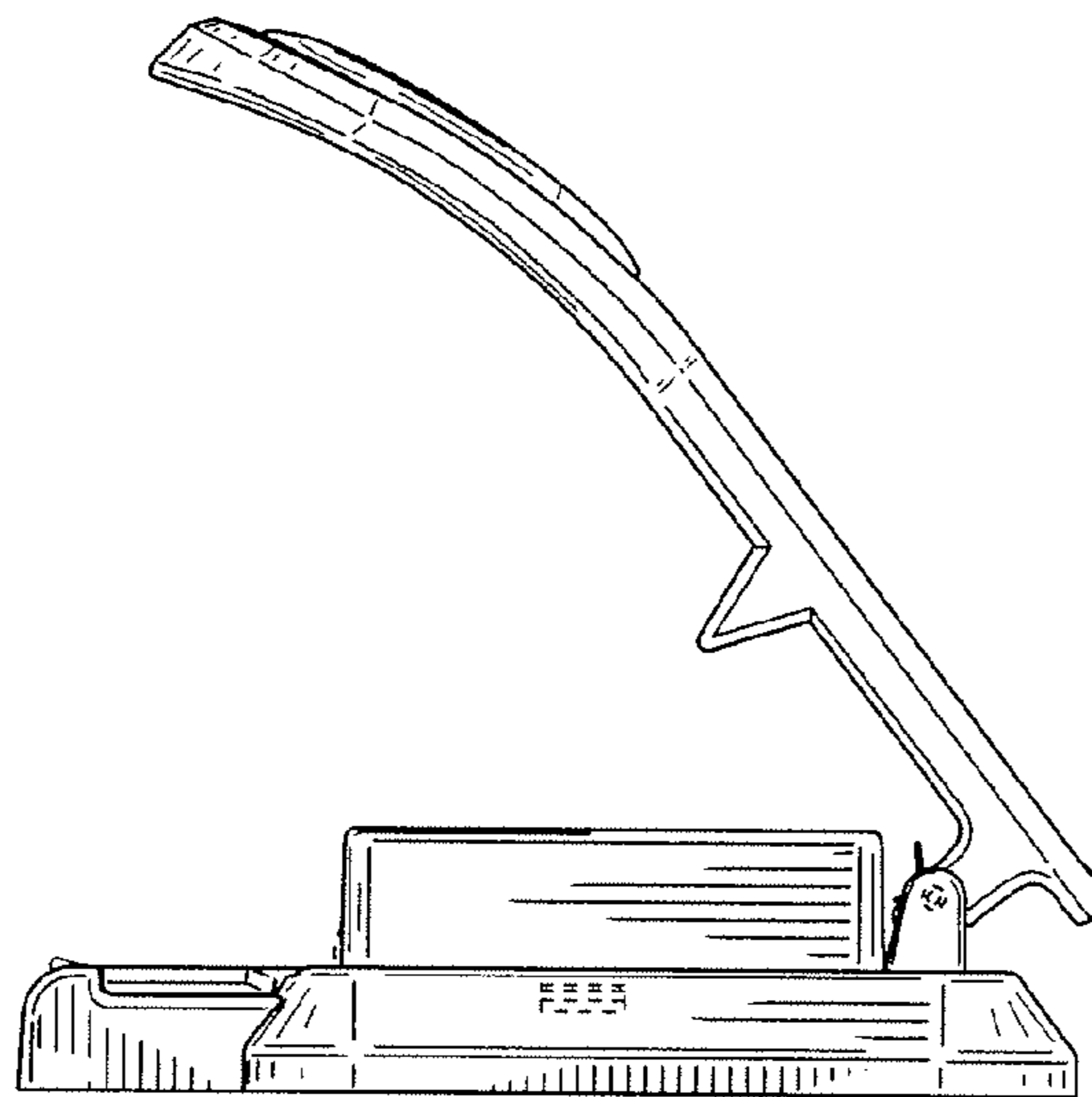


FIG. 5

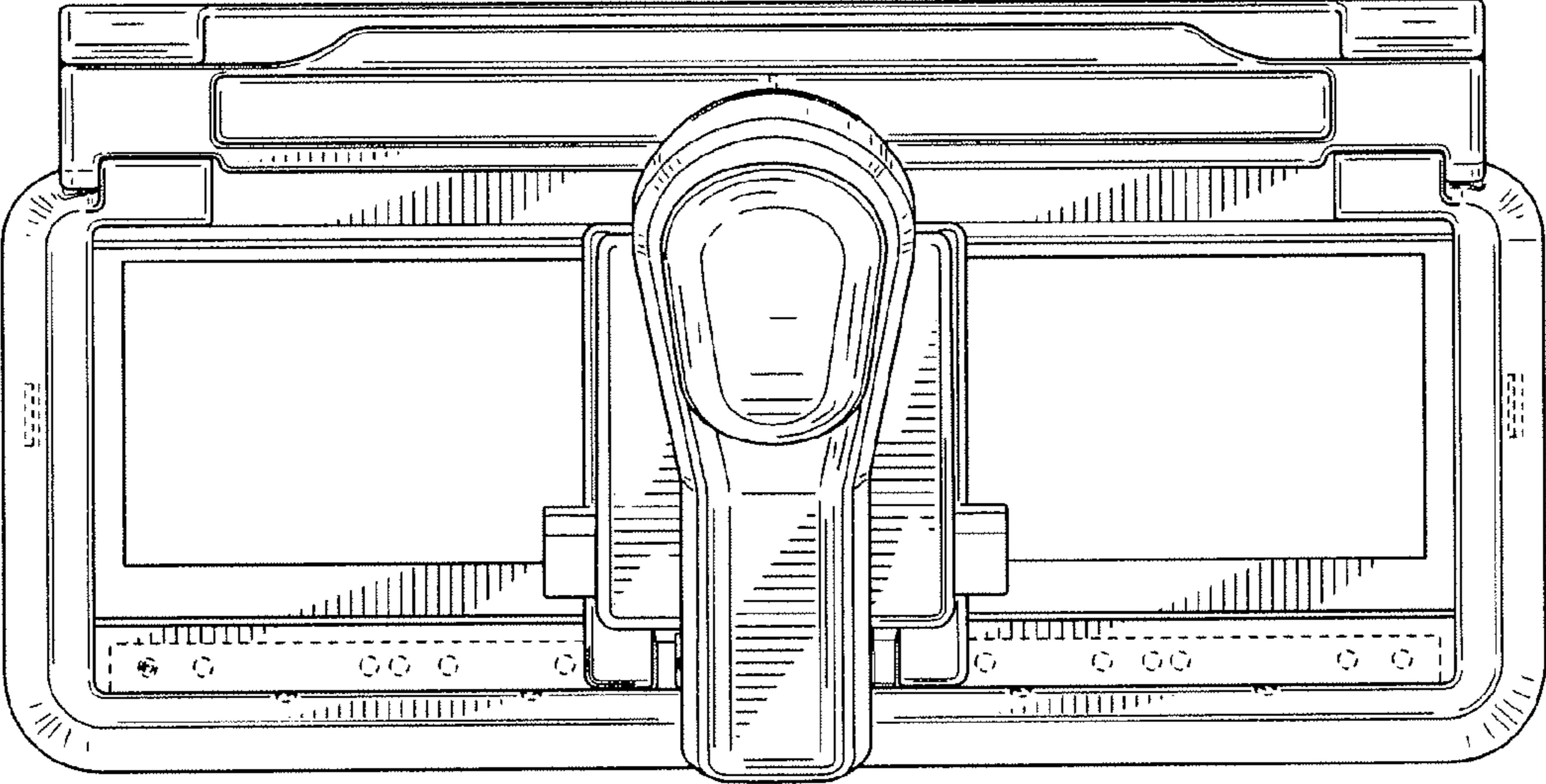


FIG. 6

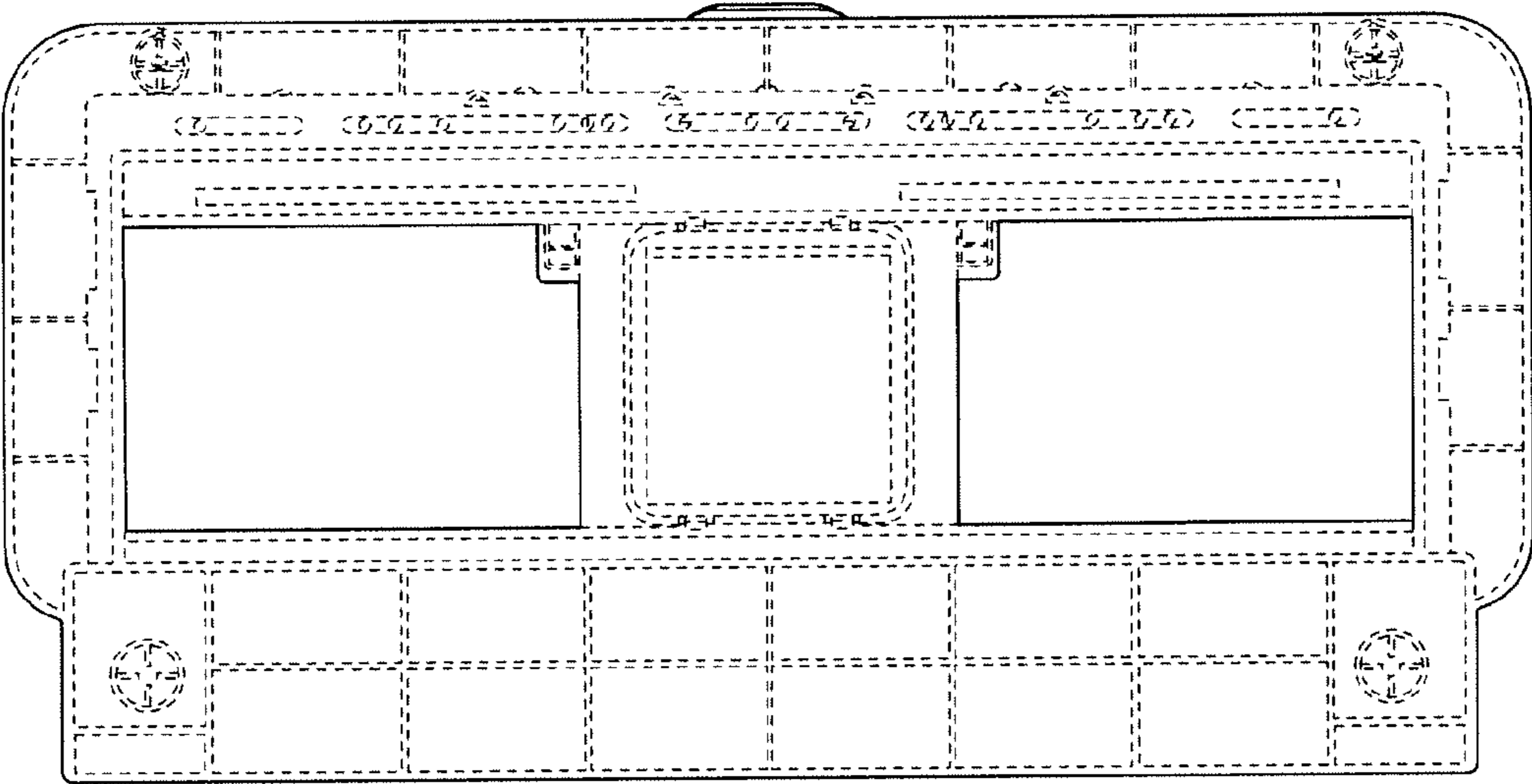


FIG. 7