



US00D678945S

(12) **United States Design Patent**
Jiang

(10) **Patent No.:** **US D678,945 S**
(45) **Date of Patent:** **** Mar. 26, 2013**

(54) **PEN**
(75) Inventor: **Linghua Jiang**, Ningbo (CN)
(73) Assignee: **Beifa Group Co., Ltd.**, Ningbo (CN)
(**) Term: **14 Years**
(21) Appl. No.: **29/404,070**
(22) Filed: **Oct. 14, 2011**

(30) **Foreign Application Priority Data**

Apr. 29, 2011 (CN) 2011 3 0098877

(51) **LOC (9) Cl.** **19-06**
(52) **U.S. Cl.** **D19/51**
(58) **Field of Classification Search** D14/411;
D19/35, 36, 41-51, 54-58; 24/11 F, 11 P,
24/11 R; 401/52, 99-109, 192, 195, 196
See application file for complete search history.

(56) **References Cited**

U.S. PATENT DOCUMENTS

2,473,688	A *	6/1949	Martin	24/11 P
2,523,605	A *	9/1950	Welsh	24/11 F
D162,805	S	4/1951	Ferber		
D169,446	S *	4/1953	Kahn	D19/51
D323,189	S *	1/1992	Tu	D19/48
D368,930	S	4/1996	Payne		
D445,826	S *	7/2001	Baudino et al.	D19/43
D452,879	S *	1/2002	Koike	D19/43
D480,421	S	10/2003	Hui		
D483,067	S *	12/2003	Takanashi	D19/43
D484,186	S *	12/2003	Monti	D19/43
D499,762	S *	12/2004	Shova et al.	D19/43
D501,512	S *	2/2005	Shova et al.	D19/66

D502,219	S *	2/2005	Shova et al.	D19/57
D502,739	S *	3/2005	Shova et al.	D19/66
D509,536	S *	9/2005	Nishida	D19/43
D549,777	S *	8/2007	Soetewey	D19/51
D552,674	S *	10/2007	Qiu et al.	D19/48
D552,675	S *	10/2007	Zhang	D19/48
D562,384	S *	2/2008	Qiu	D19/36
D562,393	S *	2/2008	Qiu et al.	D19/51
D562,395	S *	2/2008	Qiu et al.	D19/51
D566,179	S	4/2008	Qiu		
D577,068	S	9/2008	Soetewey		
D616,025	S	5/2010	Yan		
D641,411	S	7/2011	Tan		
D669,129	S *	10/2012	Liang	D19/57

* cited by examiner

Primary Examiner — Elizabeth Albert

(74) *Attorney, Agent, or Firm* — Christensen O'Connor Johnson Kindness PLLC

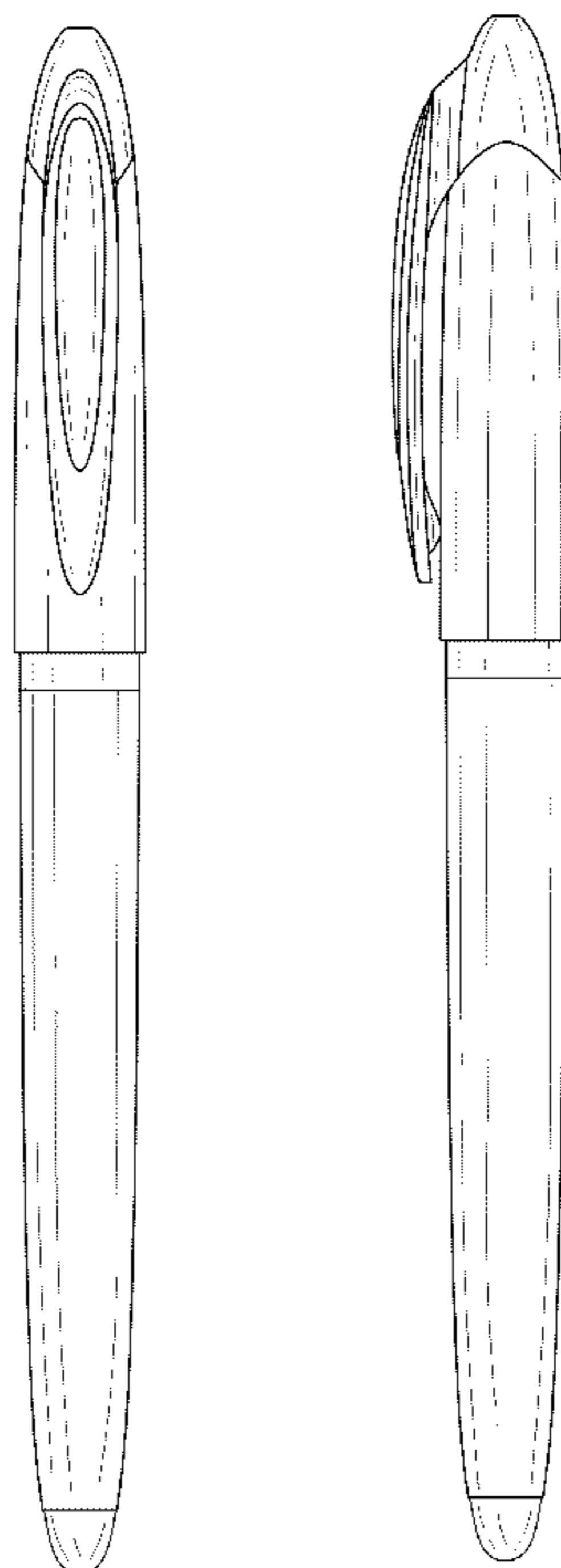
(57) **CLAIM**

The ornamental design for a pen, as shown and described.

DESCRIPTION

FIG. 1 is a front right perspective view of a pen showing my new design;
FIG. 2 is a front elevation view thereof;
FIG. 3 is a rear elevation view thereof;
FIG. 4 is a right side elevation view thereof, with the left side elevation view being a mirror image of the right side elevation view;
FIG. 5 is a top plan view thereof; and,
FIG. 6 is a bottom plan view thereof.
The broken lines shown in FIG. 5 illustrate environmental subject matter and form no part of the claimed design.

1 Claim, 4 Drawing Sheets



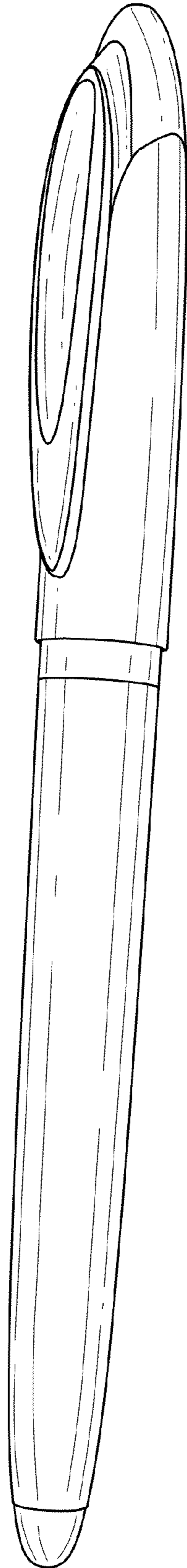


Fig.1

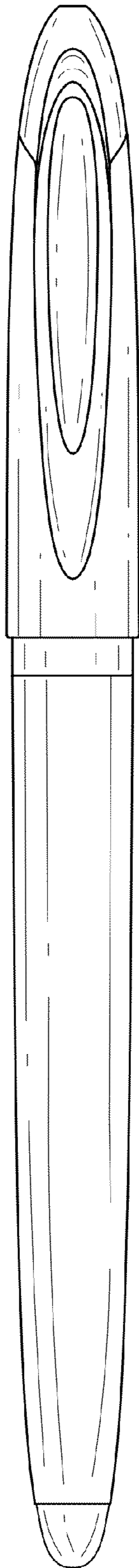


Fig. 2

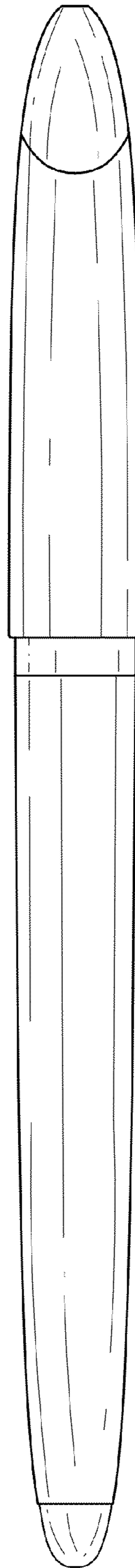


Fig. 3

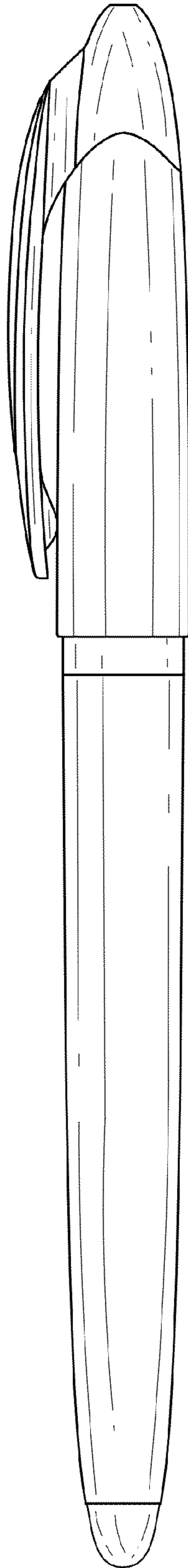


Fig. 4

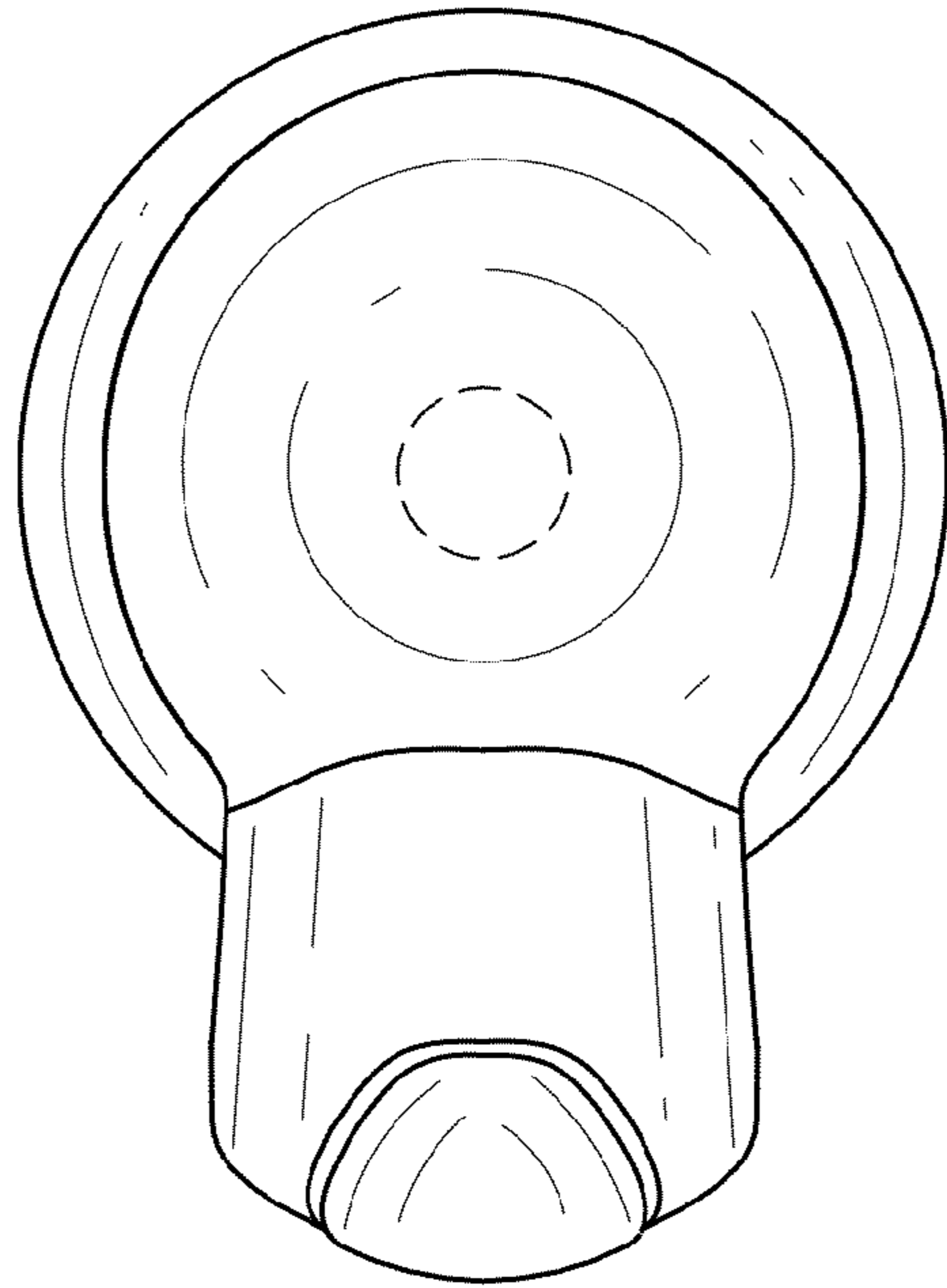


Fig. 5

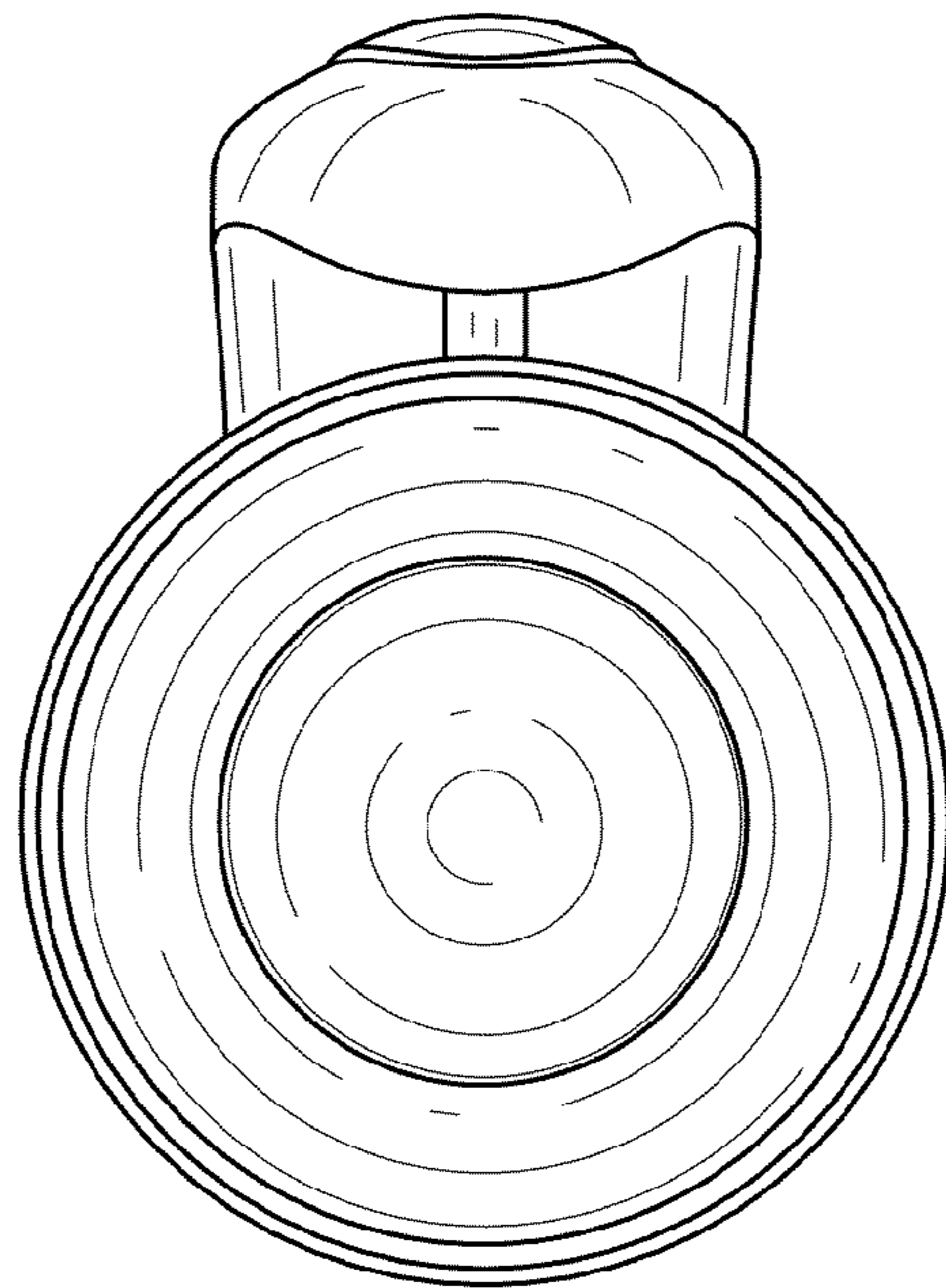


Fig. 6