



US00D678944S

(12) **United States Design Patent**
Xie

(10) **Patent No.:** **US D678,944 S**
(45) **Date of Patent:** **** Mar. 26, 2013**

(54) **PEN**
(75) Inventor: **Jianzhe Xie**, Ningbo (CN)
(73) Assignee: **Beifa Group Co., Ltd.**, Ningbo (CN)
(**) Term: **14 Years**

D547,375 S * 7/2007 Gerules D19/51
D562,395 S * 2/2008 Qiu et al. D19/51
D587,754 S * 3/2009 Cetera
D591,351 S * 4/2009 Shi D19/50
D604,362 S * 11/2009 Suero et al. D19/50
D612,423 S * 3/2010 Suero et al. D19/41
D612,424 S * 3/2010 Suero et al. D19/41
D641,411 S * 7/2011 Tan D19/50

(21) Appl. No.: **29/405,752**
(22) Filed: **Nov. 4, 2011**

OTHER PUBLICATIONS

Liu, L., "Pen," U.S. Appl. No. 29/384,487, filed Jan. 31, 2011.

* cited by examiner

(30) **Foreign Application Priority Data**
May 4, 2011 (CN) 2011 3 0103883
(51) **LOC (9) Cl.** **19-06**
(52) **U.S. Cl.** **D19/50**
(58) **Field of Classification Search** D14/411;
D19/35, 36, 41-51, 54-58; 24/11 F, 11 P,
24/11 R; 401/52, 99-109, 192, 195, 196
See application file for complete search history.

Primary Examiner — Elizabeth Albert
(74) *Attorney, Agent, or Firm* — Christensen O'Connor
Johnson Kindness PLLC

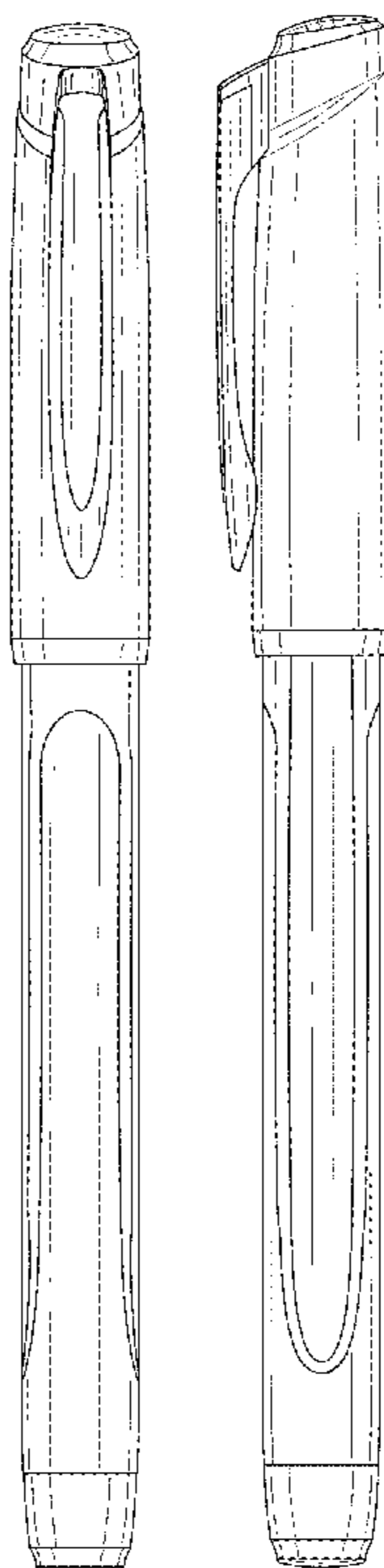
(57) **CLAIM**
The ornamental design for a pen, as shown and described.

(56) **References Cited**
U.S. PATENT DOCUMENTS
D253,060 S * 10/1979 Itoh D19/48
D305,551 S * 1/1990 Oka D19/57
D323,349 S * 1/1992 Gomez D19/49
D398,934 S * 9/1998 Veillon D19/51
D425,119 S * 5/2000 Andrews
D462,386 S * 9/2002 Iwase et al. D19/43
D489,088 S * 4/2004 Arita et al. D19/43
D521,067 S * 5/2006 Andrews et al. D19/51
D525,303 S * 7/2006 Andrews et al. D19/51
D540,863 S * 4/2007 Qiu D19/43
D544,034 S * 6/2007 Qiu D19/43

DESCRIPTION

FIG. 1 is a lower front left perspective view of a pen showing my new design;
FIG. 2 is a front elevation view thereof;
FIG. 3 is a rear elevation view thereof;
FIG. 4 is a right side elevation view thereof, with the left side elevation view being a mirror image of the right side elevation view;
FIG. 5 is an enlarged top plan view thereof; and,
FIG. 6 is an enlarged bottom plan view thereof.

1 Claim, 4 Drawing Sheets



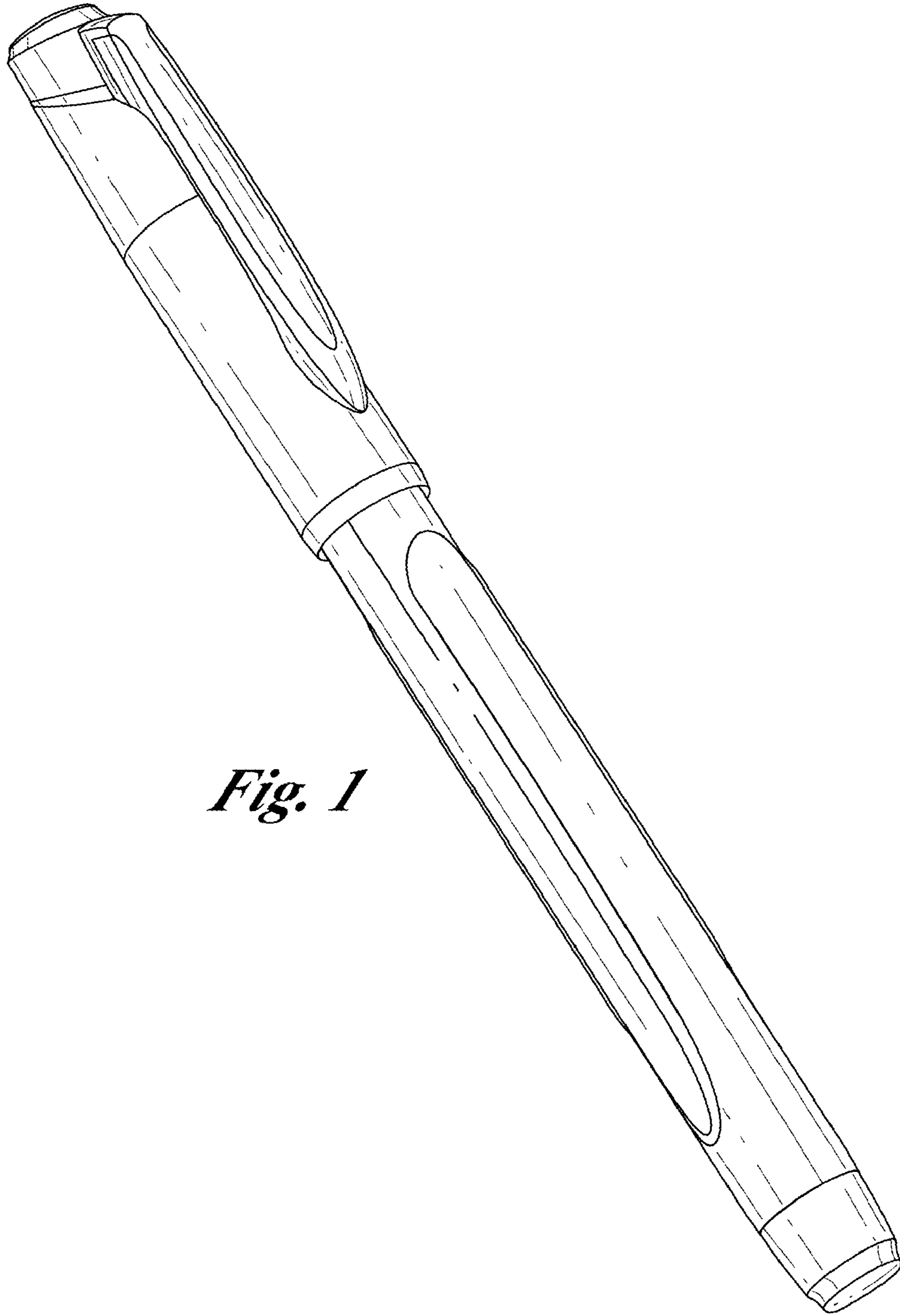


Fig. 1

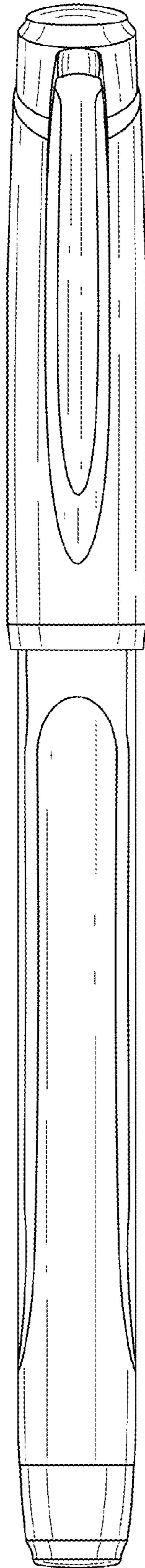


Fig. 2

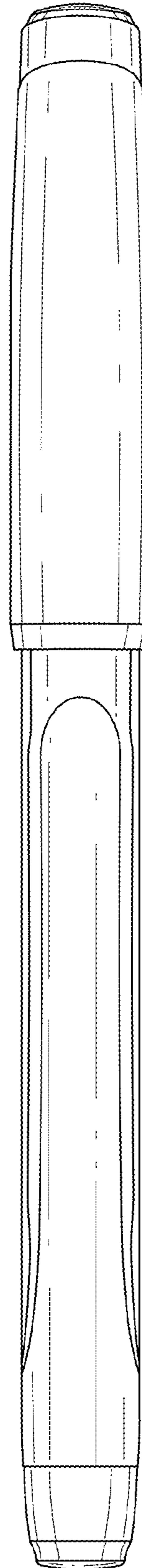


Fig. 3

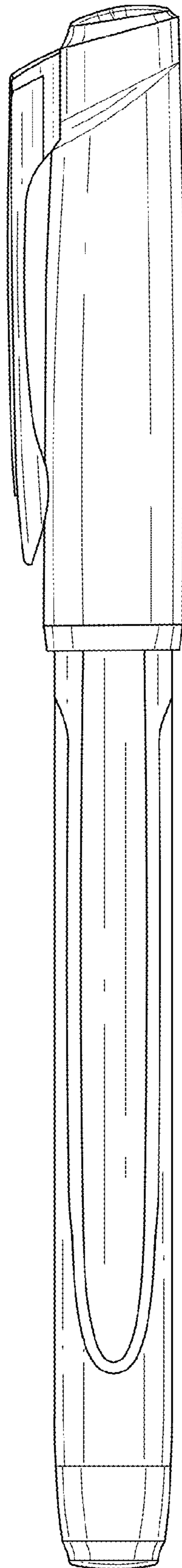


Fig. 4

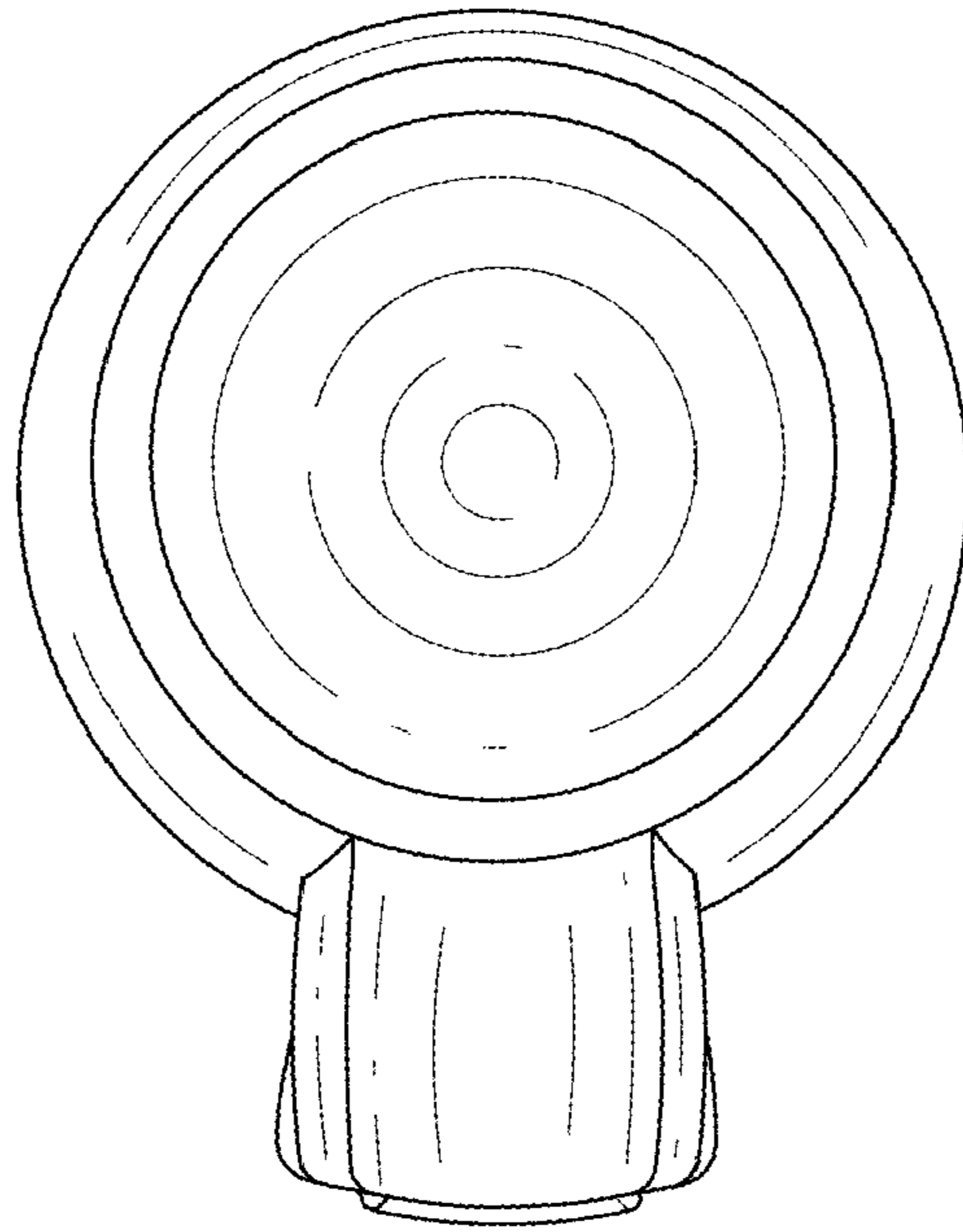


Fig. 5

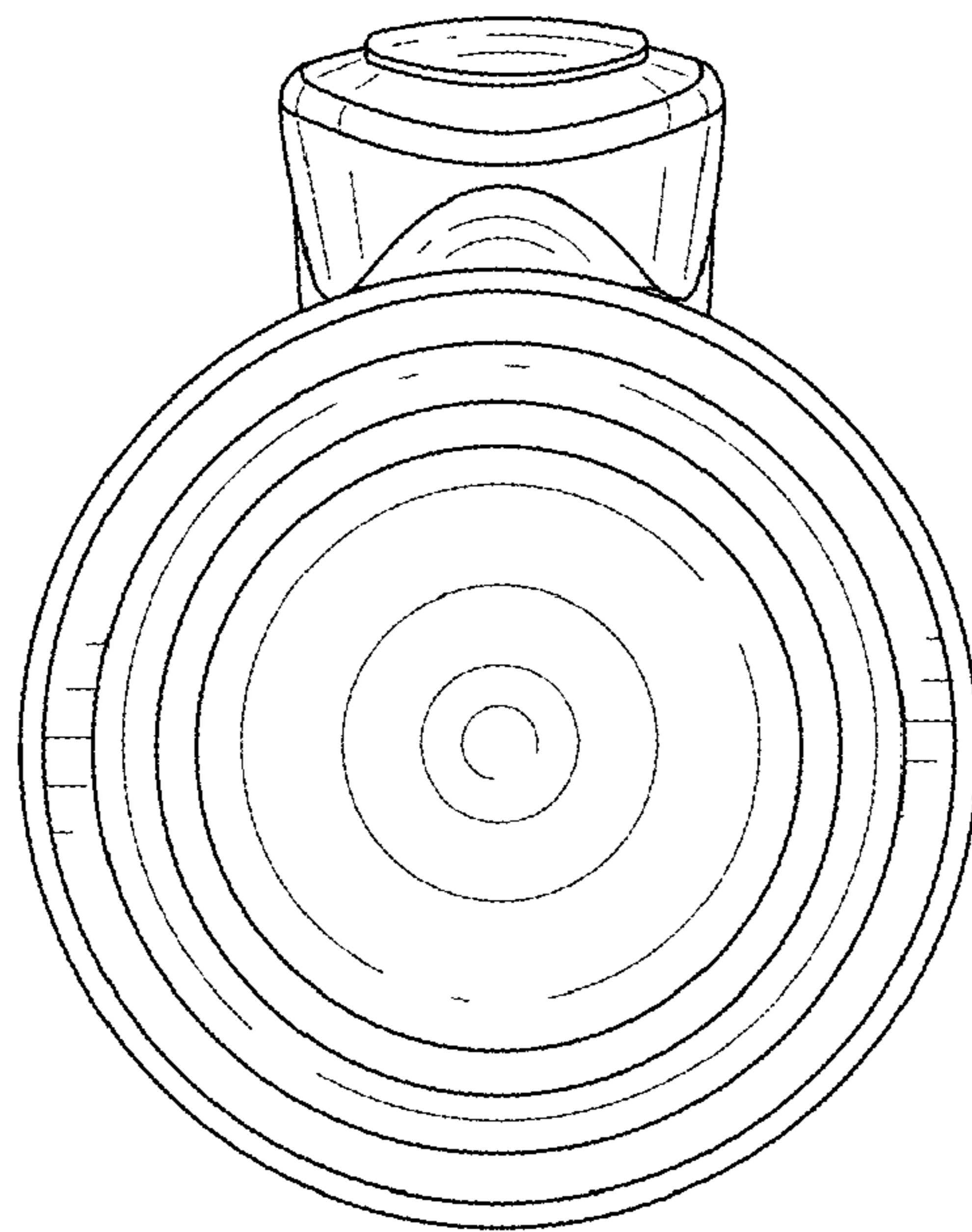


Fig. 6