



US00D678943S

(12) **United States Design Patent**
Jiang

(10) **Patent No.:** **US D678,943 S**
(45) **Date of Patent:** **** Mar. 26, 2013**

- (54) **PEN**
- (75) **Inventor:** **Linghua Jiang, Ningbo (CN)**
- (73) **Assignee:** **Beifa Group Co., Ltd., Ningbo (CN)**
- (**) **Term:** **14 Years**
- (21) **Appl. No.:** **29/405,098**
- (22) **Filed:** **Oct. 28, 2011**

(30) **Foreign Application Priority Data**

Sep. 15, 2011 (CN) 2011 3 0323425

- (51) **LOC (9) Cl.** **19-06**
- (52) **U.S. Cl.** **D19/50**
- (58) **Field of Classification Search** D14/411;
D19/35, 36, 41-51, 54-58; 24/11 F, 11 P,
24/11 R; 401/52, 99-109, 192, 195, 196
See application file for complete search history.

(56) **References Cited**

U.S. PATENT DOCUMENTS

D209,550 S	12/1967	Arnone	
D509,536 S *	9/2005	Nishida	D19/43
D525,302 S *	7/2006	Togawa	D19/51
D532,454 S *	11/2006	Togawa et al.	D19/51
D547,375 S	7/2007	Gerules	
D559,313 S *	1/2008	Qiu et al.	D19/48
D559,910 S	1/2008	Qiu	
D561,835 S *	2/2008	Nishida	D19/56
D566,179 S	4/2008	Qiu	

D569,911 S *	5/2008	Kusaba	D19/57
D570,914 S *	6/2008	Satoh	D19/57
D575,340 S *	8/2008	Ma	D19/50
D586,393 S *	2/2009	Nishida	D19/49
D610,617 S	2/2010	Zhang	
D641,404 S *	7/2011	Nishida	D19/47
D641,410 S	7/2011	Tan	

OTHER PUBLICATIONS

Zhang, B., "Pen," U.S. Appl. No. 29/386,407, filed Feb. 28, 2011.

* cited by examiner

Primary Examiner — Elizabeth Albert

(74) *Attorney, Agent, or Firm* — Christensen O'Connor Johnson Kindness PLLC

(57) **CLAIM**

The ornamental design for a pen, as shown and described.

DESCRIPTION

FIG. 1 is a lower front left perspective view of a pen showing my new design;

FIG. 2 is a front elevation view thereof;

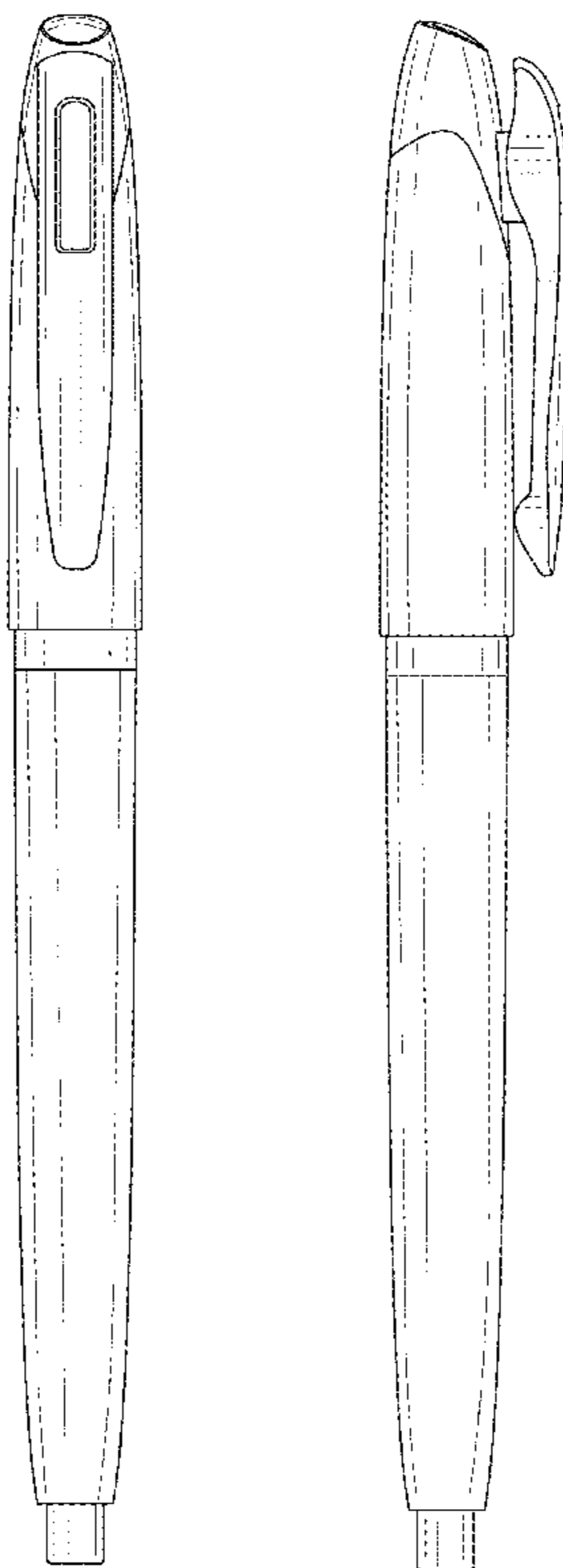
FIG. 3 is a rear elevation view thereof;

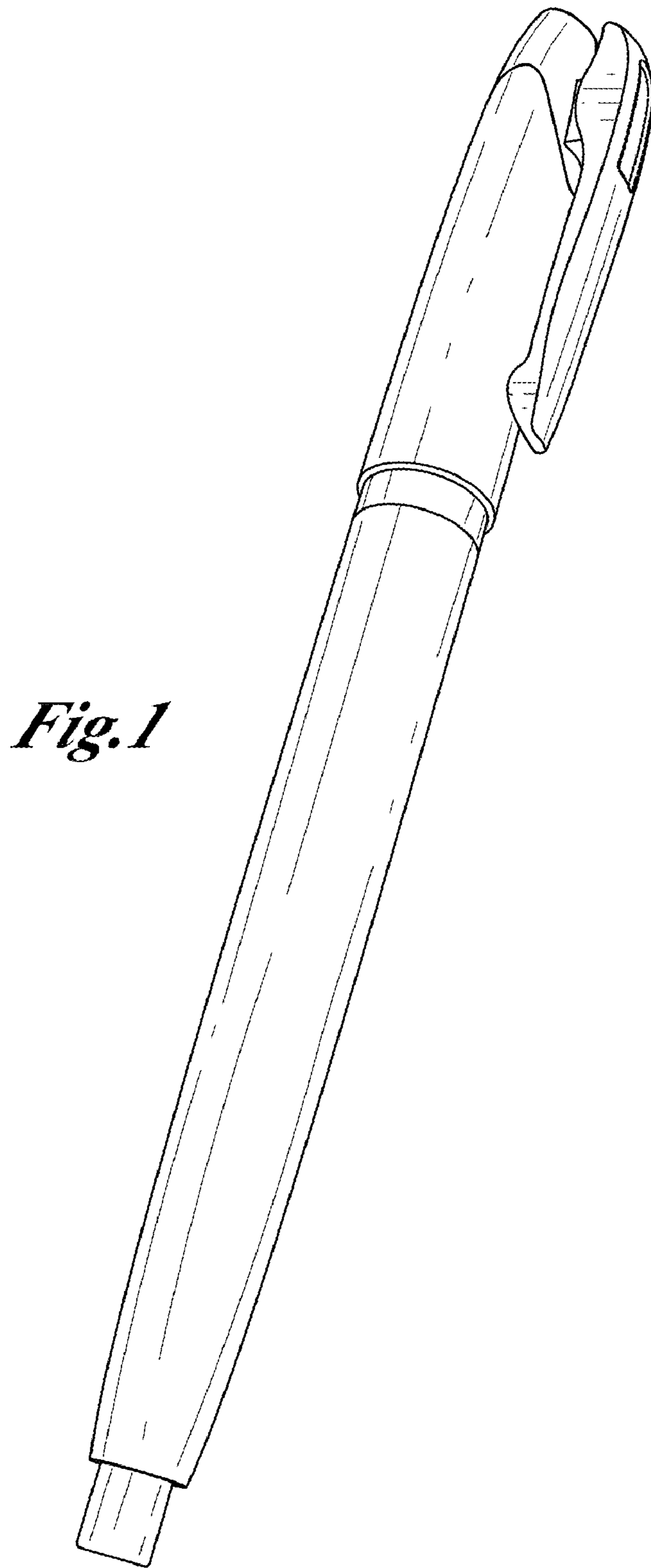
FIG. 4 is a left side elevation view thereof, with the right side elevation view being a mirror image of the left side elevation view;

FIG. 5 is an enlarged top plan view thereof; and,

FIG. 6 is an enlarged bottom plan view thereof.

1 Claim, 4 Drawing Sheets





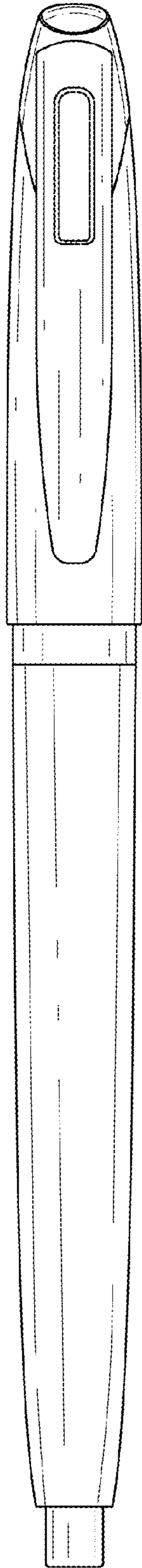


Fig. 2

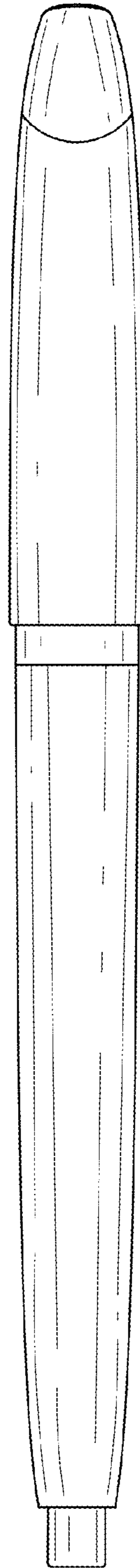


Fig. 3

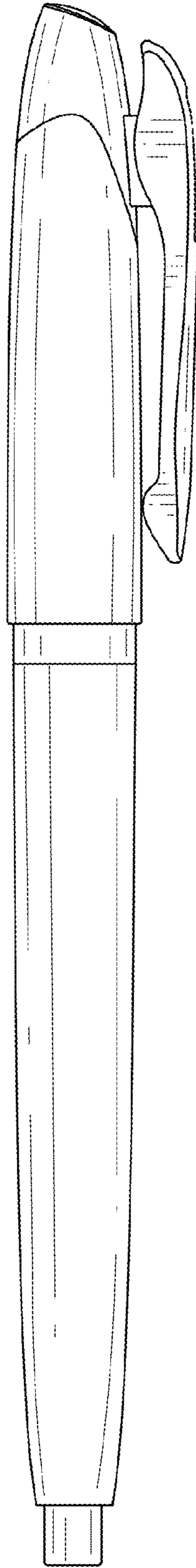


Fig. 4

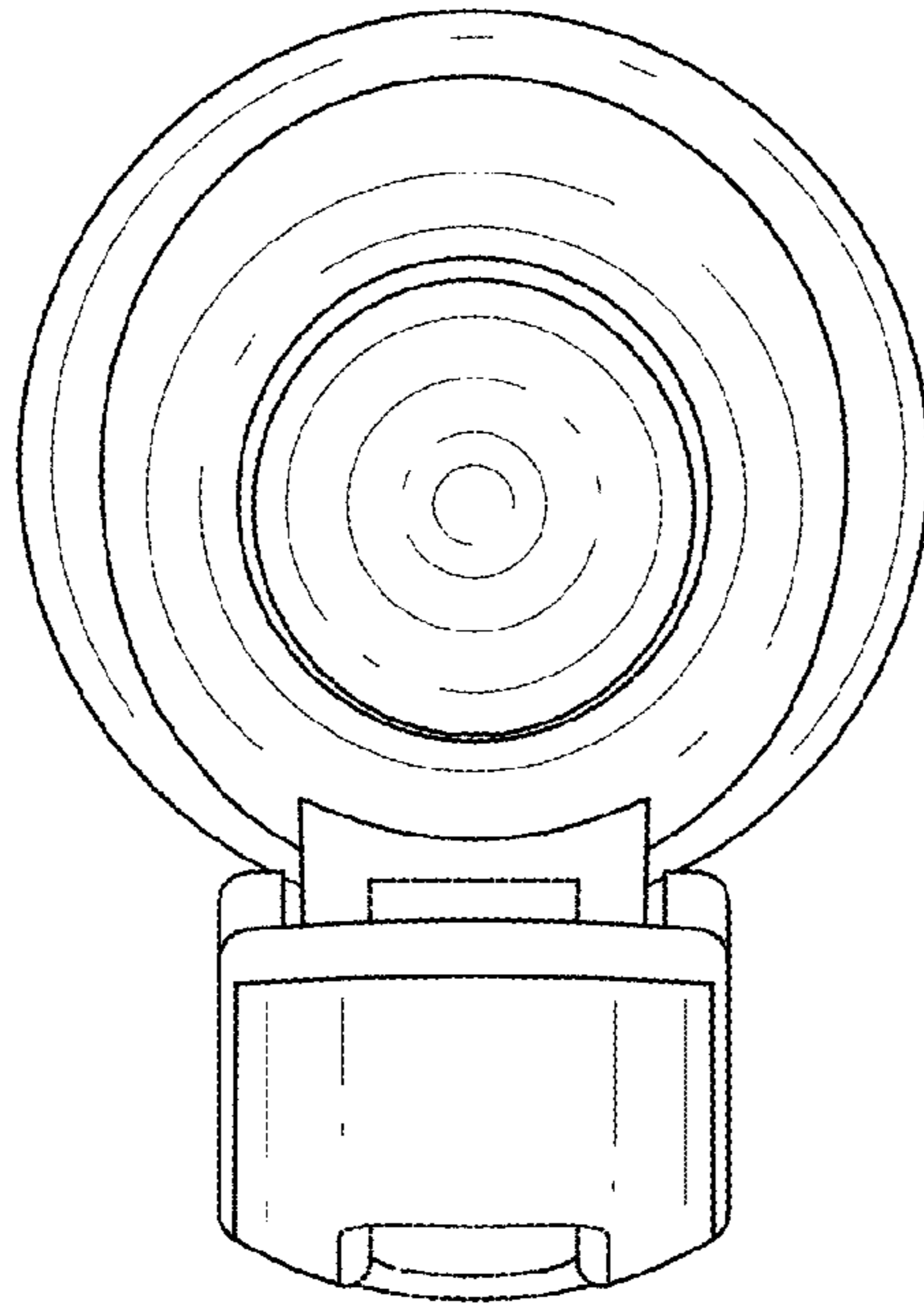


Fig. 5

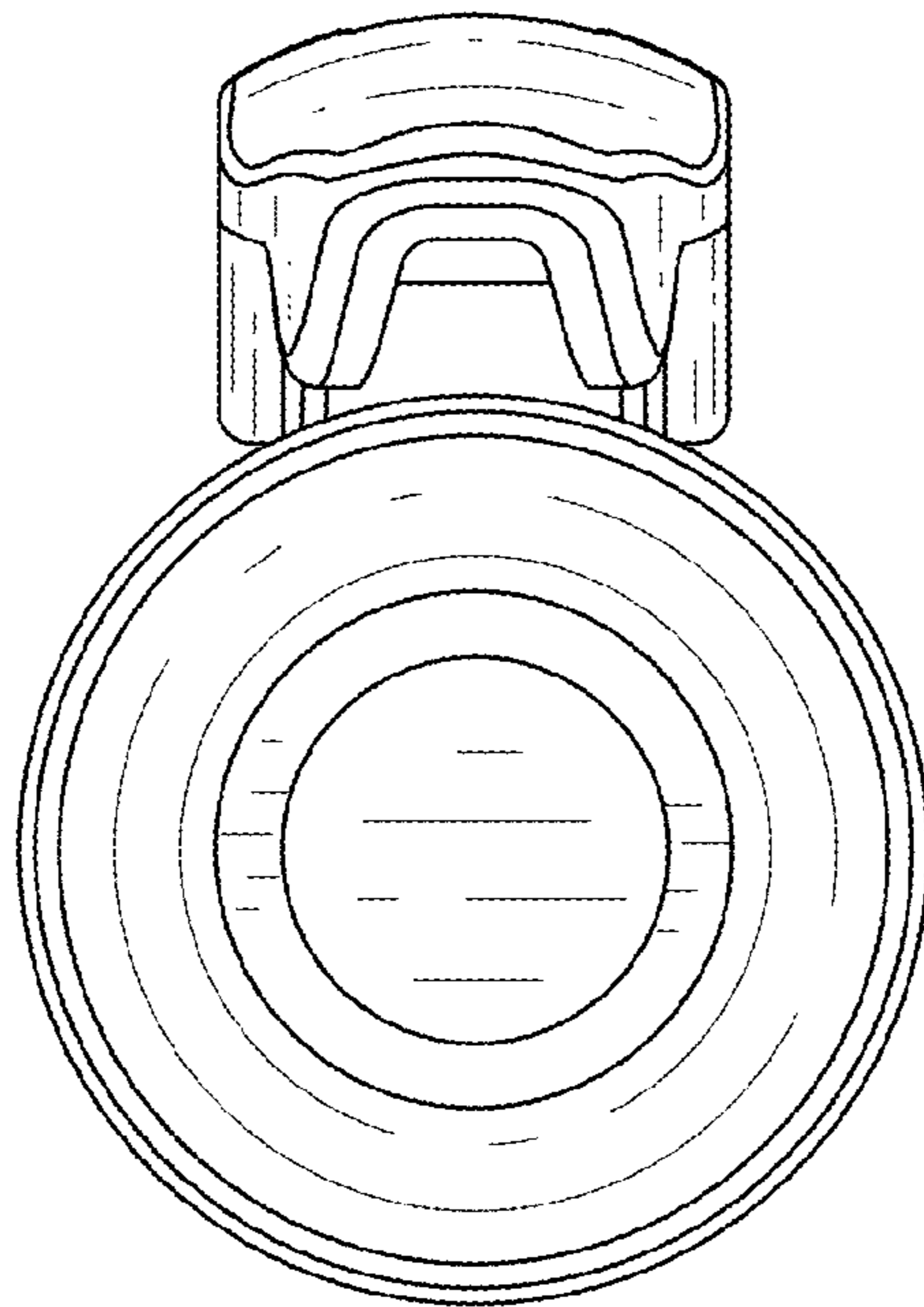


Fig. 6