



US00D678941S

(12) **United States Design Patent**
Gilbert et al.

(10) **Patent No.:** **US D678,941 S**
(45) **Date of Patent:** **** Mar. 26, 2013**

(54) **OFFICE PRINTER**

(75) Inventors: **John B Gilbert**, Portland, OR (US);
Donald A Brown, Honeoye Falls, NY
(US); **Brett Heidtke**, Tigard, OR (US);
Takenouchi Masaaki, Kanagawa (JP)

(73) Assignee: **Xerox Corporation**, Norwalk, CT (US)

(**) Term: **14 Years**

(21) Appl. No.: **29/405,063**

(22) Filed: **Oct. 28, 2011**

(51) **LOC (9) Cl.** **14-02**

(52) **U.S. Cl.** **D18/55**

(58) **Field of Classification Search** D18/19,
D18/36-38, 50, 52, 54, 54.1, 55; D14/420-425,
D14/462-470; 400/613, 613.1-613.4, 690.1-690.4,
400/691-694

See application file for complete search history.

(56) **References Cited**

U.S. PATENT DOCUMENTS

D375,974 S * 11/1996 Kogoh et al. D18/53
D377,369 S * 1/1997 Kogoh et al. D18/53
D405,109 S * 2/1999 Kenmochi et al. D18/54
D423,042 S * 4/2000 Koc et al. D18/53

D442,217 S * 5/2001 Hatanaka et al. D18/55
D452,705 S * 1/2002 Takenouchi et al. D18/55
D497,942 S * 11/2004 Yoshida et al. D18/39
D634,361 S * 3/2011 Terenzio et al. D18/55
D667,487 S * 9/2012 Falk et al. D18/55

* cited by examiner

Primary Examiner — Cathy A MacCormac

(74) *Attorney, Agent, or Firm* — Tallam J. Nguti

(57) **CLAIM**

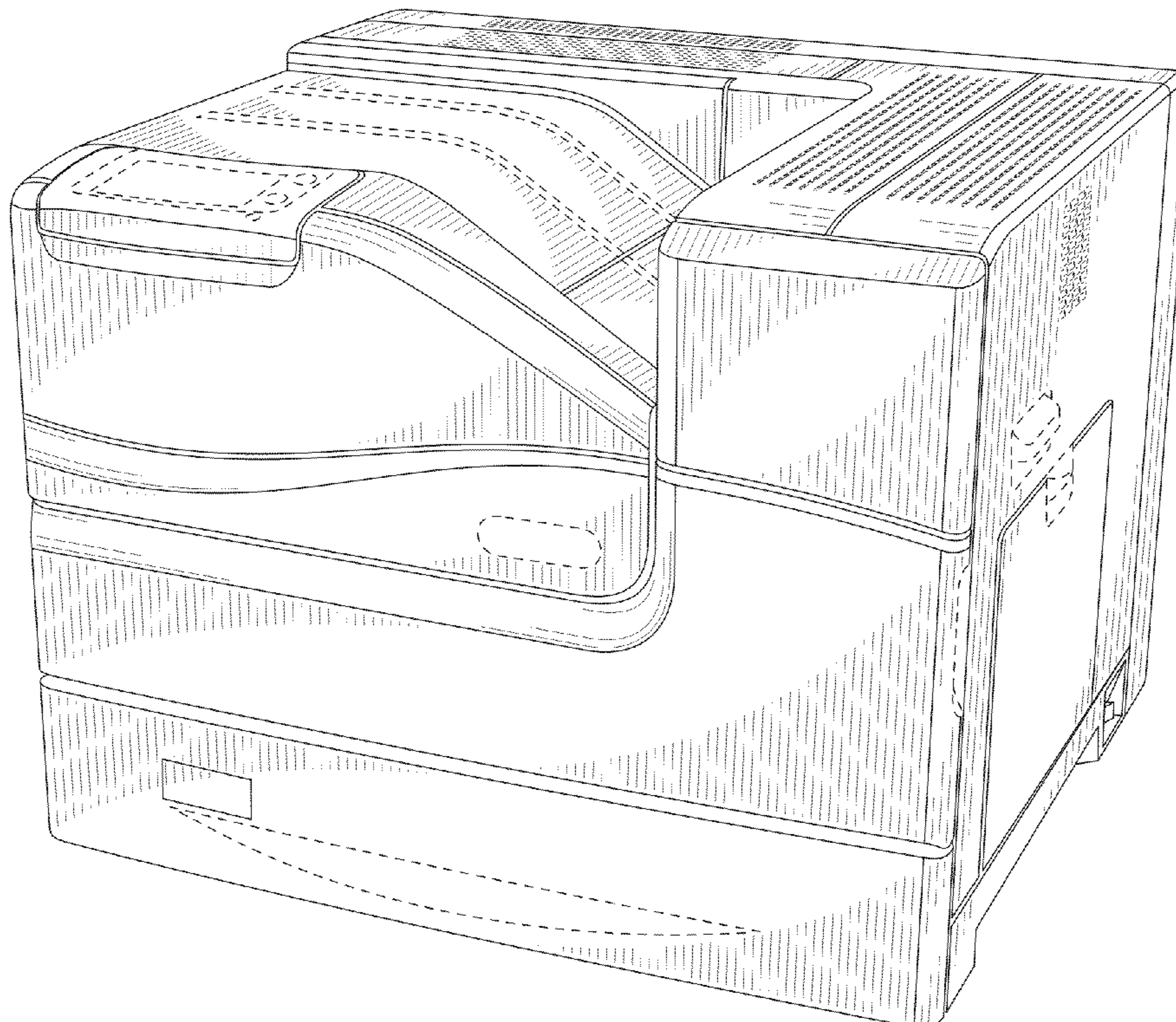
The ornamental design for an office printer, as shown and described.

DESCRIPTION

FIG. 1 is a perspective view of an office printer in accordance with the present invention;
FIG. 2 is a front view thereof;
FIG. 3 is a right side view thereof;
FIG. 4 is a rear view thereof;
FIG. 5 is a left side view thereof;
FIG. 6 is a top plan view thereof; and,
FIG. 7 is a bottom plan view thereof.

The features shown in broken lines in the drawing figures depict environmental subject matter only and form no part of the claimed design.

1 Claim, 7 Drawing Sheets



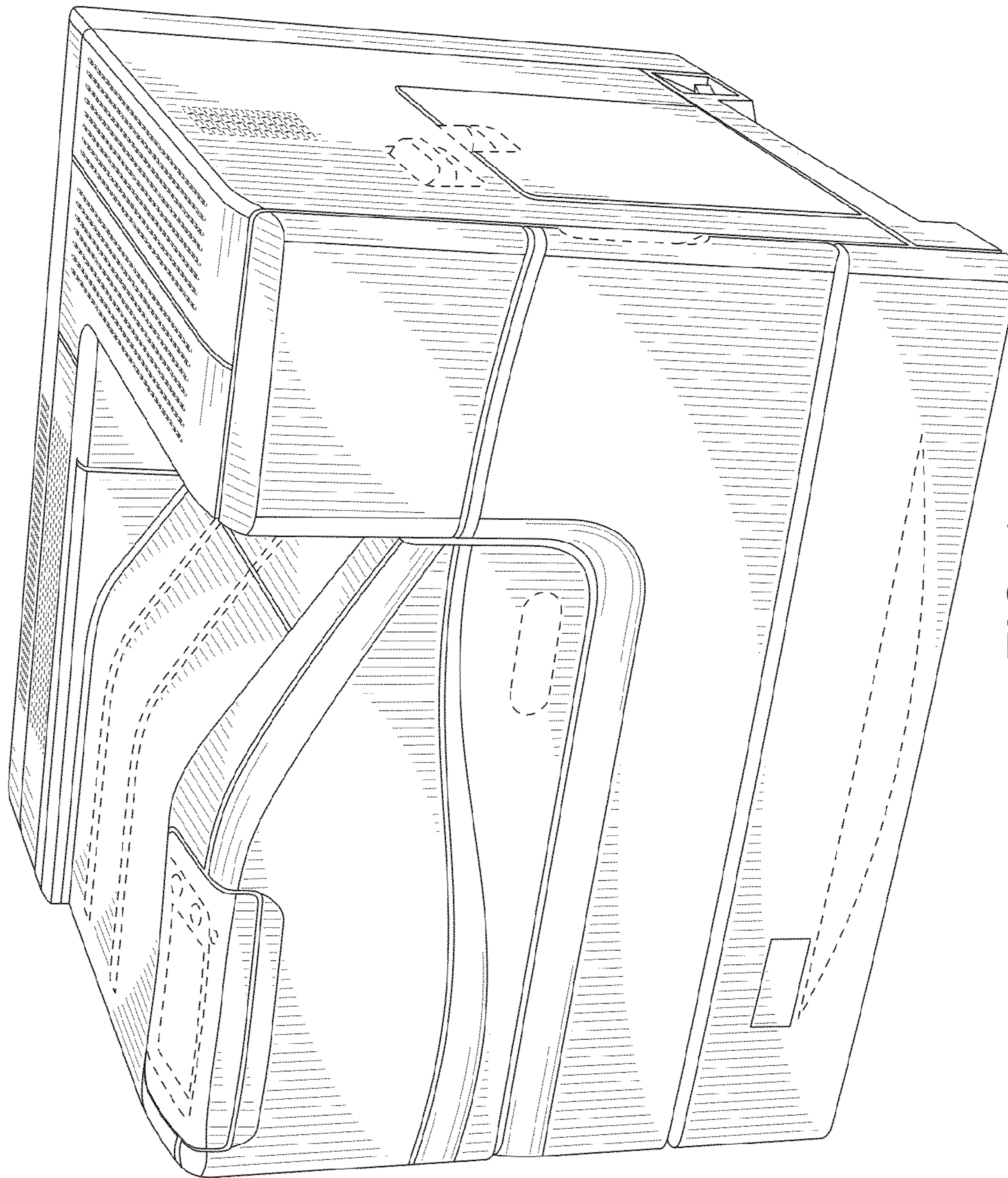


FIG. 1

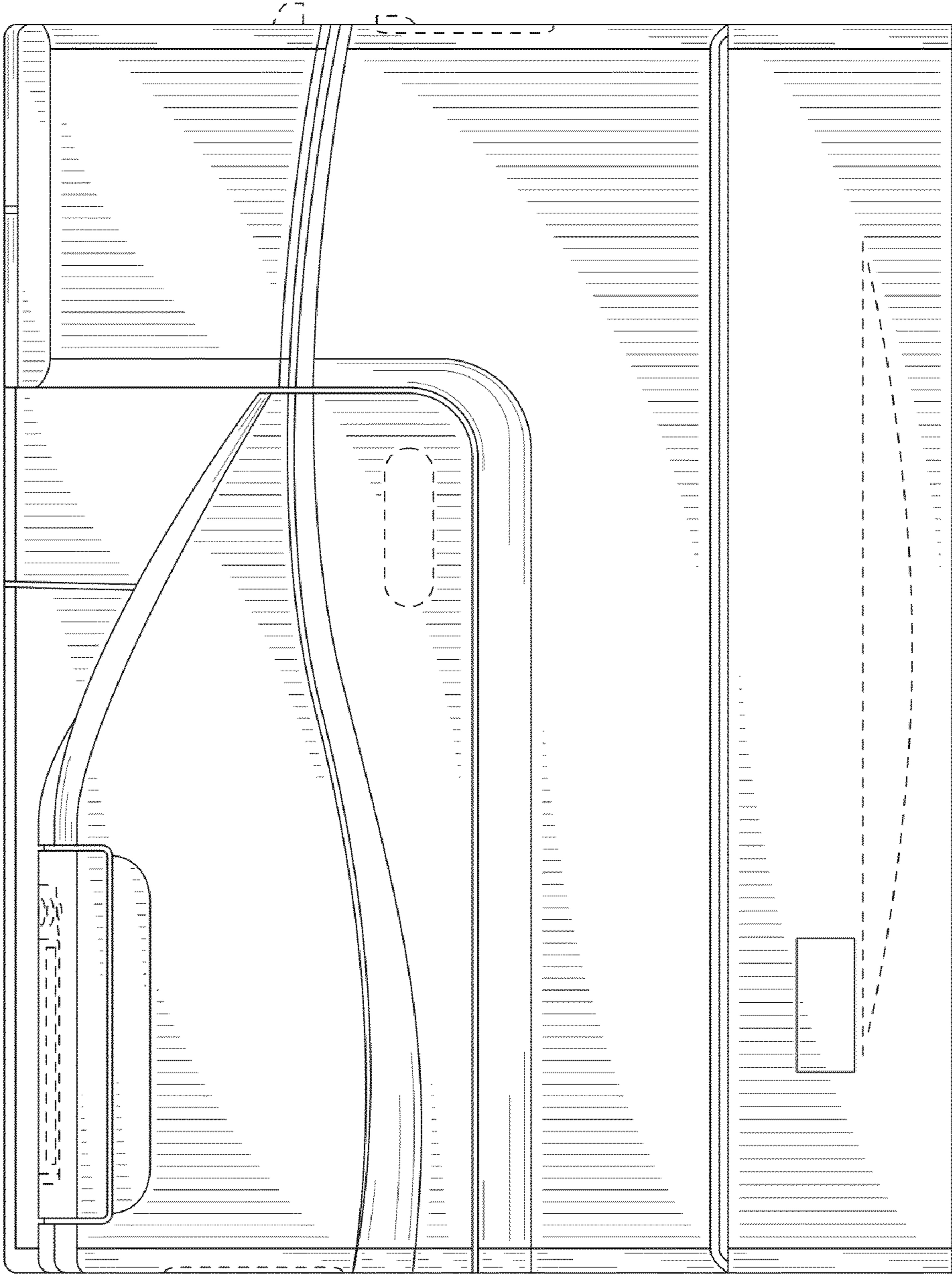


FIG. 2

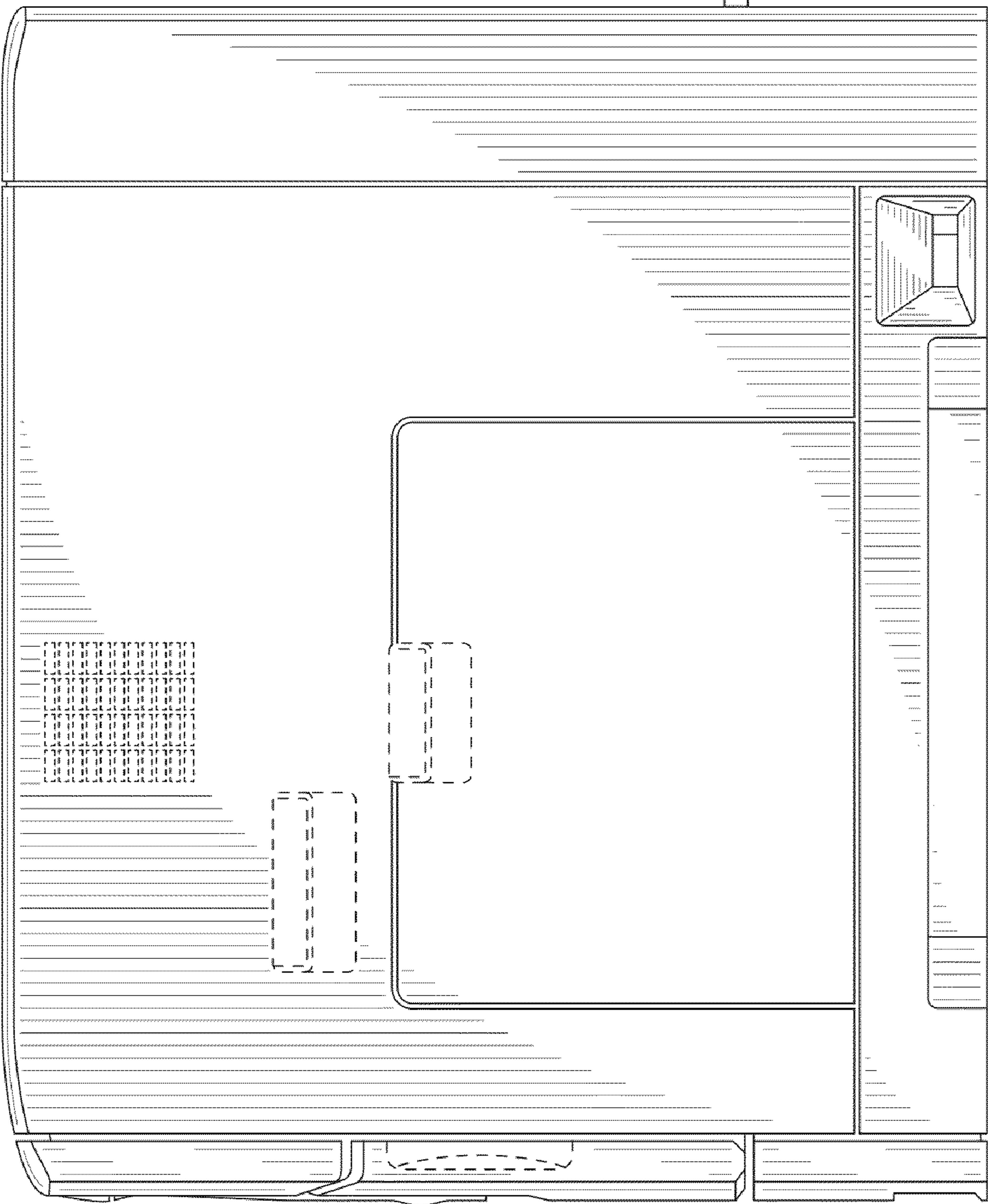


FIG. 3

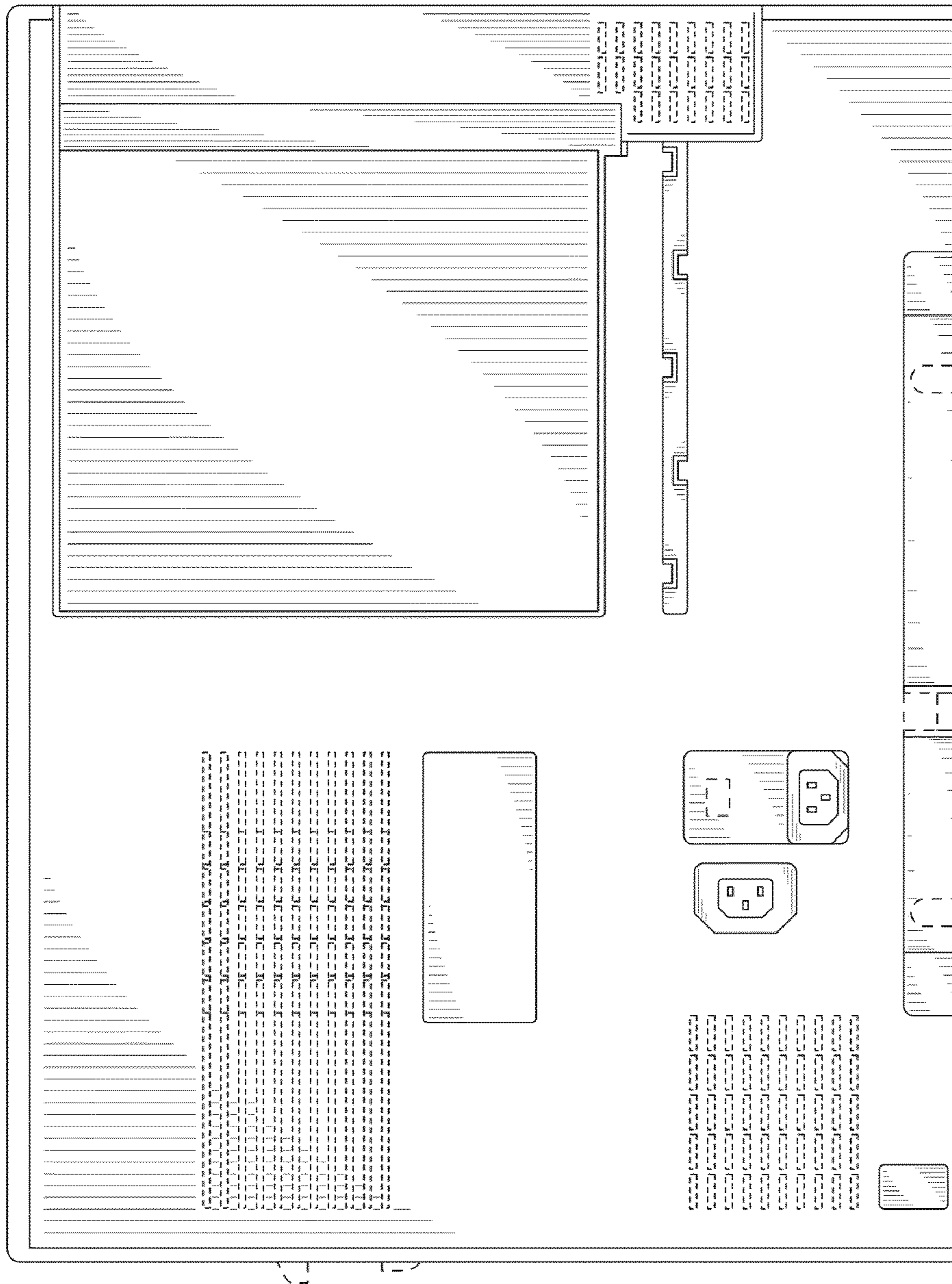


FIG. 4

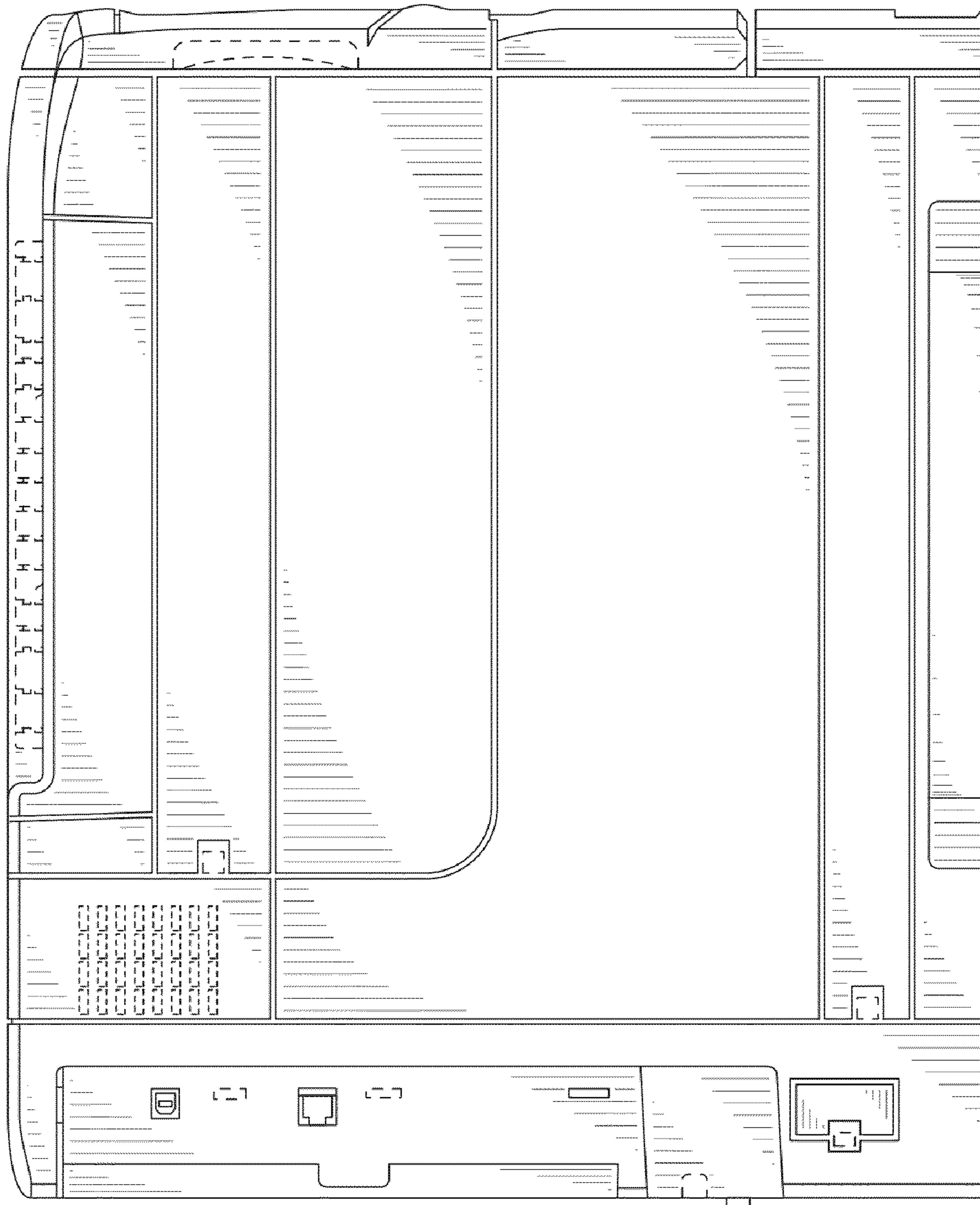


FIG. 5

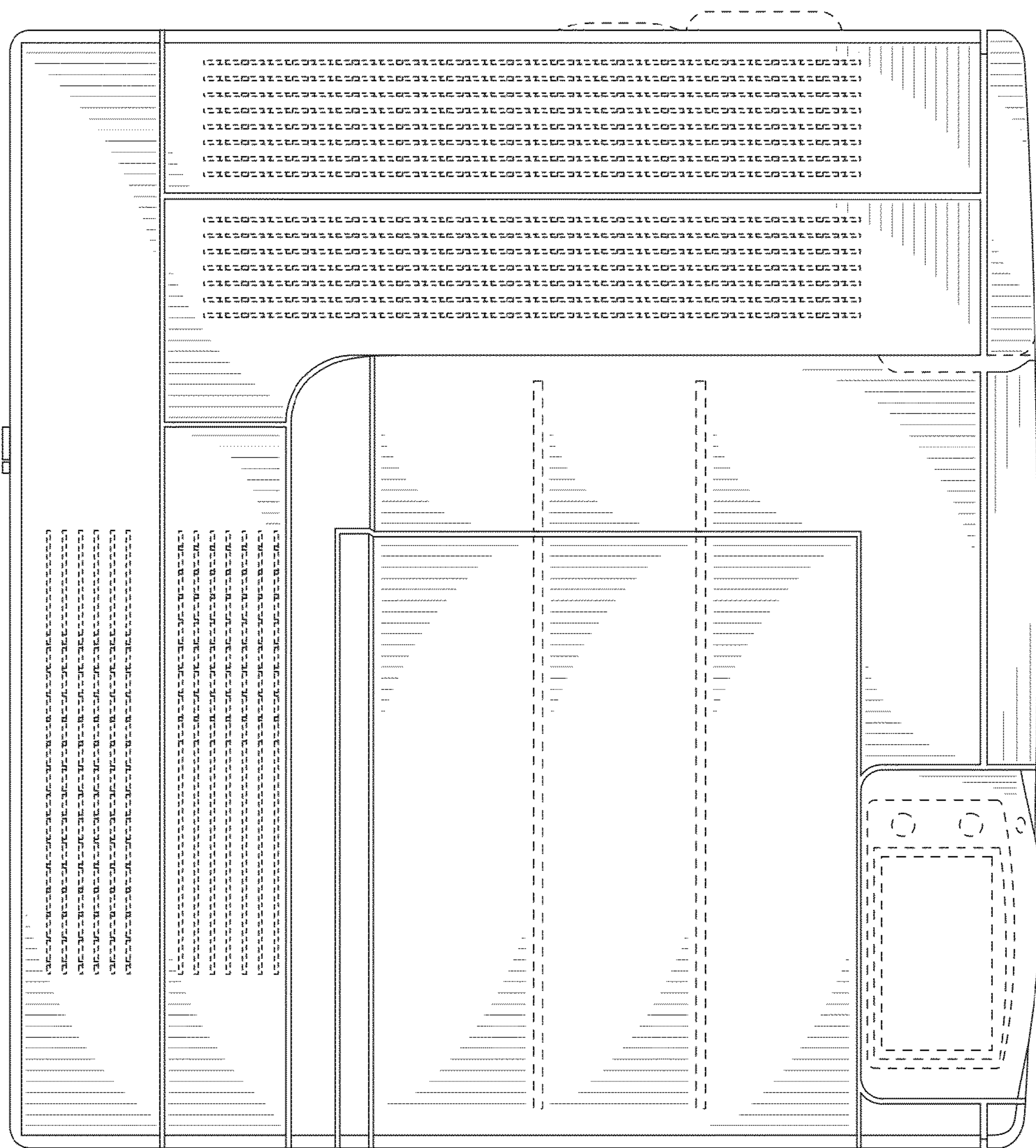


FIG. 6

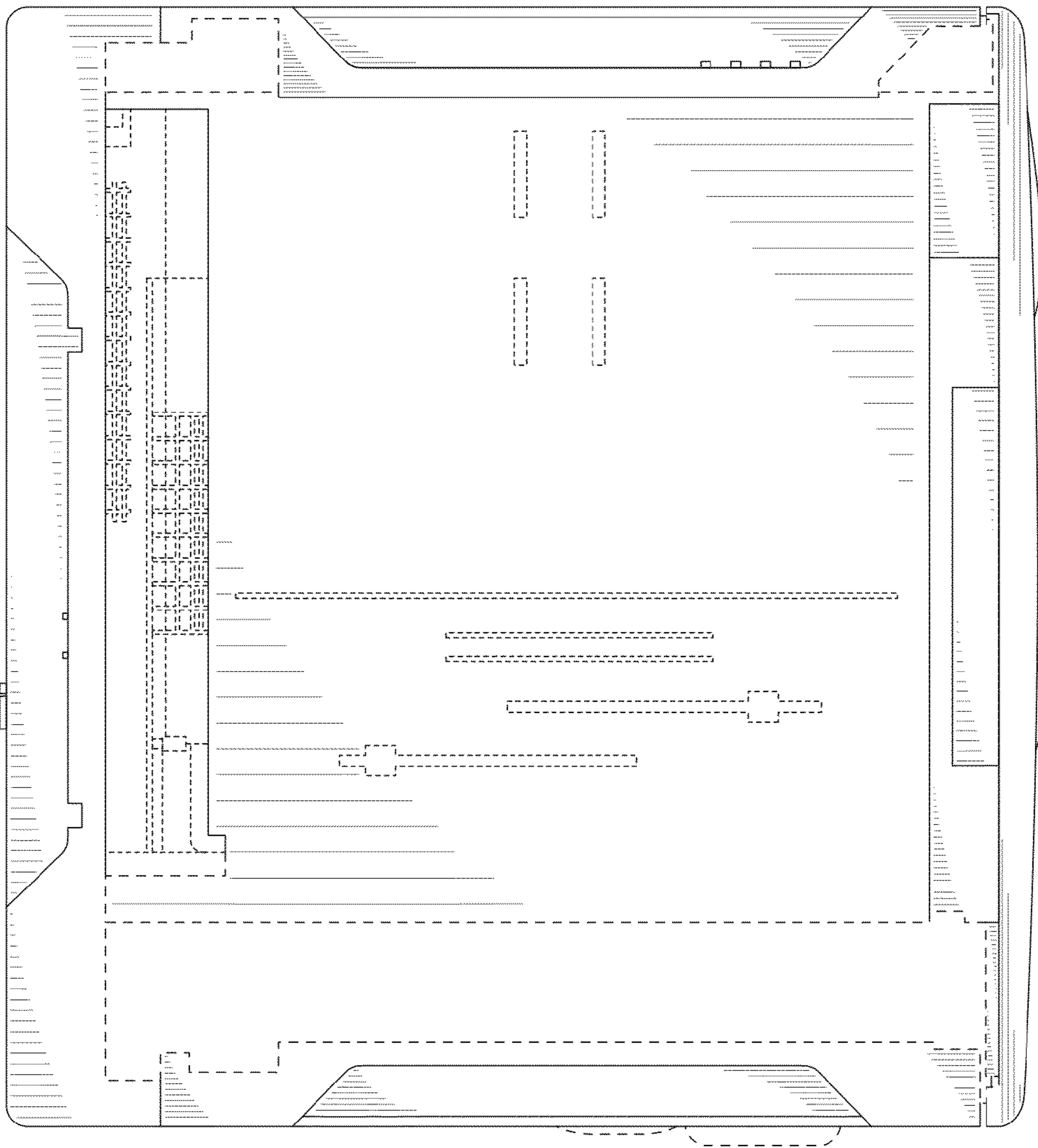


FIG. 7