



US00D678936S

(12) **United States Design Patent**
Oliver

(10) **Patent No.:** **US D678,936 S**
(45) **Date of Patent:** **** Mar. 26, 2013**

(54) **SMARTPHONE PRINTER**

(75) Inventor: **Donald Rene Oliver**, Paso Robles, CA
(US)

(73) Assignee: **Daily Systems, LLC**, Paso Robles, CA
(US)

(**) Term: **14 Years**

(21) Appl. No.: **29/372,116**

(22) Filed: **Oct. 15, 2010**

(51) **LOC (9) Cl.** **18-02**

(52) **U.S. Cl.** **D18/14**

(58) **Field of Classification Search** D18/36-37,
D18/50, 14, 54, 54.1, 55, 19, 4.4-4.6; D14/465,
D14/420, 422, 426, 385, 386, 434, 217, 253,
D14/238.1; 400/88, 613, 613.1-613.4, 690.1-690.4,
400/691-694; 399/108; 271/3.14; 347/109;
101/327

See application file for complete search history.

(56) **References Cited**

U.S. PATENT DOCUMENTS

4,734,713	A *	3/1988	Sato et al.	347/171
D313,224	S *	12/1990	Yokoi et al.	D14/346
D334,208	S *	3/1993	Barbookles et al.	D18/50
5,209,583	A *	5/1993	Lewis et al.	400/88
5,322,991	A *	6/1994	Hanson	235/462.46
D369,606	S *	5/1996	Marks	D14/218
5,579,489	A	11/1996	Dornier et al.	
D389,859	S *	1/1998	Thuma et al.	D18/14
5,828,750	A *	10/1998	Perala	379/446
D402,993	S *	12/1998	James et al.	D14/253
D409,230	S *	5/1999	Gilbertson et al.	D18/14
D412,910	S *	8/1999	Peiker	D14/253
D422,631	S *	4/2000	Toriyama et al.	D18/50
6,270,271	B1 *	8/2001	Fujiwara	400/693
6,405,055	B1 *	6/2002	Silverbrook et al.	455/556.1
6,609,844	B1 *	8/2003	Petteruti et al.	400/88
6,652,170	B1 *	11/2003	Arnold	400/88
D492,959	S *	7/2004	Nakanishi	D18/50
6,796,500	B1	9/2004	Chen	
D499,758	S *	12/2004	Fries	D18/14
6,916,128	B1	7/2005	Petteruti et al.	
6,974,270	B2 *	12/2005	Cockerill et al.	400/88

6,995,876	B2 *	2/2006	Silverbrook	358/473
7,040,822	B2 *	5/2006	Fries et al.	400/88
7,054,148	B2	5/2006	Chen et al.	
D522,566	S *	6/2006	Stender et al.	D18/50
D532,004	S *	11/2006	Kettula et al.	D14/253
D538,839	S *	3/2007	Moskaluk et al.	D18/14
D551,699	S *	9/2007	Henry	D18/50
7,287,850	B2 *	10/2007	Matsui et al.	347/109
7,430,674	B2	9/2008	von Mueller et al.	
7,577,462	B2	8/2009	Kumar	
7,663,878	B2	2/2010	Swan et al.	
D629,039	S *	12/2010	Butzek et al.	D18/50
D654,949	S *	2/2012	Preliasco et al.	D18/14
2002/0099894	A1	7/2002	Kehoe et al.	

(Continued)

Primary Examiner — Jeffrey D Asch

(74) *Attorney, Agent, or Firm* — Roland J. Tong; Brooks
Kushman P.C.

(57) **CLAIM**

The ornamental design for a smartphone printer, as shown
and described.

DESCRIPTION

FIG. 1 is a perspective view of the smartphone printer of the
present invention showing a smartphone that can be attached
thereon.

FIG. 2 is a left side view of the smartphone printer shown in
FIG. 1.

FIG. 3 is a right side view of the smartphone printer shown in
FIG. 1.

FIG. 4 is a front view of the smartphone printer shown in FIG.
1.

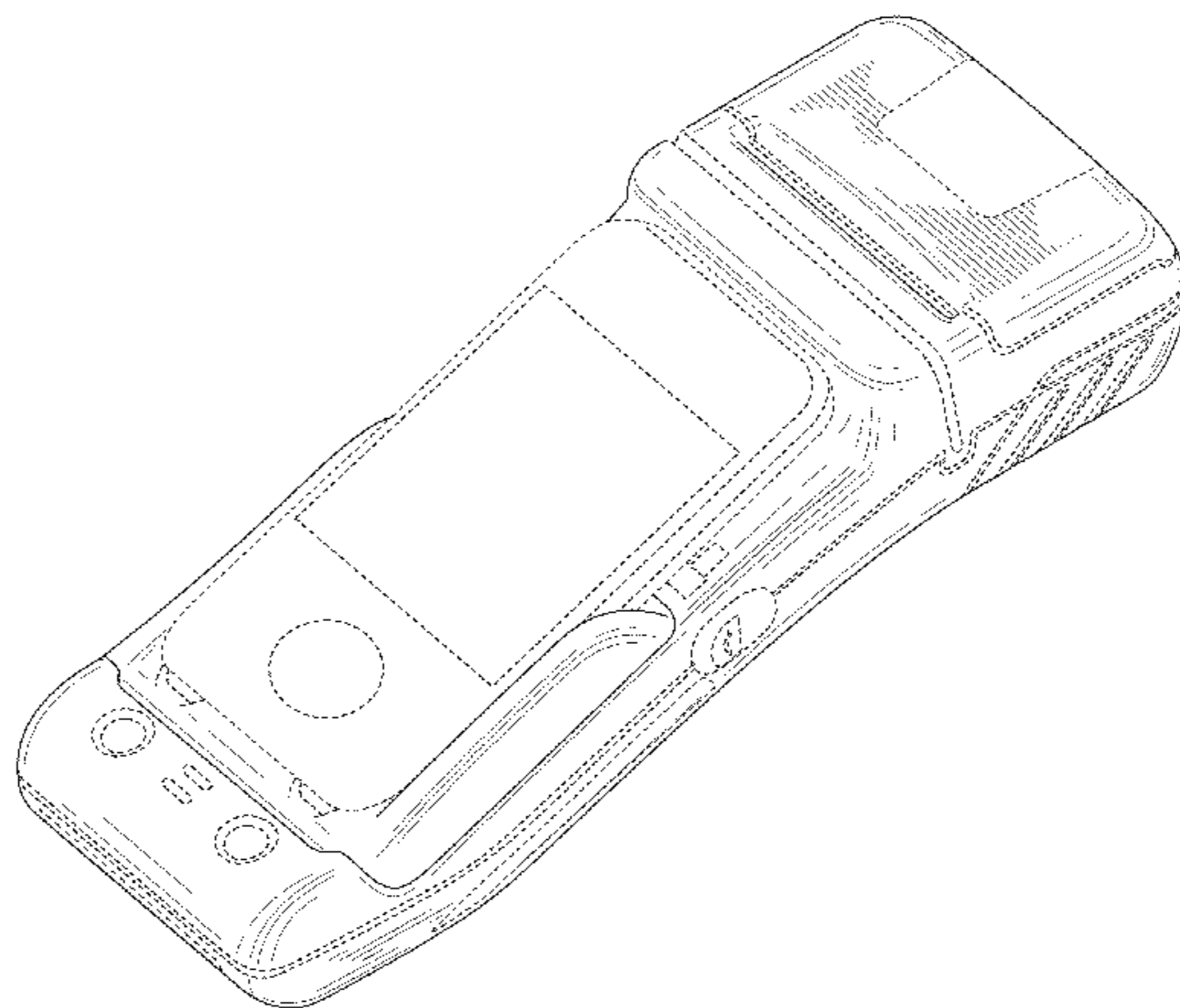
FIG. 5 is a rear view of the smartphone printer shown in FIG.
1.

FIG. 6 is a top plan view of the smartphone printer shown in
FIG. 1; and,

FIG. 7 is a bottom plan view of the smartphone printer shown
in FIG. 1.

The broken lines shown in the figures that are immediately
adjacent to surfaces that include shading and define unshaded
regions, represent the bounds of the claim, while all other
broken lines are directed to environment and are for illustra-
tive purposes only; the broken lines form no part of the
claimed design. All surfaces that are uninterrupted by a bro-
ken or solid line and include surface shading at any point
thereon are included in the claim.

1 Claim, 6 Drawing Sheets



US D678,936 S

Page 2

U.S. PATENT DOCUMENTS								
2004/0066447	A1*	4/2004	Arnold	347/109	2007/0184879	A1*	8/2007 Nakai	455/573
2004/0093444	A1	5/2004	Liao		2008/0192410	A1	8/2008 Kumar	
2006/0145039	A1	7/2006	Shawver		2009/0063744	A1	3/2009 Krueger et al.	
2007/0025600	A1*	2/2007	Ghebreyesus	382/124				

* cited by examiner

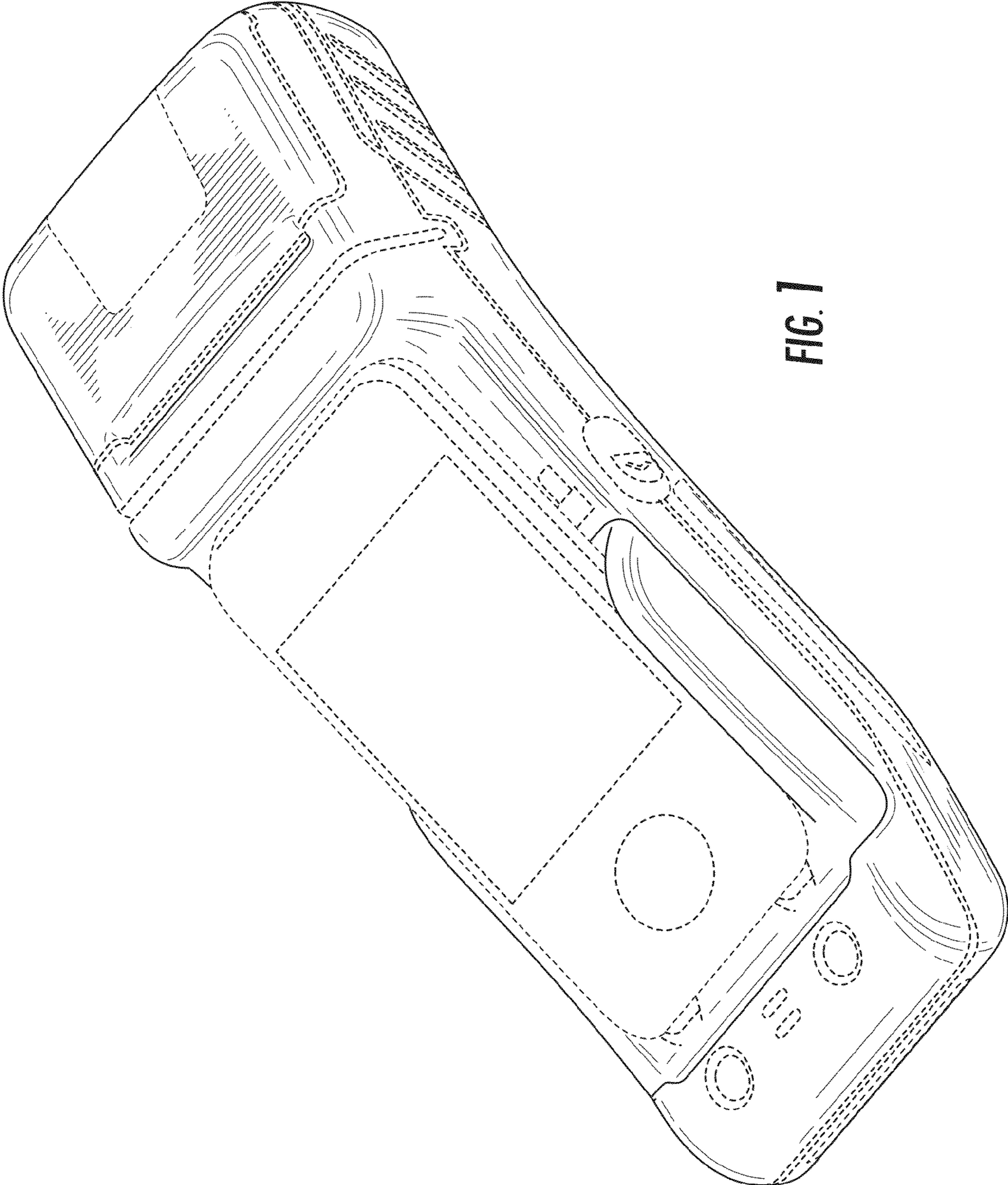


FIG. 1

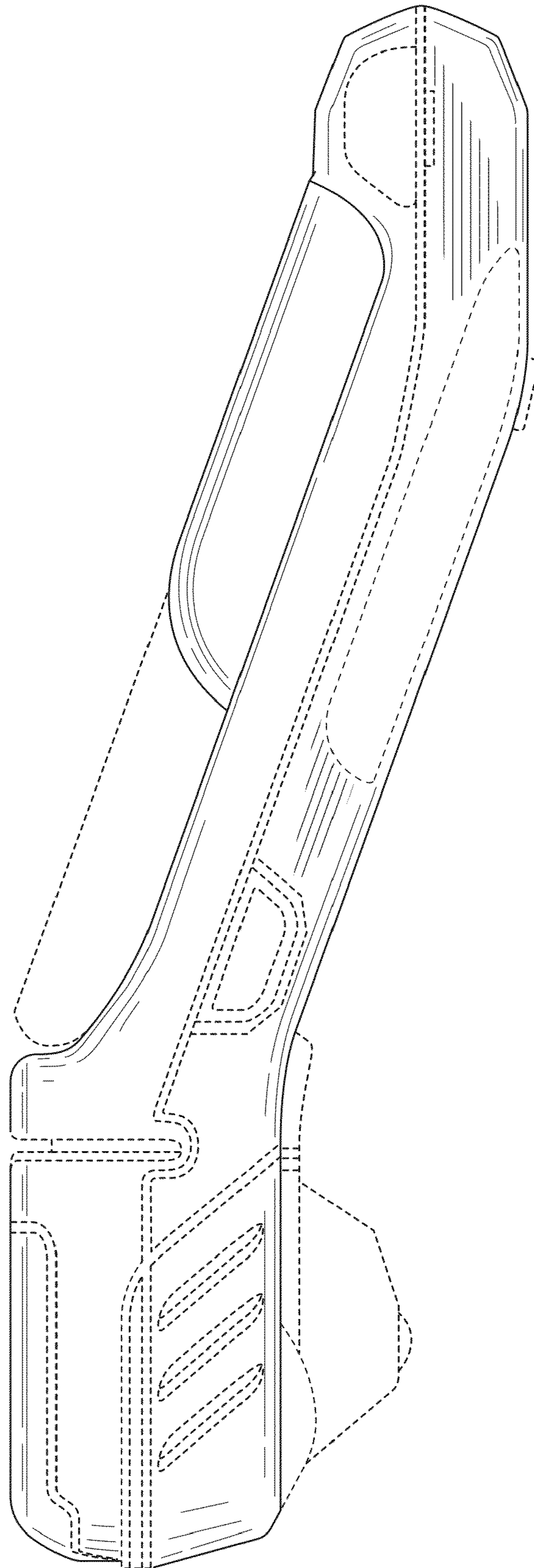


FIG. 2

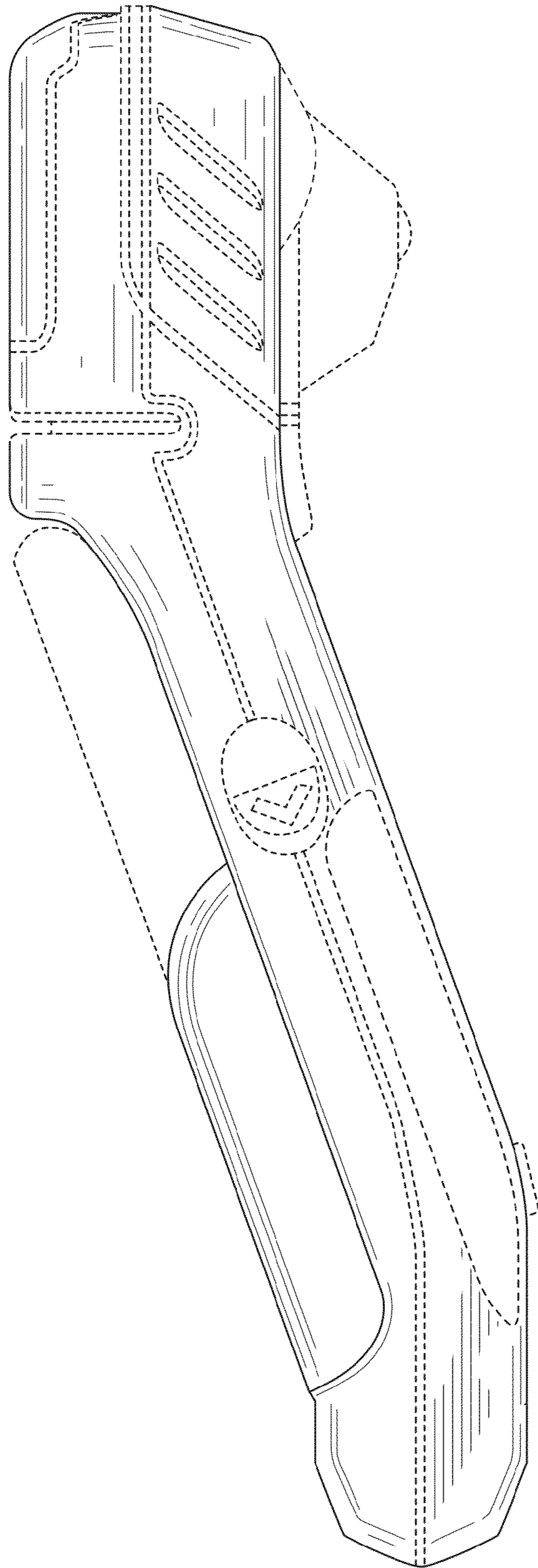


FIG. 3

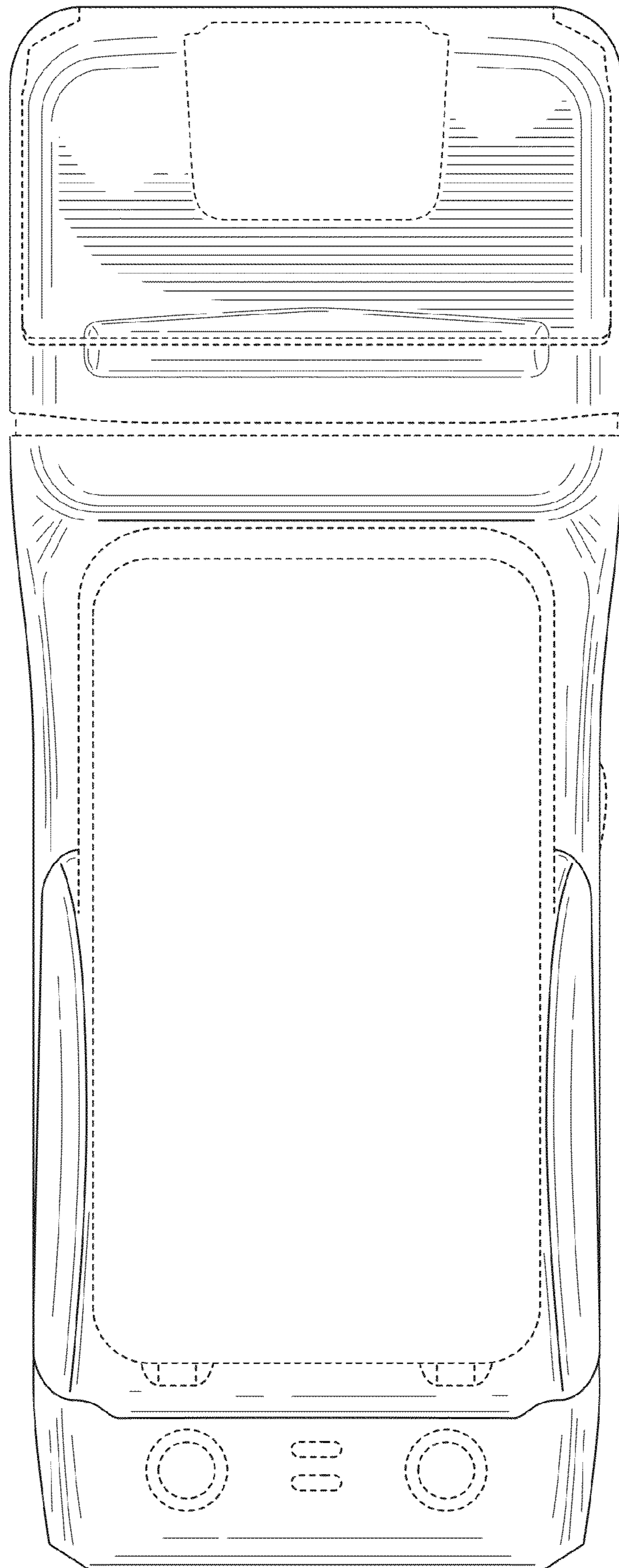


FIG. 4

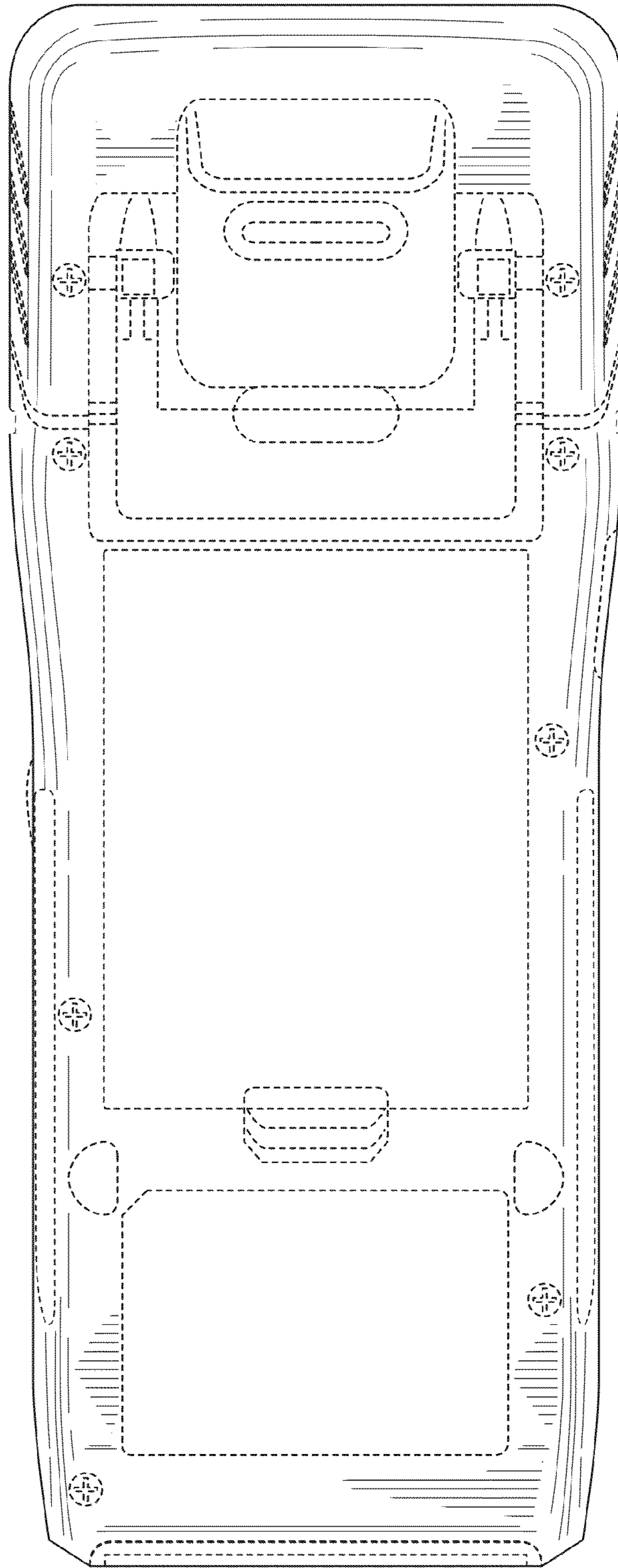


FIG. 5

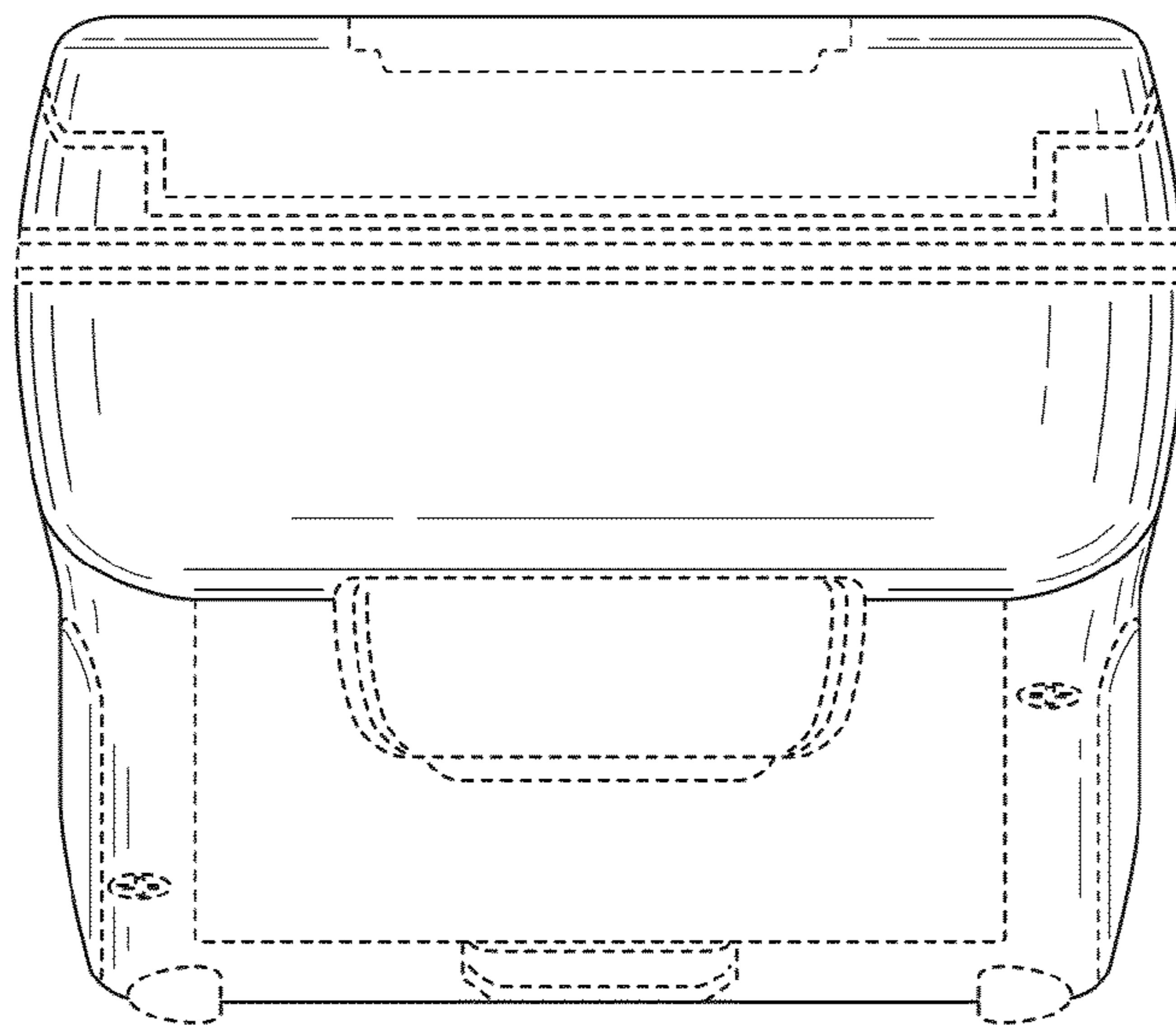


FIG. 6

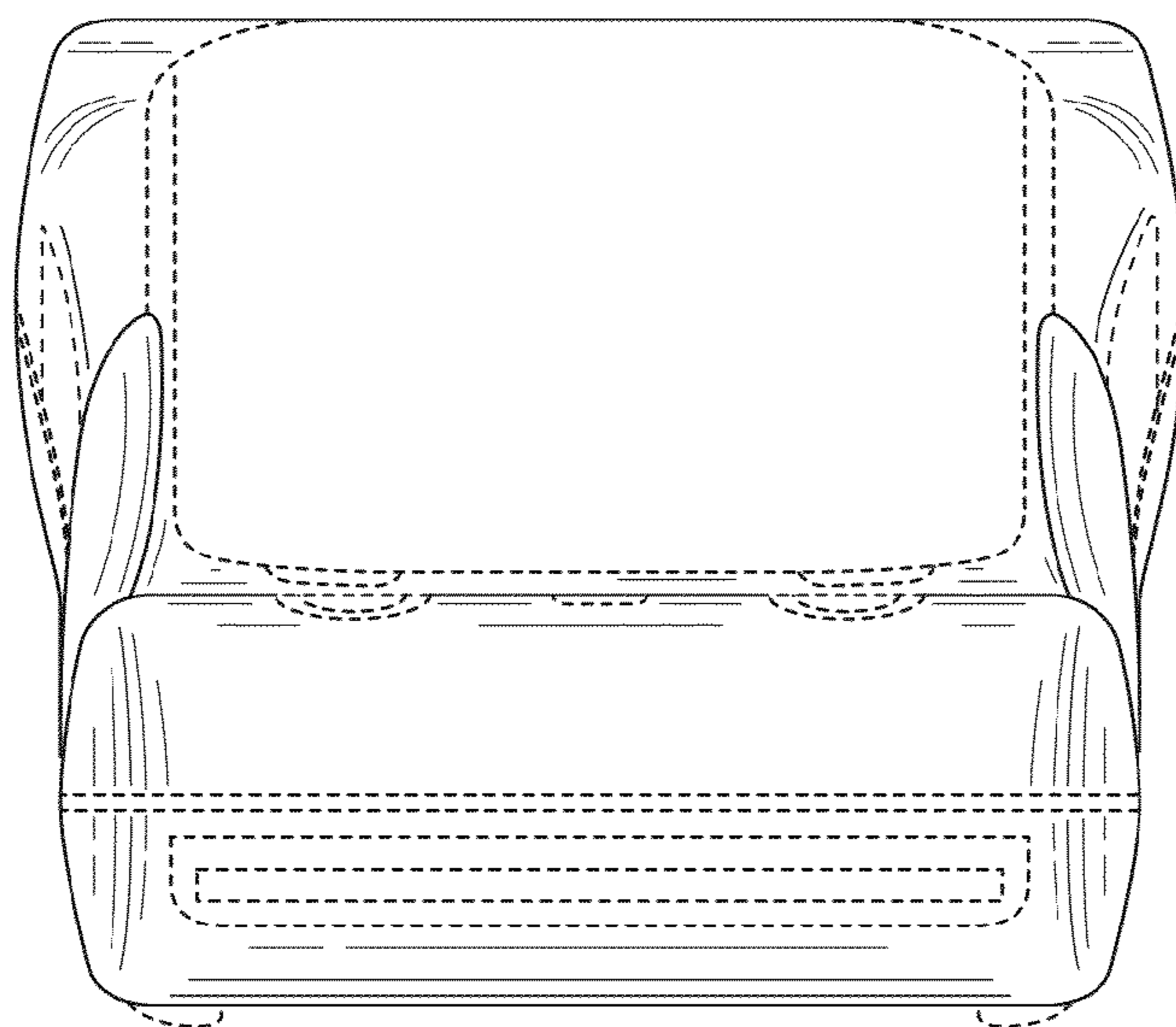


FIG. 7