



US00D678930S

(12) **United States Design Patent**
Ho

(10) **Patent No.:** **US D678,930 S**
(45) **Date of Patent:** **** Mar. 26, 2013**

(54) **PROJECTOR**

(75) Inventor: **Ming-Ling Ho**, Taipei Hsien (TW)

(73) Assignee: **Acer Incorporated**, Taipei Hsien (TW)

(**) Term: **14 Years**

(21) Appl. No.: **29/406,142**

(22) Filed: **Nov. 10, 2011**

(30) **Foreign Application Priority Data**

Jul. 19, 2011 (TW) 100303678

(51) **LOC (9) Cl.** **16-02**

(52) **U.S. Cl.** **D16/229**

(58) **Field of Classification Search** D16/200–205,
D16/208, 211–214, 221, 225, 229, 230–231,
D16/234, 246; 353/115, 119, 122
See application file for complete search history.

(56) **References Cited**

U.S. PATENT DOCUMENTS

3,221,598 A * 12/1965 Hall 353/122
D219,073 S * 10/1970 Ainslie D16/230
5,823,651 A * 10/1998 Helot et al. 353/119
5,973,729 A * 10/1999 Washizu 353/119

D446,539 S * 8/2001 Gotham et al. D16/246
D518,500 S * 4/2006 Loew D16/229
D569,408 S * 5/2008 Solomon et al. D16/229
2011/0128510 A1 * 6/2011 Matsumoto et al. 353/119
2011/0188004 A1 * 8/2011 Maeda et al. 353/119

* cited by examiner

Primary Examiner — Wan Laymon

(74) *Attorney, Agent, or Firm* — McClure, Qualey & Rodack, LLP

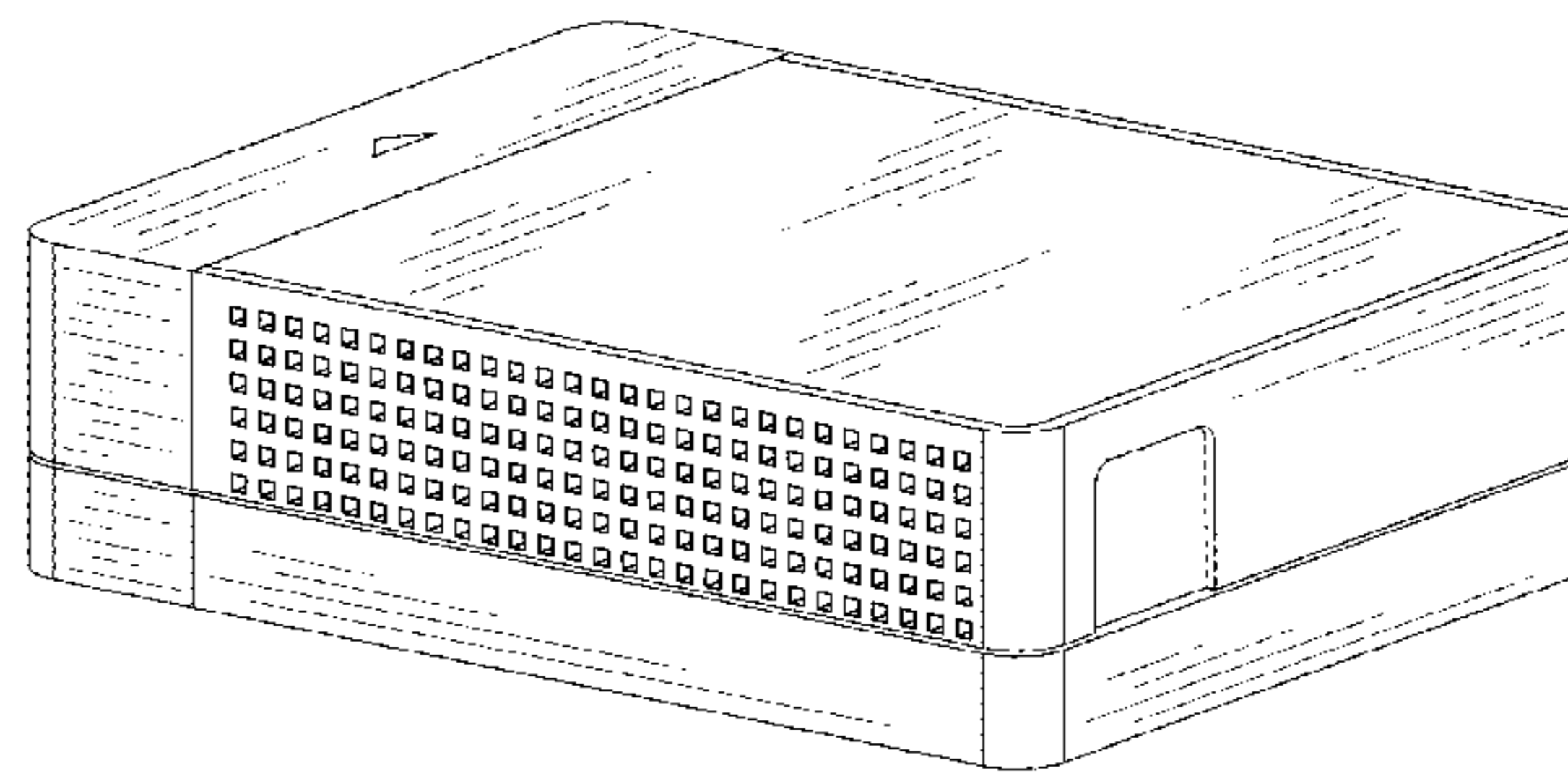
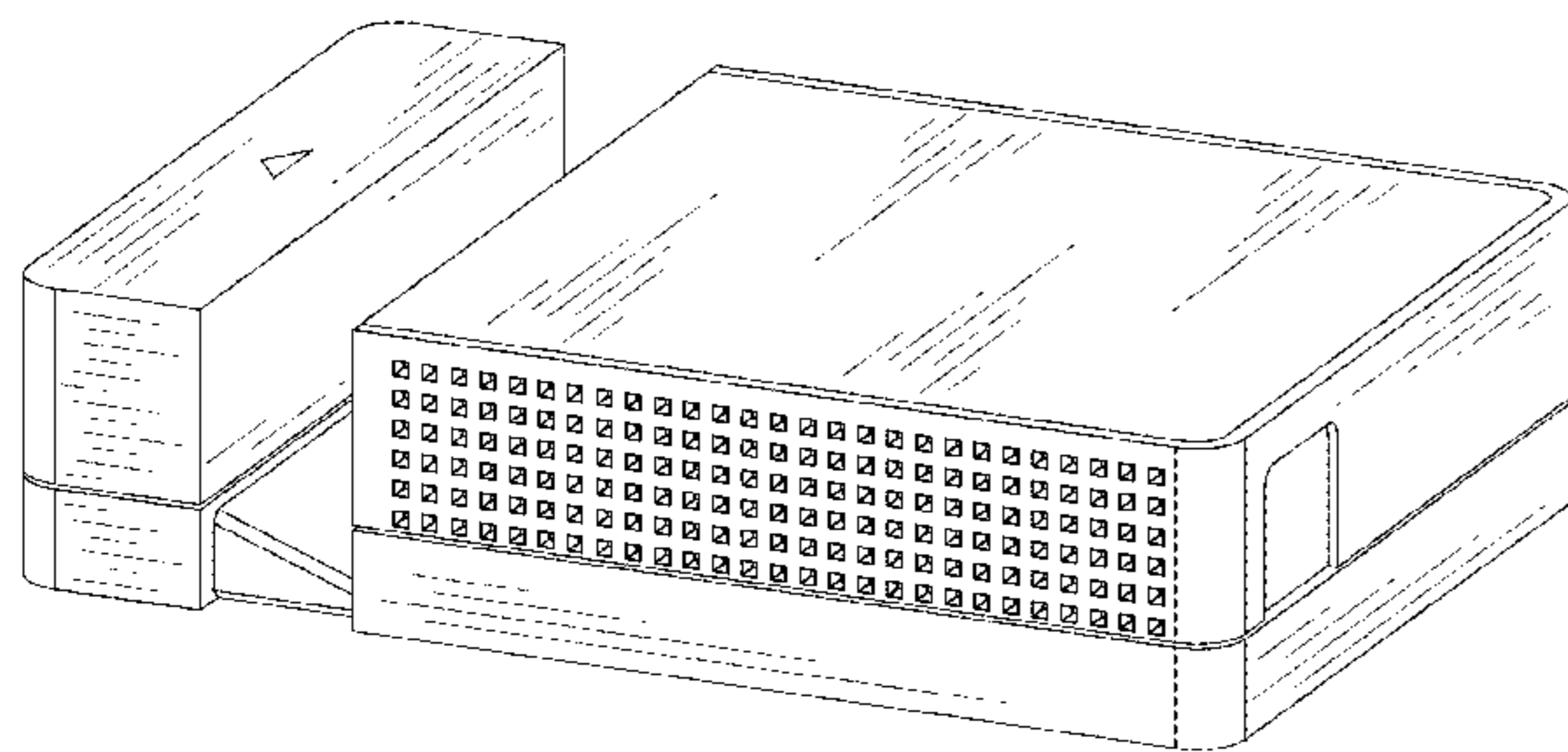
(57) **CLAIM**

The ornamental design for projector, as shown and described.

DESCRIPTION

FIG. 1 is a front perspective view thereof;
FIG. 2 is a front view thereof;
FIG. 3 is a rear view thereof;
FIG. 4 is a left side view thereof;
FIG. 5 is a right side view thereof;
FIG. 6 is a top plan view thereof;
FIG. 7 is a bottom plan view thereof;
FIG. 8 is a front perspective view thereof, wherein the projector is closed; and,
FIGS. 9-10 are reference views thereof.
The broken line showing portion of the projector in FIGS. 6, 7, 9 and 10, is for illustrative purposes only and forms no part of the claimed design.

1 Claim, 8 Drawing Sheets



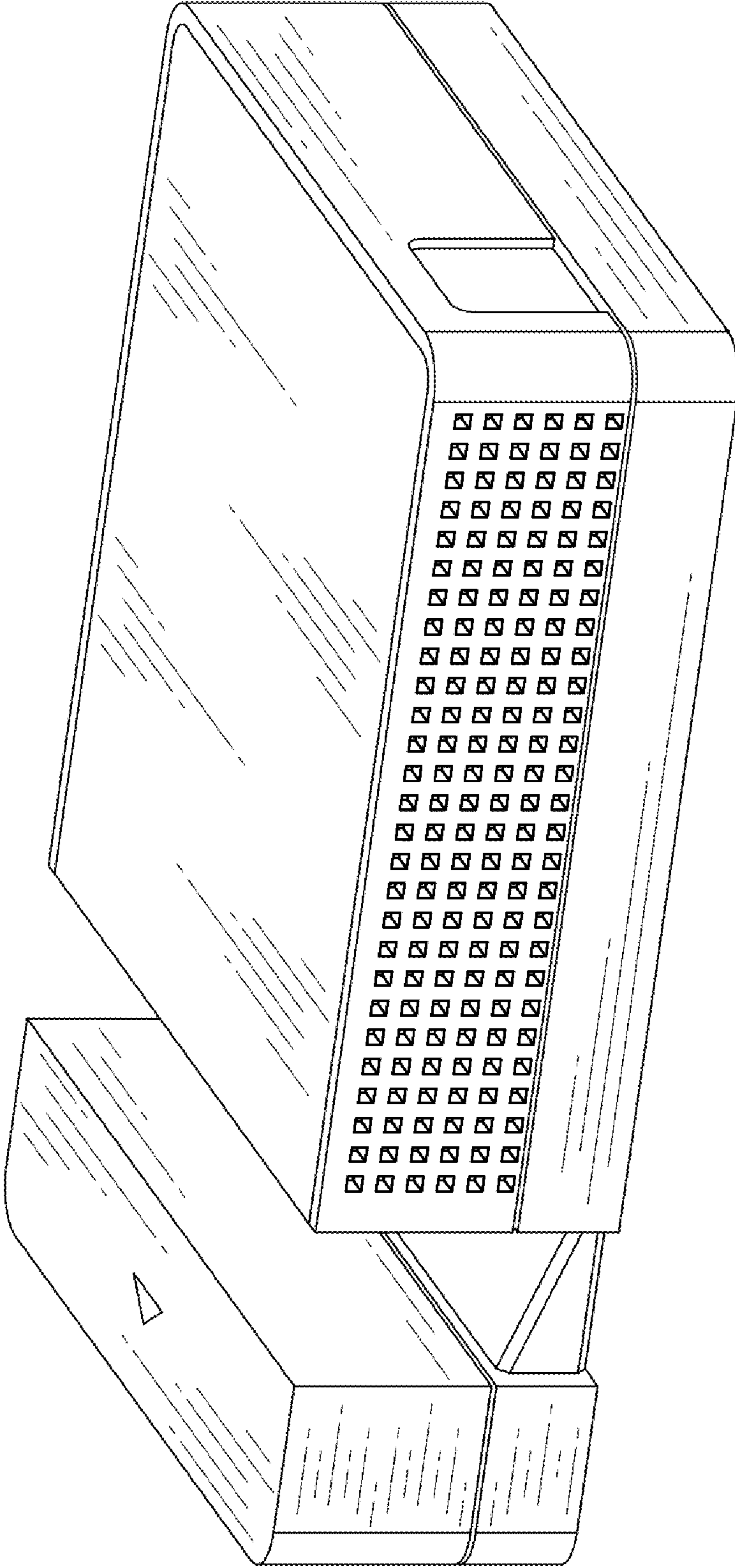


FIG. 1

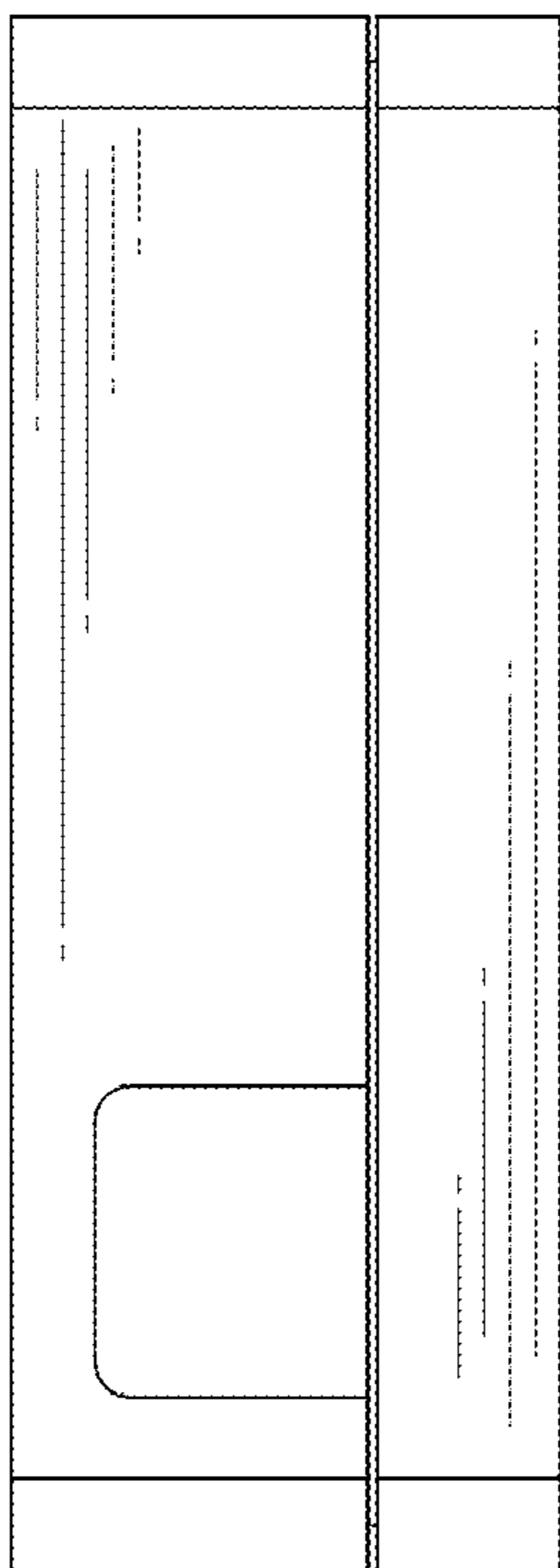


FIG. 2

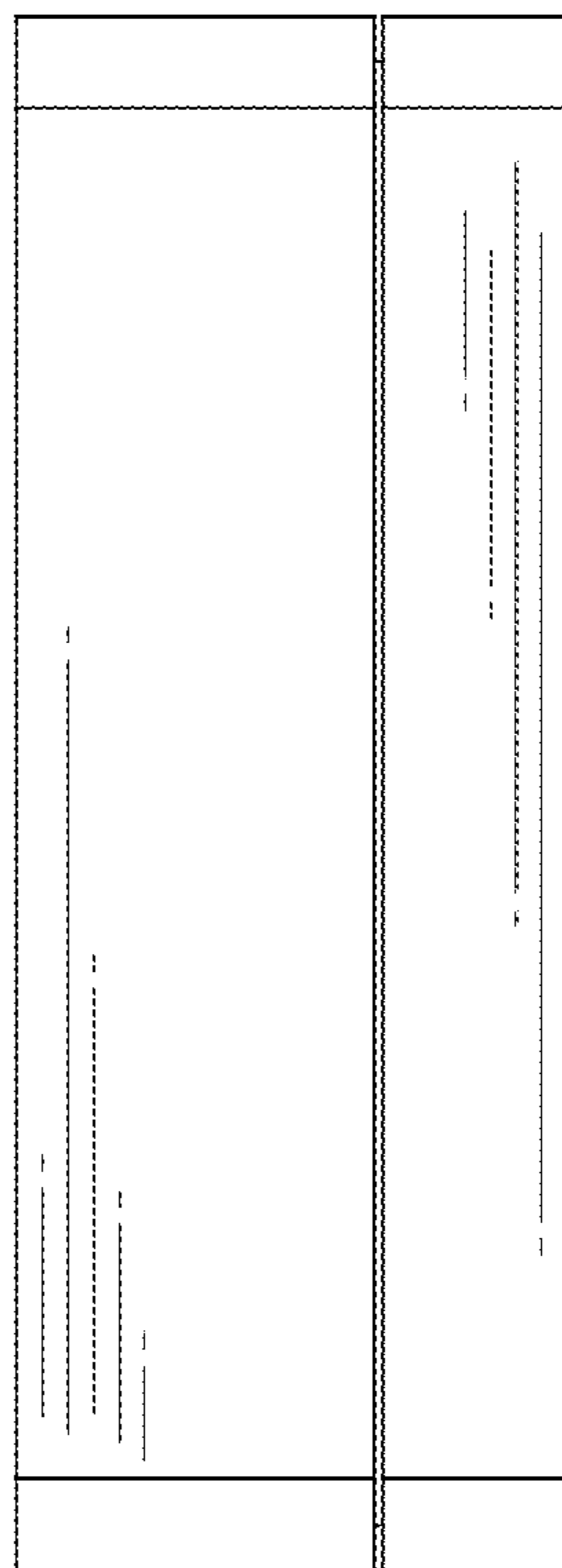


FIG. 3

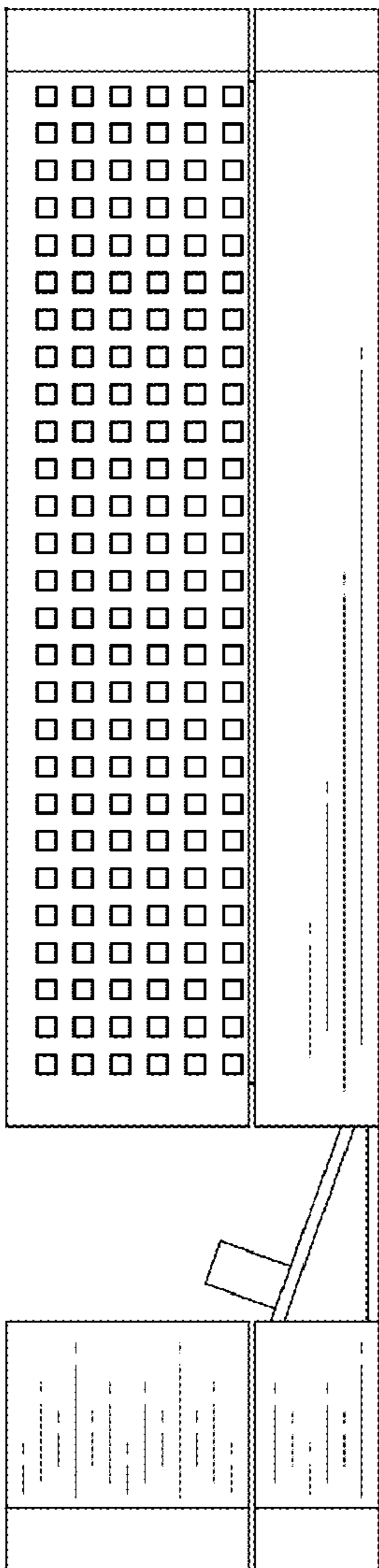


FIG. 4

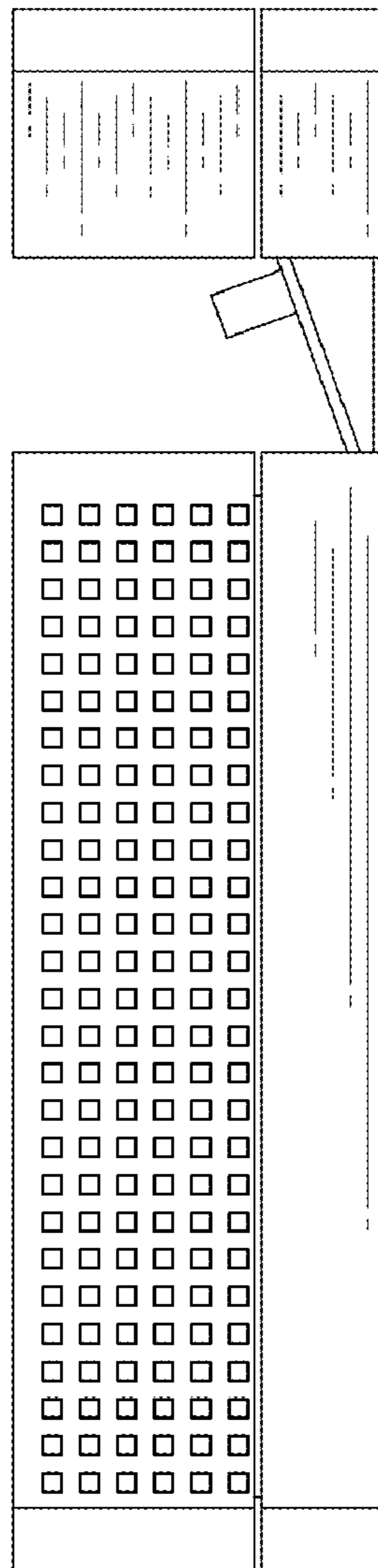


FIG. 5

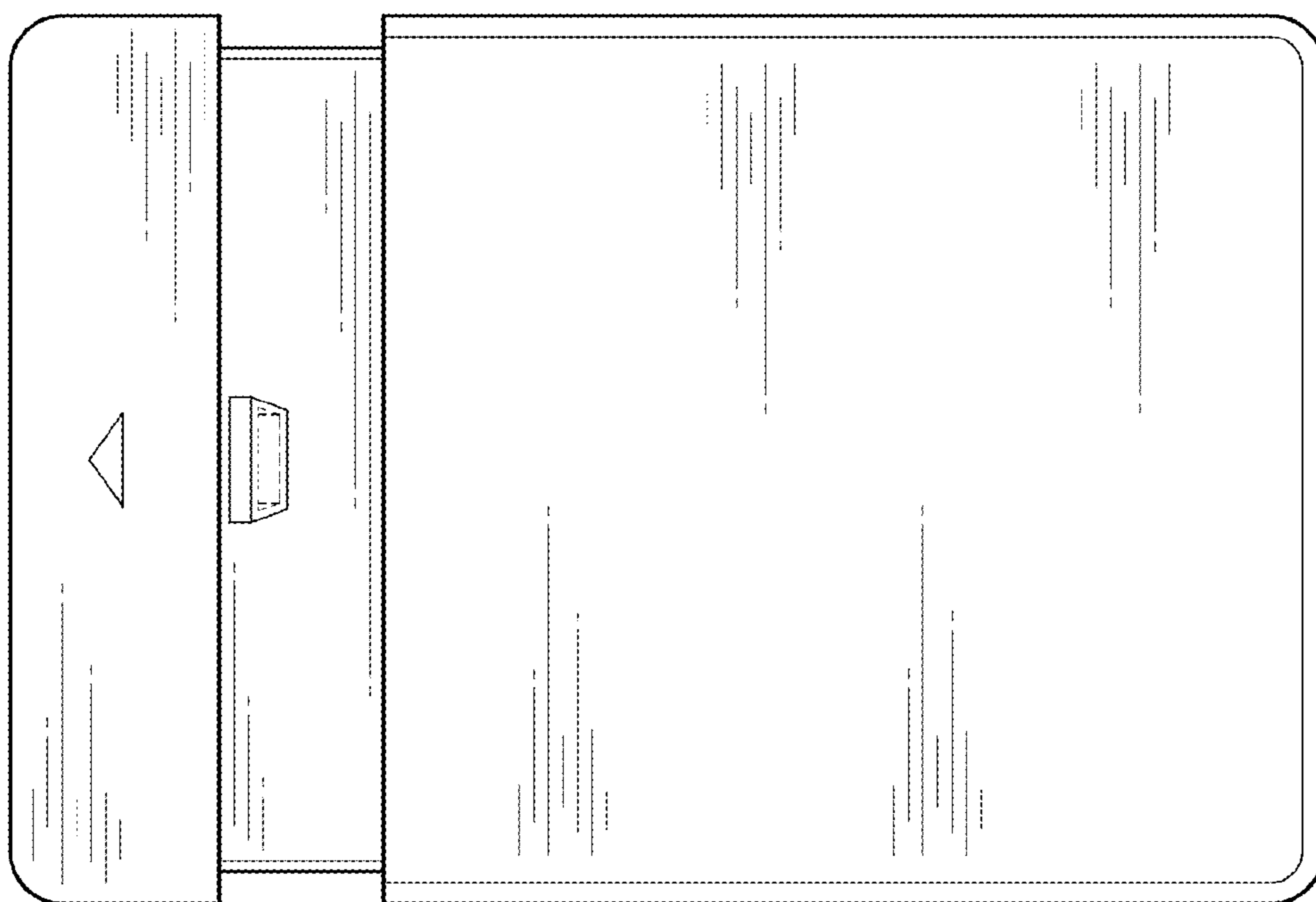


FIG. 6

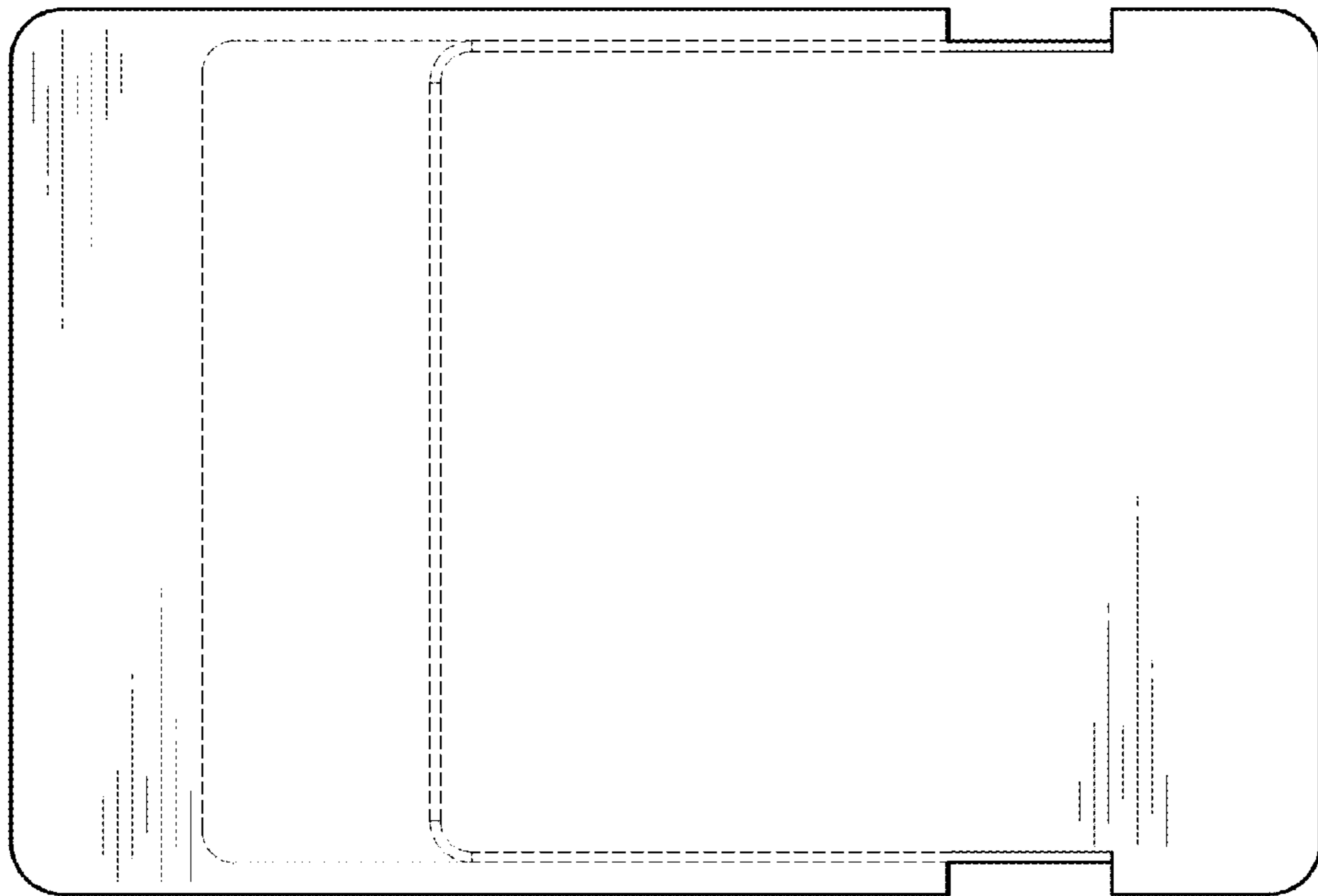


FIG. 7

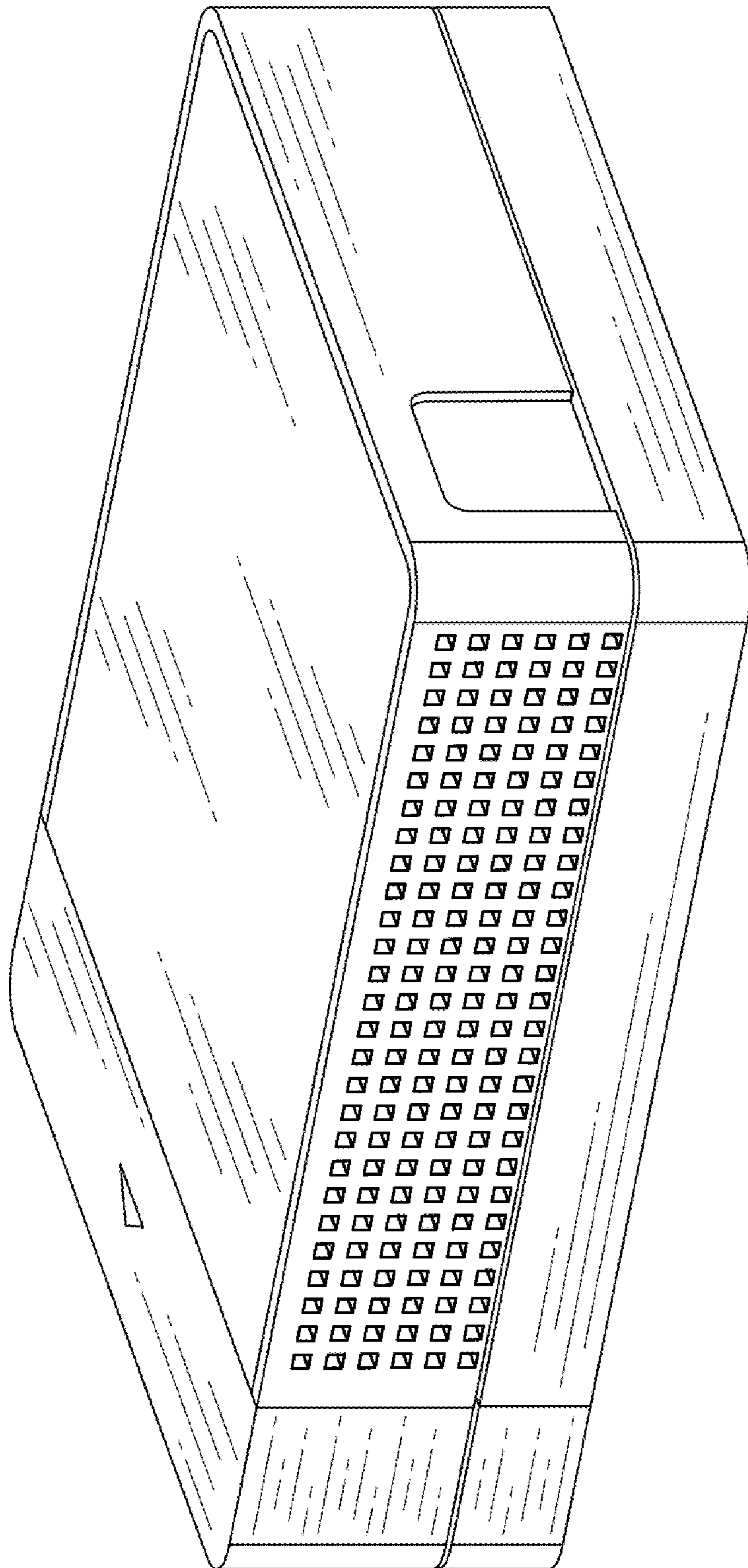


FIG. 8

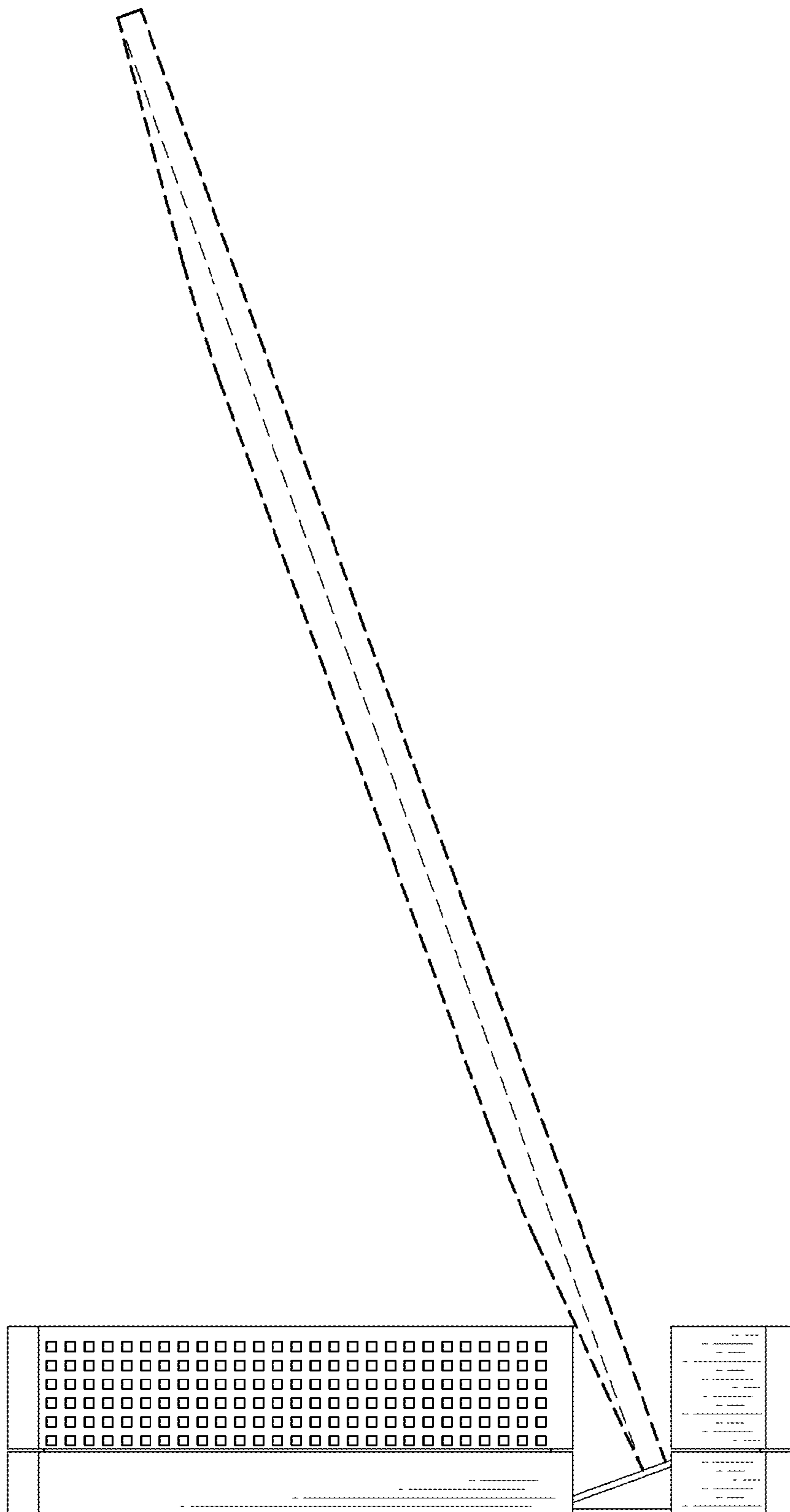


FIG. 9

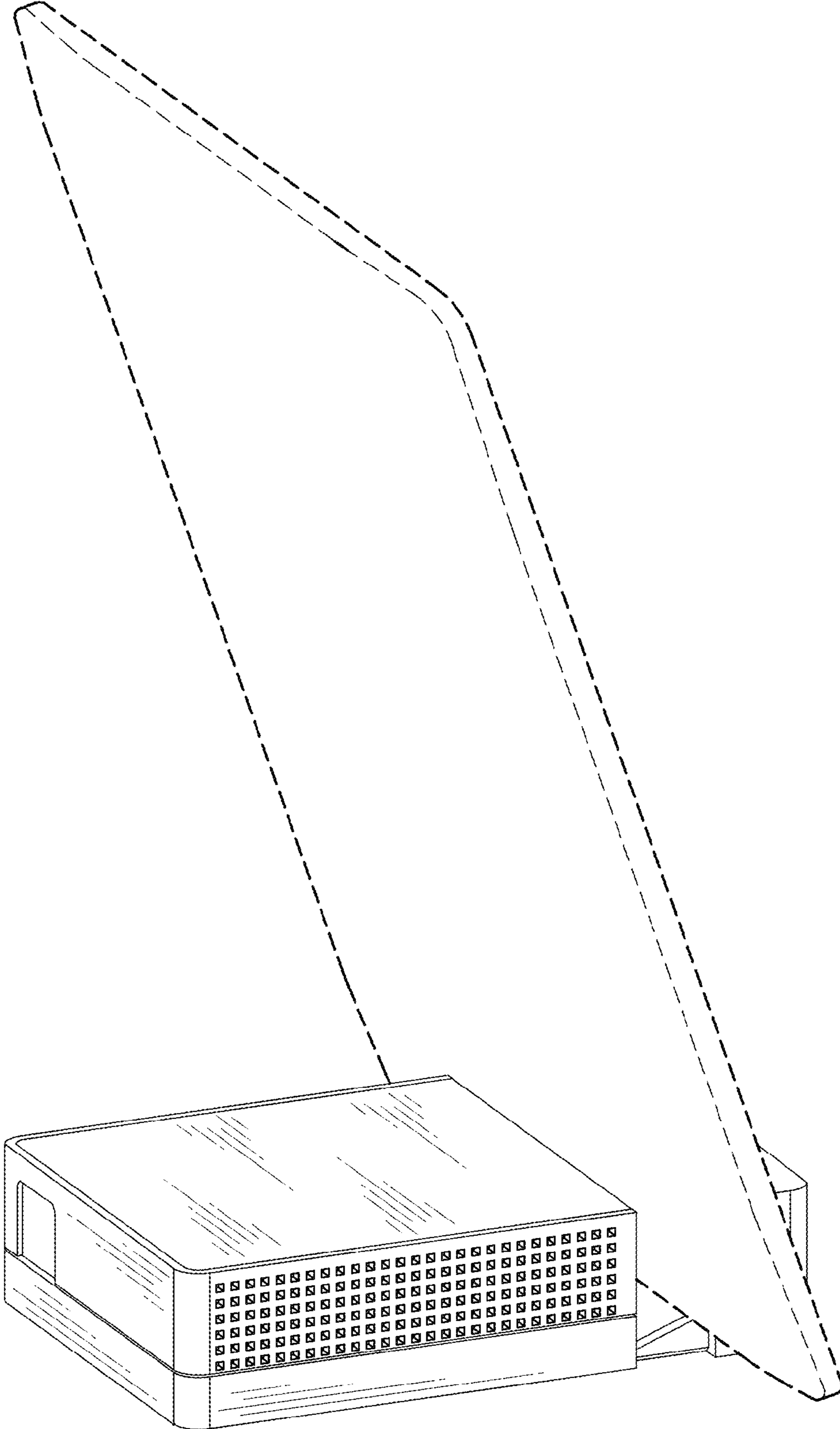


FIG. 10