

US00D678929S

(12) **United States Design Patent**
Hancock

(10) **Patent No.:** **US D678,929 S**
(45) **Date of Patent:** **** Mar. 26, 2013**

- (54) **CAMERA FOR BABY MONITOR**
- (75) Inventor: **Jessica Hancock**, Fort Erie (CA)
- (73) Assignee: **Circus World Displays Limited**,
Niagara Falls, Ontario (CA)
- (**) Term: **14 Years**
- (21) Appl. No.: **29/411,409**
- (22) Filed: **Jan. 20, 2012**
- (51) **LOC (9) Cl.** **16-01**
- (52) **U.S. Cl.** **D16/203; D16/202**
- (58) **Field of Classification Search** D16/202,
D16/203, 208, 218, 242; 248/187.1, 918;
352/243; 348/143, 373; 396/419, 427, 535,
396/540, 541
See application file for complete search history.

(56) **References Cited**

U.S. PATENT DOCUMENTS

D478,922 S *	8/2003	Han	D16/202
D573,622 S *	7/2008	Fisher et al.	D16/202
D626,983 S *	11/2010	Serge et al.	D16/202
D637,173 S *	5/2011	Elkerbout	D14/159
D647,933 S *	11/2011	Raken et al.	D16/202
D649,573 S *	11/2011	Al	D16/203

2005/0247845 A1* 11/2005 Li et al. 248/918

* cited by examiner

Primary Examiner — Adir Aronovich

(74) *Attorney, Agent, or Firm* — D. Peter Hochberg; Sean F. Mellino; Daniel J. Smola

(57) **CLAIM**

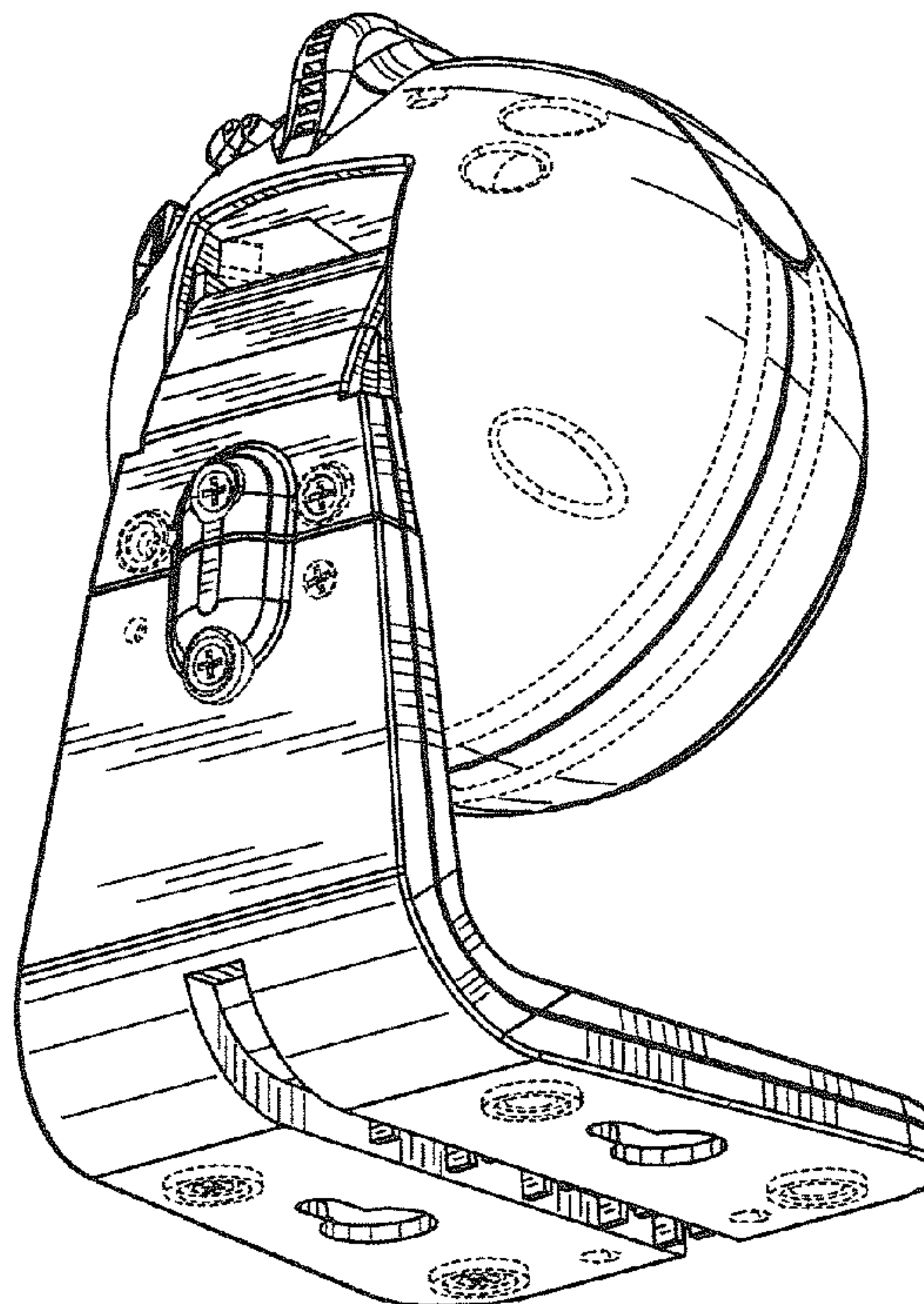
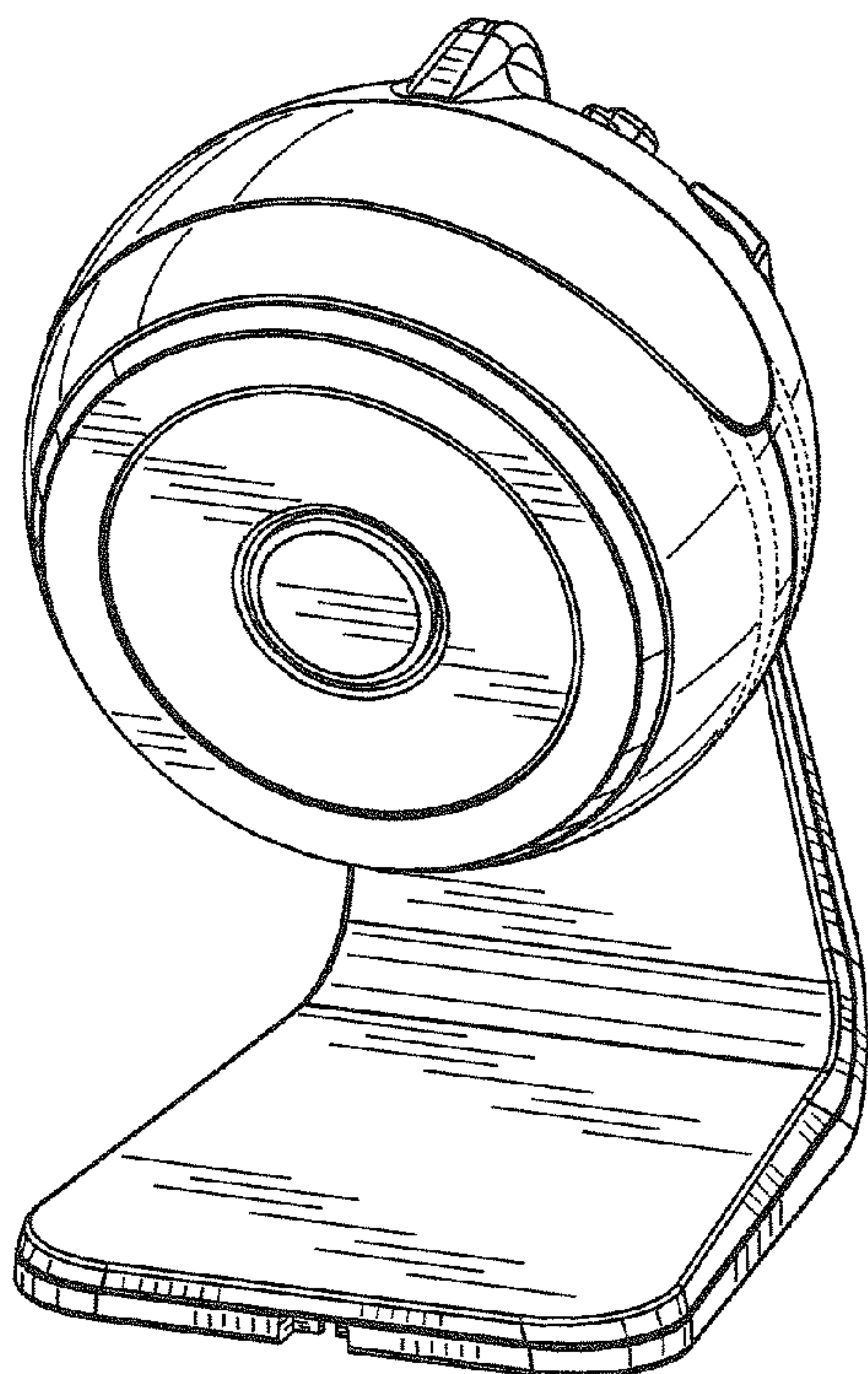
The ornamental design for a camera for a baby monitor, as shown and described.

DESCRIPTION

FIG. 1 is a top front perspective view of a camera for a baby monitor, according to my new design.
 FIG. 2 is a bottom rear perspective view thereof.
 FIG. 3 is a right side elevational view thereof;
 FIG. 4 is a front elevational view thereof;
 FIG. 5 is a left side elevational view thereof;
 FIG. 6 is a rear elevational view thereof;
 FIG. 7 is a top plan view thereof; and,
 FIG. 8 is a bottom plan view thereof.

This design is directed to a camera for a baby monitor. The broken line showing of parts of the drawings is included for the purpose of illustrating use and environment and forms no part of the claimed design.

1 Claim, 4 Drawing Sheets



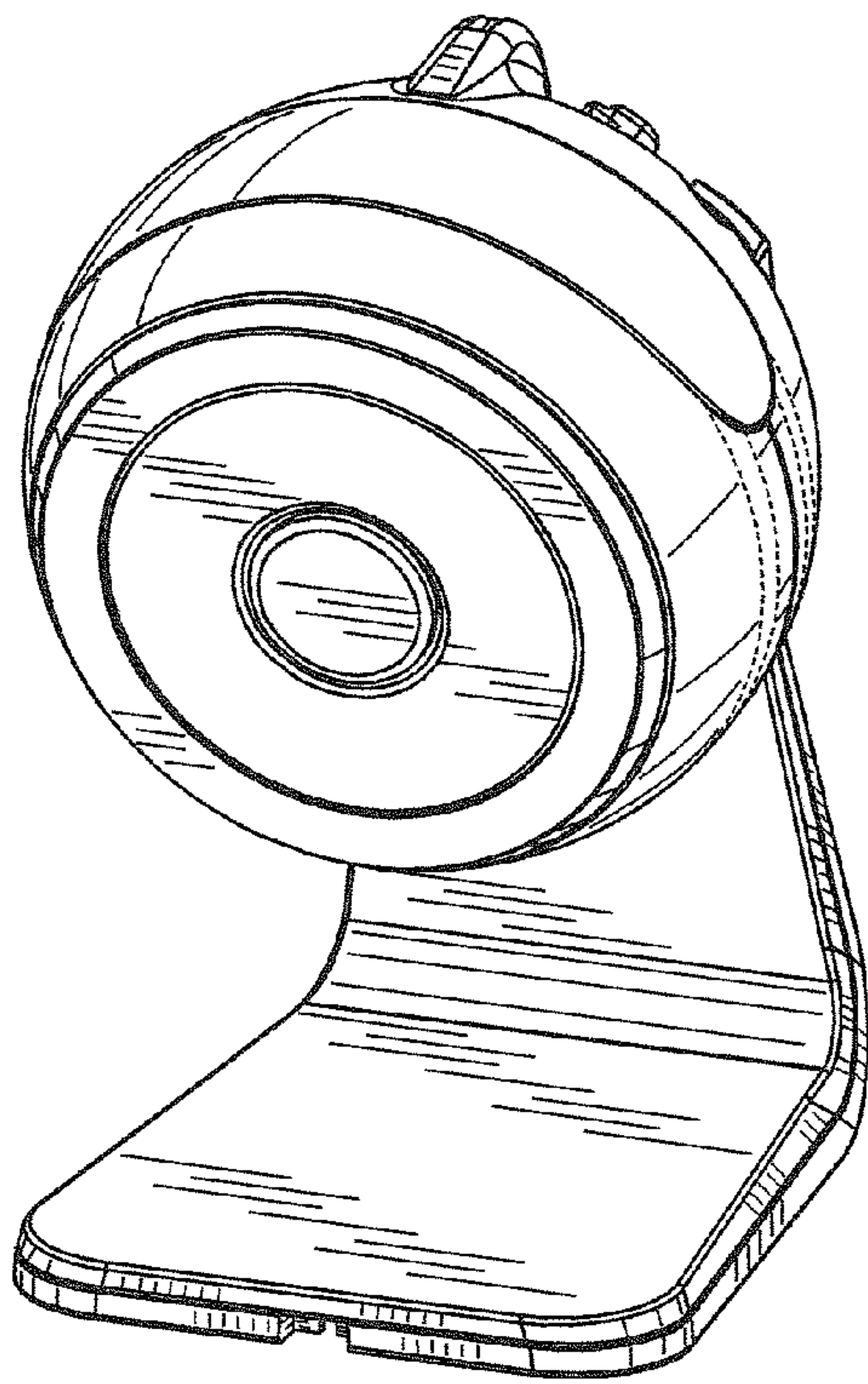


FIG. 1

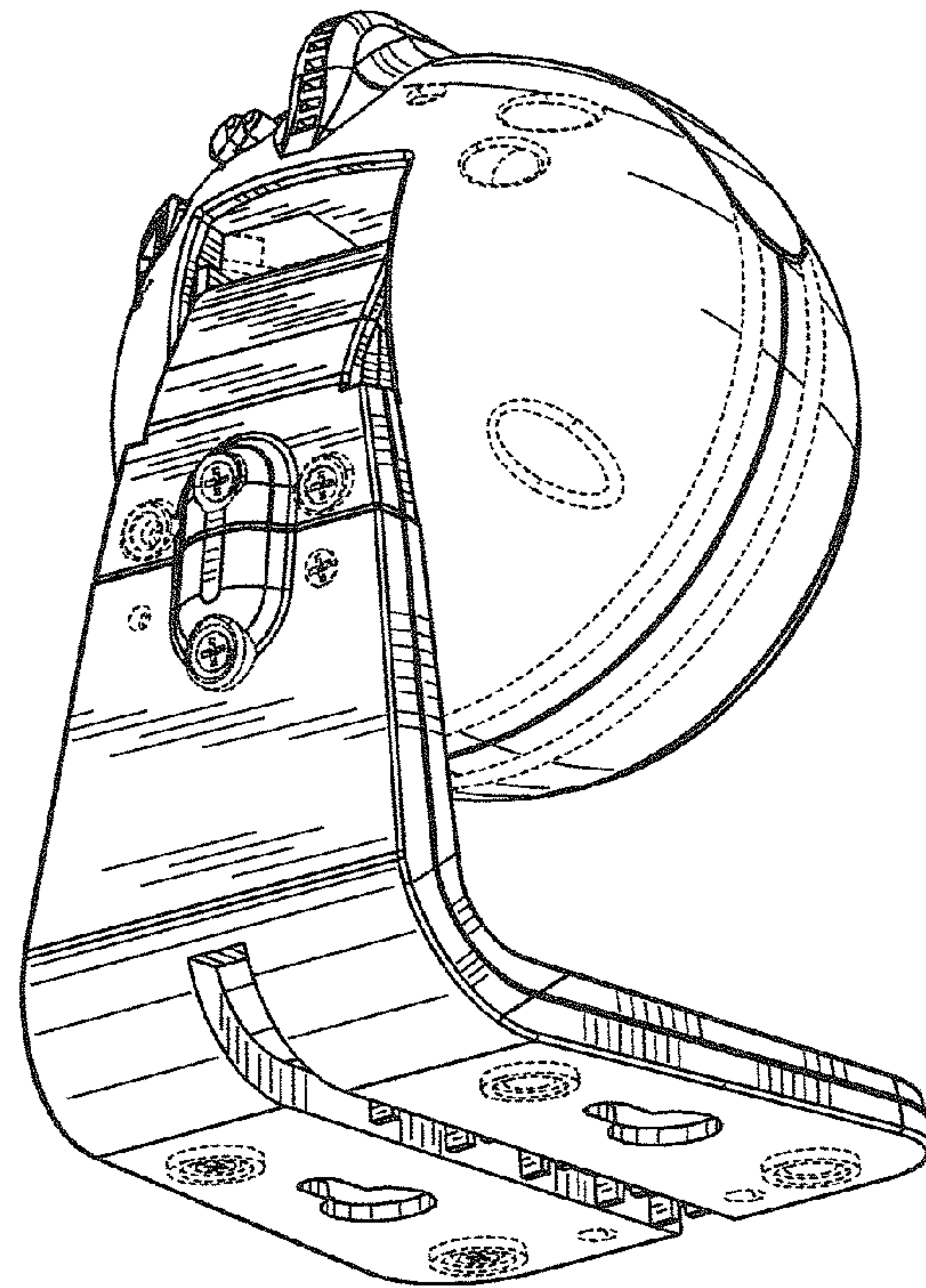


FIG. 2

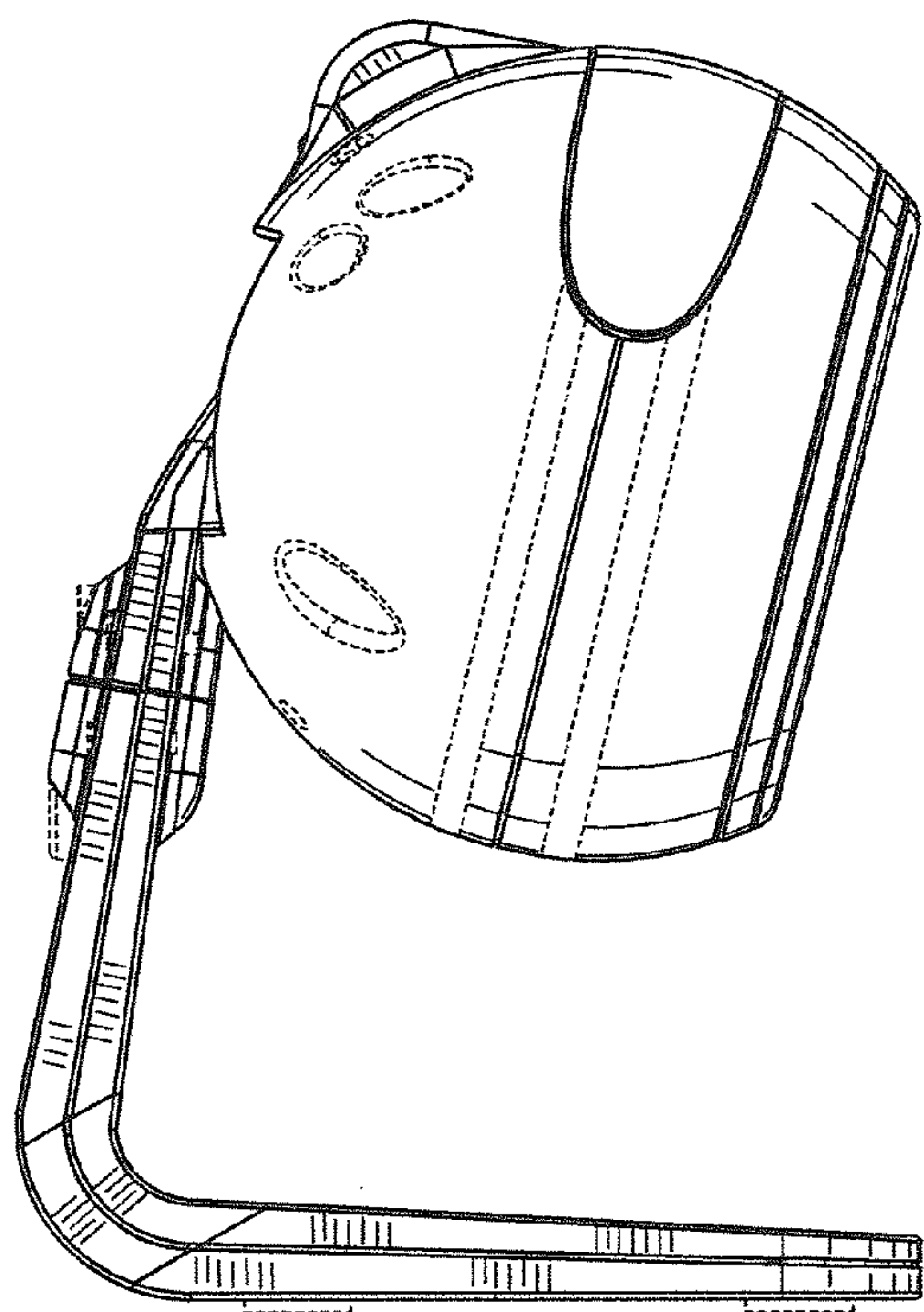


FIG. 3

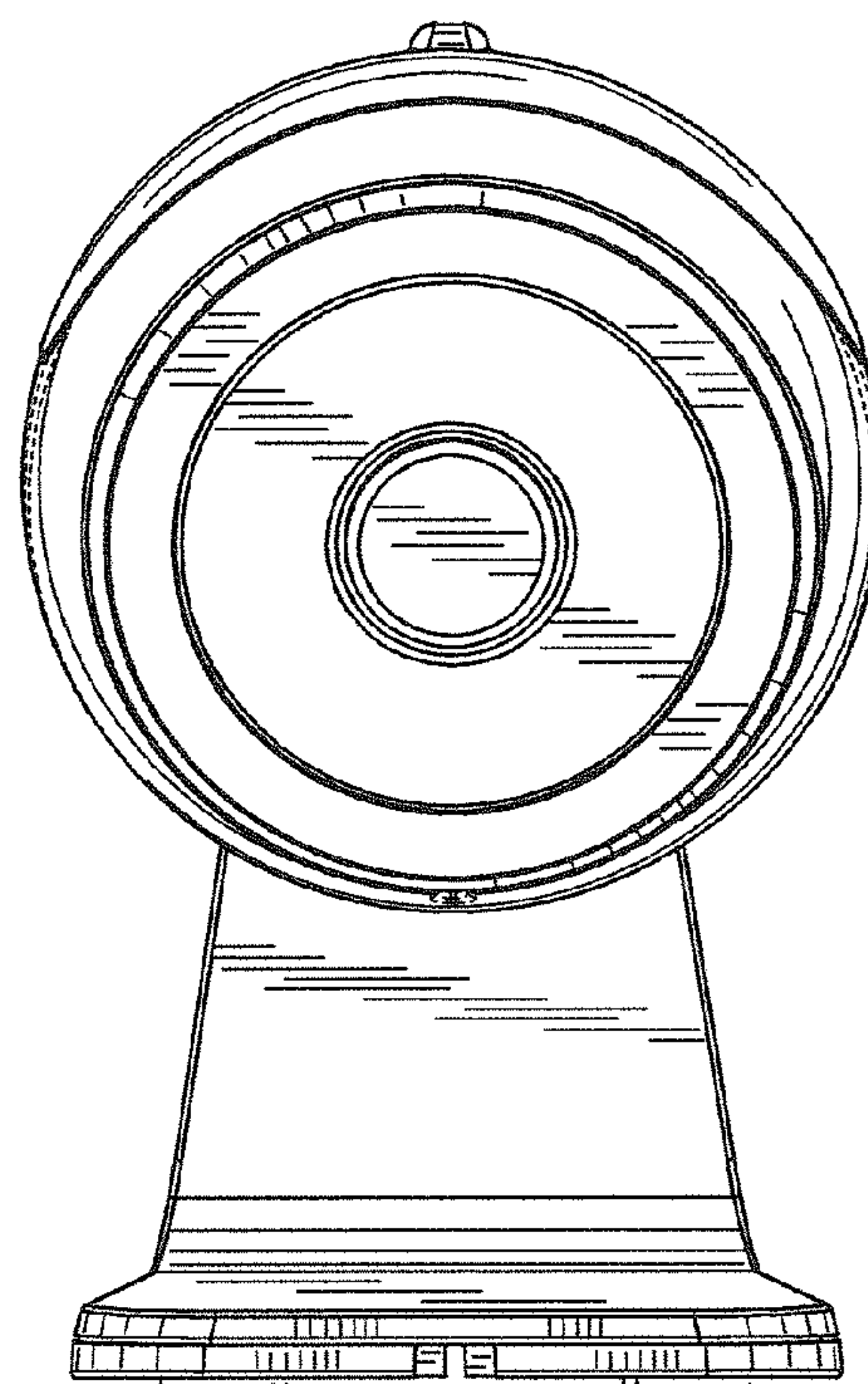


FIG. 4

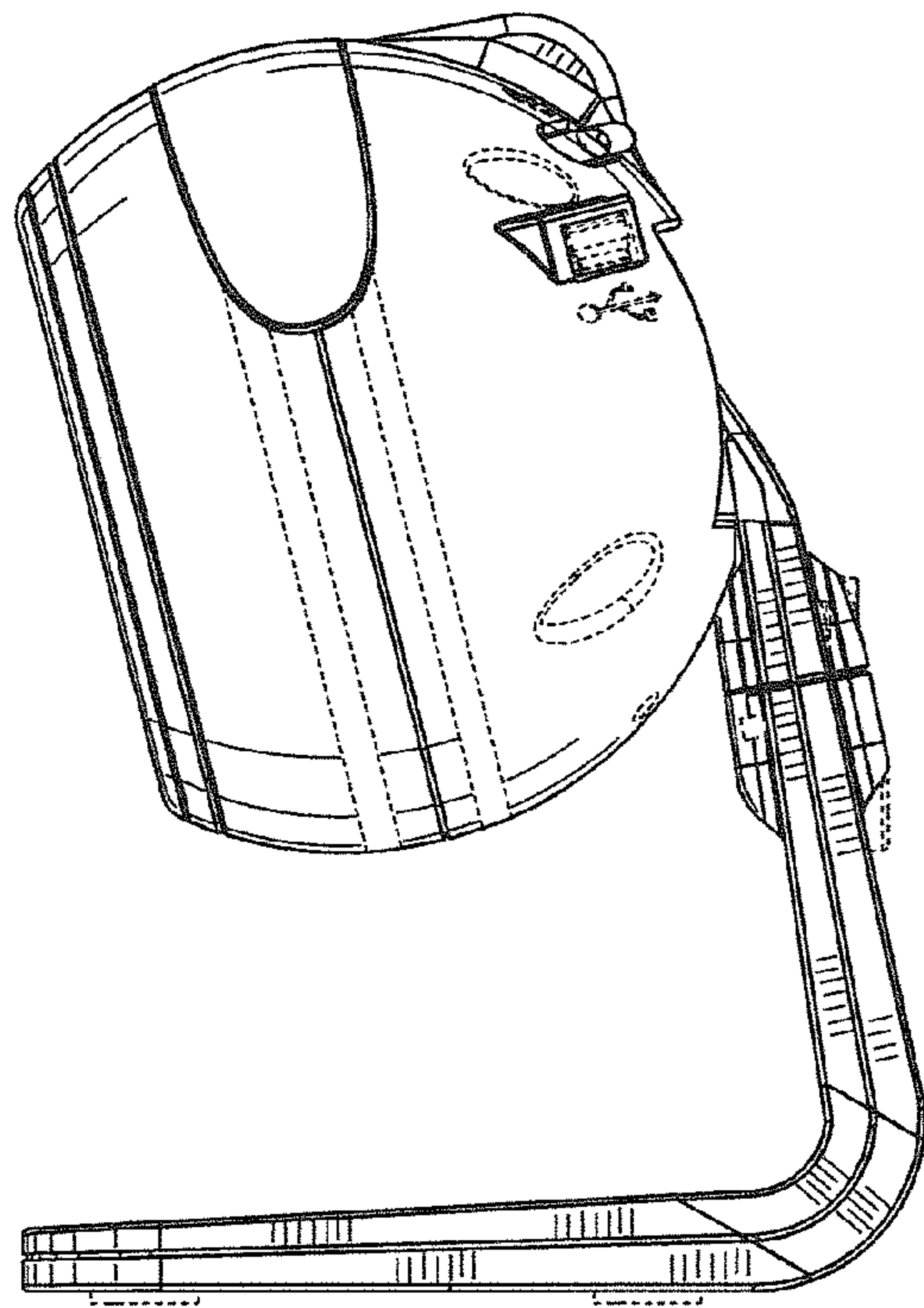


FIG. 5

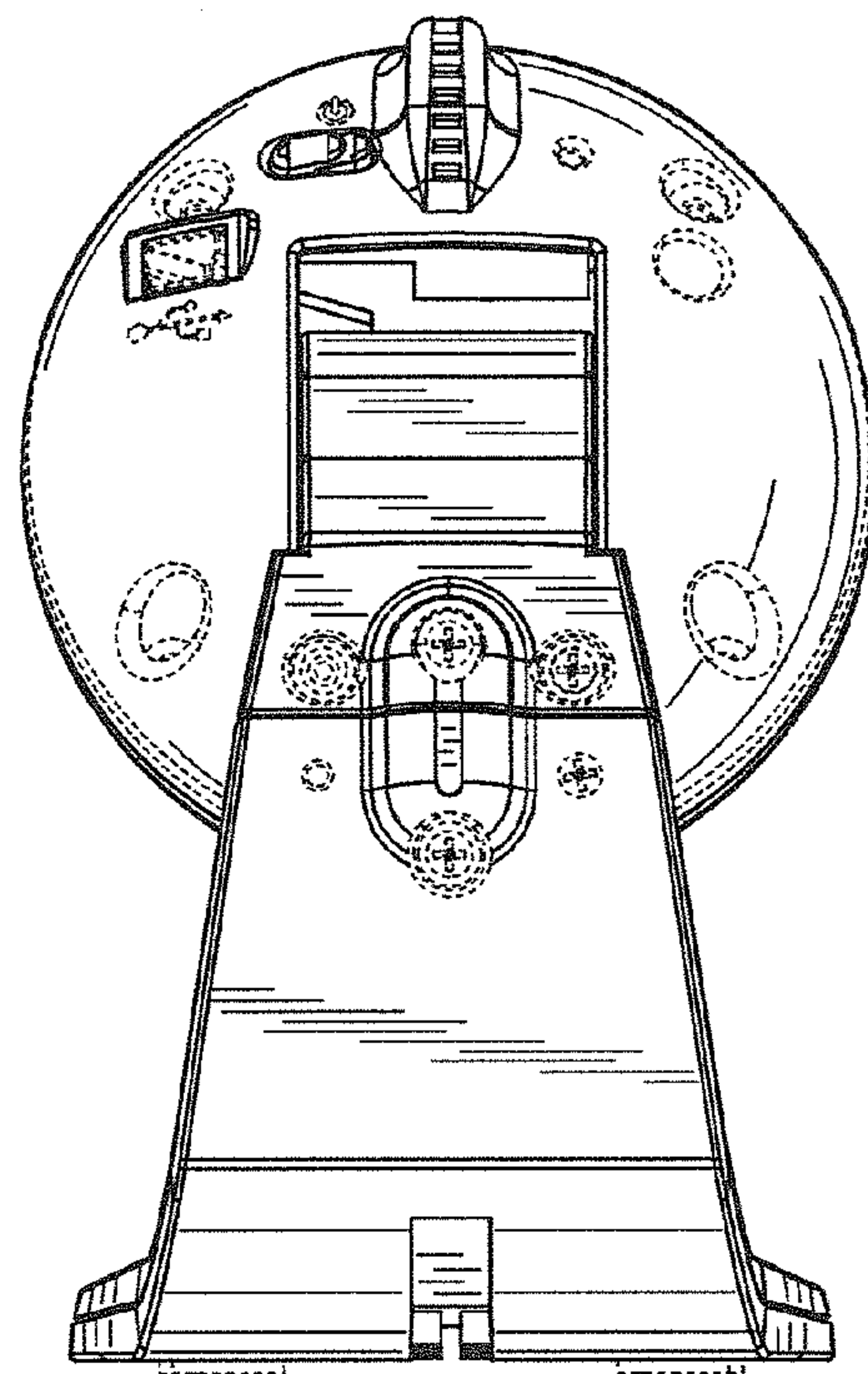


FIG. 6

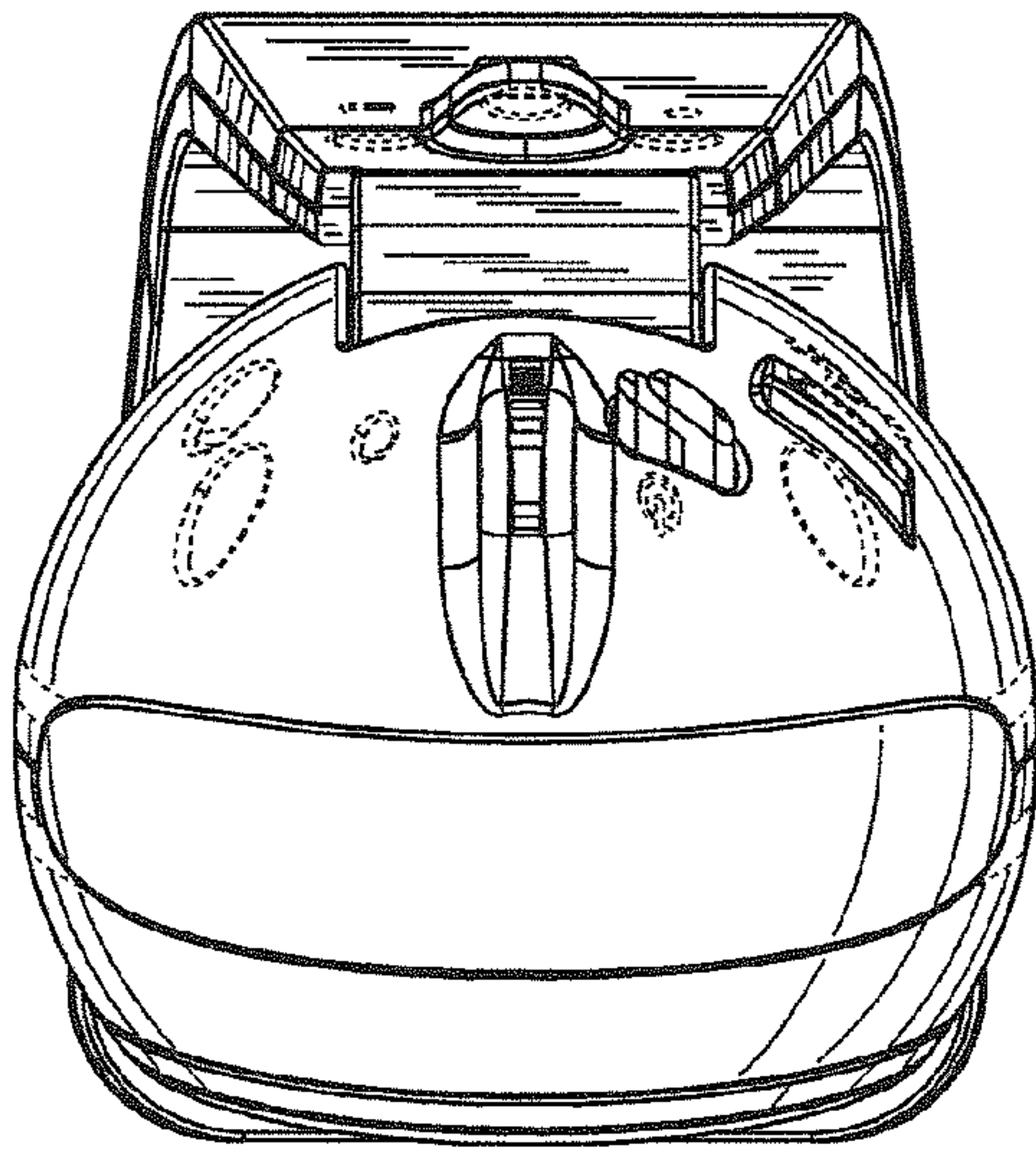


FIG. 7

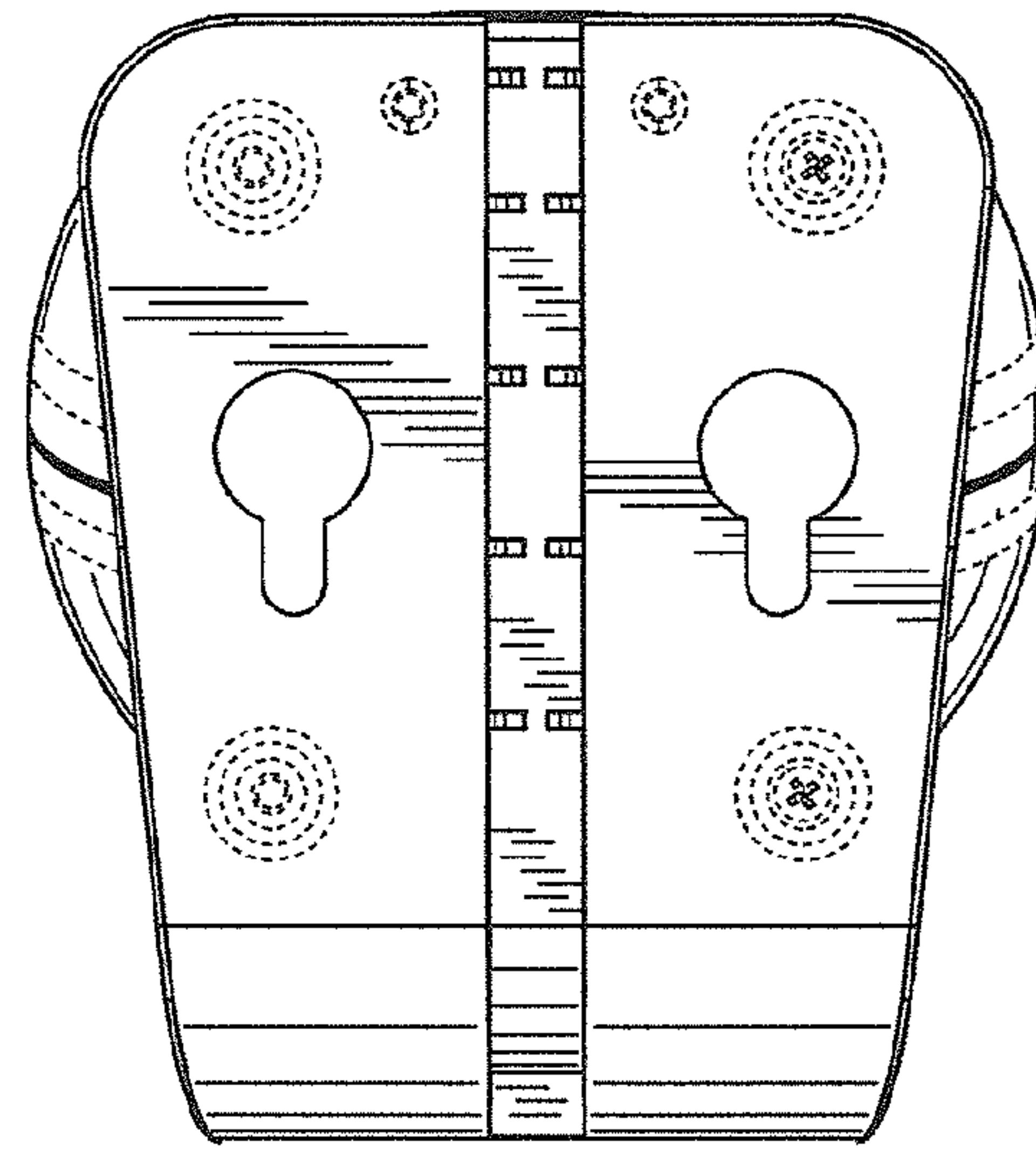


FIG. 8